



US00D667706S

(12) **United States Design Patent**
Sandford et al.

(10) **Patent No.:** **US D667,706 S**
(45) **Date of Patent:** **** Sep. 25, 2012**

(54) **FROZEN POP MAKER**

(75) Inventors: **Michael G. Sandford**, Chester, VA
(US); **Mark K. Romandy**, Midlothian,
VA (US)

(73) Assignee: **Hamilton Beach Brands, Inc.**, Glen
Allen, VA (US)

(**) Term: **14 Years**

(21) Appl. No.: **29/386,644**

(22) Filed: **Mar. 3, 2011**

(51) **LOC (9) Cl.** **07-04**

(52) **U.S. Cl.** **D7/672**

(58) **Field of Classification Search** D7/323,
D7/354, 368, 376, 543, 545-546, 549, 555,
D7/601-603, 669, 672, 677, 681, 701, 705,
D7/708; D1/103, 705; D15/82-83; D23/200;
62/340, 1; 249/92, 118-120

See application file for complete search history.

(56) **References Cited**

U.S. PATENT DOCUMENTS

1,505,592	A	8/1924	Epperson	
1,978,176	A	6/1928	Stemme	
2,288,044	A	6/1942	Stemme	
2,541,814	A	2/1951	Gaddini	
2,677,615	A	5/1953	Sueskind	
D188,386	S *	7/1960	Hukterstrum	D7/672
D188,992	S *	10/1960	Morrison	D7/672
D214,334	S *	6/1969	Kner	D7/546
3,780,536	A	12/1973	Fishman et al.	
4,239,175	A *	12/1980	Straubinger	249/92
4,352,830	A	10/1982	Billett et al.	
D269,578	S *	7/1983	Straubinger	D7/672
4,688,398	A	8/1987	Baek	
4,696,166	A	9/1987	Bukoschek et al.	
4,823,959	A *	4/1989	Bixler	206/562
D304,680	S *	11/1989	Carlson	D7/708

4,992,283	A	2/1991	Shorey	
D320,552	S *	10/1991	Chanel	D9/757
D332,727	S	1/1993	Kupperman	
5,354,191	A *	10/1994	Bobis	425/118
5,770,250	A	6/1998	Smith	
5,829,344	A	11/1998	Lande	
6,301,919	B1	10/2001	Blaustein et al.	
D478,860	S *	8/2003	Young	D12/419
D613,132	S *	4/2010	Frank	D7/672
D613,566	S *	4/2010	Chapman et al.	D7/672
D626,384	S	11/2010	Zorovich	
D634,988	S	3/2011	Zorovich	
D642,022	S *	7/2011	Zorovich et al.	D7/672
8,057,207	B2 *	11/2011	Zorovich et al.	425/117

OTHER PUBLICATIONS

“SICLE Trademark Family” see trademark disclaimer at bottom of page, Popsicle Website, Unilever United States, Retrieved Feb. 2, 2012. <<http://www.popsicle.com/SICLE-Trademark-Family.aspx>>.*

* cited by examiner

Primary Examiner — Dana L Meyrow

(74) *Attorney, Agent, or Firm* — Alexander D. Raring

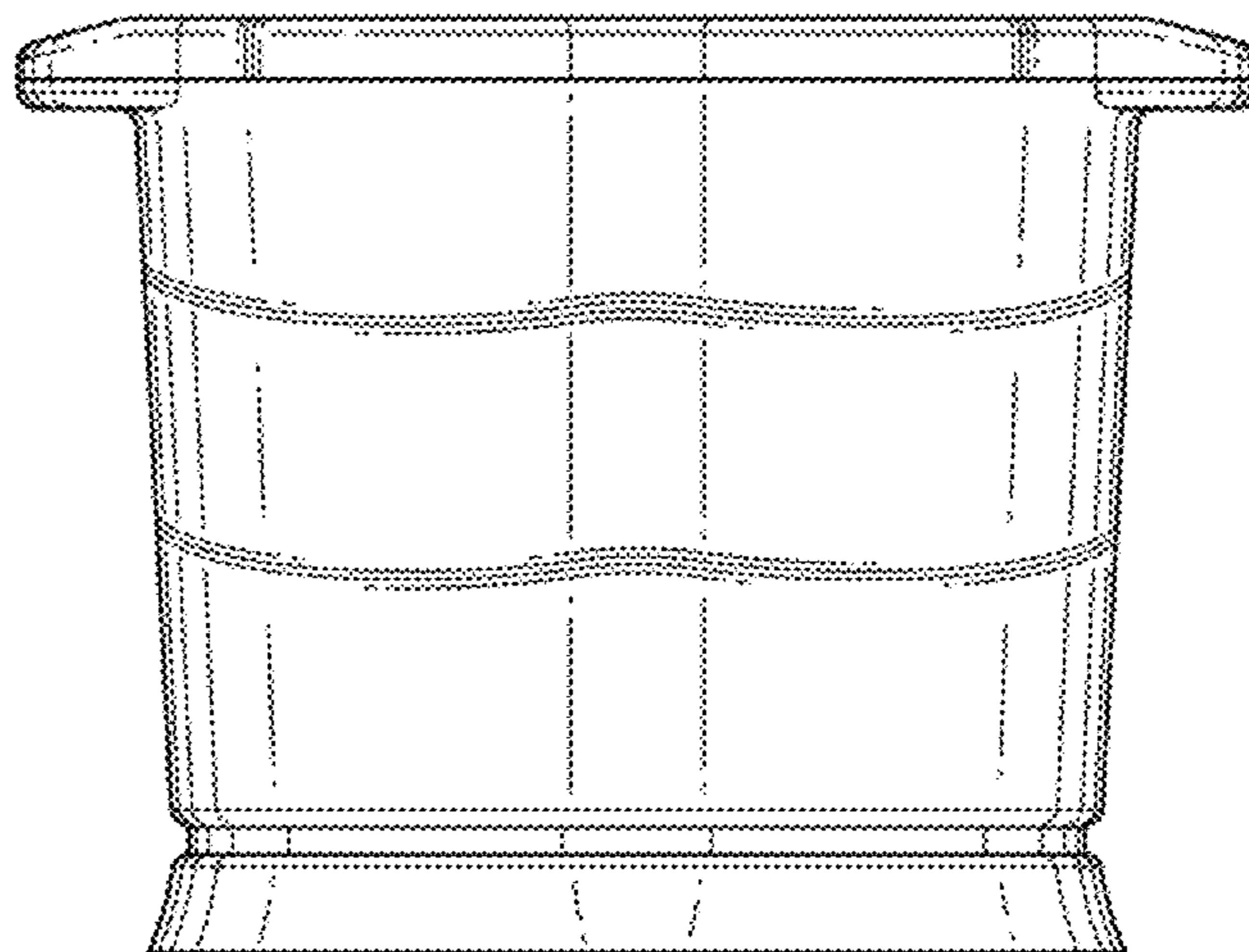
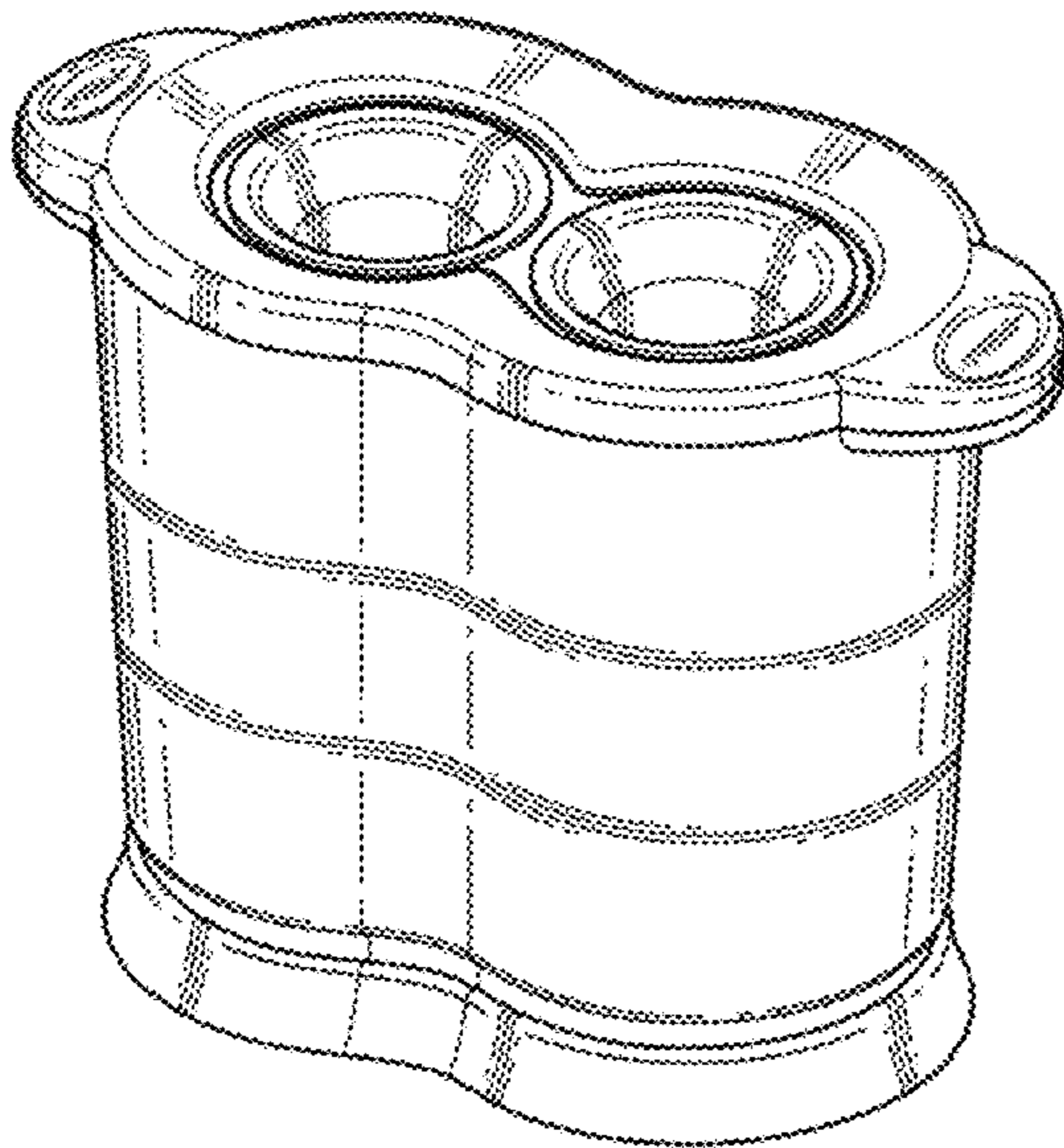
(57) **CLAIM**

The ornamental design for a frozen pop maker, as shown and described.

DESCRIPTION

FIG. 1 is a perspective view as seen from the top, front and right side of a frozen pop maker showing the new design; FIG. 2 is a front view thereof, the front and rear view being mirror images; FIG. 3 is a right side view thereof, the right and left side views being mirror images; and, FIG. 4 is a top view thereof. The broken lines in the drawings illustrate the portions of the design that form no part of the claim.

1 Claim, 4 Drawing Sheets



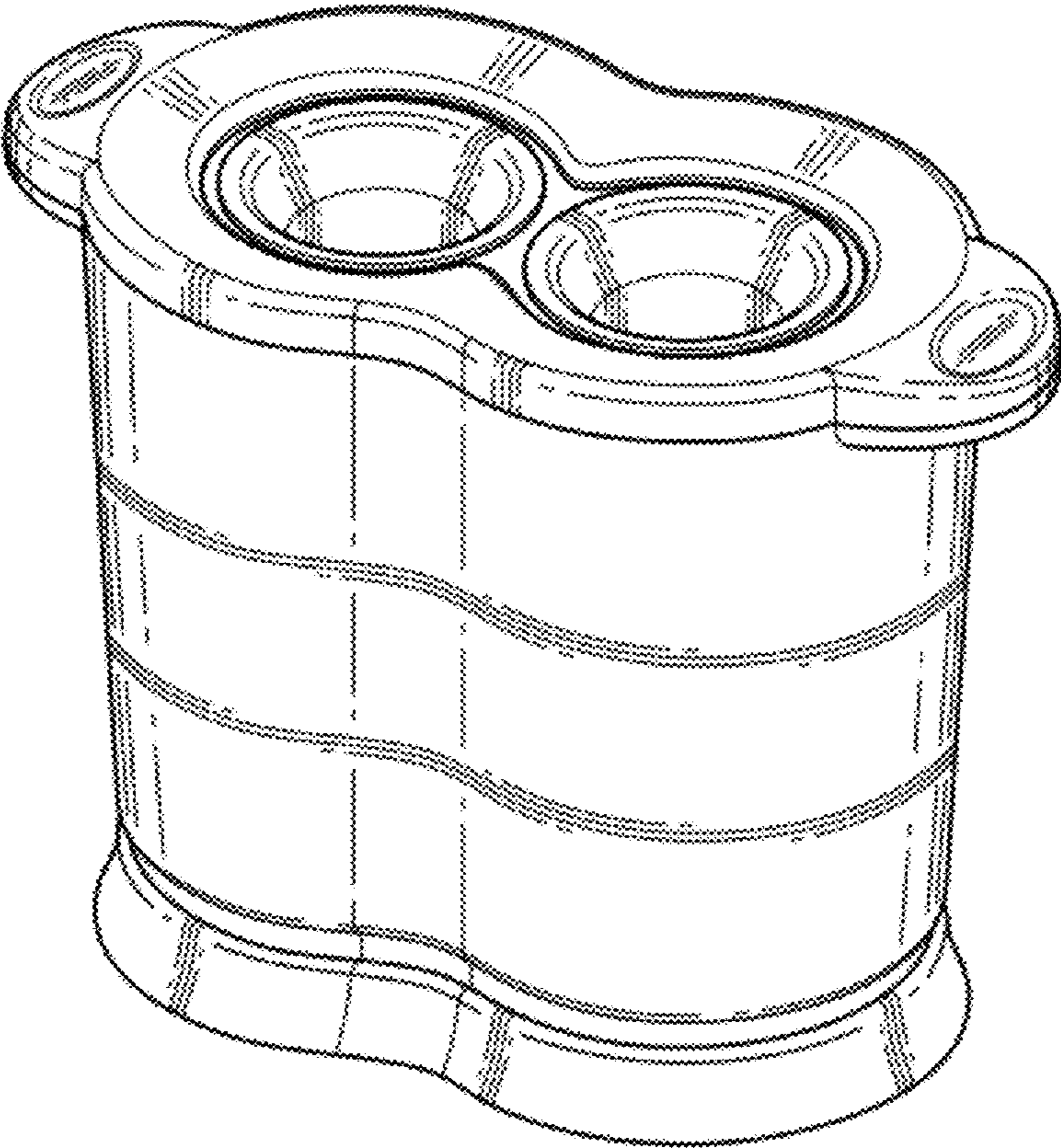


FIG. 1

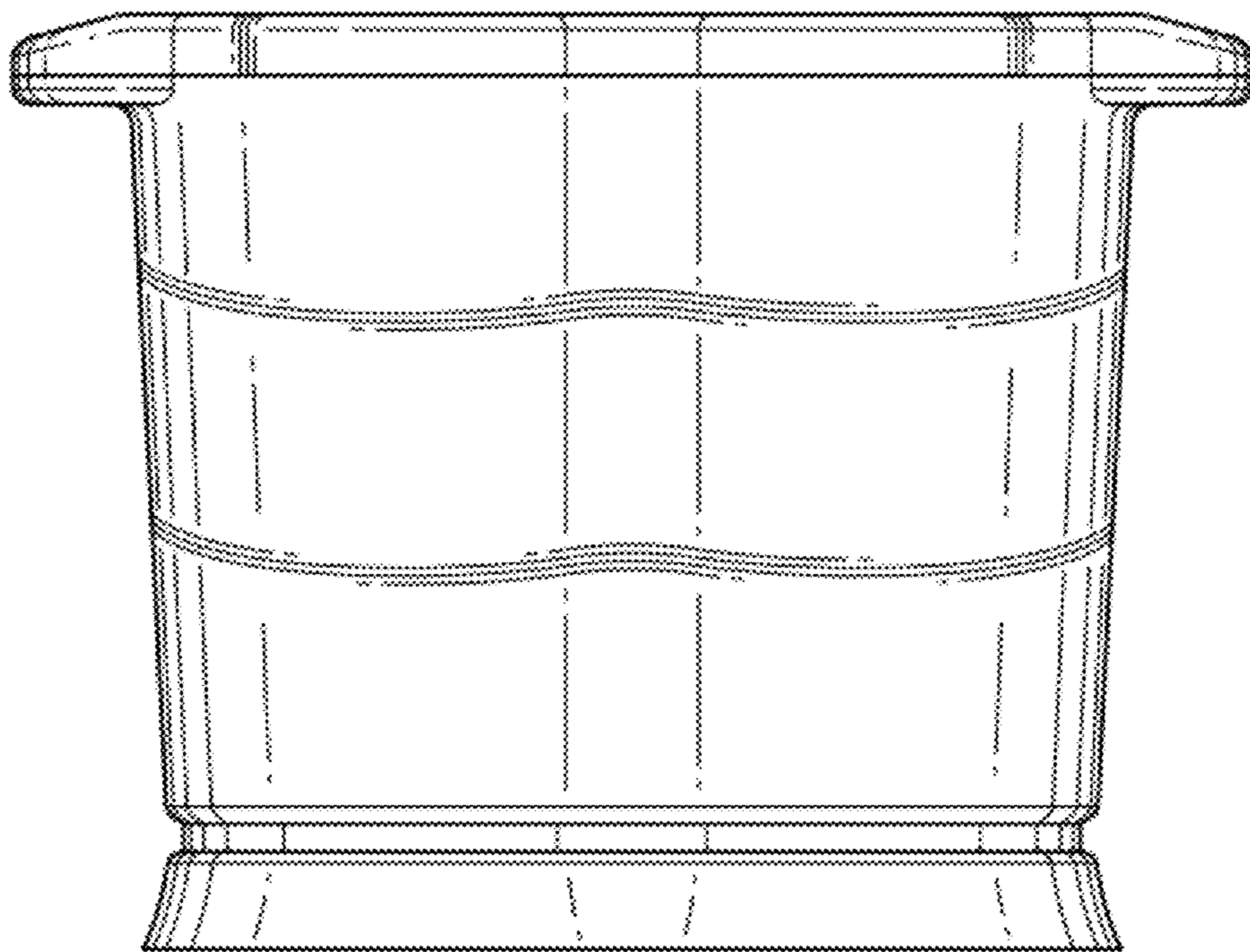


FIG. 2

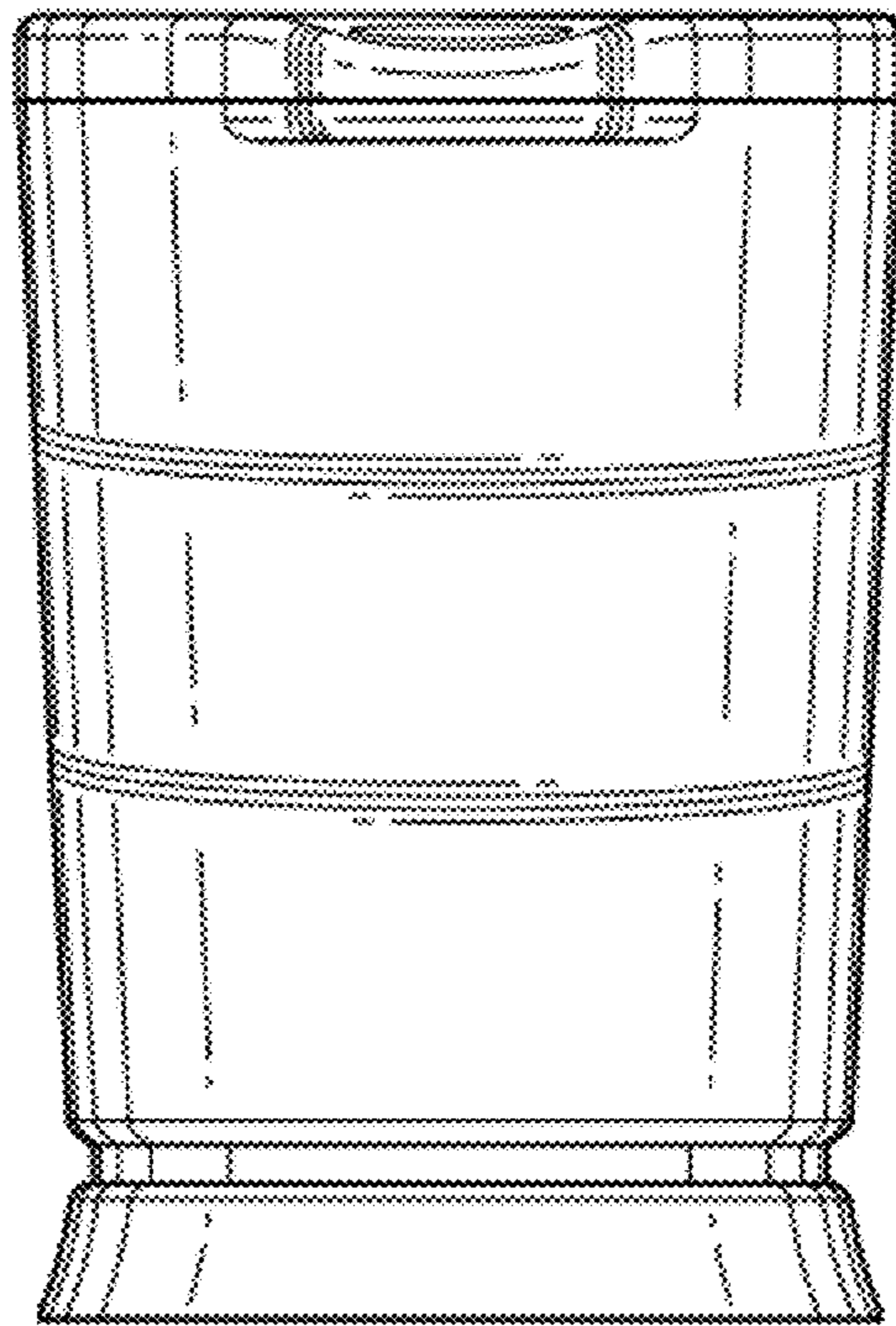


FIG. 3

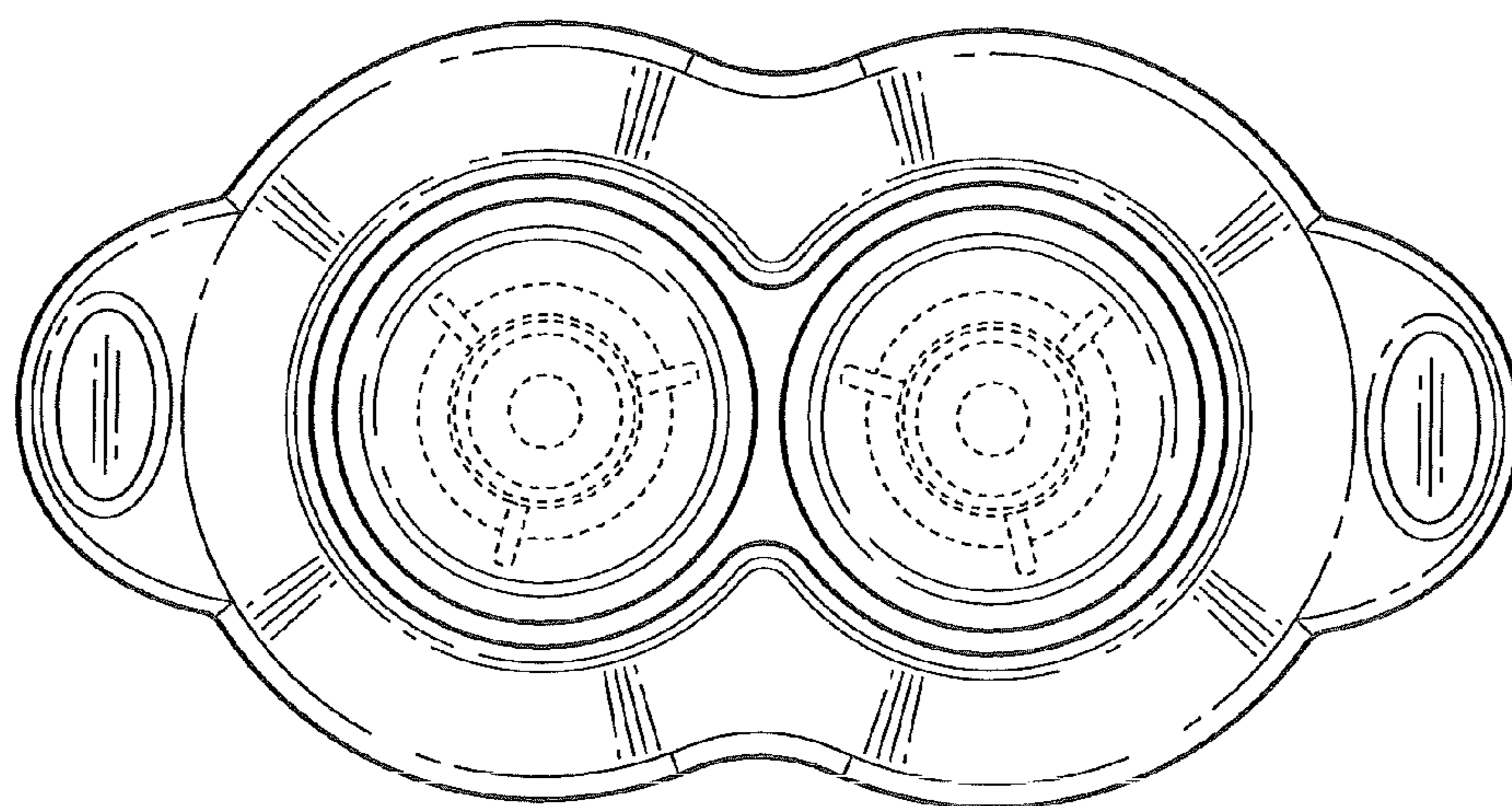


FIG. 4