

US00D667705S

(12) **United States Design Patent**  
**Maiman et al.**

(10) **Patent No.:** **US D667,705 S**

(45) **Date of Patent:** **\*\* Sep. 25, 2012**

(54) **COLANDER**

(75) Inventors: **Tyler Ian Maiman**, Melville, NY (US);  
**Sid Ramnarace**, Rockaway Beach, NY (US)

(73) Assignee: **Lifetime Brands, Inc.**, Garden City, NY (US)

(\*\*) Term: **14 Years**

(21) Appl. No.: **29/414,474**

(22) Filed: **Feb. 29, 2012**

(51) **LOC (9) Cl.** ..... **07-04**

(52) **U.S. Cl.** ..... **D7/667**

(58) **Field of Classification Search** ..... D7/667,  
D7/668, 400; 99/495, 490, 505-510; 100/113,  
100/110, 116, 127, 213, 248; 210/464, 470-478,  
210/497.1, 498, 499

See application file for complete search history.

(56) **References Cited**

U.S. PATENT DOCUMENTS

3,300,048 A \* 1/1967 Pollock ..... 210/470  
D379,289 S \* 5/1997 Jeppesen et al. .... D7/667

D440,127 S \* 4/2001 Young et al. .... D7/667

\* cited by examiner

*Primary Examiner* — Terry Wallace

(74) *Attorney, Agent, or Firm* — Ryan A. Schneider, Esq.;  
Troutman Sanders LLP

(57) **CLAIM**

The ornamental design for a colander, as shown and described.

**DESCRIPTION**

FIG. 1 is an upper side perspective view of the colander of the present invention;

FIG. 2 is a lower side perspective view of the colander of FIG. 1;

FIG. 3 is a top plan view of the colander of FIG. 1;

FIG. 4 is a side elevation view of the colander of FIG. 1;

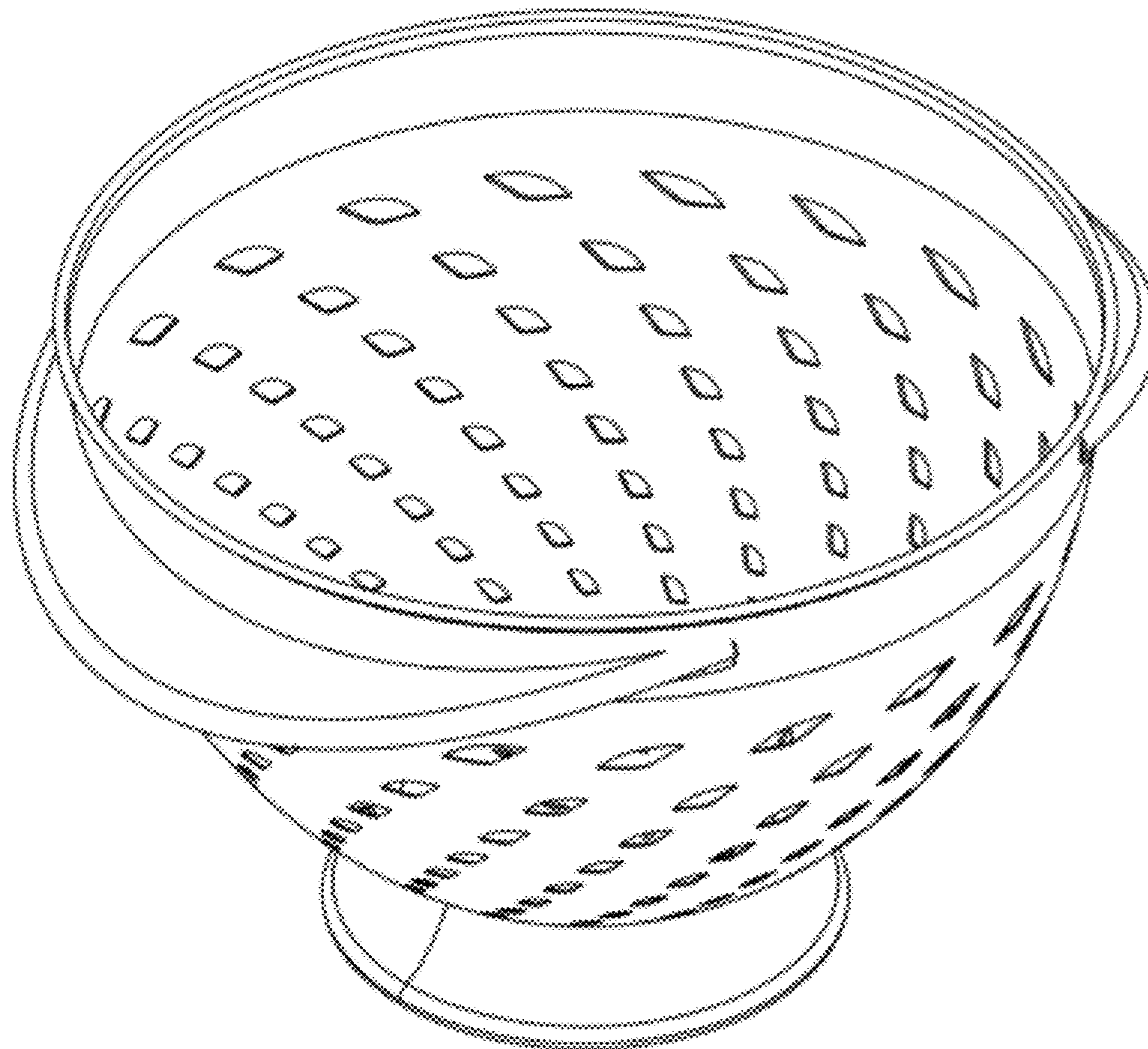
FIG. 5 is a bottom plan view of the colander of FIG. 1;

FIG. 6 is an end view of the colander of FIG. 1; and

FIG. 7 is the other side elevation view of the colander of FIG. 1; and,

FIG. 8 is an opposite end view of the colander of FIG. 1.

**1 Claim, 4 Drawing Sheets**



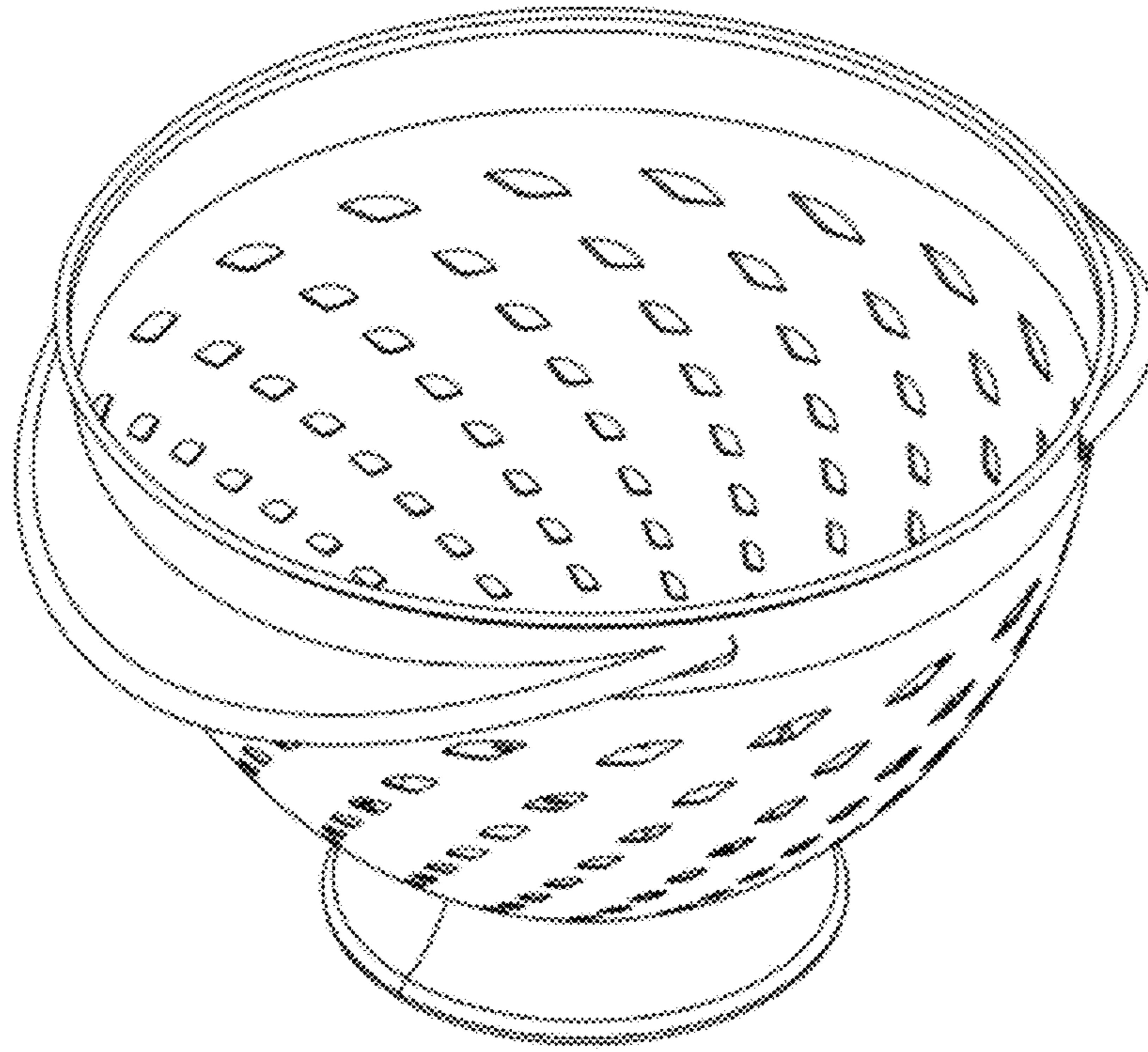


FIG. 1

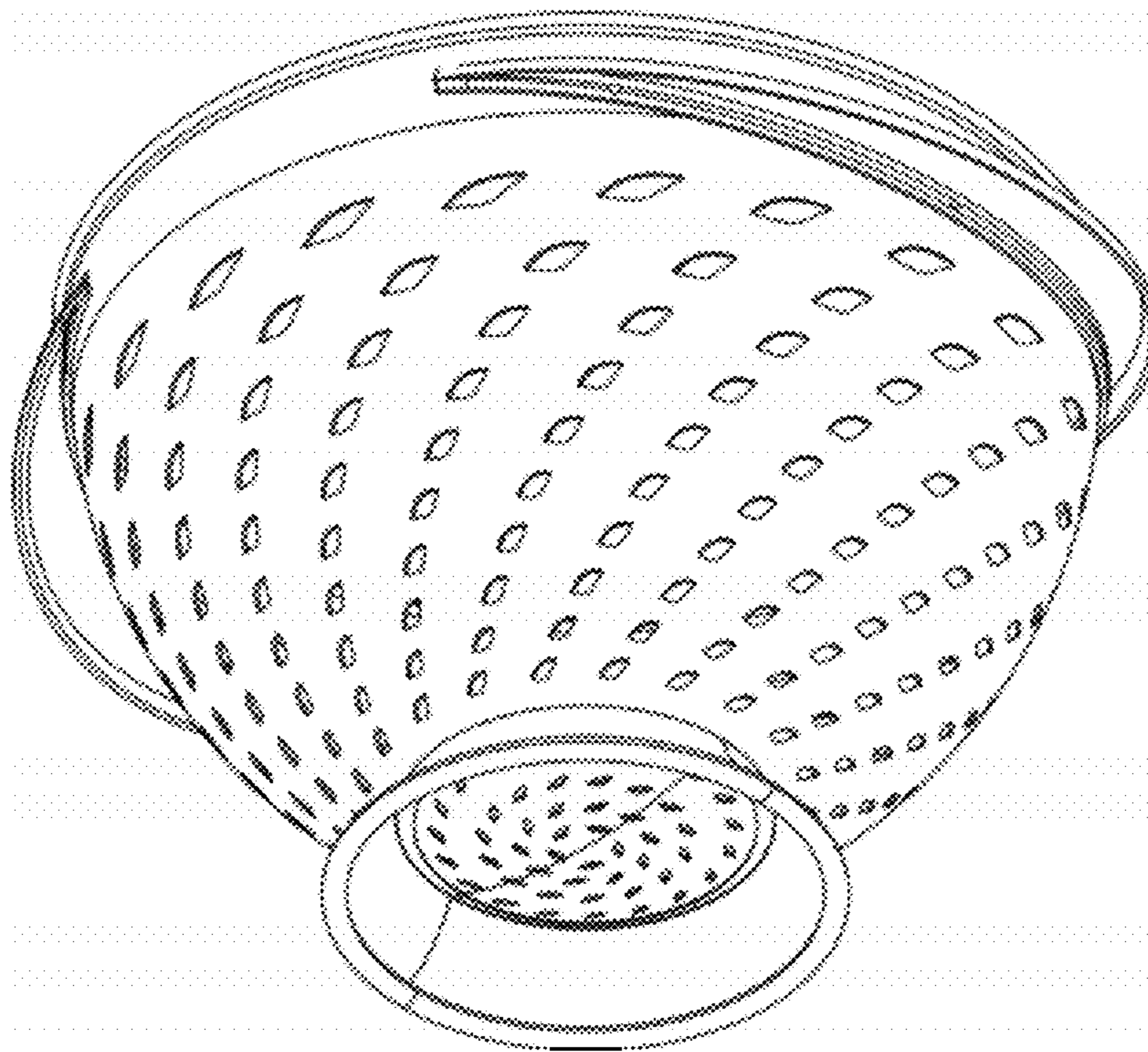


FIG. 2

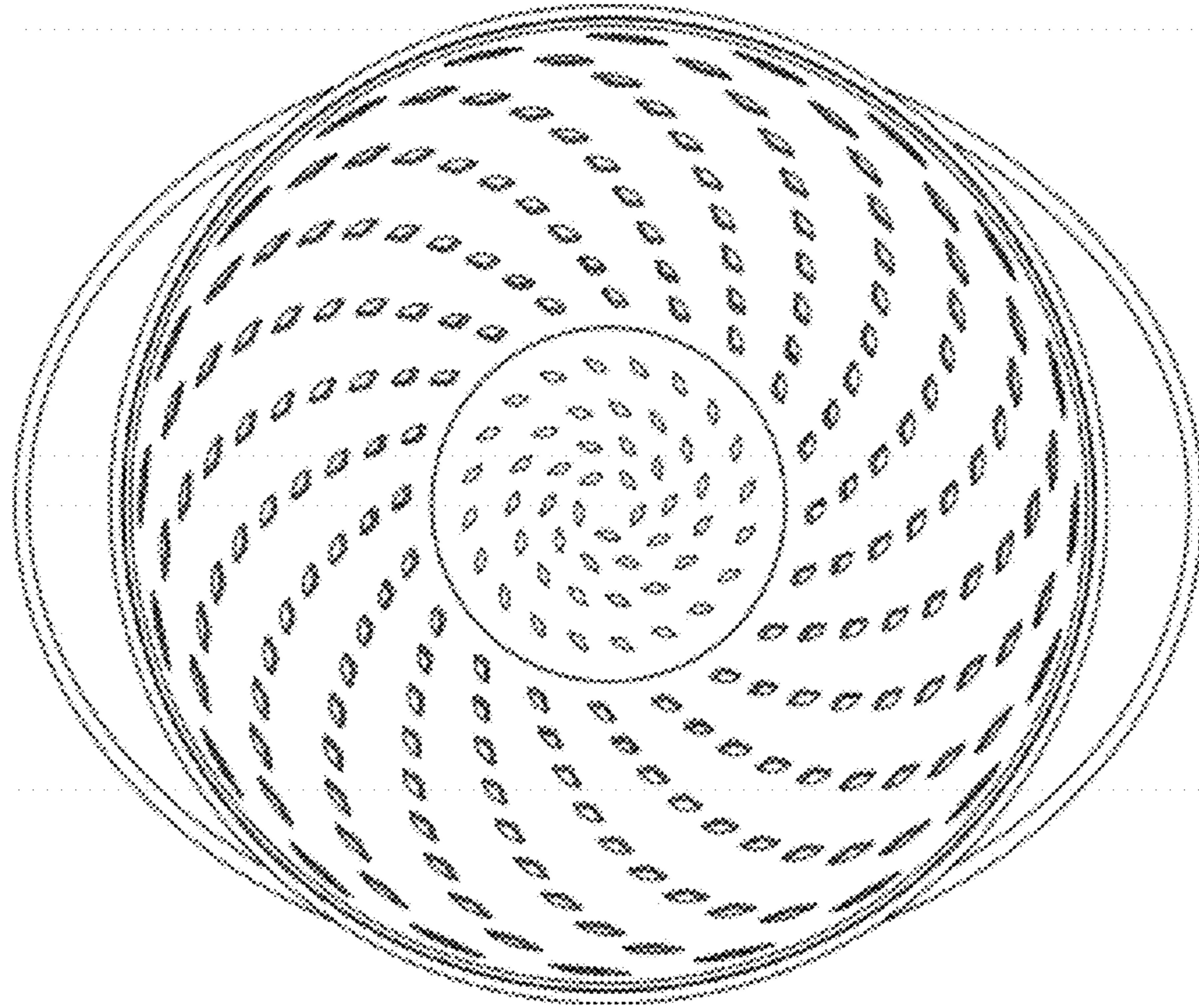


FIG. 3

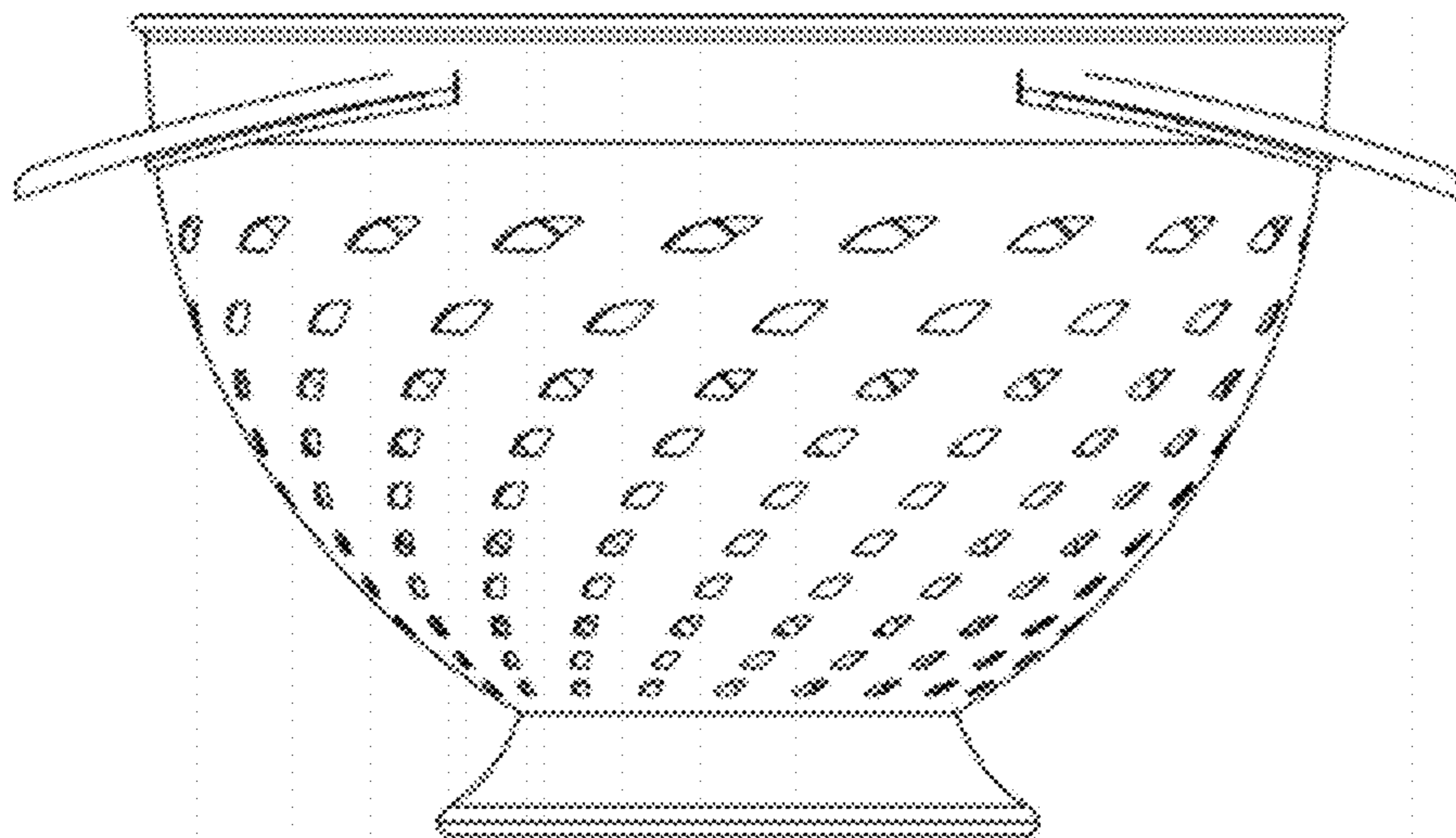
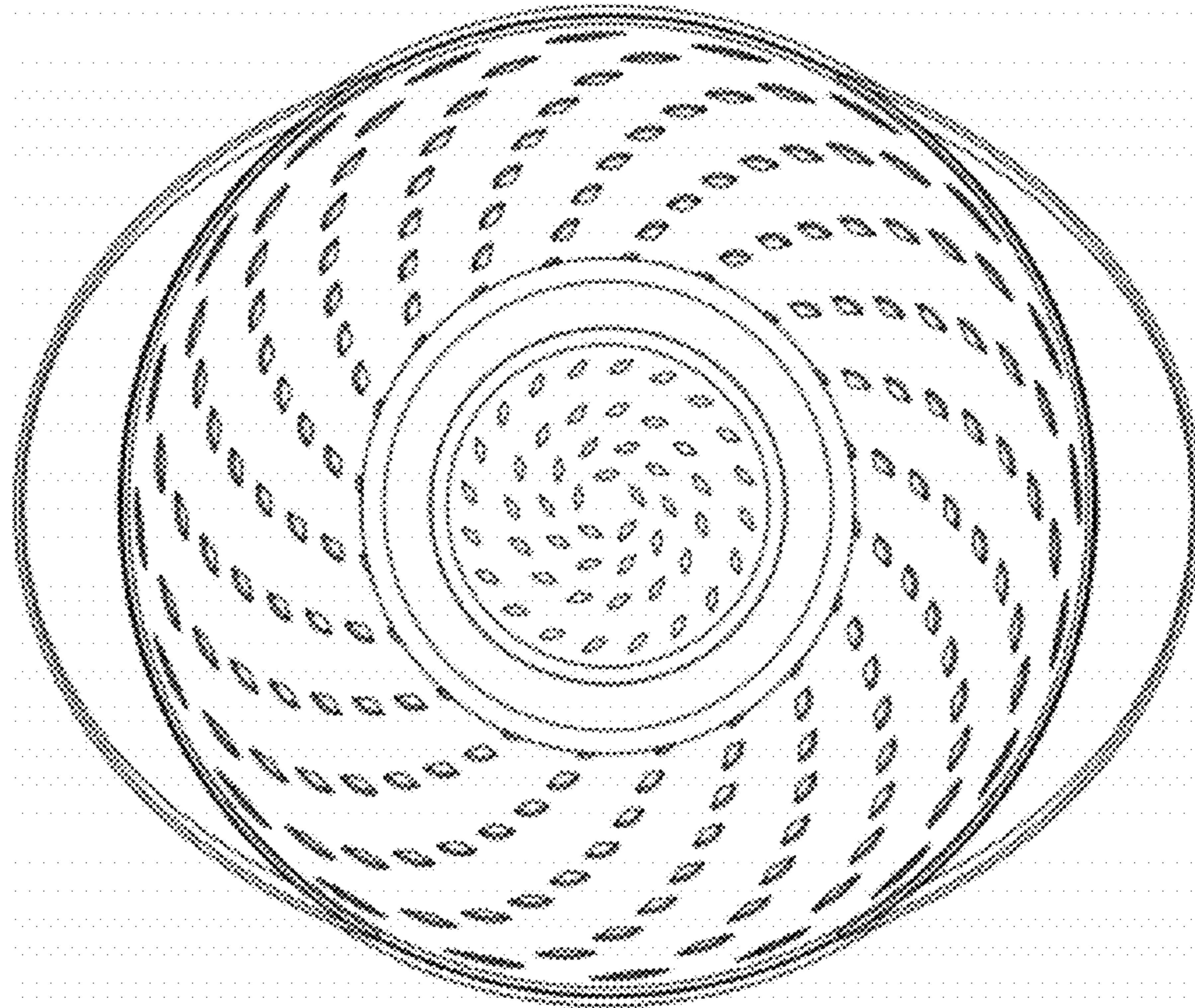
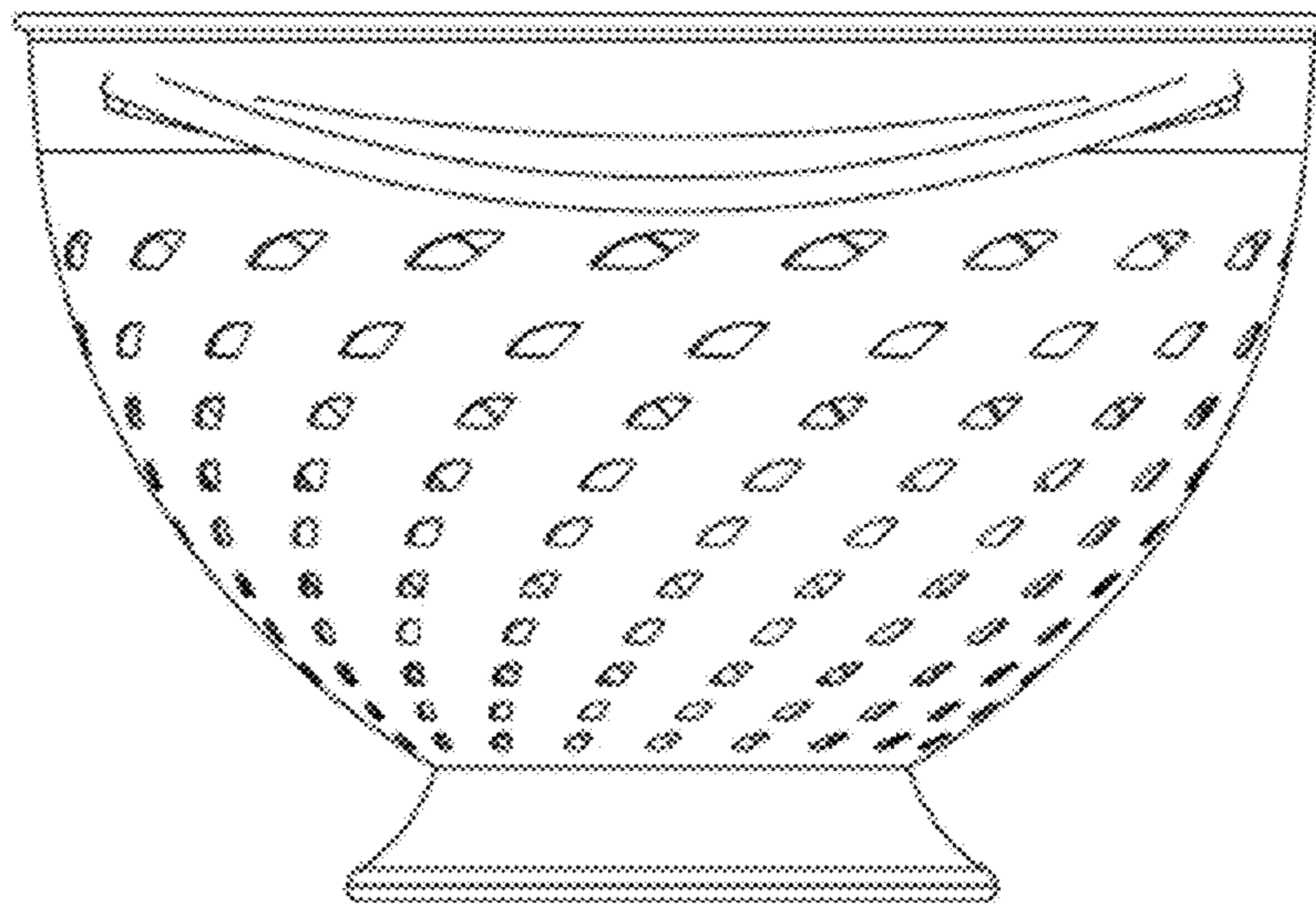


FIG. 4



*FIG. 5*



*FIG. 6*

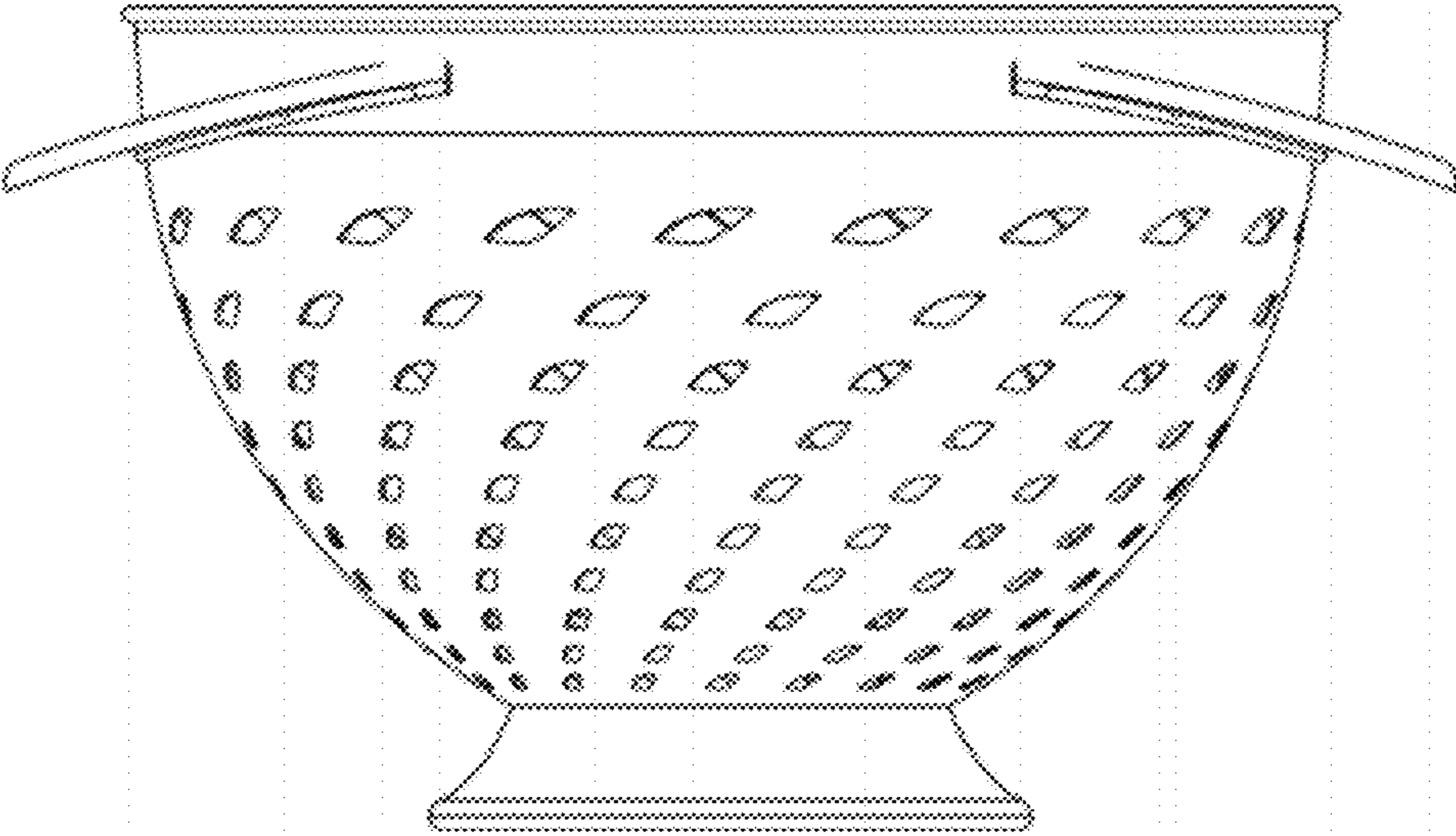


FIG. 7

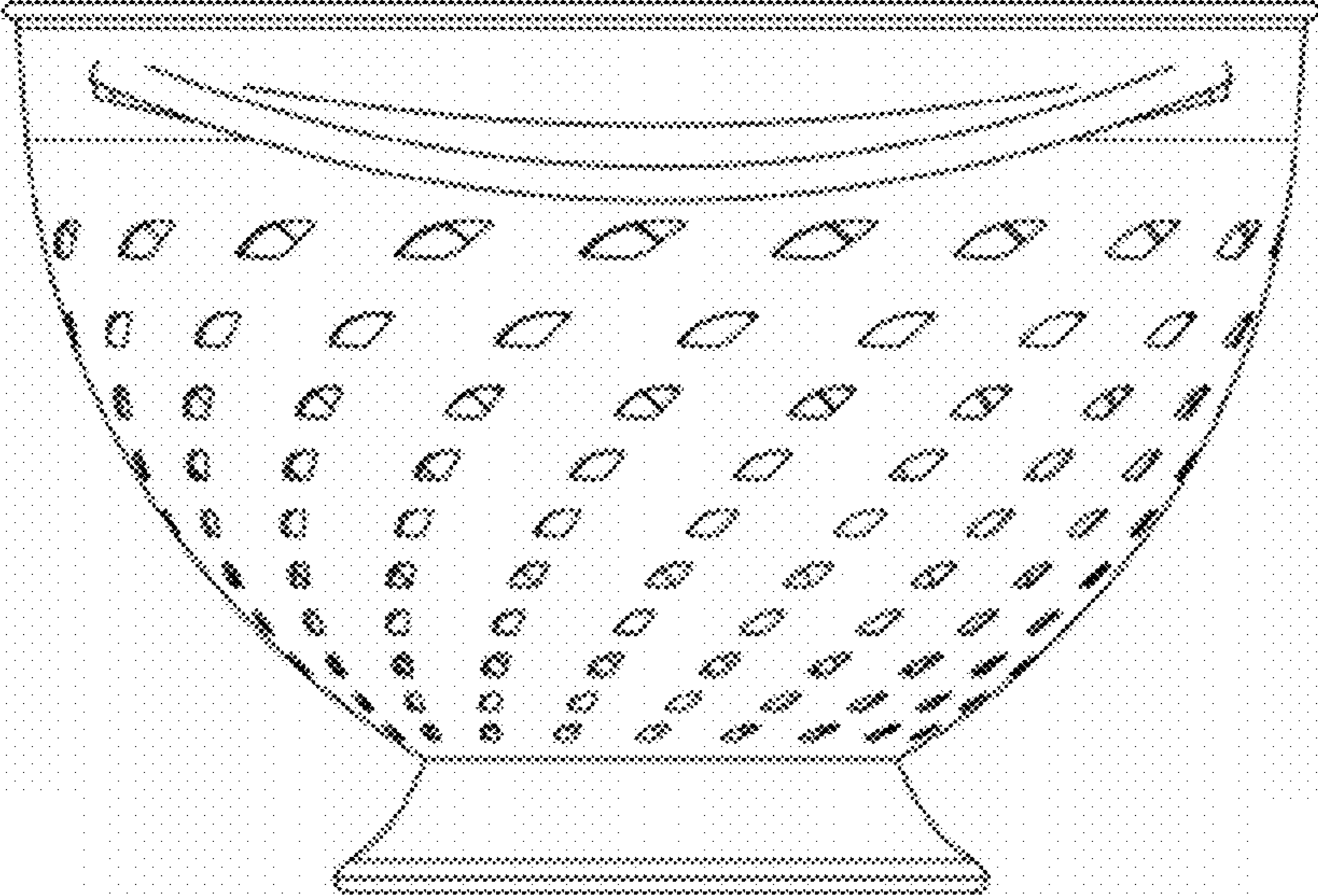


FIG. 8