

US00D667698S

(12) **United States Design Patent**
Tupy et al.

(10) **Patent No.:** **US D667,698 S**

(45) **Date of Patent:** **** Sep. 25, 2012**

(54) **TIP RESISTANT BEVERAGE CONTAINER
HOLDER**

(75) Inventors: **Craig A. Tupy**, Prior Lake, MN (US);
Steven J. Benda, Cokato, MN (US)

(73) Assignee: **Innovative Marine Products, Inc.**, Prior
Lake, MN (US)

(**) Term: **14 Years**

(21) Appl. No.: **29/386,441**

(22) Filed: **Mar. 1, 2011**

(51) **LOC (9) Cl.** **07-06**

(52) **U.S. Cl.** **D7/619.1; D7/624.2**

(58) **Field of Classification Search** D7/619.1-625;
D9/455; 220/23.89, 737, 738, 630, 23.83,
220/560; 248/313, 314, 311.3, 311.2, 316.2,
248/310, 154, 146, 523, 346.04; 211/74,
211/71.01

See application file for complete search history.

(56) **References Cited**

U.S. PATENT DOCUMENTS

D110,902 S *	8/1938	Thomas	D7/558
D164,572 S *	9/1951	Happe	D7/624.1
2,963,256 A *	12/1960	Borah	248/346.04
3,632,015 A *	1/1972	Barth	220/630
5,054,733 A *	10/1991	Shields	248/313
D330,995 S *	11/1992	Hartman et al.	D7/619.1
D333,265 S *	2/1993	Lindsey	D9/455

D351,970 S *	11/1994	Barrio	D7/619.1
D361,017 S *	8/1995	Keven	D7/619.1
D391,119 S *	2/1998	Rapaz	D7/601
5,961,086 A *	10/1999	Moore et al.	248/314
6,616,493 B2 *	9/2003	Powell et al.	220/560
7,556,230 B2 *	7/2009	Sarullo	248/311.2

* cited by examiner

Primary Examiner — Terry Wallace

(74) *Attorney, Agent, or Firm* — Kinney & Lange, P.A.

(57) **CLAIM**

The ornamental design for a tip resistant beverage container holder, as shown and described.

DESCRIPTION

This application claims priority to U.S. application Ser. No. 12/873,740, filed on Sep. 1, 2010, entitled "Tip Resistant Beverage Container Holder," which is herein incorporated by reference.

FIG. 1 is a perspective view of a first embodiment;

FIG. 2 is a side view of the first embodiment;

FIG. 3 is a side view of the first embodiment rotated 90 degrees from the view in FIG. 2.

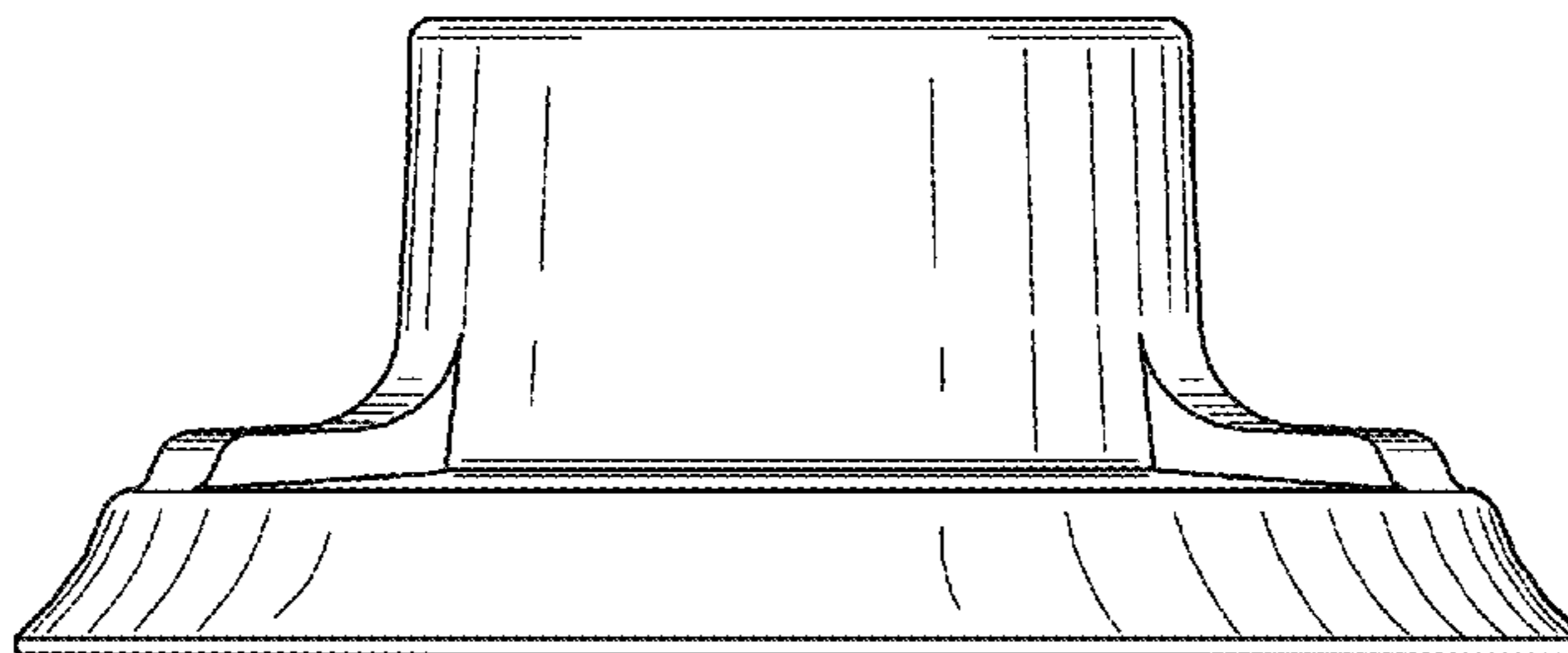
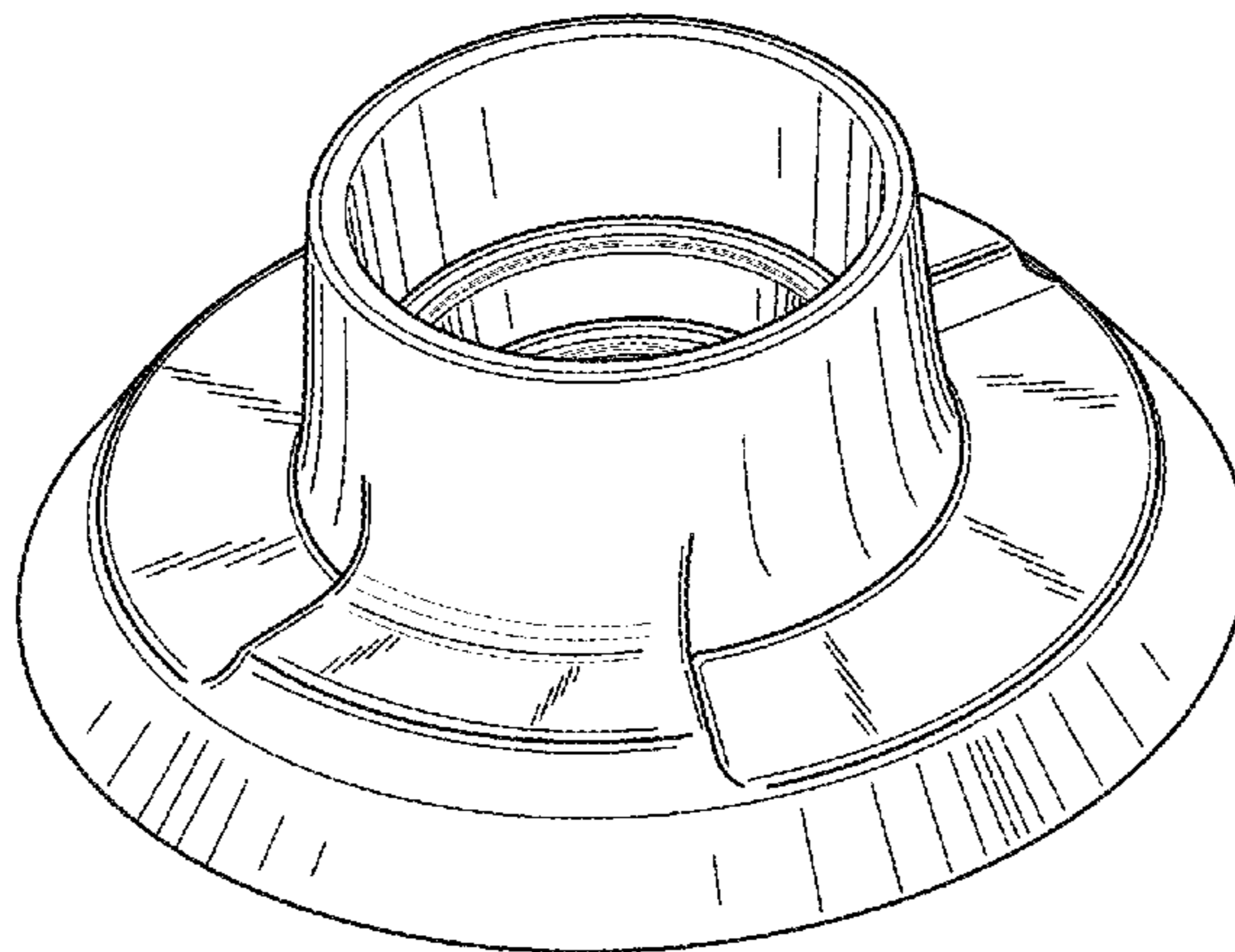
FIG. 4 is perspective view of a bottom of the first embodiment.

FIG. 5 is a top view of the first embodiment.

FIG. 6 is a bottom view of the first embodiment; and,

FIG. 7 is a cross-sectional view of the first embodiment taken along line 7-7 of FIG. 5.

1 Claim, 4 Drawing Sheets



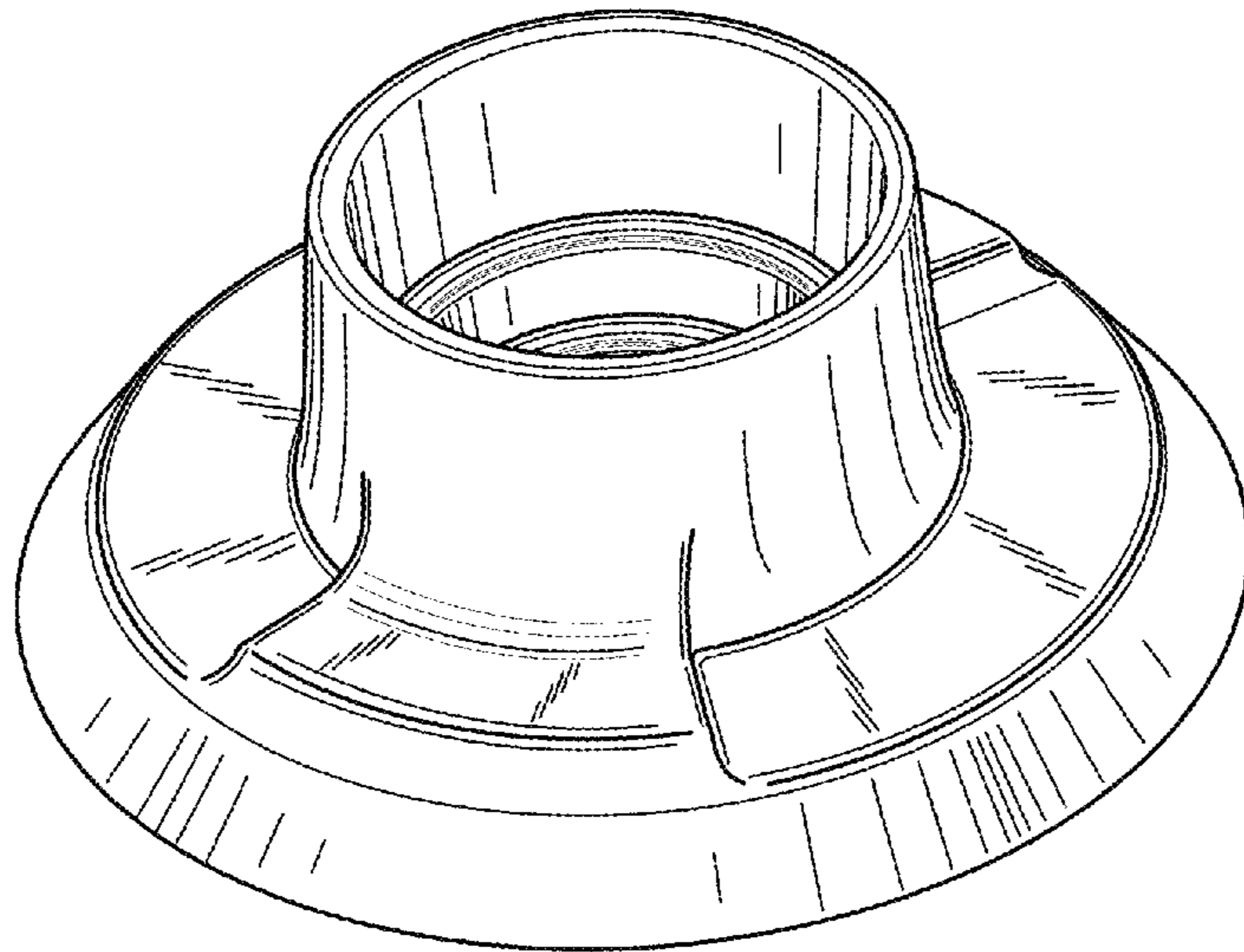


FIG. 1

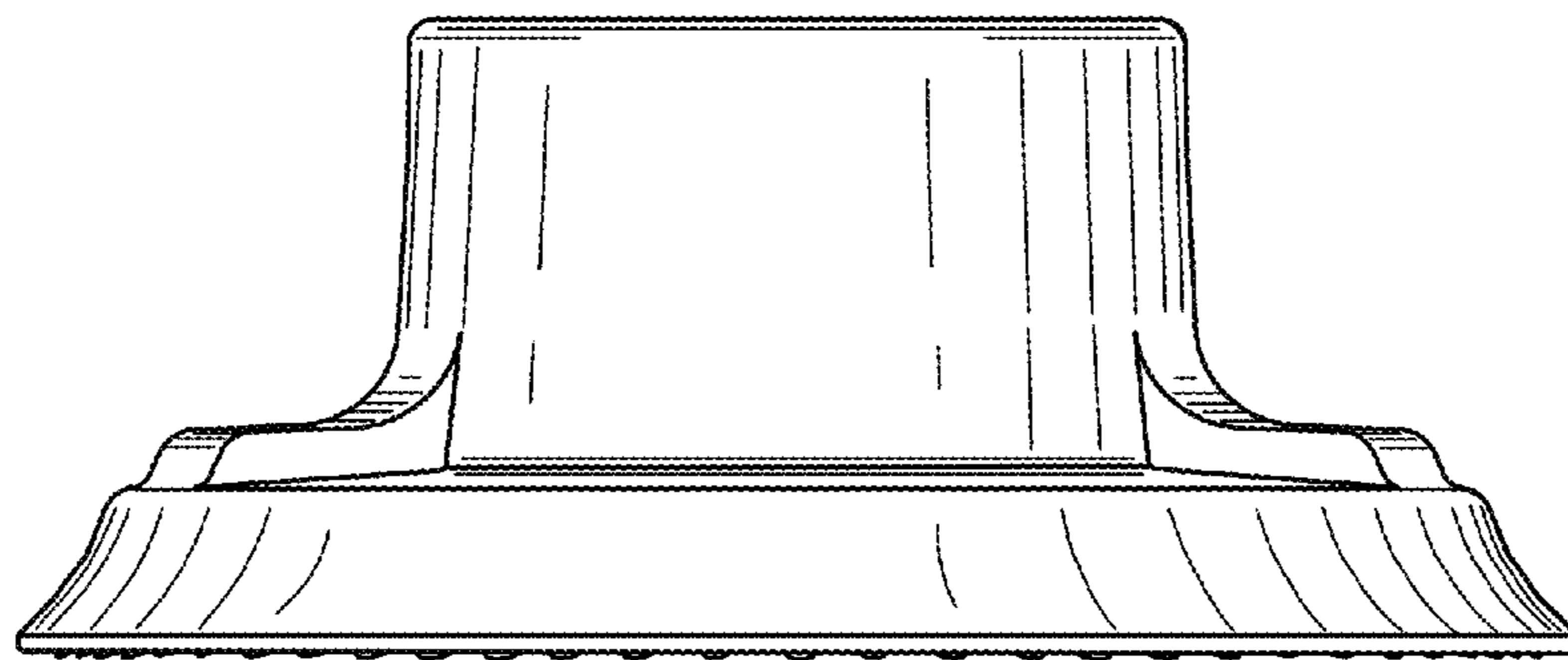


FIG. 2

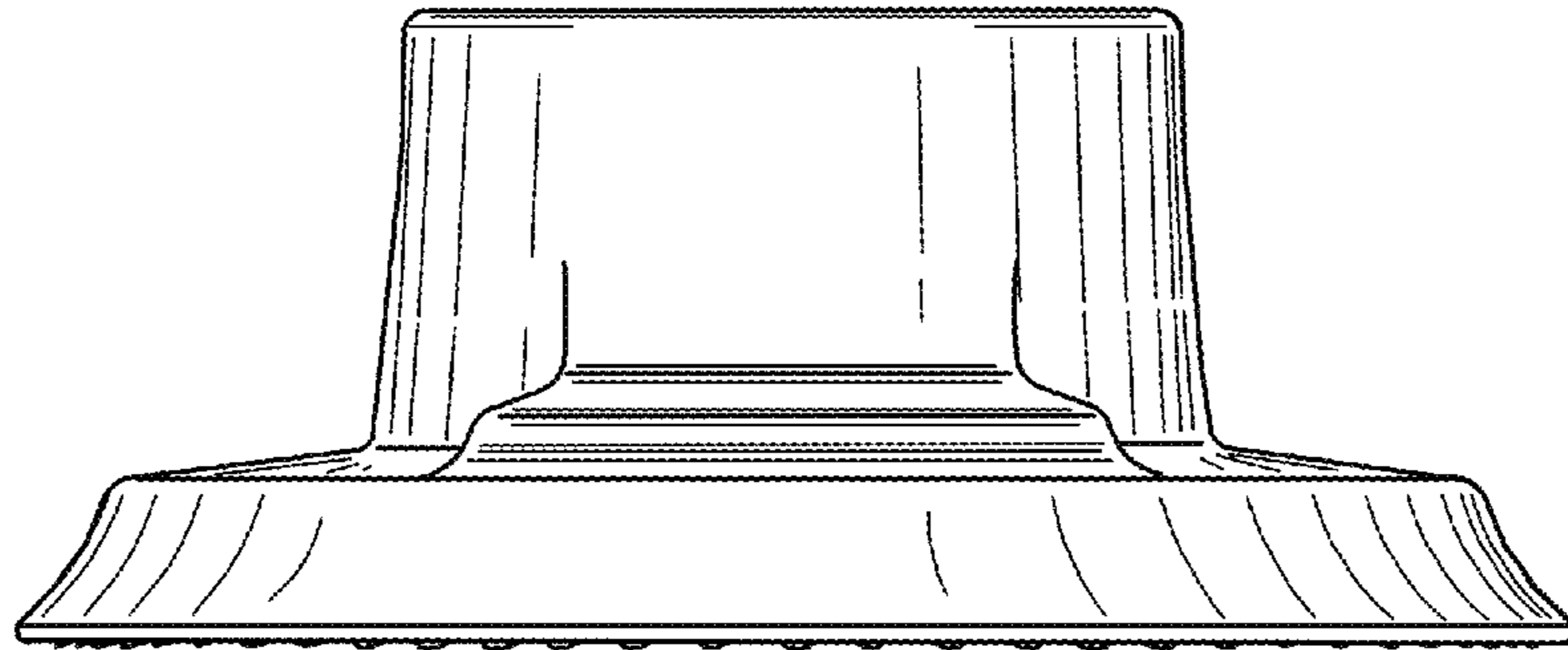


FIG. 3

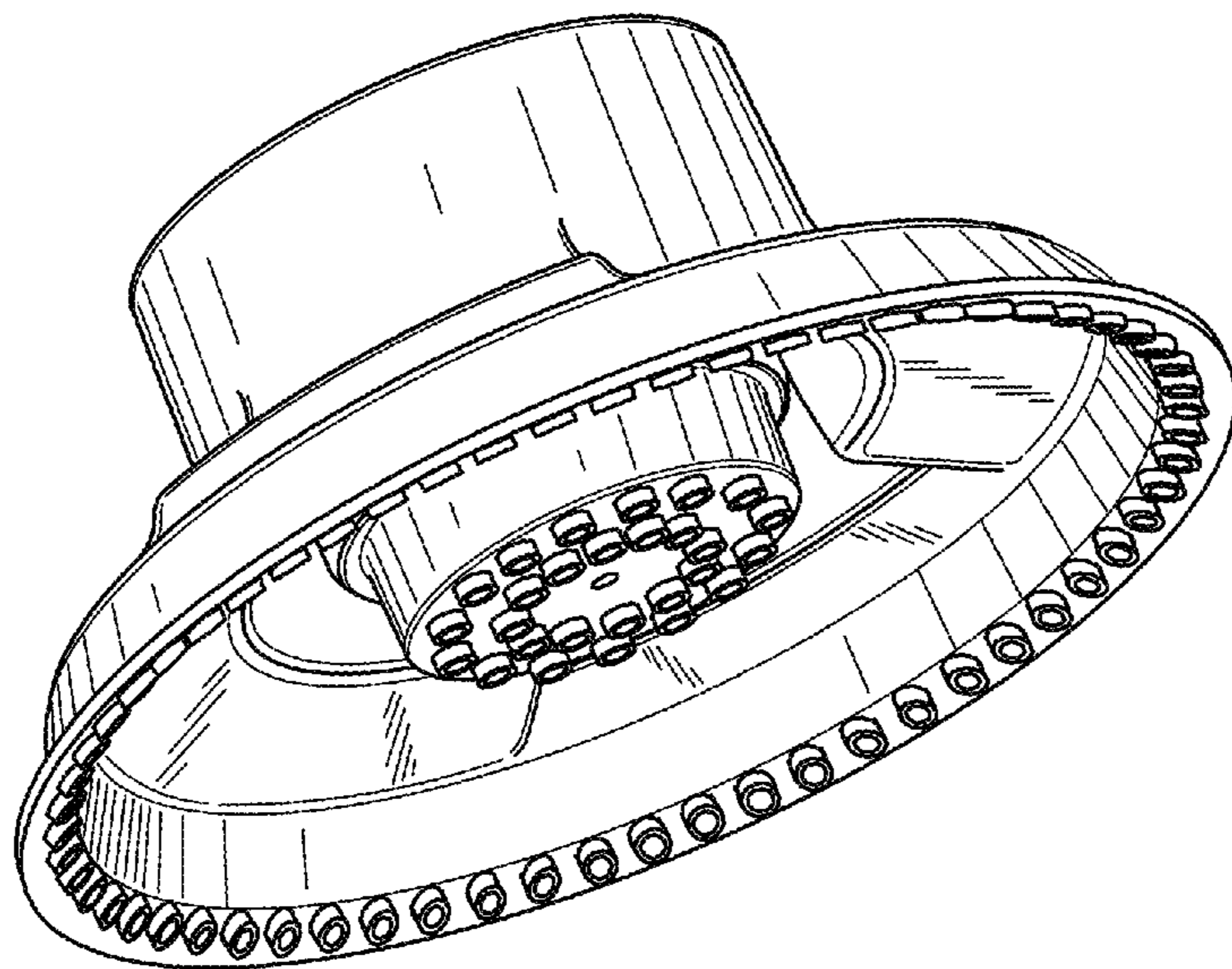


FIG. 4

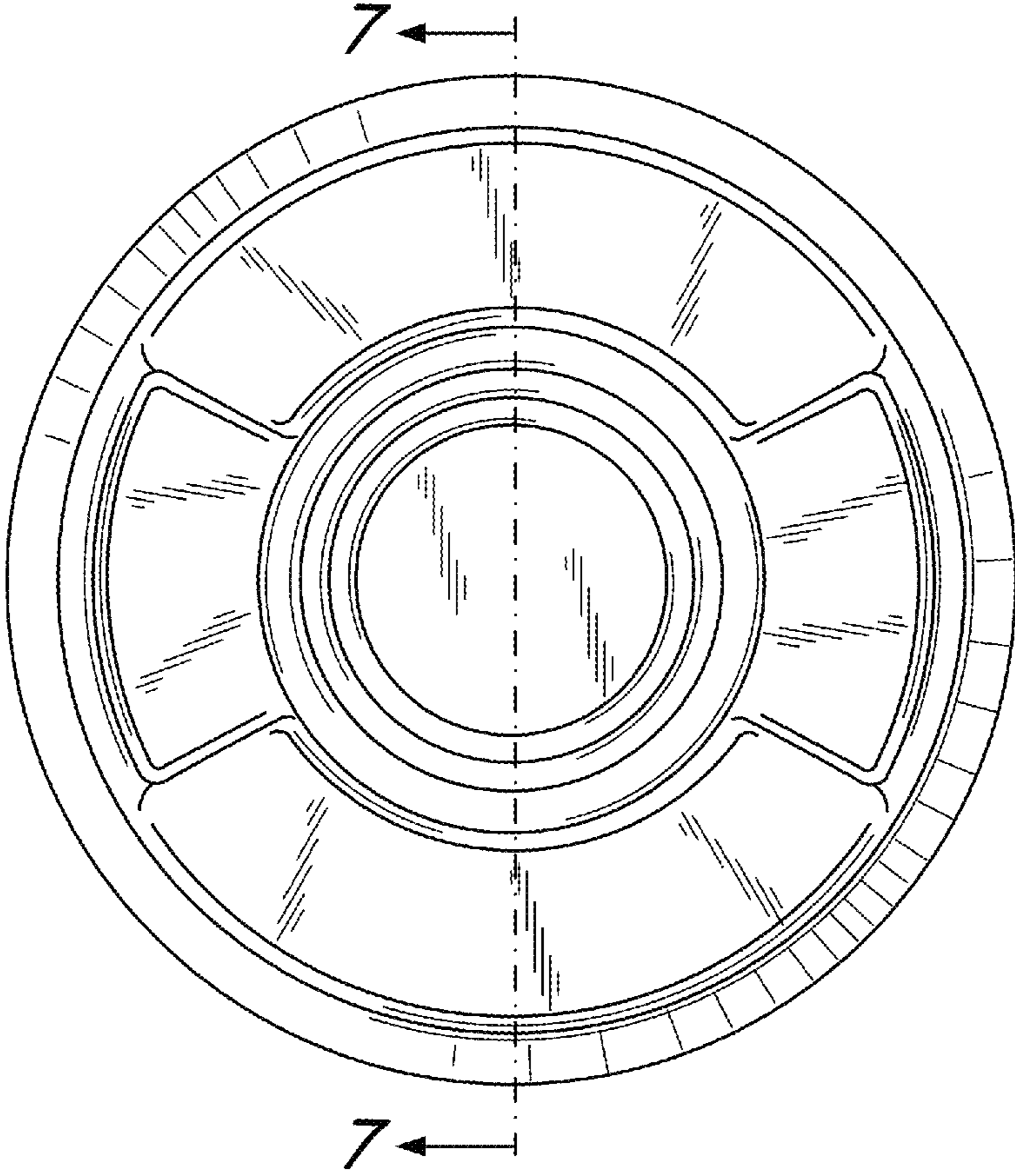


FIG. 5

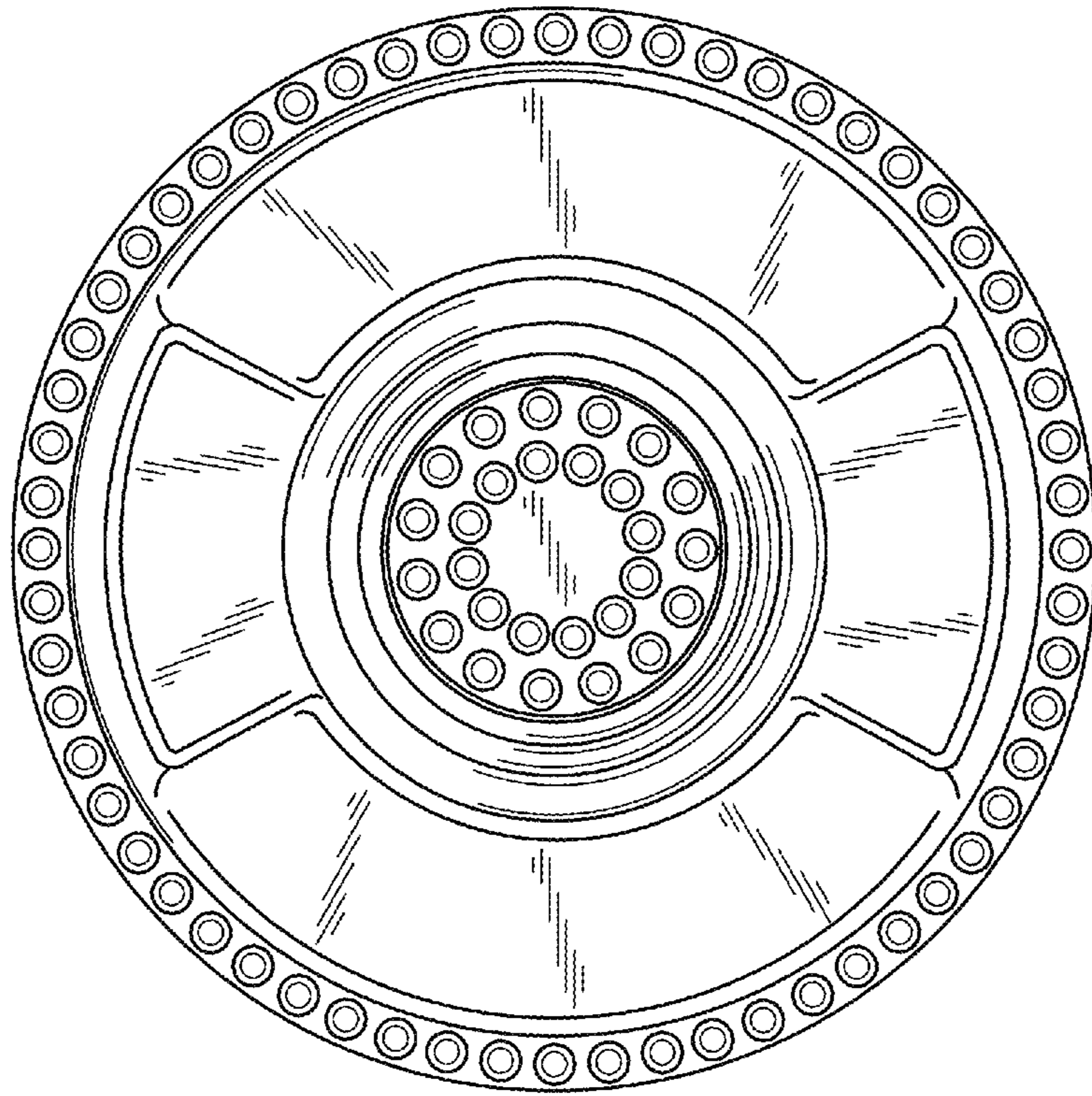


FIG. 6

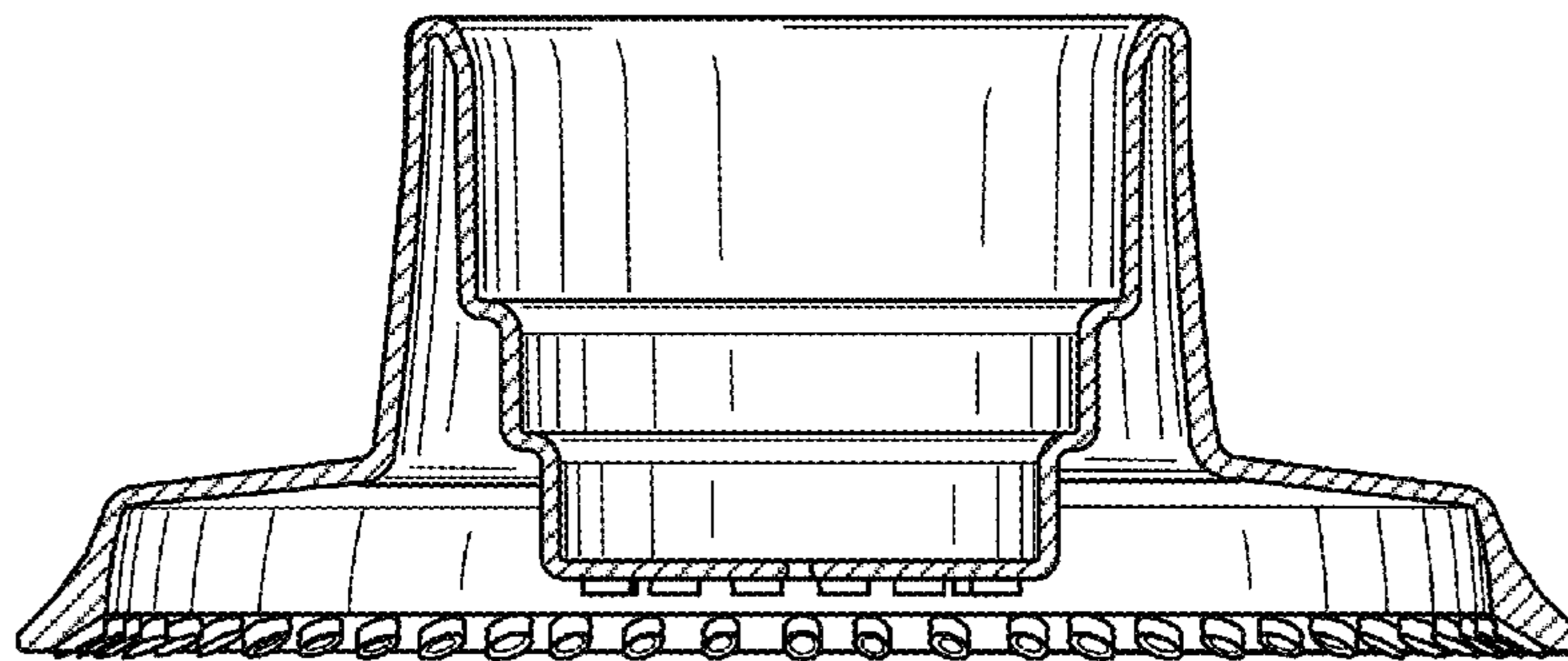


FIG. 7