



US00D667697S

(12) **United States Design Patent**  
**Shah**

(10) **Patent No.:** **US D667,697 S**

(45) **Date of Patent:** **\*\* Sep. 25, 2012**

(54) **ICE BOX WITH WHEELS**

(75) Inventor: **Haresh Shah**, Mumbai (IN)

(73) Assignee: **Tokyo Plast International Ltd.**,  
Mumbai (IN)

(\*\*) Term: **14 Years**

(21) Appl. No.: **29/420,966**

(22) Filed: **May 15, 2012**

(30) **Foreign Application Priority Data**

Mar. 6, 2012 (IN) ..... 243663

(51) **LOC (9) Cl.** ..... **07-01**

(52) **U.S. Cl.** ..... **D7/605**

(58) **Field of Classification Search** ..... D7/605-607,  
D7/629; 62/457.1-457.9, 371, 372, 331,  
62/258; 280/87.043, 30, 79.2, 655, 47.26,  
280/645, 655.1, 638, 652, 47.131, 47.17,  
280/47.23, 47.33, 47.2, 47.24, 47.21; 220/915.1,  
220/915.2, 592.2, 592.01, 592.03, 592.16,  
220/592.17

See application file for complete search history.

(56) **References Cited**

U.S. PATENT DOCUMENTS

5,373,708 A \* 12/1994 Dumoulin, Jr. .... 62/457.7  
D375,022 S \* 10/1996 Smith ..... D7/605  
D527,225 S \* 8/2006 Krieger et al. .... D7/605  
D613,560 S \* 4/2010 Robichaud et al. .... D7/605

\* cited by examiner

*Primary Examiner* — Terry Wallace

(74) *Attorney, Agent, or Firm* — Notaro, Michalos &  
Zaccaria P.C.

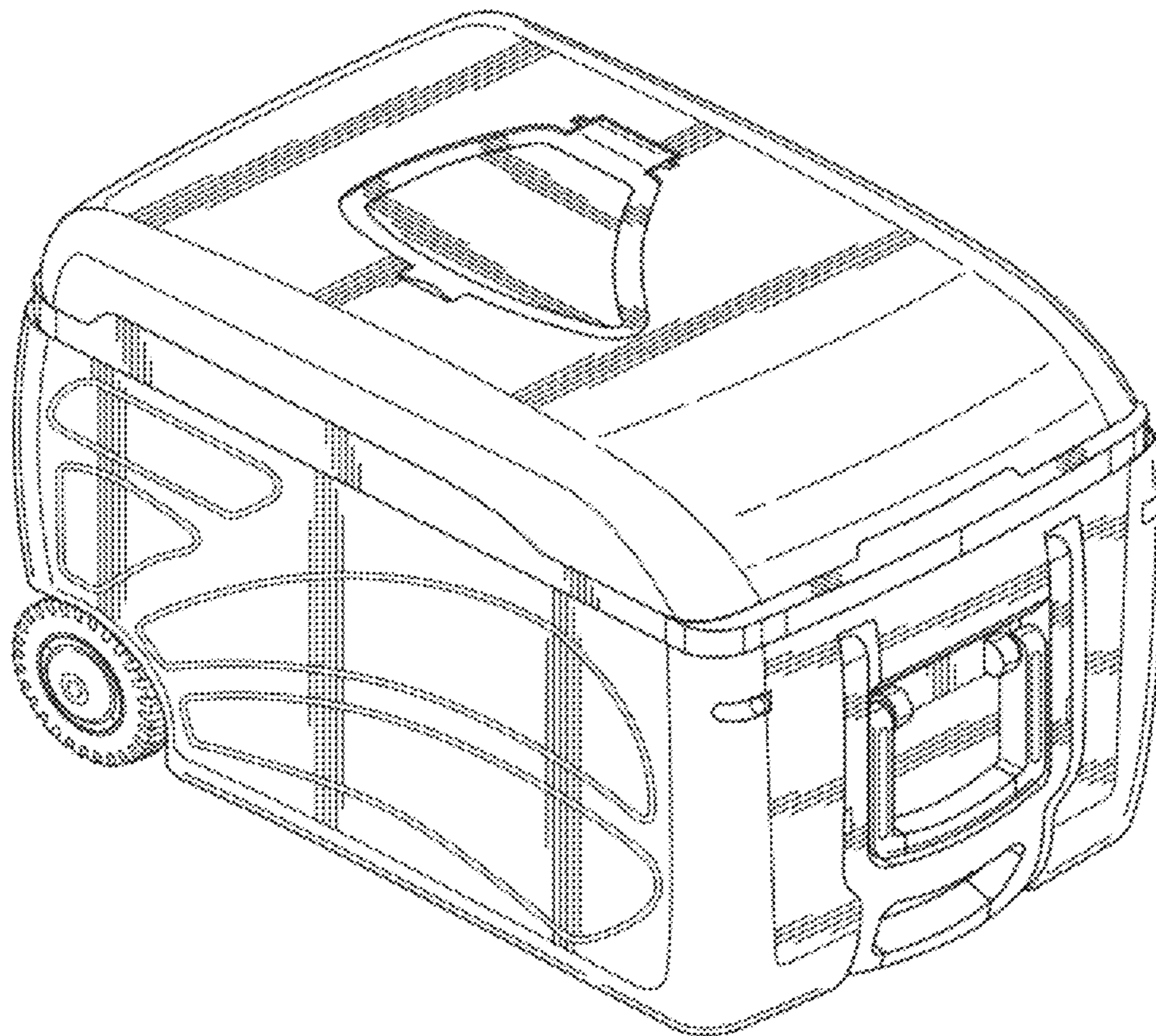
(57) **CLAIM**

The ornamental design for an ice box with wheels, as shown  
and described.

**DESCRIPTION**

FIG. 1 is a top perspective view of an ice box with wheels  
showing my new design therefor;  
FIG. 2 is a bottom perspective view thereof;  
FIG. 3 is a left side view thereof;  
FIG. 4 is a right side view thereof;  
FIG. 5 is a front elevational view thereof, the rear view being  
a mirror image;  
FIG. 6 is a top plan view thereof; and,  
FIG. 7 is a bottom plan view thereof.

**1 Claim, 7 Drawing Sheets**



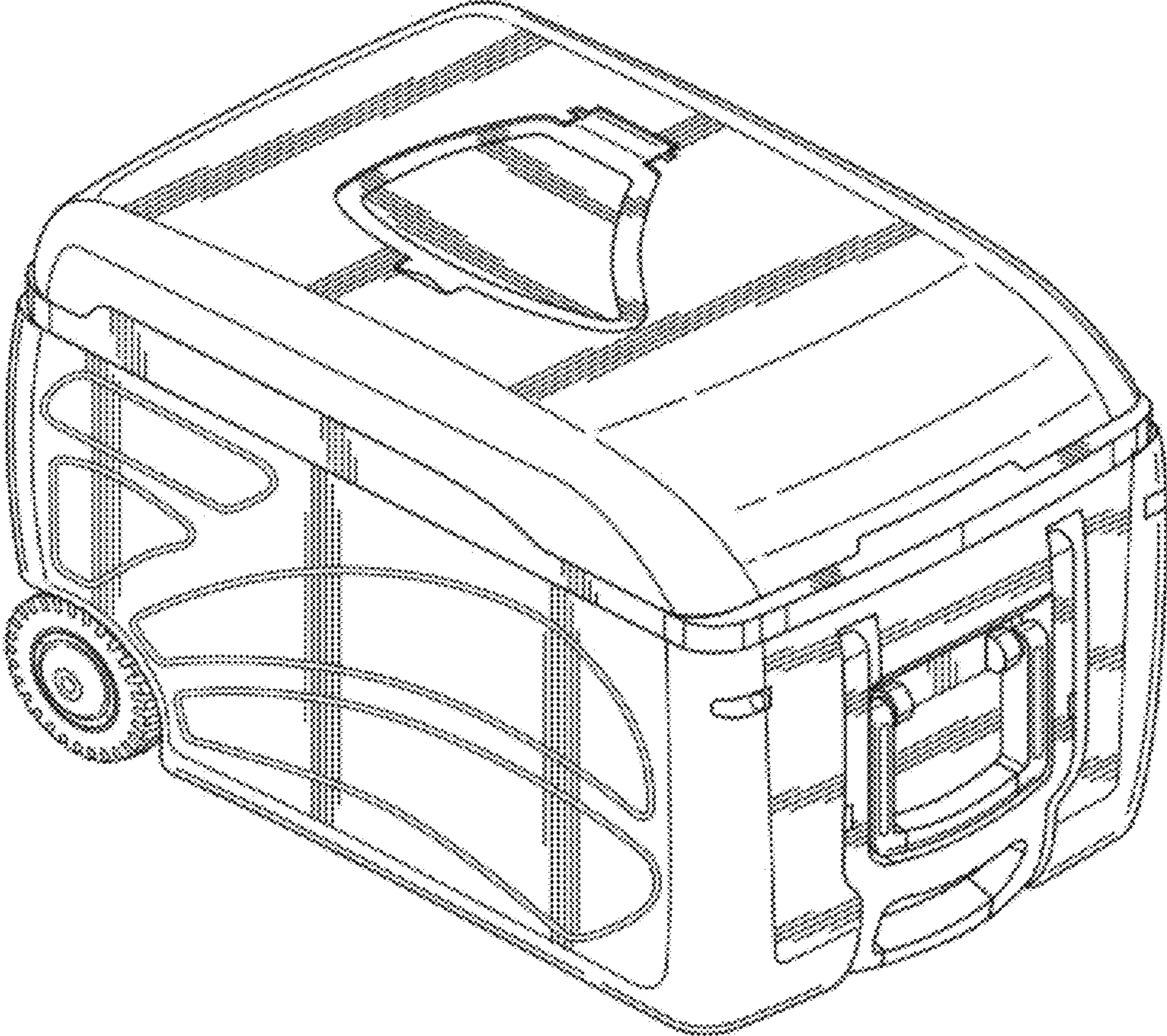


FIG. 1

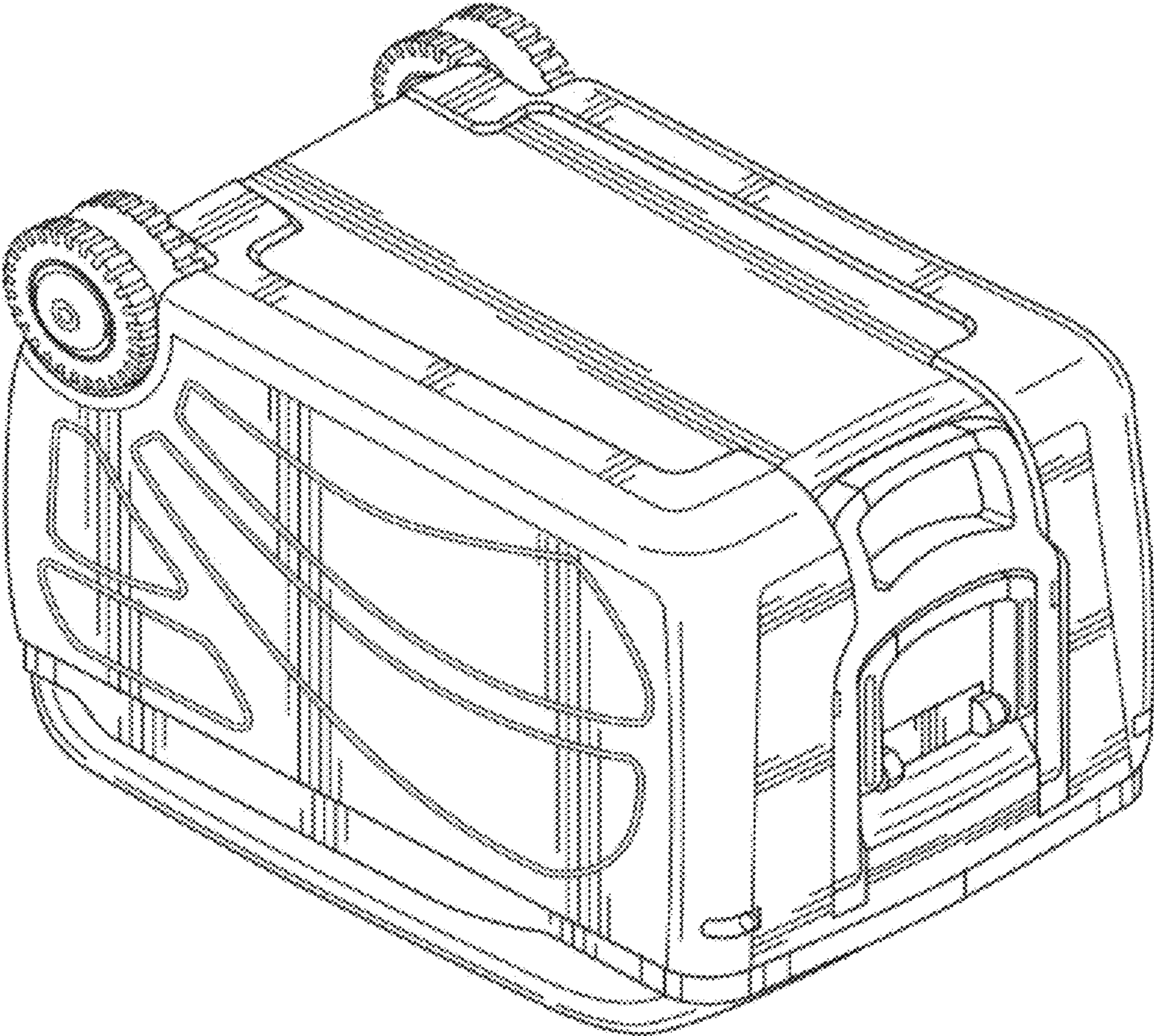


FIG. 2

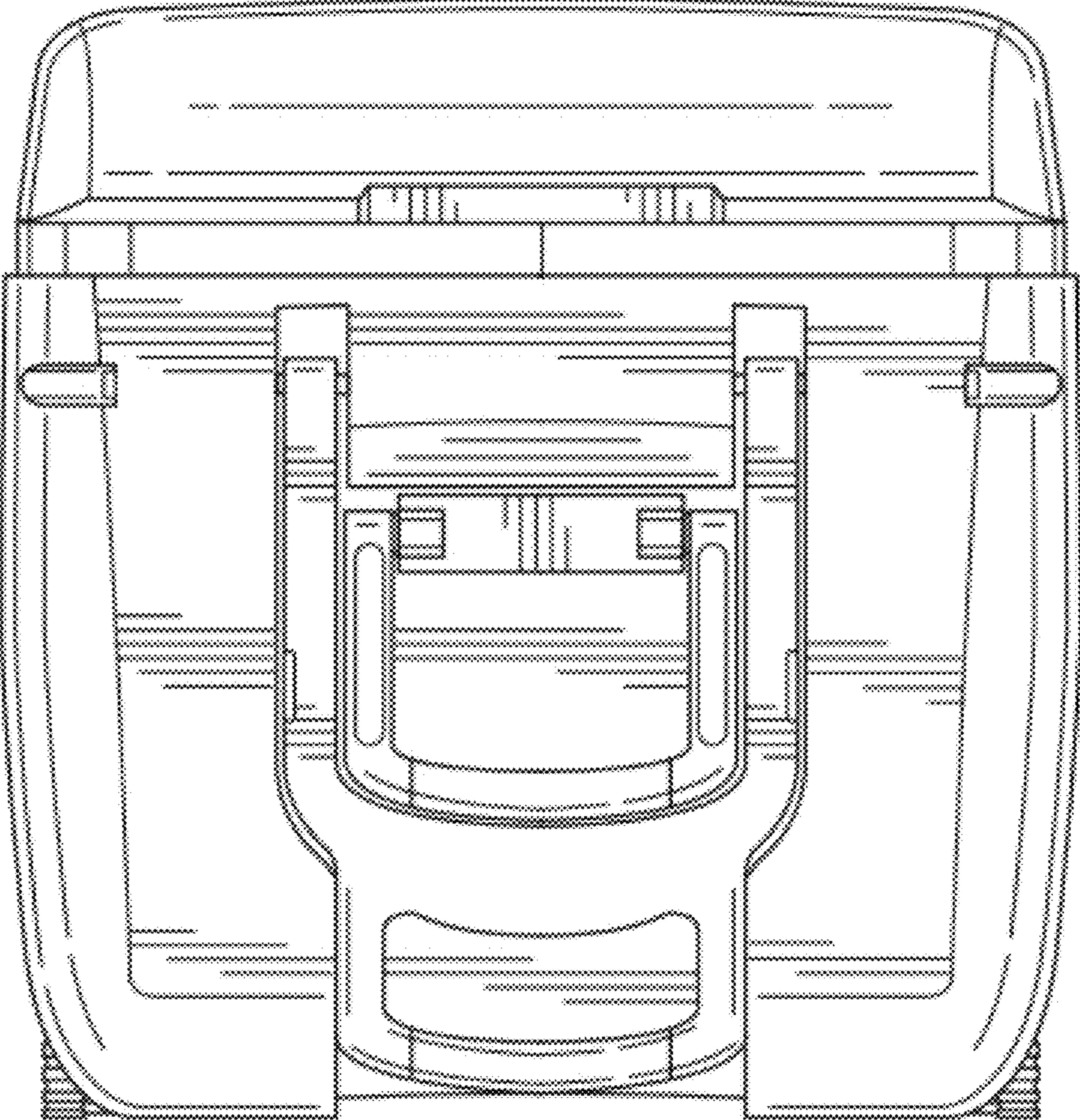


FIG. 3

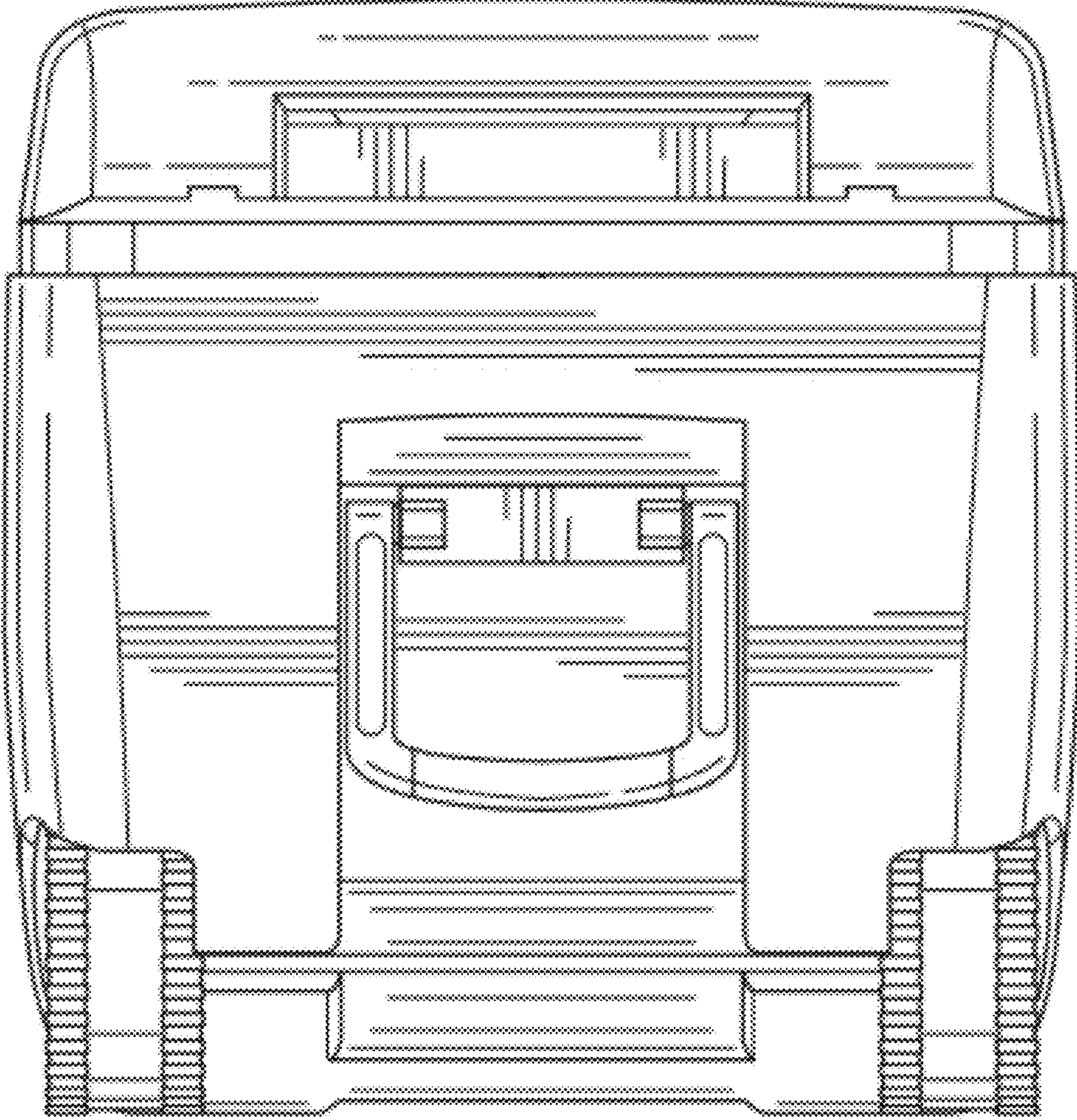


FIG. 4

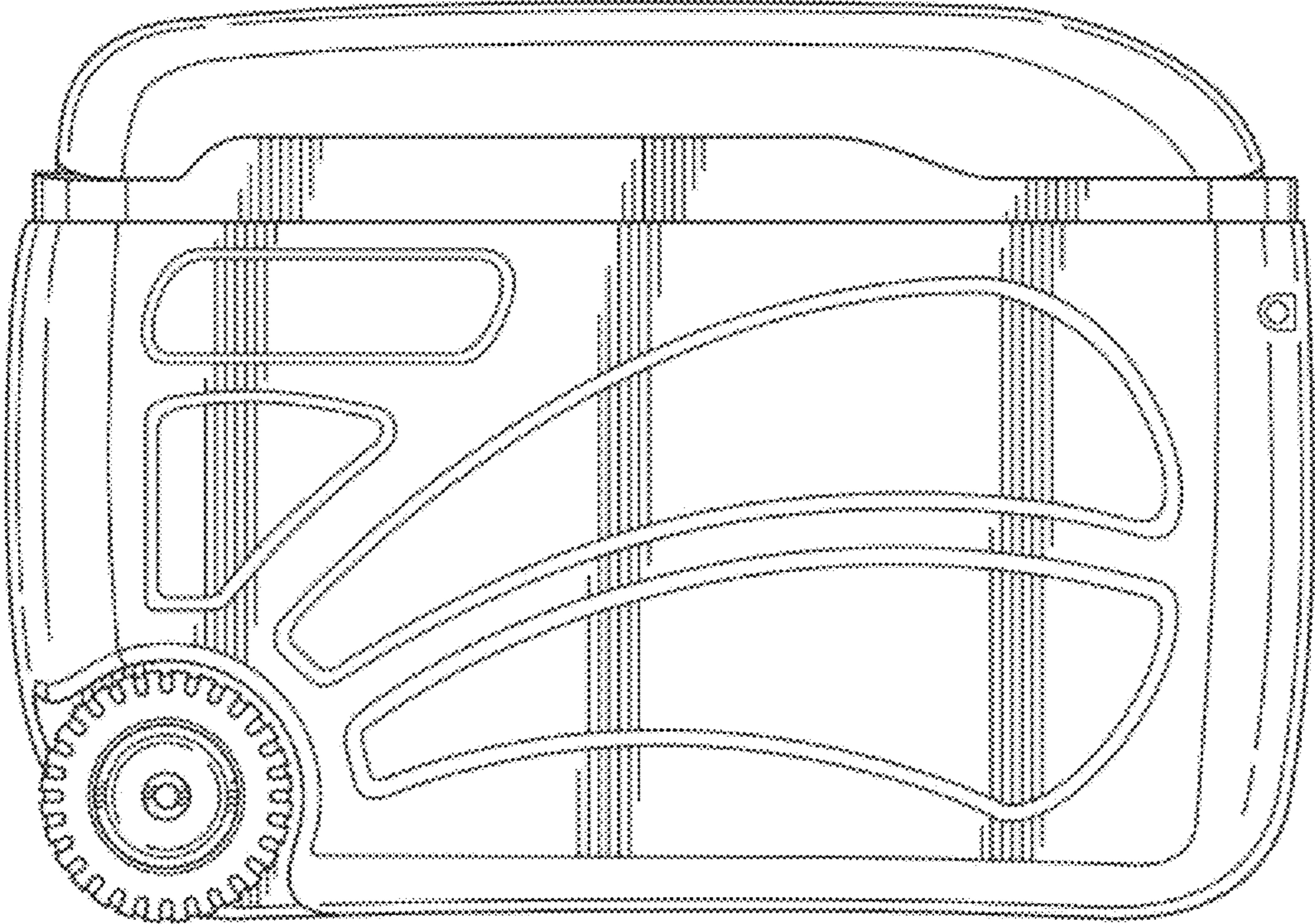


FIG. 5

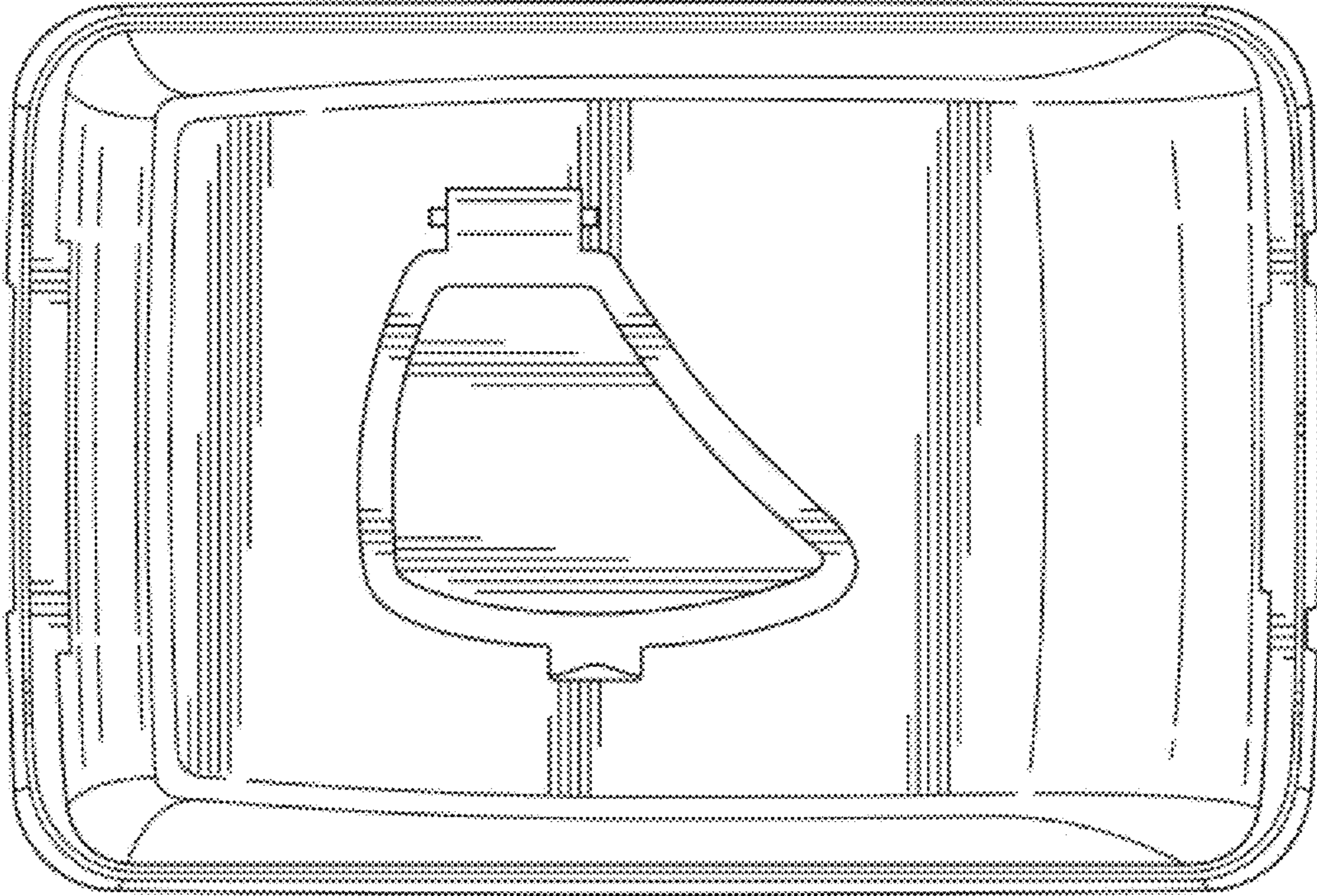


FIG. 6

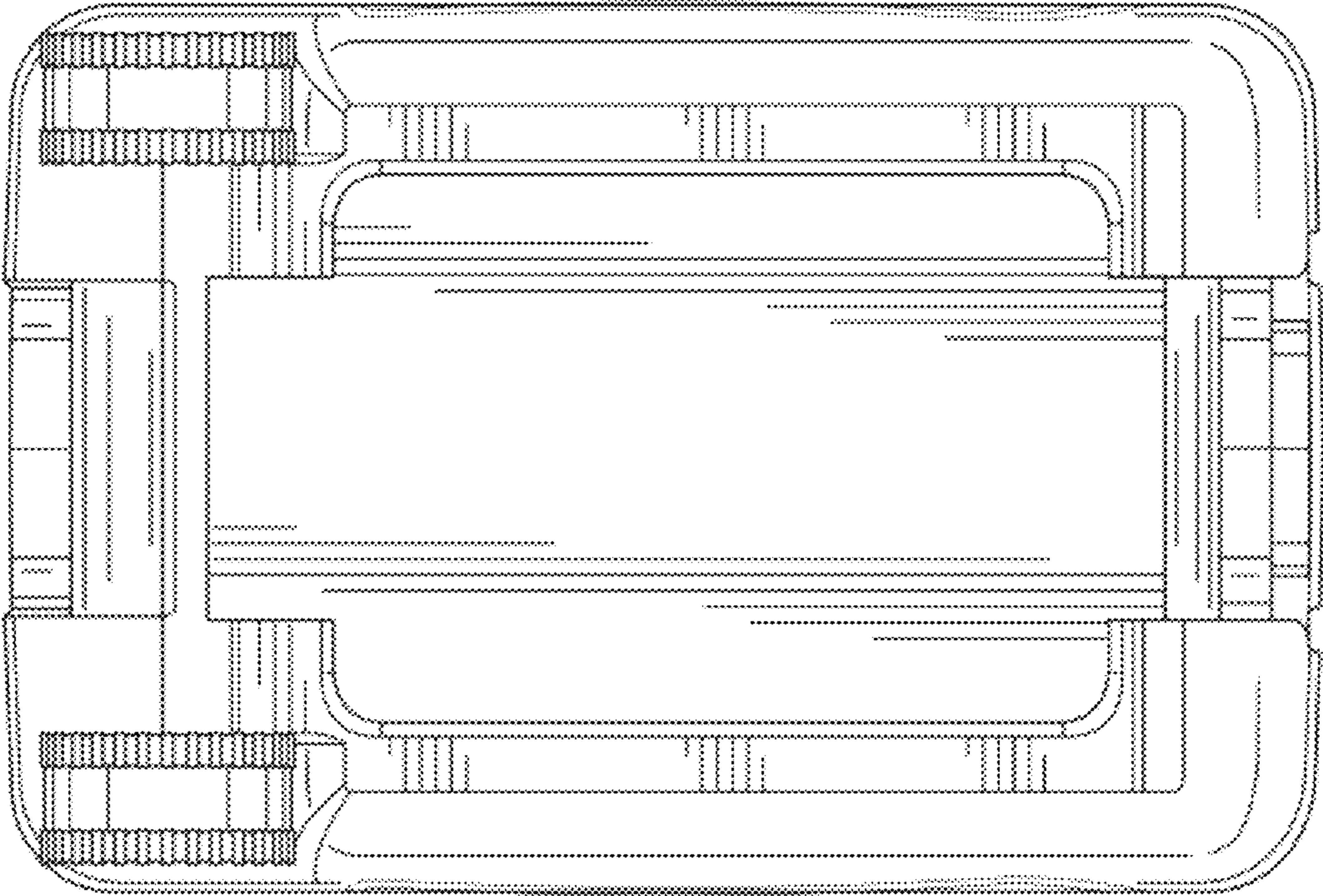


FIG. 7