

US00D667683S

(12) **United States Design Patent**
Czach et al.

(10) **Patent No.:** **US D667,683 S**
(45) **Date of Patent:** **** Sep. 25, 2012**

(54) **FOOD PROCESSOR**

(75) Inventors: **Matthew G. Czach**, Kalamazoo, MI (US); **Jimmy Quang Doan**, St. Joseph, MI (US); **Brandon T. Mock**, St. Joseph, MI (US)

(73) Assignee: **Whirlpool Corporation**, Benton Harbor, MI (US)

(**) Term: **14 Years**

(21) Appl. No.: **29/415,290**

(22) Filed: **Mar. 9, 2012**

(51) **LOC (9) Cl.** **31-00**

(52) **U.S. Cl.** **D7/384; D7/376; D7/378**

(58) **Field of Classification Search** D7/301-313, D7/316-319, 356-357, 368, 372-386, 391-398, D7/412-415, 515, 665, 679, 691; 99/326, 99/348, 492, 508-512; 241/30-37.5, 101.01-101.2, 241/166-169.1, 172, 285.1-285.3, 291, 292.1; 366/64-67, 98, 129, 142-144, 197-211, 366/241-254, 262, 279-292, 325.8, 325.92, 366/341-347; 416/75-77, 70 R, 163
See application file for complete search history.

(56) **References Cited**

U.S. PATENT DOCUMENTS

D287,327 S *	12/1986	Cavalli	D7/384
D445,299 S *	7/2001	Spagnolo et al.	D7/384
D502,842 S *	3/2005	Hallar	D7/384
D522,321 S *	6/2006	Hsu	D7/665
D540,127 S *	4/2007	Ye et al.	D7/665

7,229,036 B2 *	6/2007	Carnevale et al.	241/36
D547,601 S *	7/2007	Ting et al.	D7/384
D578,341 S *	10/2008	Picozza et al.	D7/384
D587,064 S *	2/2009	Mark	D7/384
D594,717 S *	6/2009	Wu Chang	D7/665

* cited by examiner

Primary Examiner — Ricky Pham

(74) *Attorney, Agent, or Firm* — Jason S. Burnette; Barnes & Thornburg, LLP

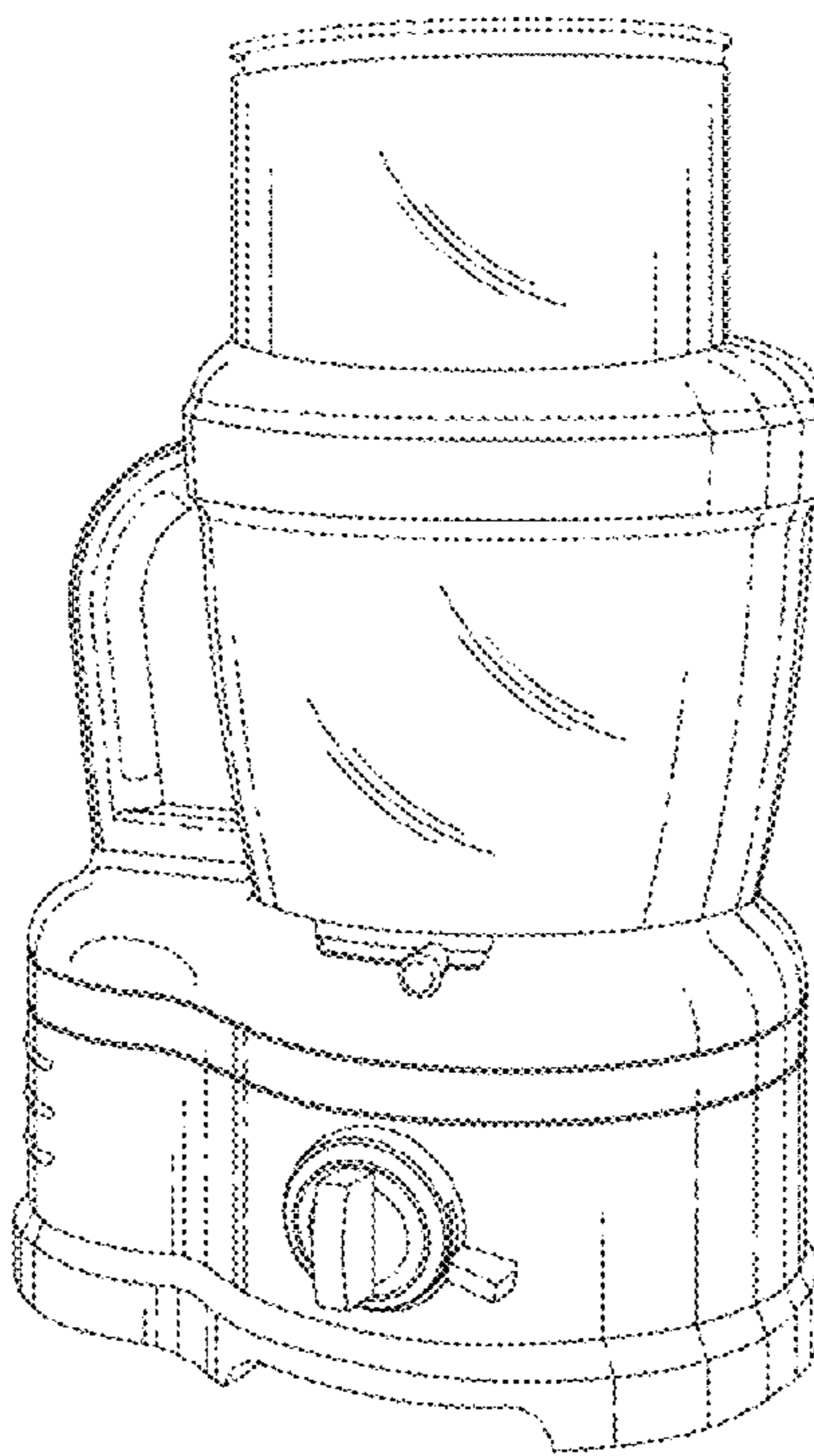
(57) **CLAIM**

We claim the ornamental design for a food processor, as shown and described.

DESCRIPTION

FIG. 1 is a front perspective view of a design of the food processor;
FIG. 2 is a front elevation view of the food processor of FIG. 1;
FIG. 3 is a rear elevation view of the food processor of FIG. 1;
FIG. 4 is a first side elevation view of the food processor of FIG. 1;
FIG. 5 is a second side elevation view of the food processor of FIG. 1; and,
FIG. 6 is a top plan view of the food processor of FIG. 1.
The bottom plan view is not shown and forms no part of the claimed design. The features shown in broken lines depict environmental subject matter only and form no part of the claimed design.

1 Claim, 6 Drawing Sheets



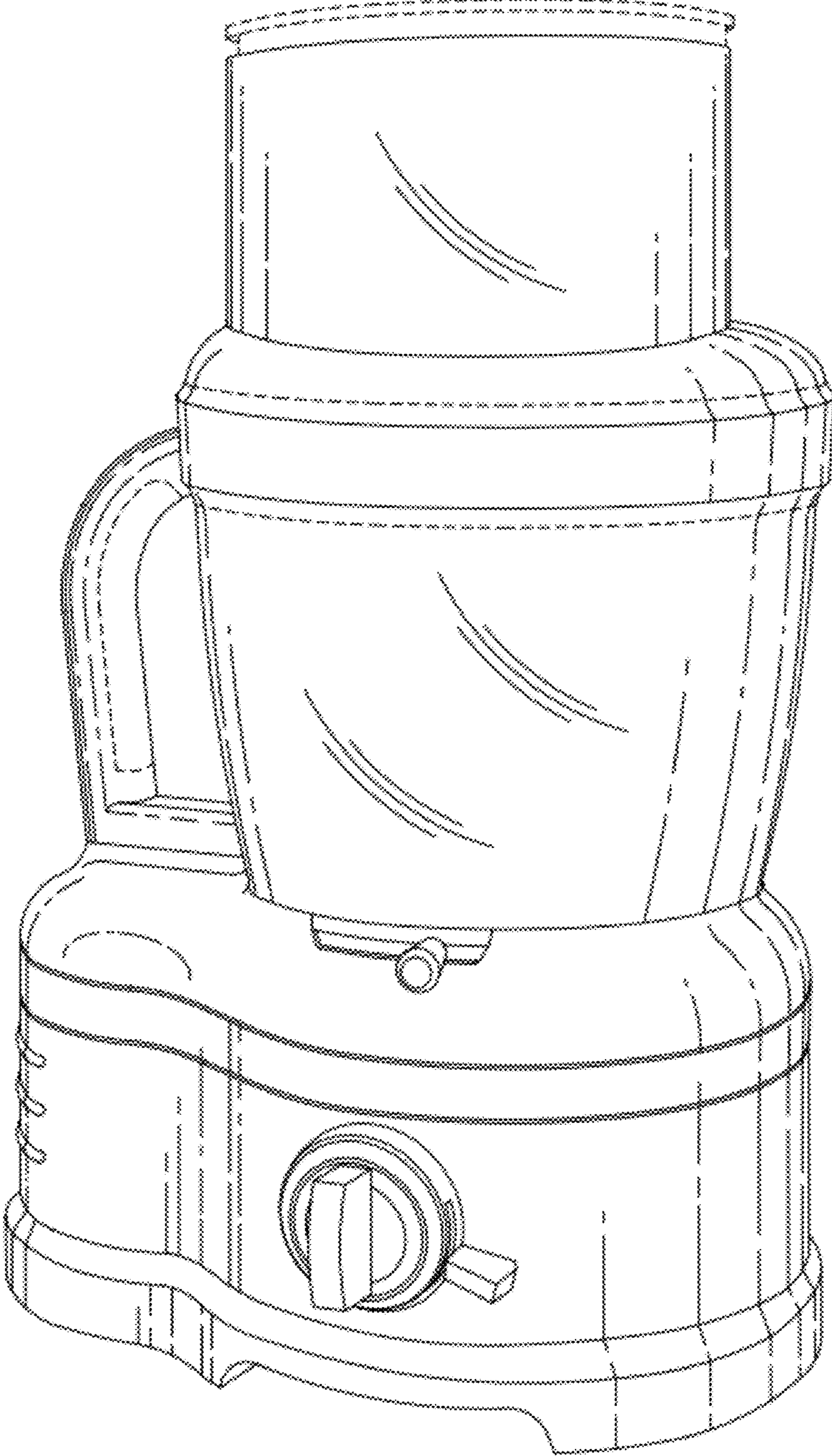


Fig. 1

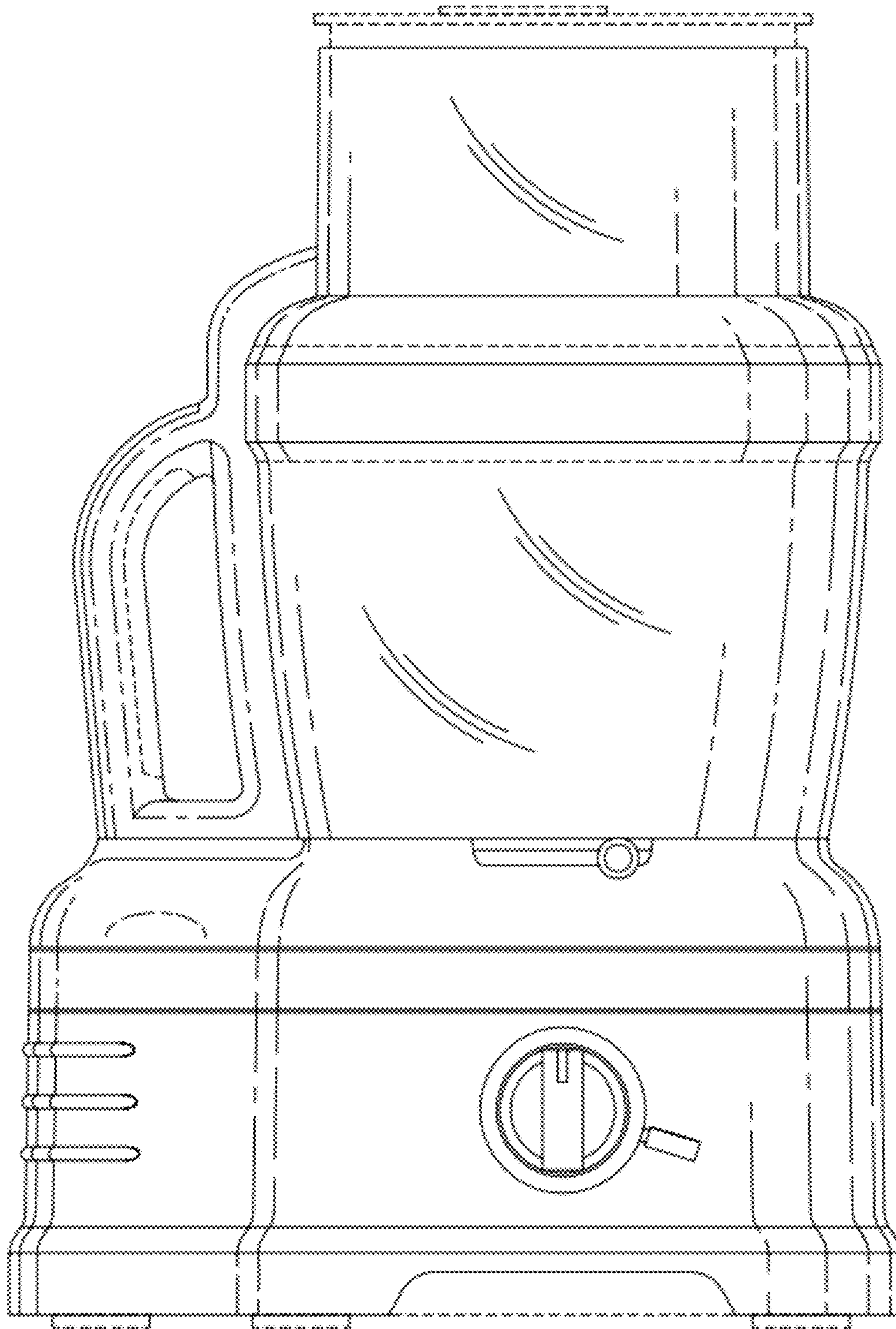


Fig. 2

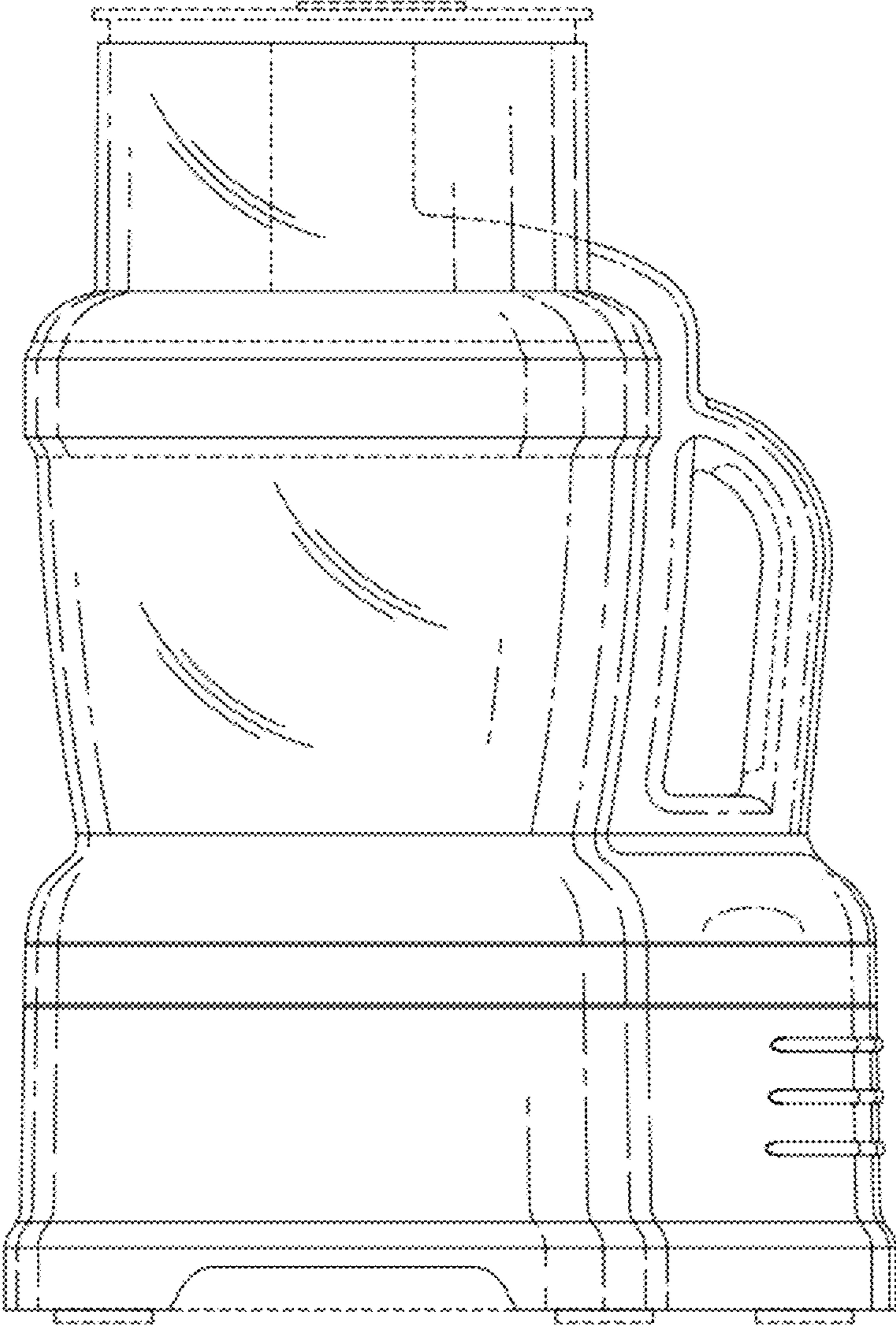


Fig. 3

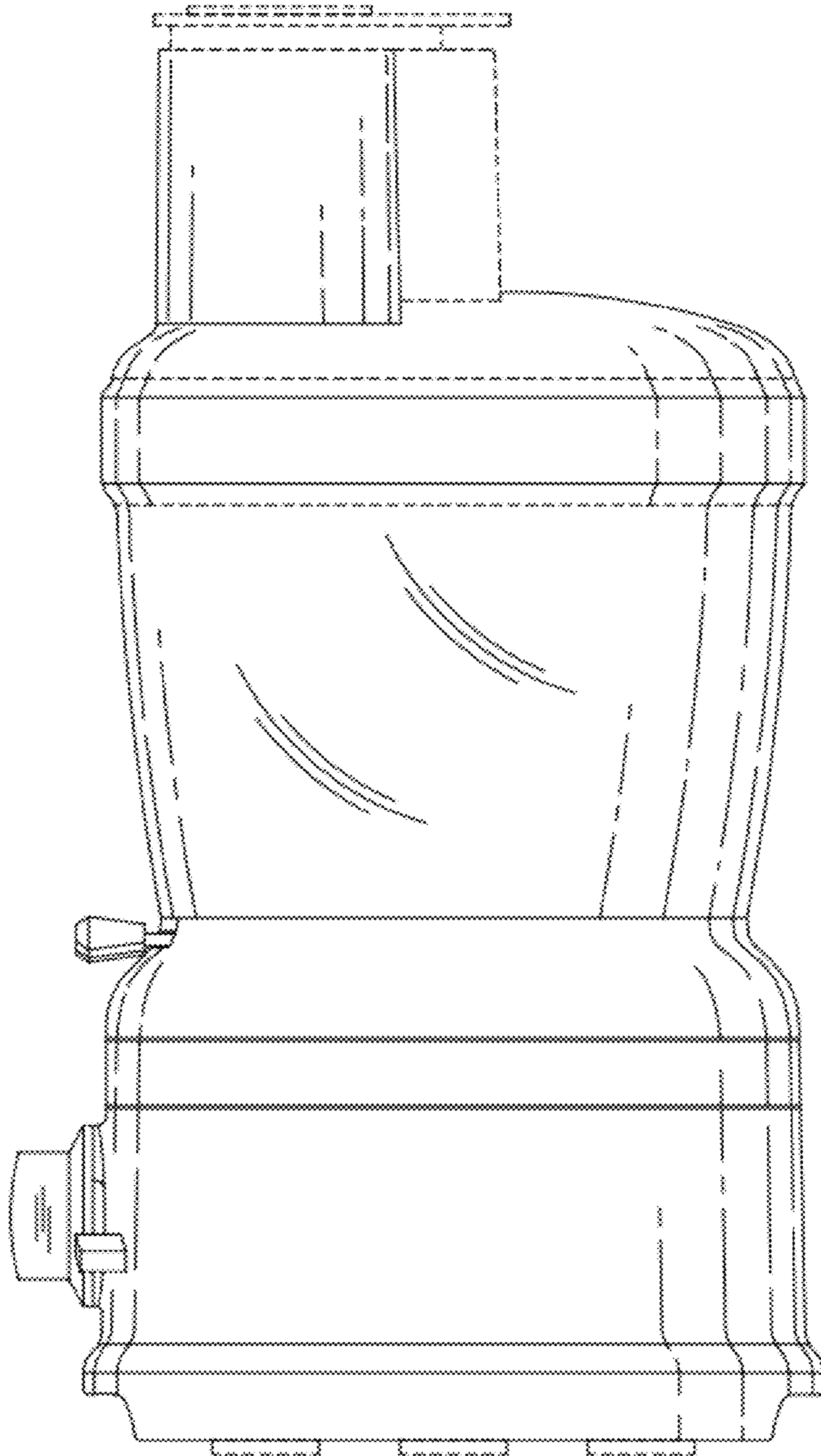


Fig. 4

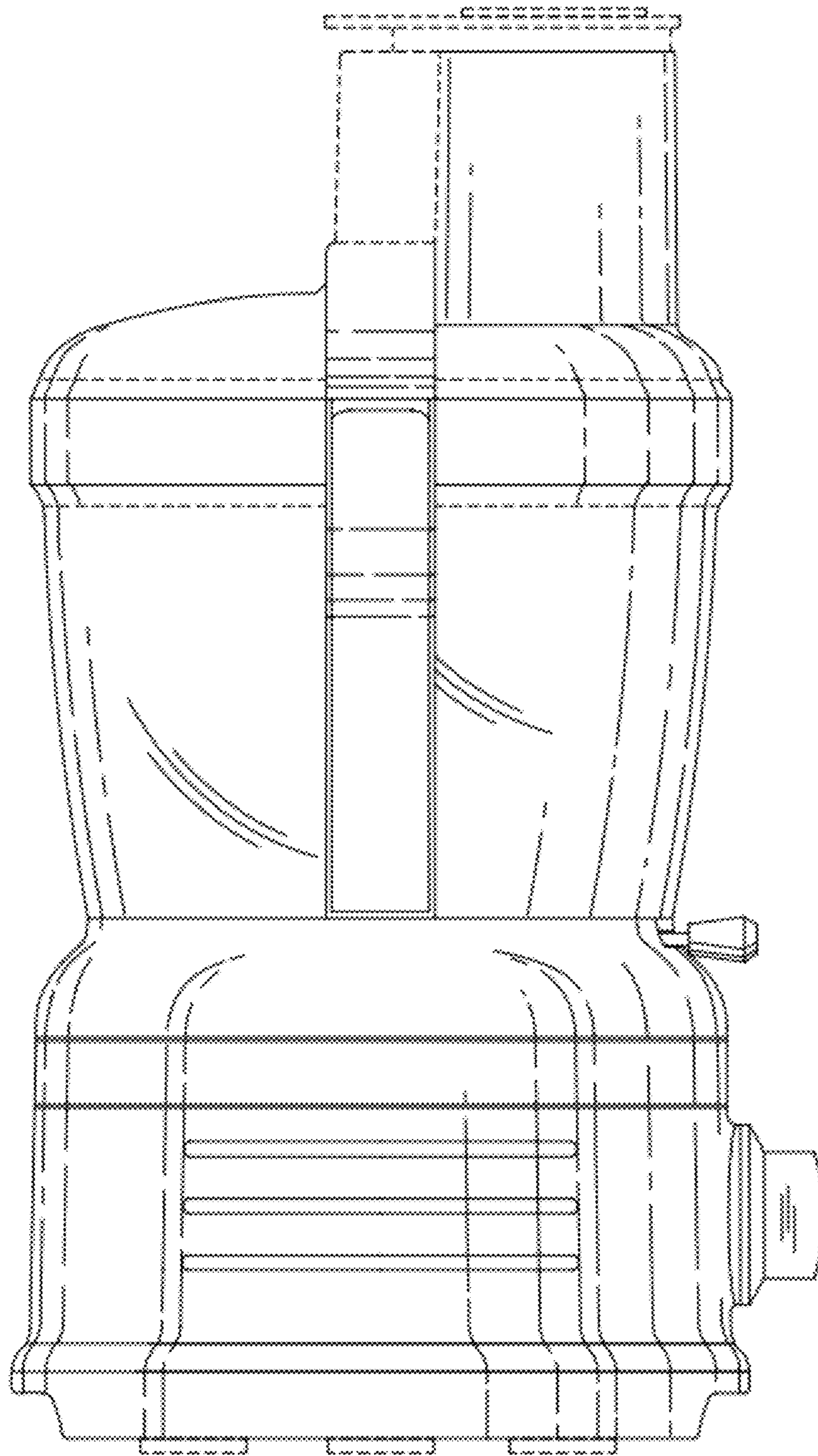


Fig. 5

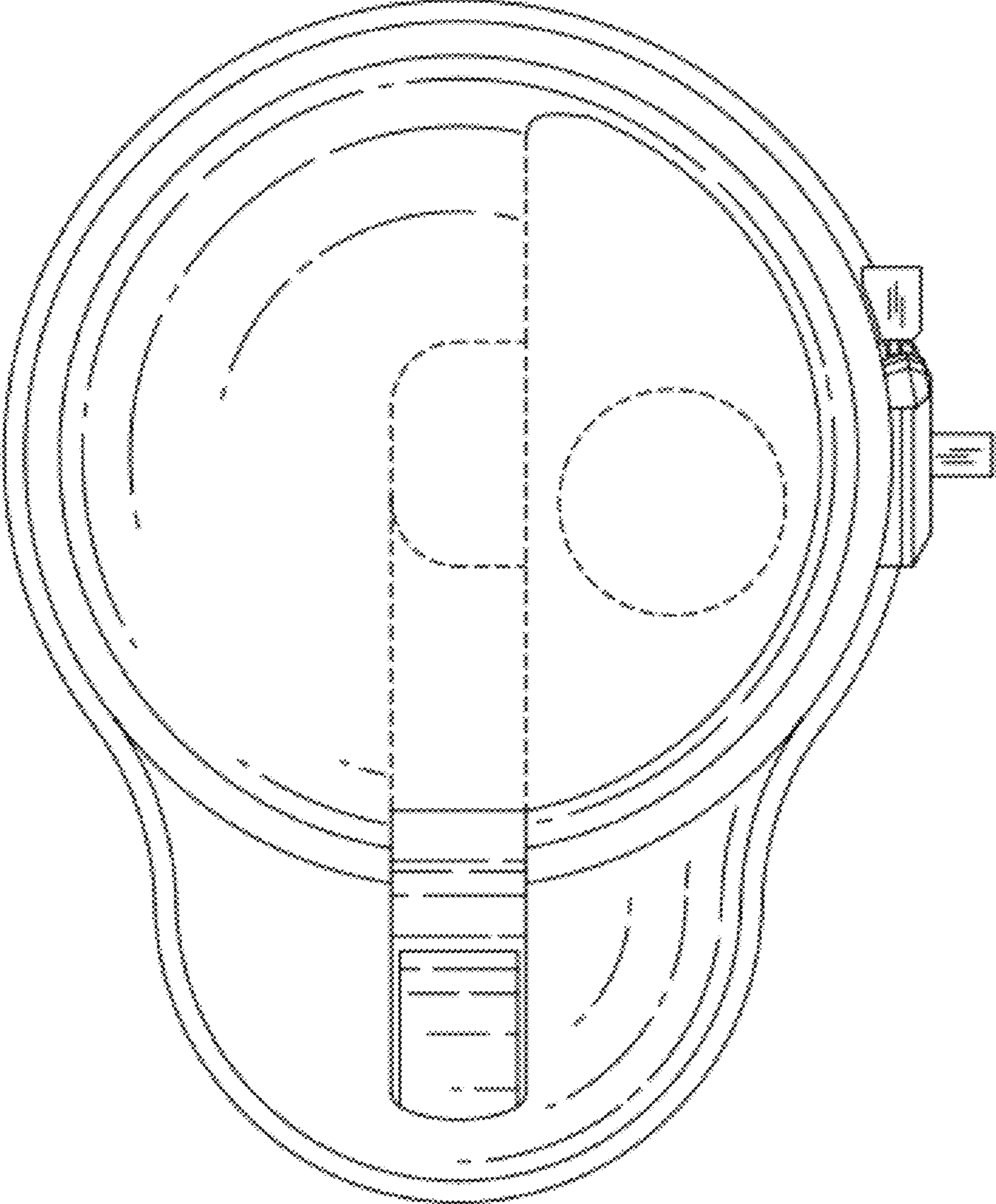


Fig. 6