



US00D667679S

(12) **United States Design Patent**
Carlson

(10) **Patent No.:** **US D667,679 S**
(45) **Date of Patent:** **** Sep. 25, 2012**

(54) **COOKING APPLIANCE**
(75) Inventor: **Drew Carlson**, Henrico, VA (US)
(73) Assignee: **Hamilton Beach Brands, Inc.**, Glen Allen, VA (US)
(**) Term: **14 Years**
(21) Appl. No.: **29/414,958**
(22) Filed: **Mar. 6, 2012**
(51) **LOC (9) Cl.** **07-02**
(52) **U.S. Cl.** **D7/354**
(58) **Field of Classification Search** D7/323, D7/329-332, 337, 346-347, 350.1-350.4, D7/353-367, 391, 393, 395, 402, 406, 538, D7/542; 99/324-325, 331-332, 337-340, 99/369, 400-418, 422, 425, 444, 483; 126/37 R, 126/41 R, 261, 378.1; 206/501-505, 507-508; 219/400, 405, 429-442, 620-624, 725, 730-735; 220/315, 573.1-573.5, 912; 426/438, 441
See application file for complete search history.

D590,654 S * 4/2009 Perkins et al. D7/354
D635,818 S 4/2011 Tse
D642,423 S * 8/2011 Seymour D7/363
D644,476 S 9/2011 Gregory et al.
D646,114 S 10/2011 Wong
D657,993 S * 4/2012 Pantaleo D7/357
D658,428 S * 5/2012 Seymour D7/363
2007/0210062 A1 * 9/2007 Gaynor et al. 219/442
* cited by examiner

Primary Examiner — Ricky Pham
(74) *Attorney, Agent, or Firm* — Alexander D. Raring

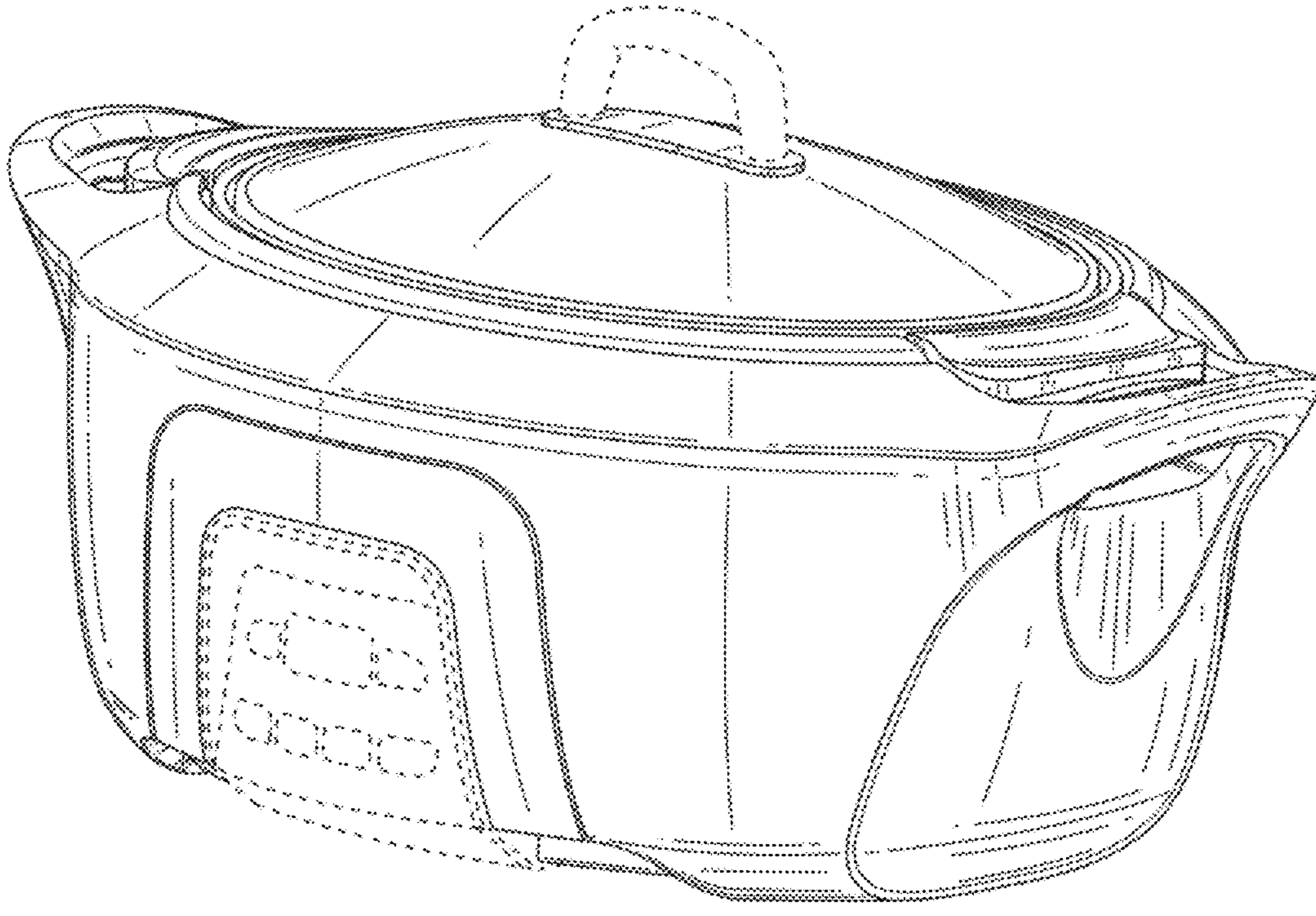
(57) **CLAIM**
The ornamental design for a cooking appliance, as shown and described.

DESCRIPTION

FIG. 1 is a perspective view as seen from the top, front and right side of a cooking appliance showing the new design; FIG. 2 is a front view thereof; FIG. 3 is a rear view thereof; FIG. 4 is a right side view thereof; FIG. 5 is a left side view thereof; FIG. 6 is a top view thereof; and, FIG. 7 is a bottom view thereof.
The broken lines in the drawings are included for illustrative purposes only and form no part of the claimed design.

(56) **References Cited**
U.S. PATENT DOCUMENTS
D433,869 S * 11/2000 Wong et al. D7/360
D547,609 S 7/2007 Chung
D556,504 S * 12/2007 Averty D7/360
D568,676 S * 5/2008 Steiner et al. D7/354

1 Claim, 7 Drawing Sheets



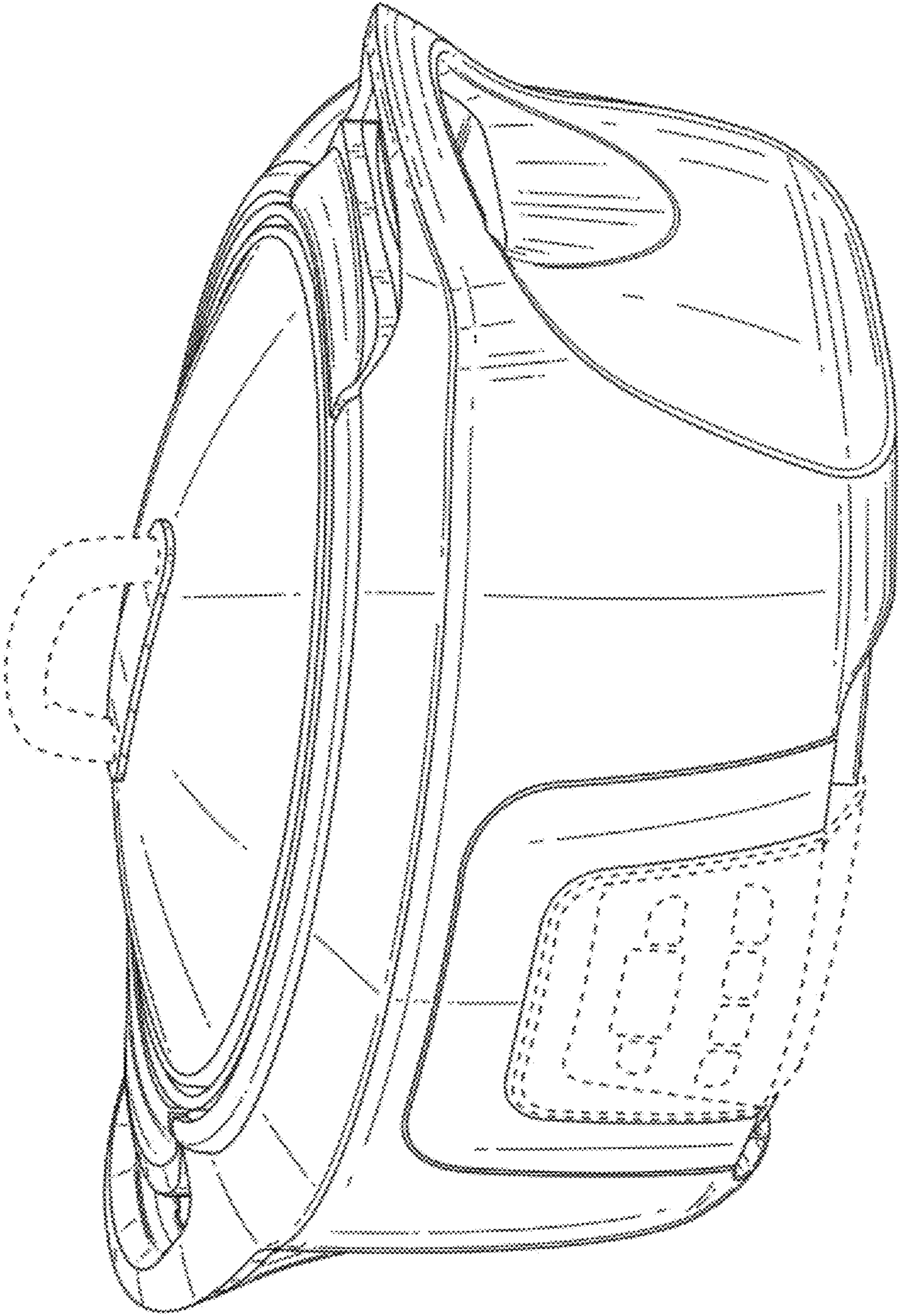


FIG. 1

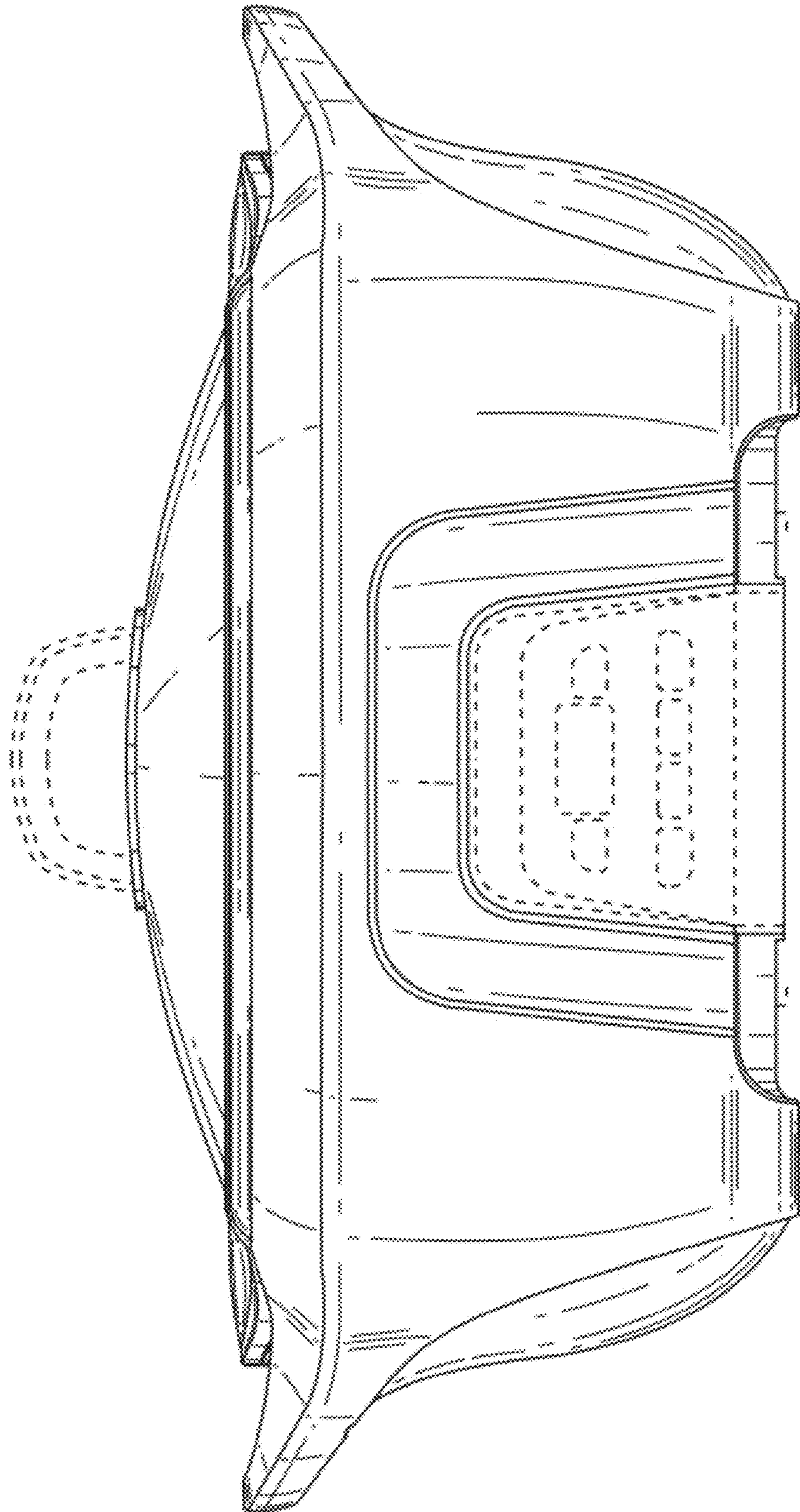


FIG. 2

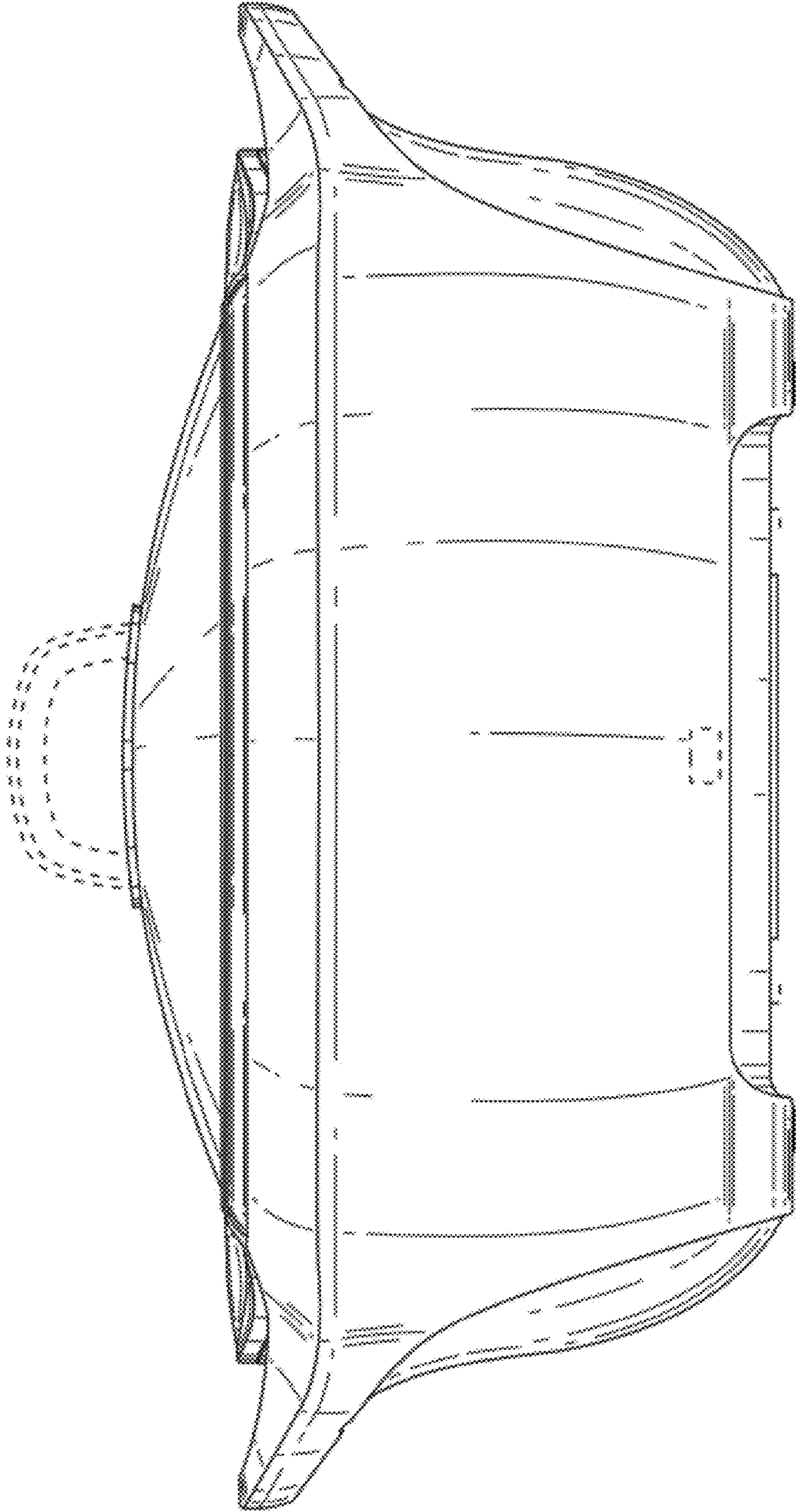


FIG. 3

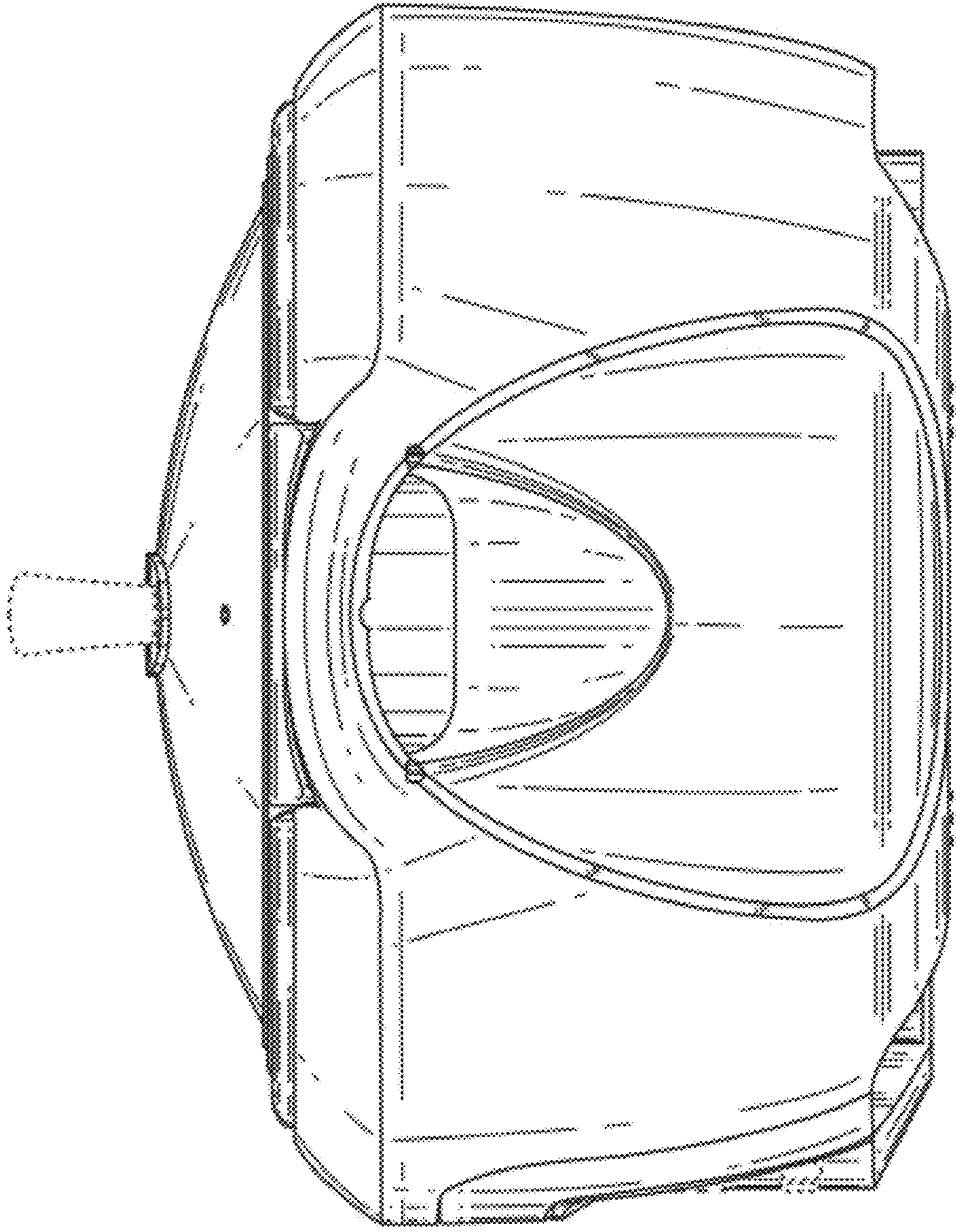


FIG. 4

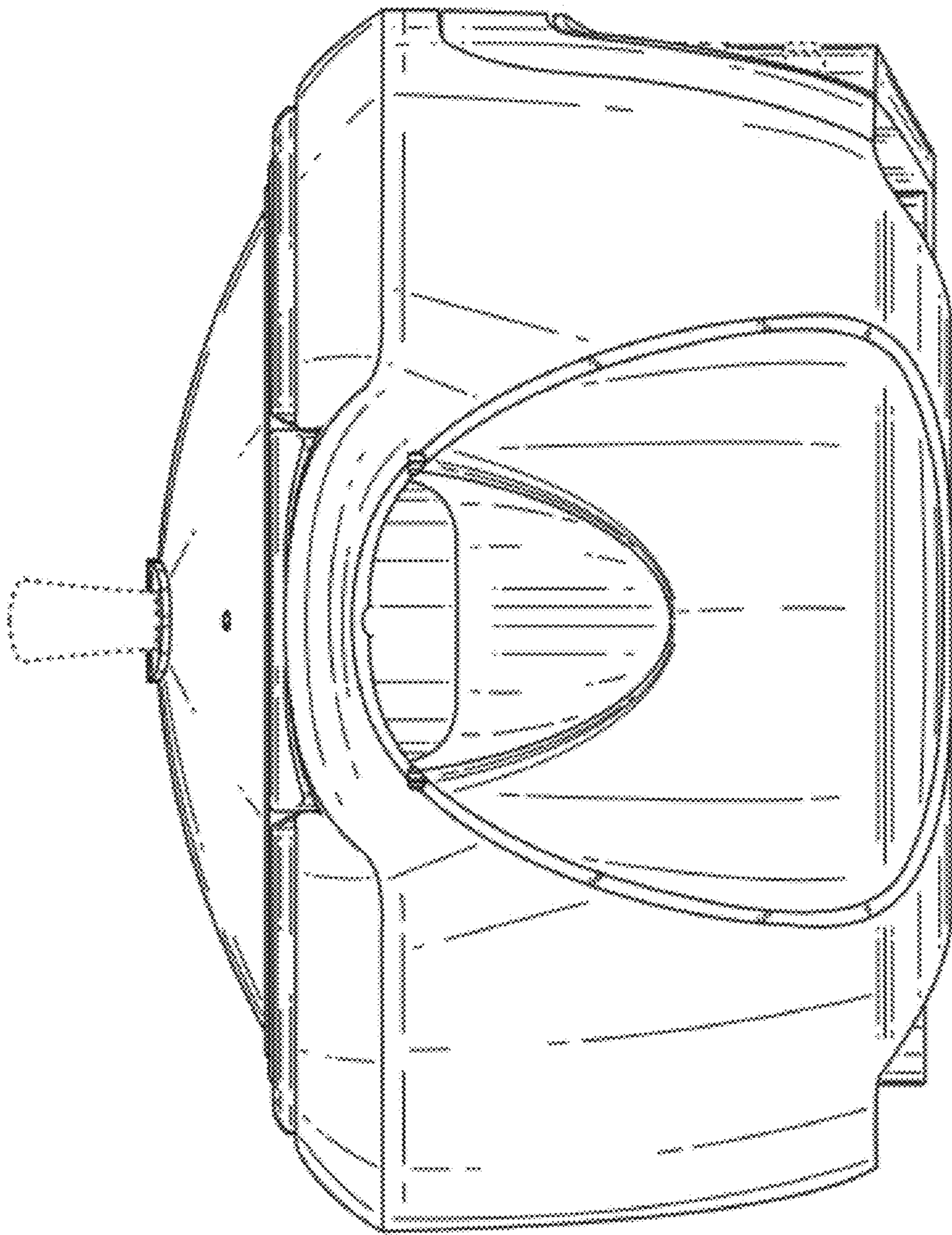


FIG. 5

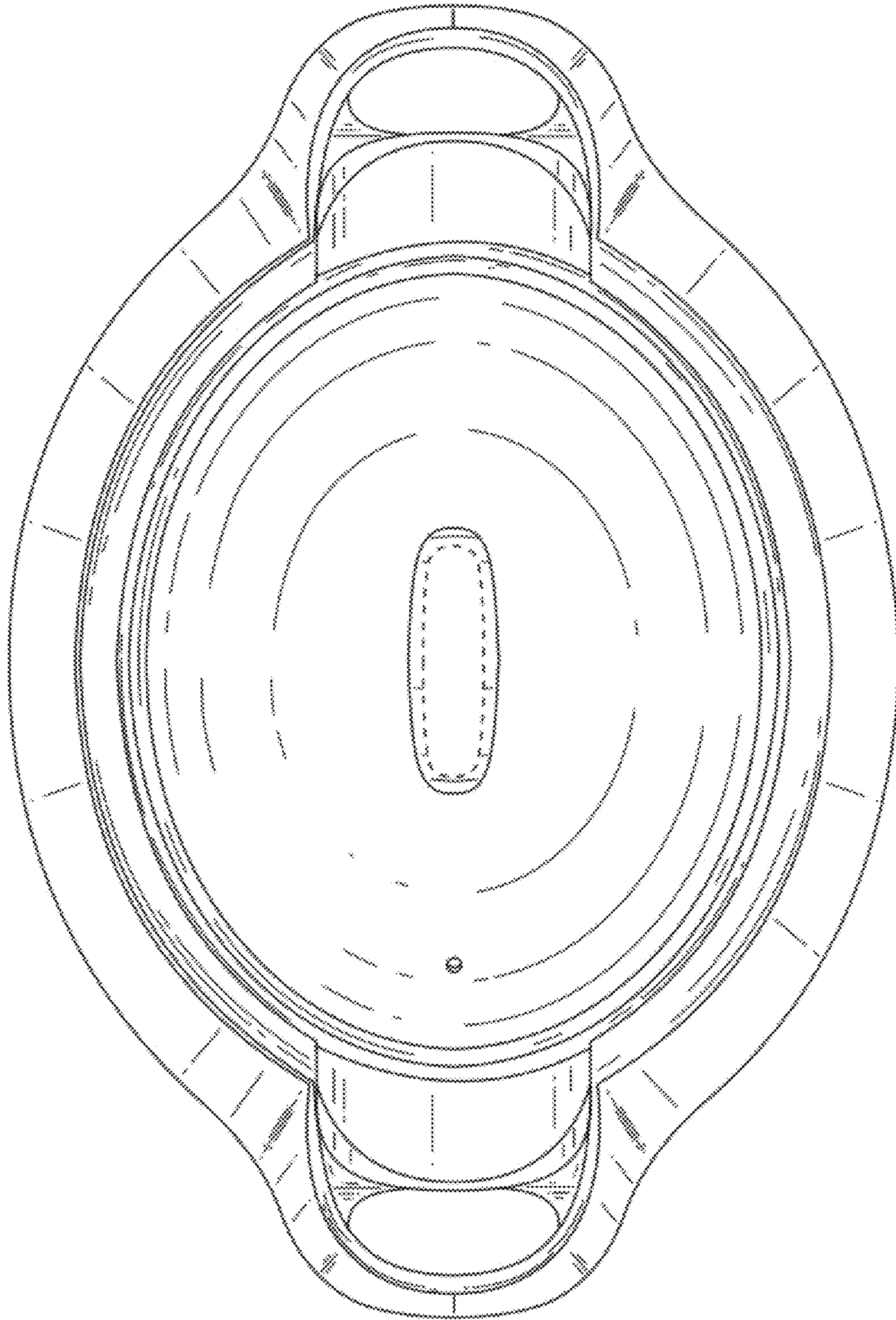


FIG. 6

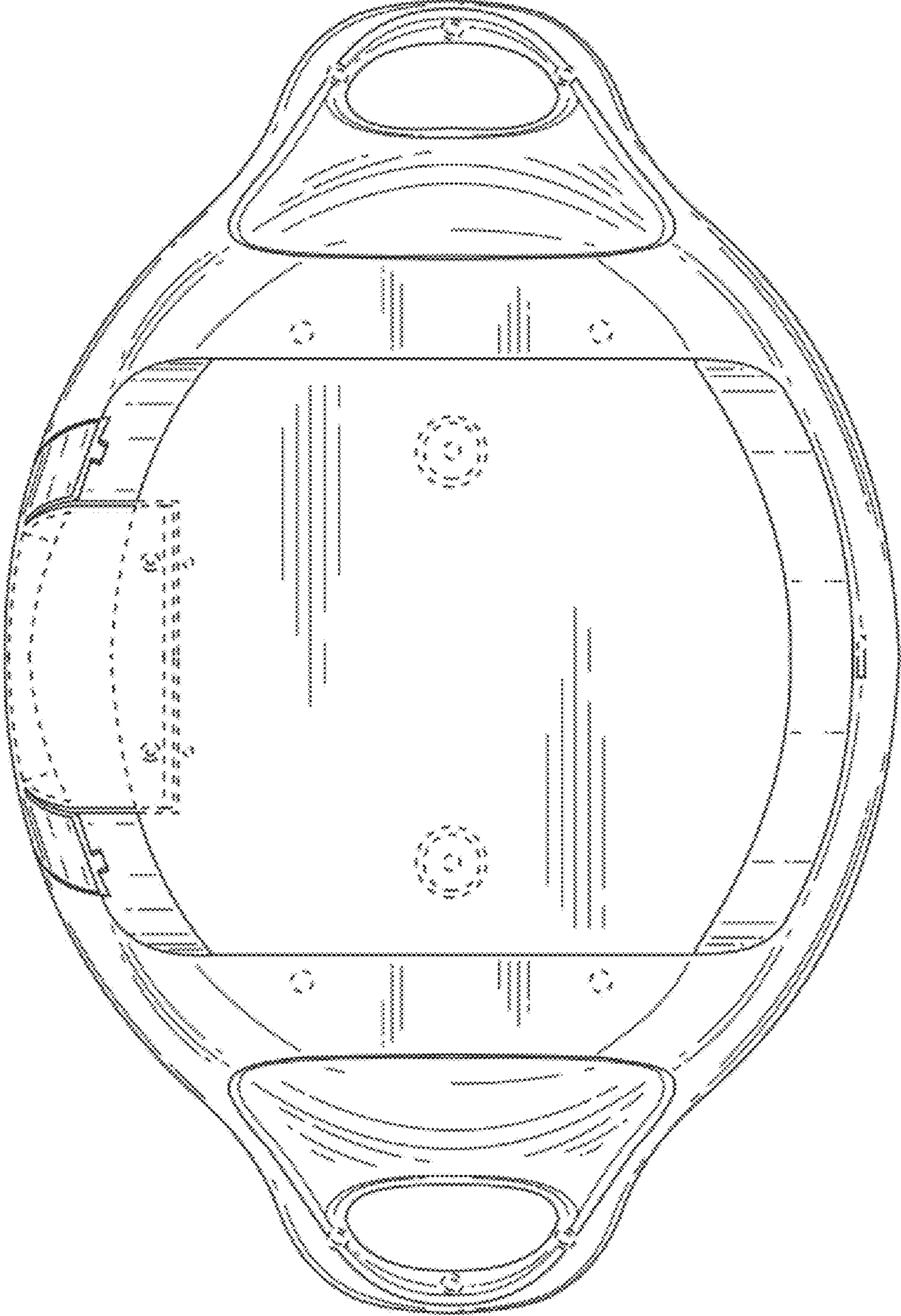


FIG. 7