



US00D667674S

(12) **United States Design Patent**
Wilder et al.

(10) **Patent No.:** **US D667,674 S**
(45) **Date of Patent:** **** Sep. 25, 2012**

(54) **LIQUID DISPENSER AND FILTER**
(75) Inventors: **Haim Wilder**, Raanana (IL); **Eyal Krystal**, Kfar Saba (IL); **Omri Bar-On**, Jerusalem (IL); **Shlomi Hillel**, Petach Tikva (IL)
(73) Assignee: **Strauss Water Ltd**, Petach Tikva (IL)
(**) Term: **14 Years**

7,703,382 B2 * 4/2010 Oranski et al. 99/295
D622,998 S * 9/2010 Ashbridge D7/306
D622,999 S * 9/2010 Murauyou et al. D7/309
D623,461 S * 9/2010 Ashbridge D7/306
D623,462 S * 9/2010 Ashbridge D7/306
D637,692 S * 5/2011 Riedel D23/209
7,987,769 B2 * 8/2011 Oranski et al. 99/295
D646,109 S * 10/2011 Zoppellari D7/309
D648,972 S * 11/2011 Buttler D7/309
D649,390 S * 11/2011 Santoiemmo D7/306
D649,826 S * 12/2011 Garman D7/306
D650,886 S * 12/2011 Bridges et al. D23/207

* cited by examiner

(21) Appl. No.: **29/389,614**
(22) Filed: **Apr. 14, 2011**

Primary Examiner — Marianne Pandozzi

(74) *Attorney, Agent, or Firm* — Nath, Goldberg & Meyer;
Jerald L. Meyer

(30) **Foreign Application Priority Data**

Oct. 14, 2010 (IL) 50163

(51) **LOC (9) Cl.** **07-01**

(52) **U.S. Cl.** **D7/306; D7/311**

(58) **Field of Classification Search** D7/306–311,
D7/300; D6/545, 542; 99/295, 305; D23/209,
D23/207; 222/146.6

See application file for complete search history.

(57) **CLAIM**

The ornamental design for a liquid dispenser and filter, as shown and described.

DESCRIPTION

FIG. 1 is a perspective view of a liquid dispenser and filter showing our new design;

FIG. 2 is a left side elevational view thereof;

FIG. 3 is a right side elevational view thereof;

FIG. 4 is a front elevational view thereof;

FIG. 5 is a rear elevational view thereof;

FIG. 6 is a top plan view thereof;

FIG. 7 is a bottom plan view thereof; and,

FIG. 8 is a bottom perspective view thereof.

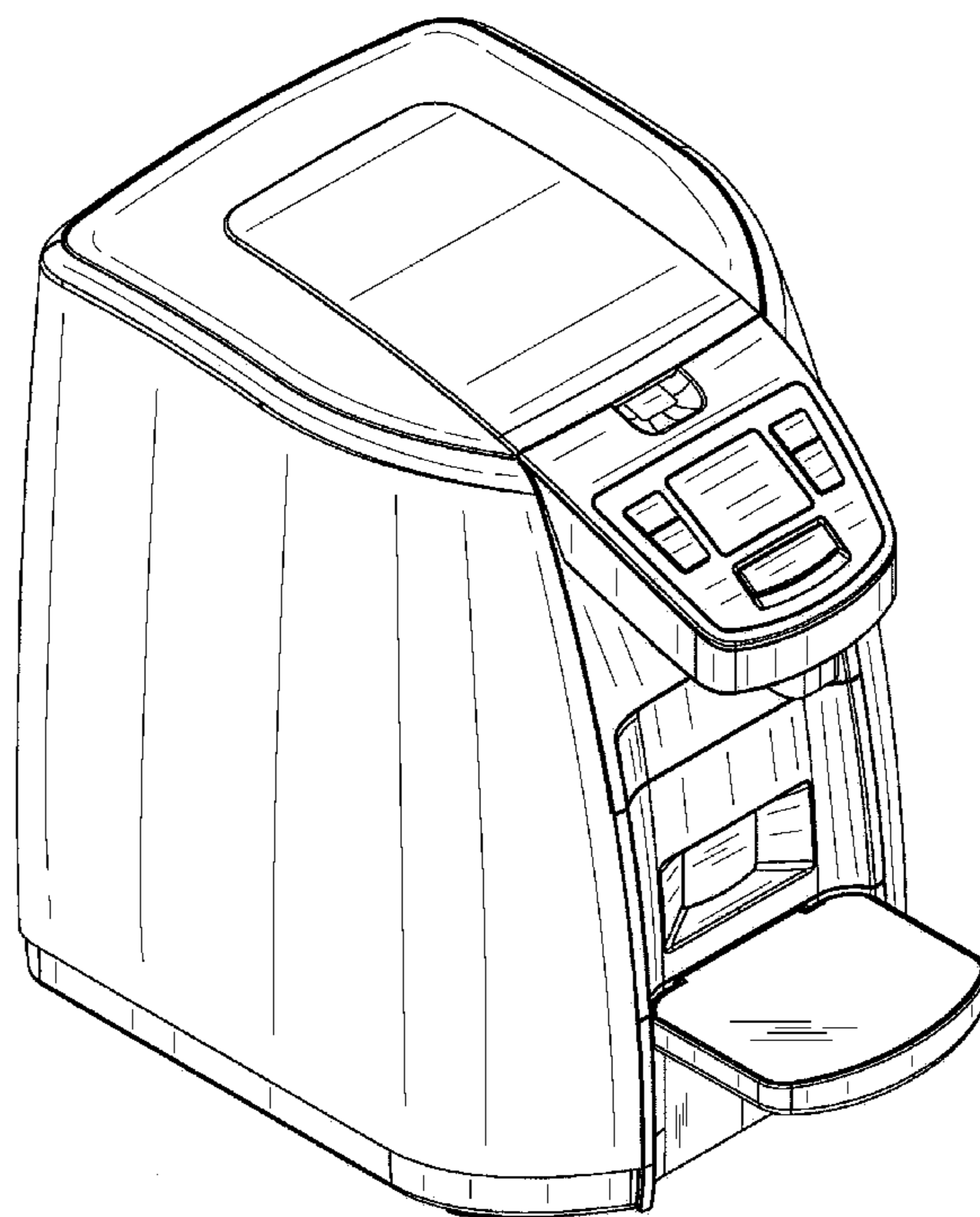
The parts delineated in broken part do not constitute part of the claimed design.

(56) **References Cited**

U.S. PATENT DOCUMENTS

D323,875 S * 2/1992 Kang et al. D23/209
D414,241 S * 9/1999 Burchard et al. D23/209
D466,969 S * 12/2002 Druga D23/209
D472,604 S * 4/2003 Fritze D23/209
D486,880 S * 2/2004 Gracias et al. D23/207
D546,412 S * 7/2007 Kennedy et al. D23/209
D570,951 S * 6/2008 Morita et al. D23/209
D581,716 S * 12/2008 Harris, III D7/307

1 Claim, 8 Drawing Sheets



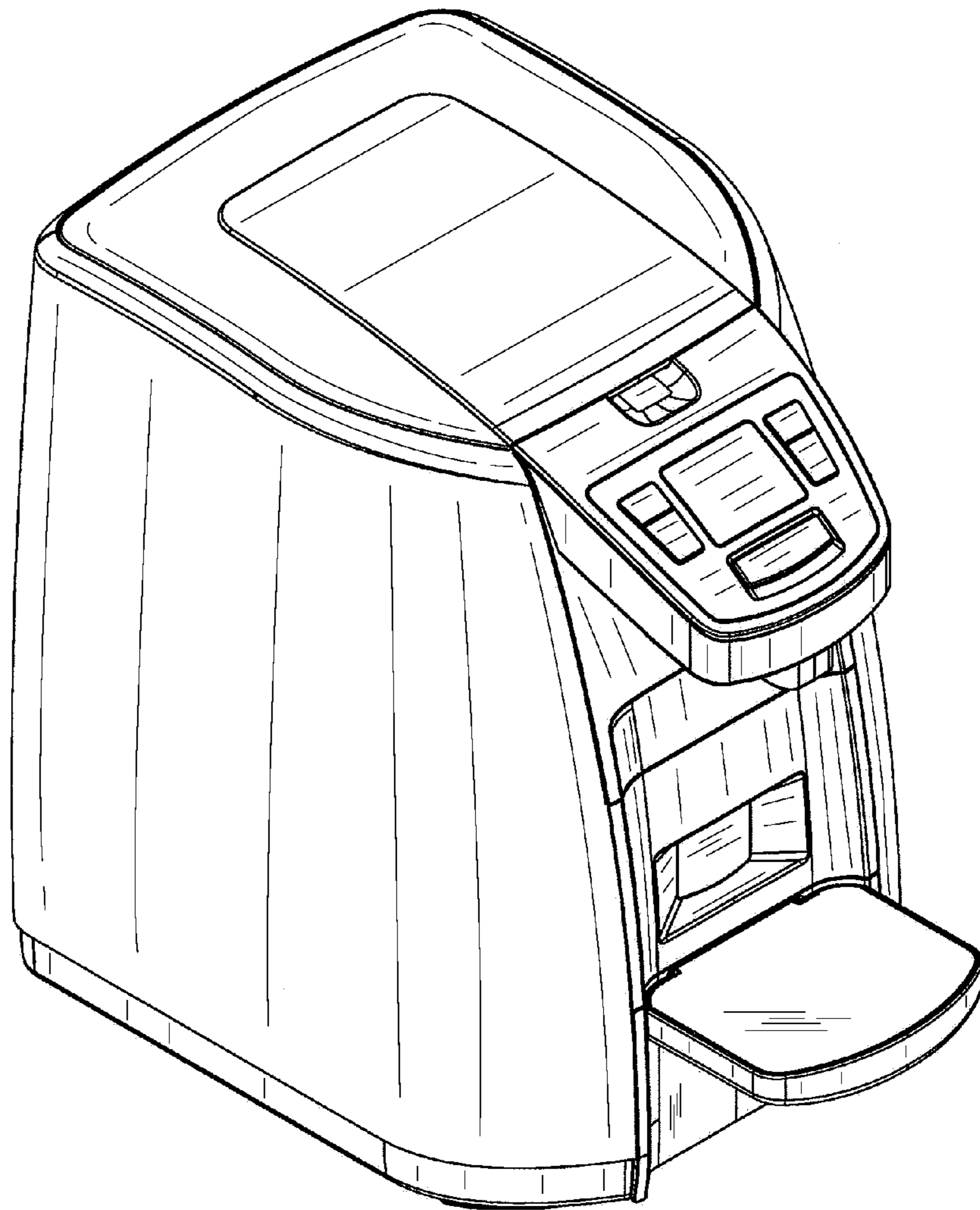


FIG. 1

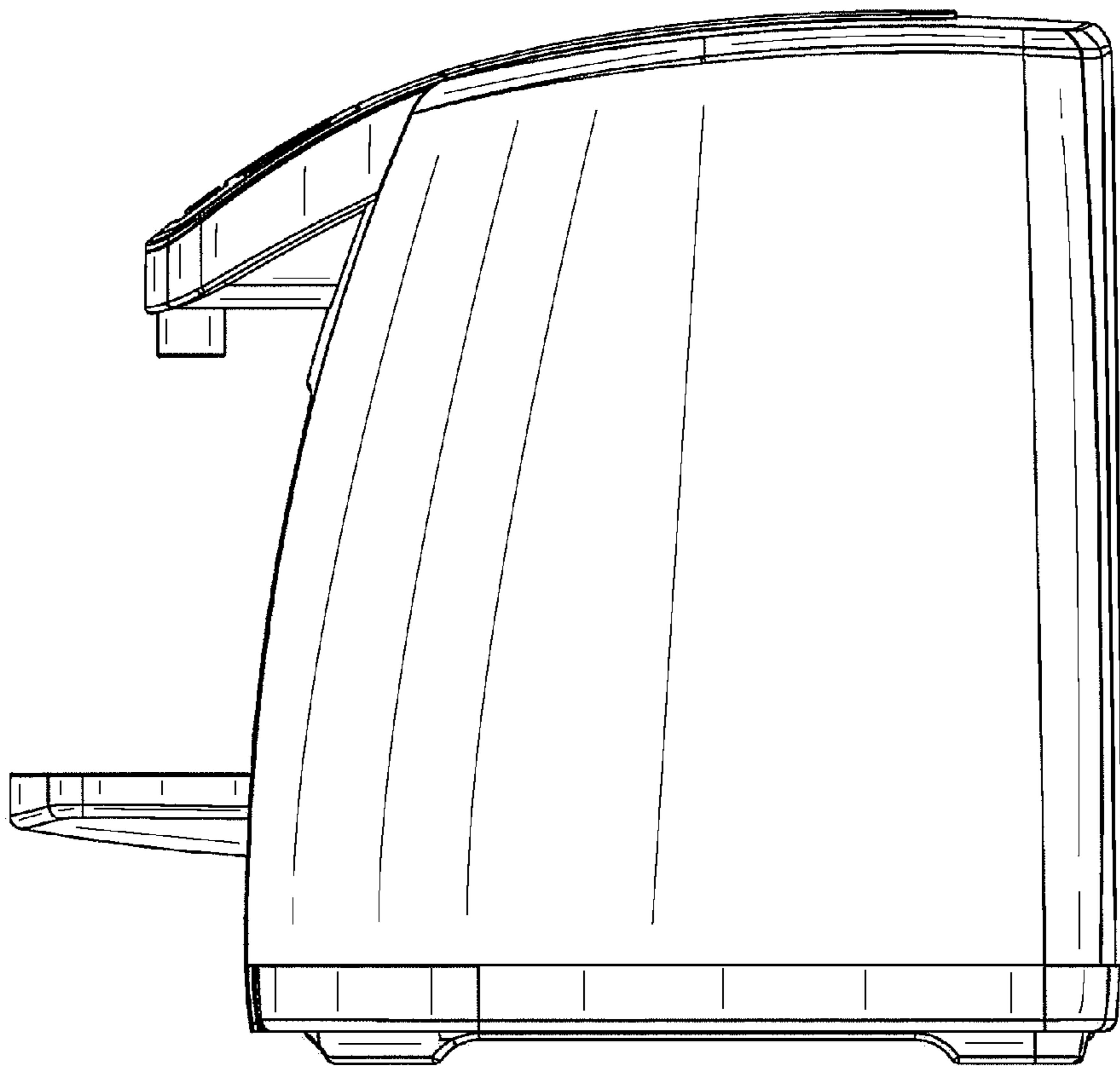


FIG. 2

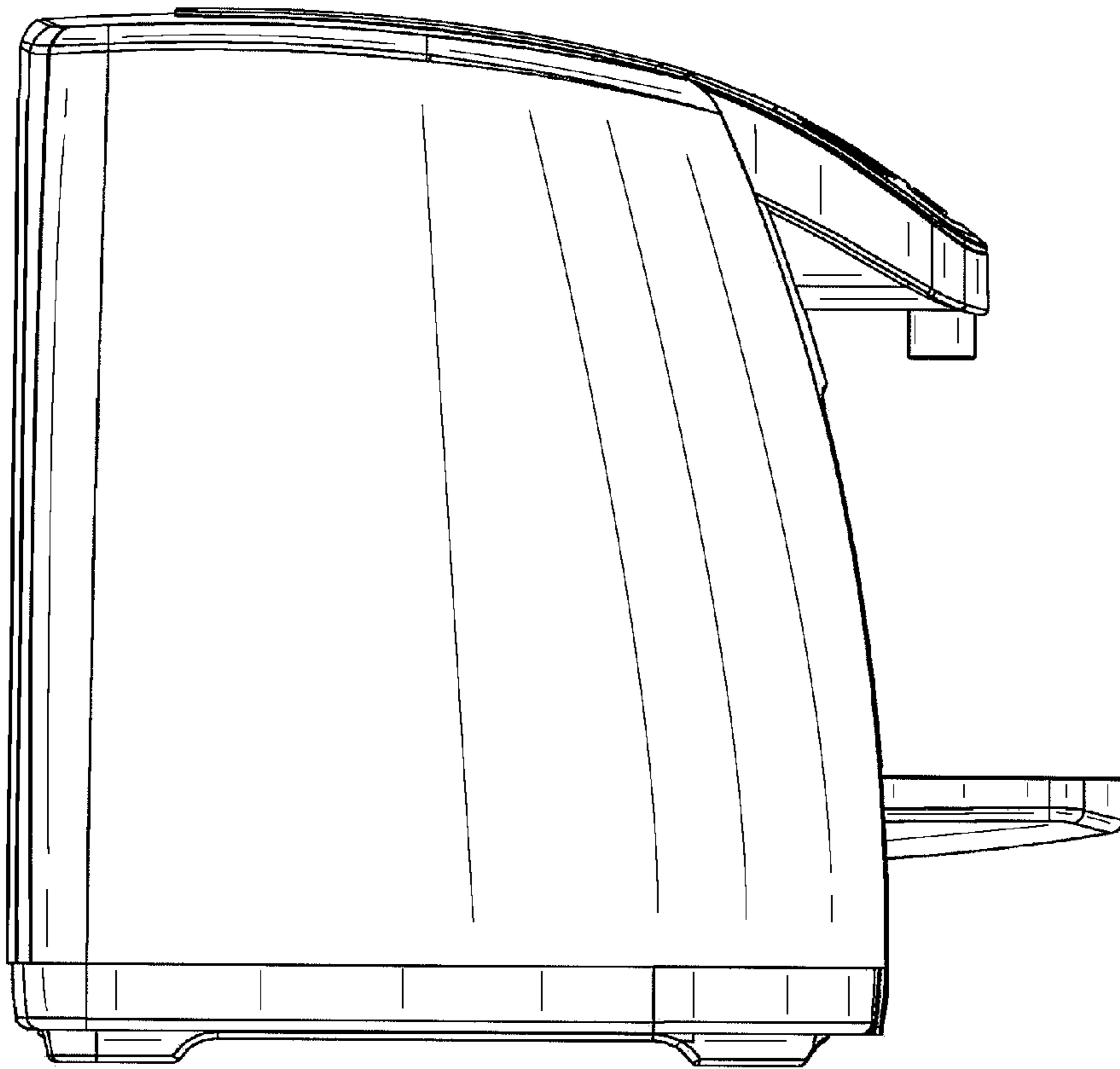


FIG. 3

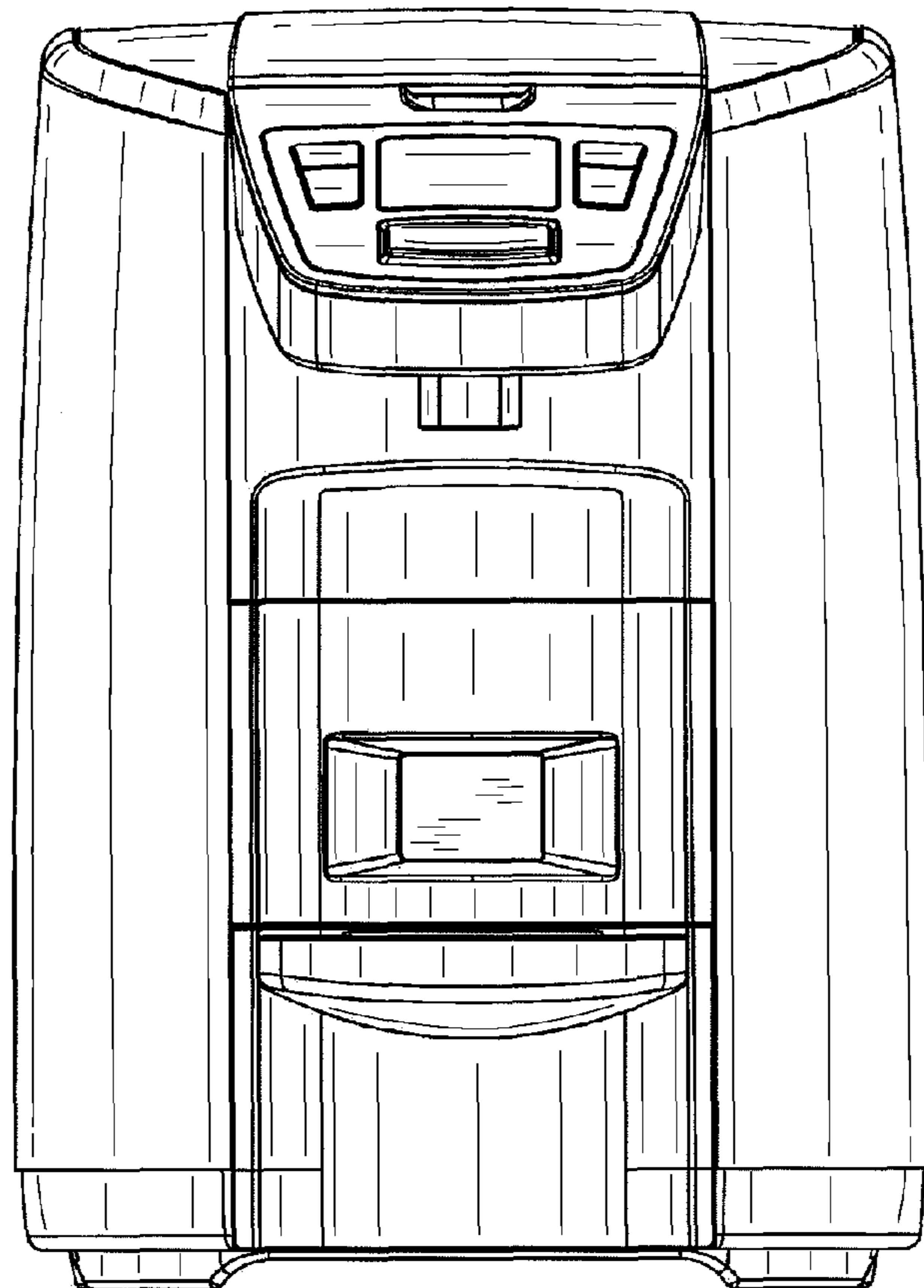


FIG. 4

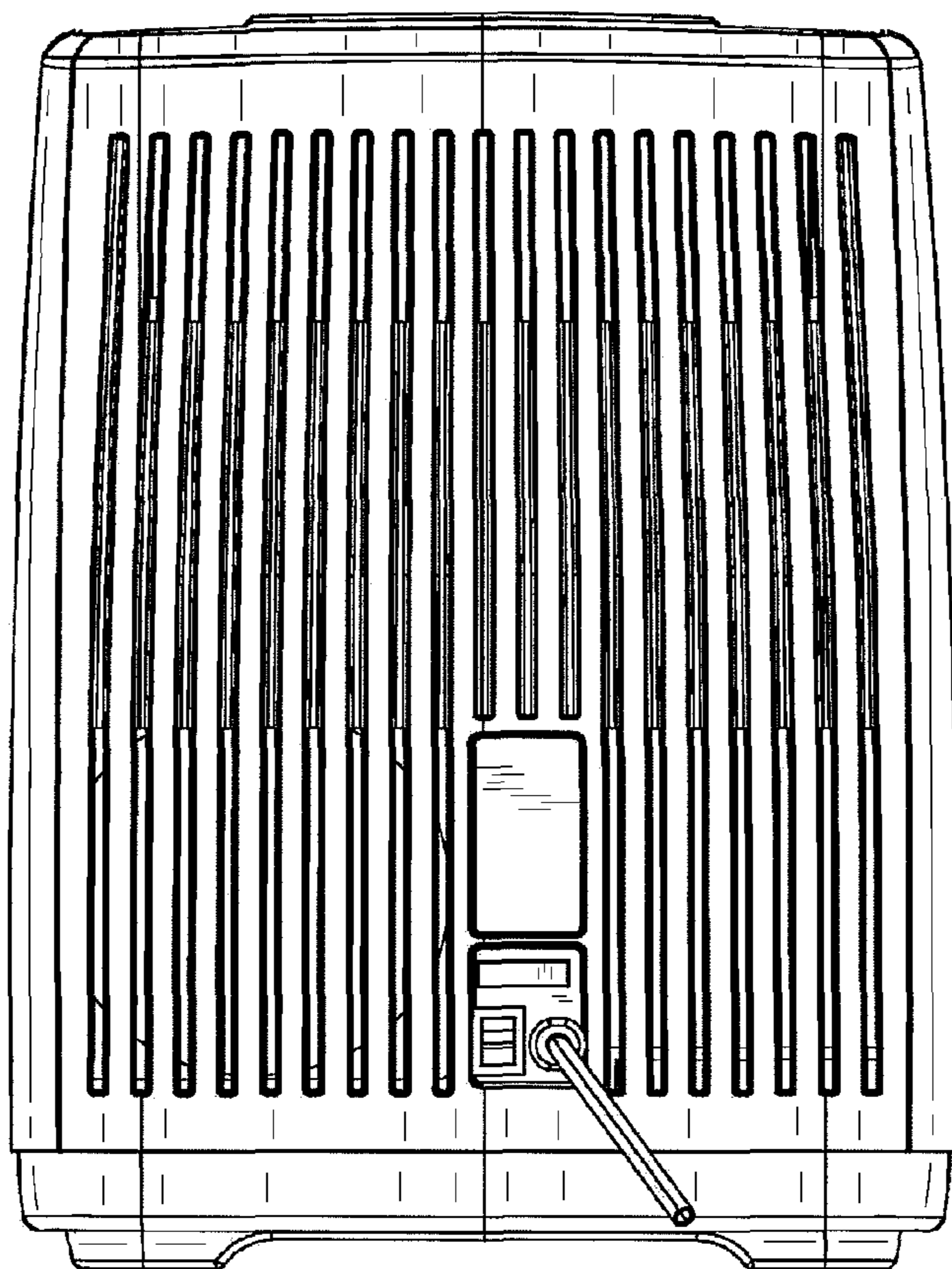


FIG. 5

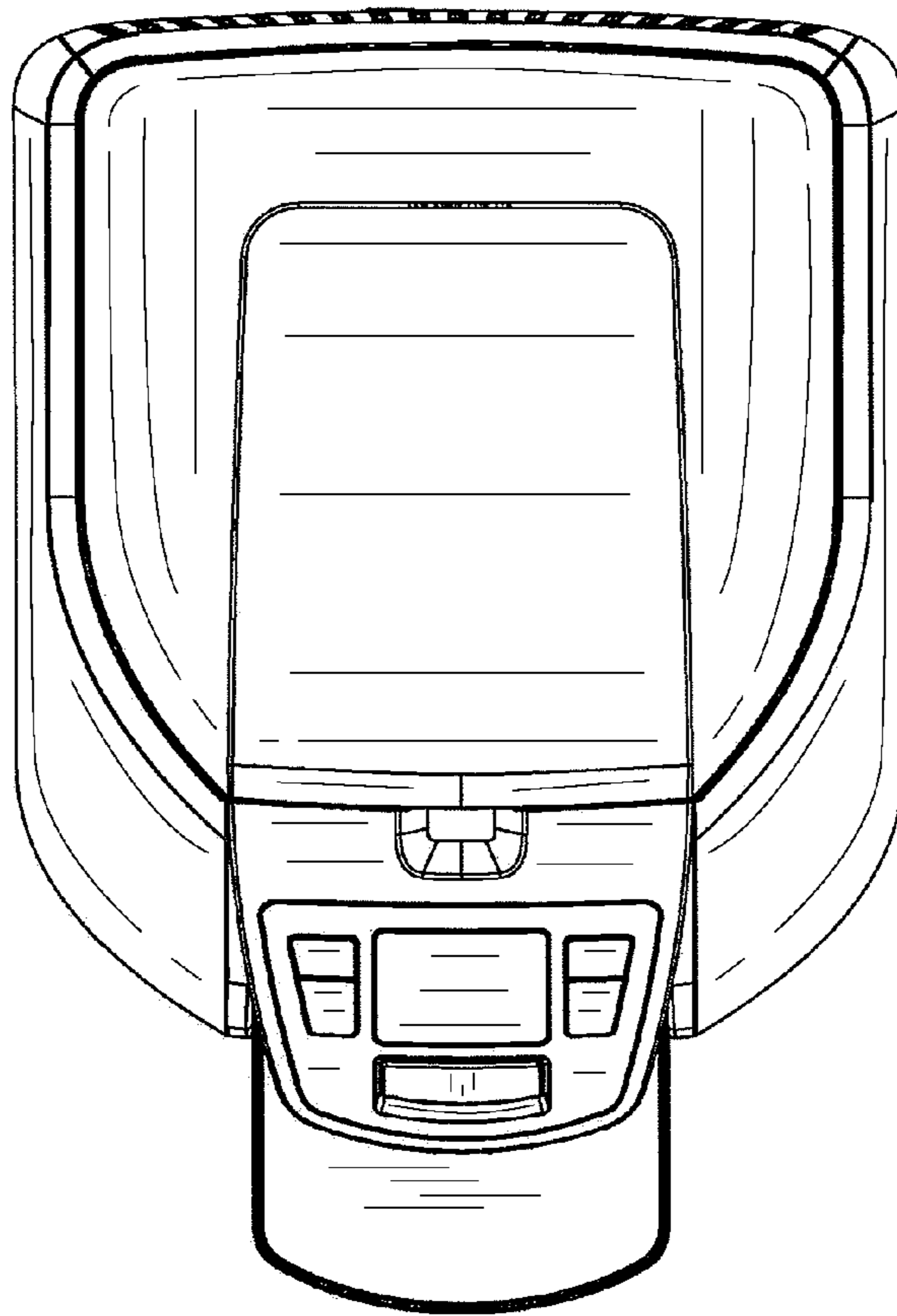


FIG. 6

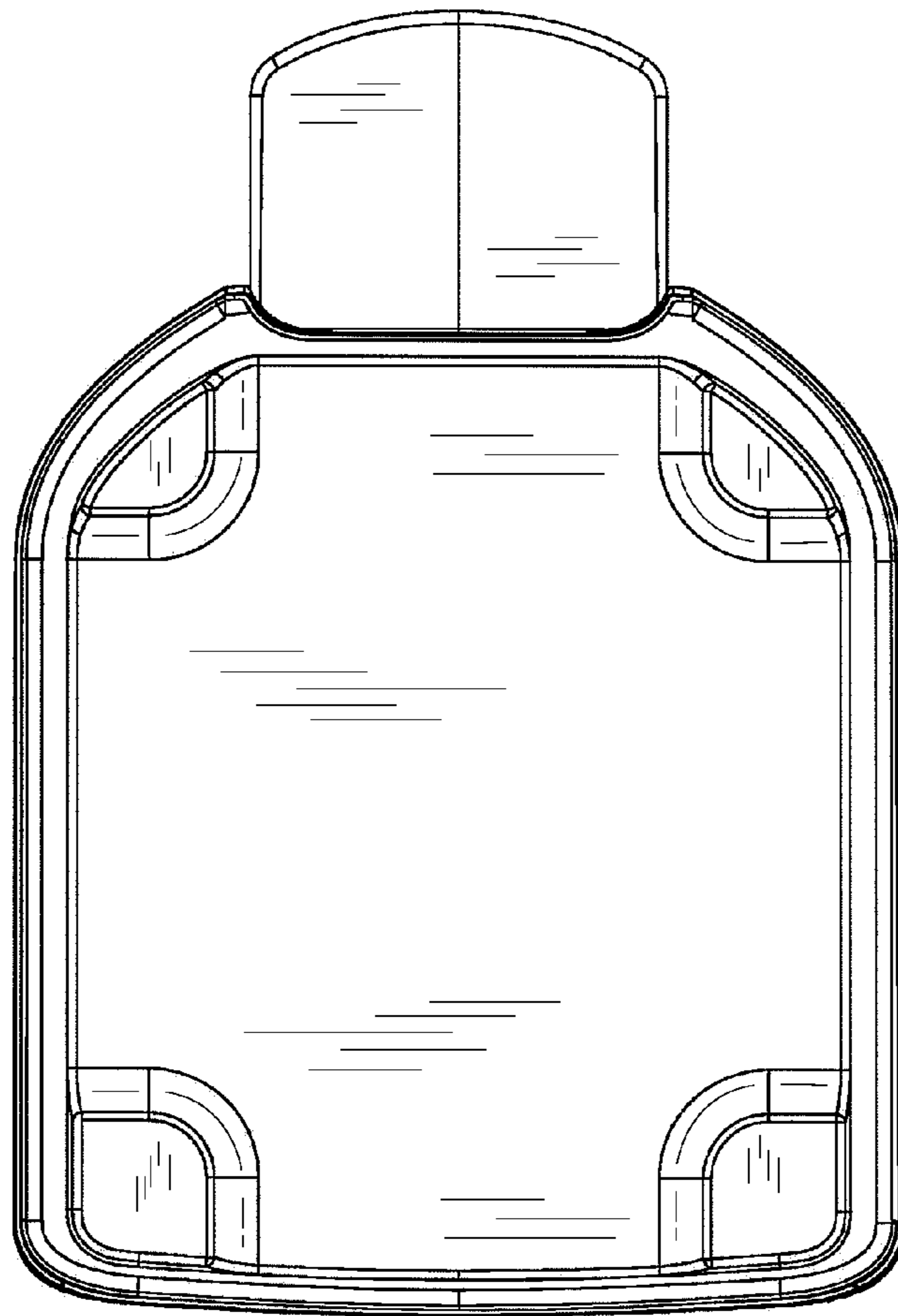


FIG. 7

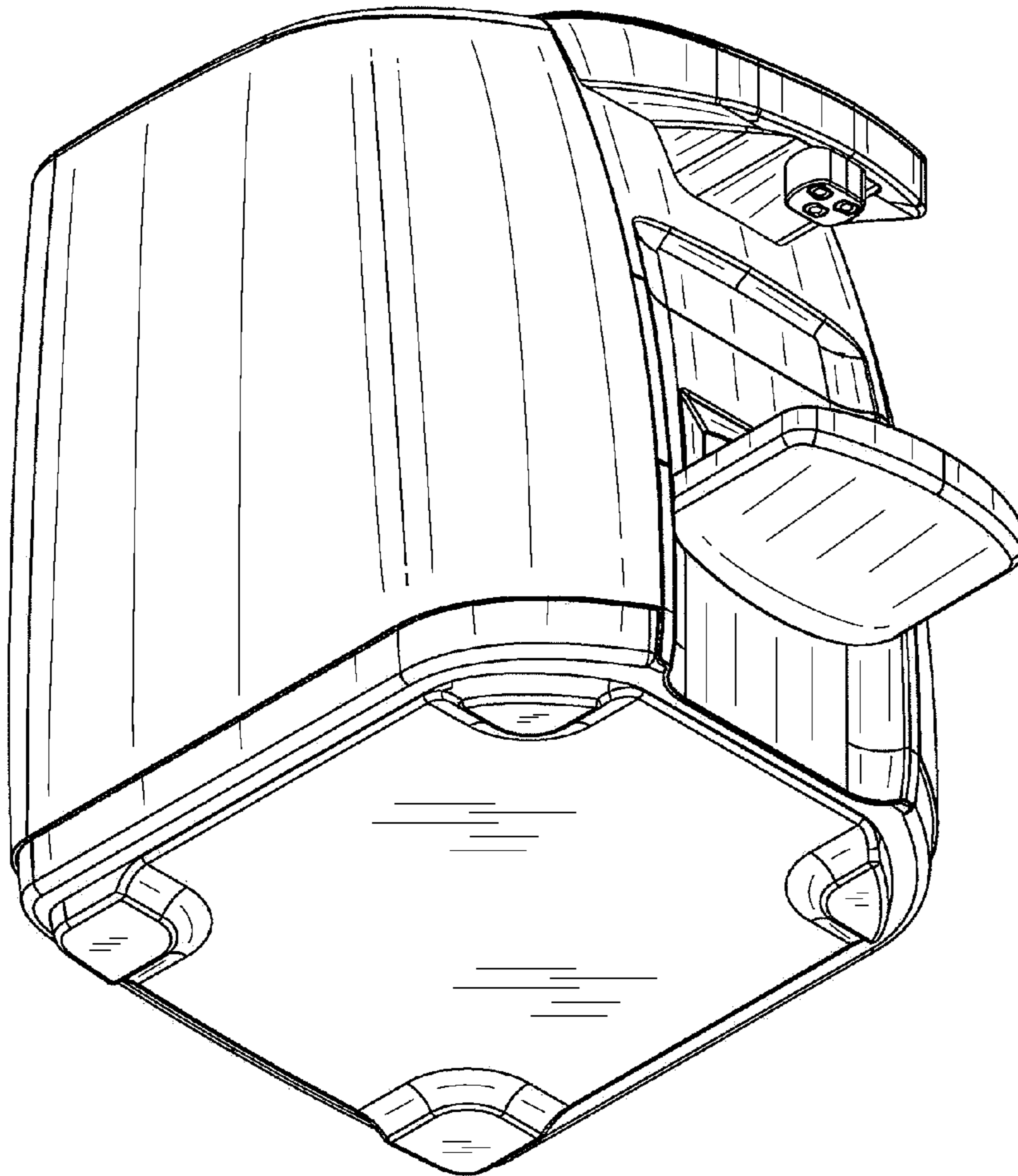


FIG. 8