



US00D667673S

(12) **United States Design Patent**
Stein

(10) **Patent No.:** **US D667,673 S**

(45) **Date of Patent:** **** Sep. 25, 2012**

- (54) **RACING HELMET THEMED BEVERAGE DISPENSER**
- (75) Inventor: **David J. Stein**, Plain City, OH (US)
- (73) Assignee: **Beertubes.com, LLC**, Plain City, OH (US)
- (**) Term: **14 Years**
- (21) Appl. No.: **29/393,794**
- (22) Filed: **Jun. 9, 2011**
- (51) **LOC (9) Cl.** **07-01**
- (52) **U.S. Cl.** **D7/301; D7/306**
- (58) **Field of Classification Search** D7/301, D7/309, 306, 901, 313; D9/632; 222/129.1–129.4; 99/295, 279; 2/422, 413; D6/515; D29/107
See application file for complete search history.

D545,108 S *	6/2007	Stein	D7/301
D546,110 S *	7/2007	Stein	D7/301
D560,413 S *	1/2008	Stein	D7/301
D586,621 S *	2/2009	Thompson	D7/515
D587,954 S *	3/2009	Stein	D7/301
D588,852 S *	3/2009	Stein	D7/301
D593,789 S *	6/2009	Herbst et al.	D7/301
D596,462 S *	7/2009	Serruya et al.	D7/515
D597,780 S *	8/2009	Desrochers	D7/306
D599,157 S *	9/2009	Stein	D7/301
D599,158 S *	9/2009	Stein	D7/301
D599,159 S *	9/2009	Stein	D7/306
D604,540 S *	11/2009	Lochen	D6/515
D605,443 S *	12/2009	Lochen	D6/515
D611,287 S *	3/2010	Lochen	D7/301
D616,241 S *	5/2010	Stein	D7/301
D619,408 S *	7/2010	Hughes et al.	D7/301
7,975,602 B2 *	7/2011	Herbst et al.	99/279
D656,359 S *	3/2012	Stein	D7/379
D661,535 S *	6/2012	Hughes et al.	D7/301
D661,537 S *	6/2012	Hughes et al.	D7/301

* cited by examiner

(56) **References Cited**

U.S. PATENT DOCUMENTS

D75,740 S	7/1928	Look	
D103,078 S *	2/1937	Harrison D7/313
D249,396 S *	9/1978	Kamata D29/107
4,242,757 A *	1/1981	Nava 2/10
D262,711 S *	1/1982	Cox et al. D7/313
D289,610 S *	5/1987	Neyer D9/632
D312,513 S *	11/1990	Morin D29/107
D337,242 S	7/1993	Steinfels, III	
D344,659 S	3/1994	Hsu	
D363,855 S *	11/1995	Van Blankenburg D7/515
5,485,913 A	1/1996	Steinfels, III	
D369,529 S	5/1996	Blankenburg	
D370,836 S *	6/1996	Van Blankenburg D7/625
D406,403 S *	3/1999	Simpson D29/107
D412,262 S	7/1999	Roundtree	
D431,145 S	9/2000	Woebcke	
D440,823 S *	4/2001	Steinfels D7/515
D441,607 S	5/2001	Steinfels	
D446,357 S *	8/2001	Shida D29/107
D471,060 S	3/2003	Salsman	
D499,598 S	12/2004	Guadalupi	

Primary Examiner — Marianne Pandozzi

(74) *Attorney, Agent, or Firm* — Michael J. Gallagher; David J. Dawsey; Gallagher & Dawsey Co., LPA

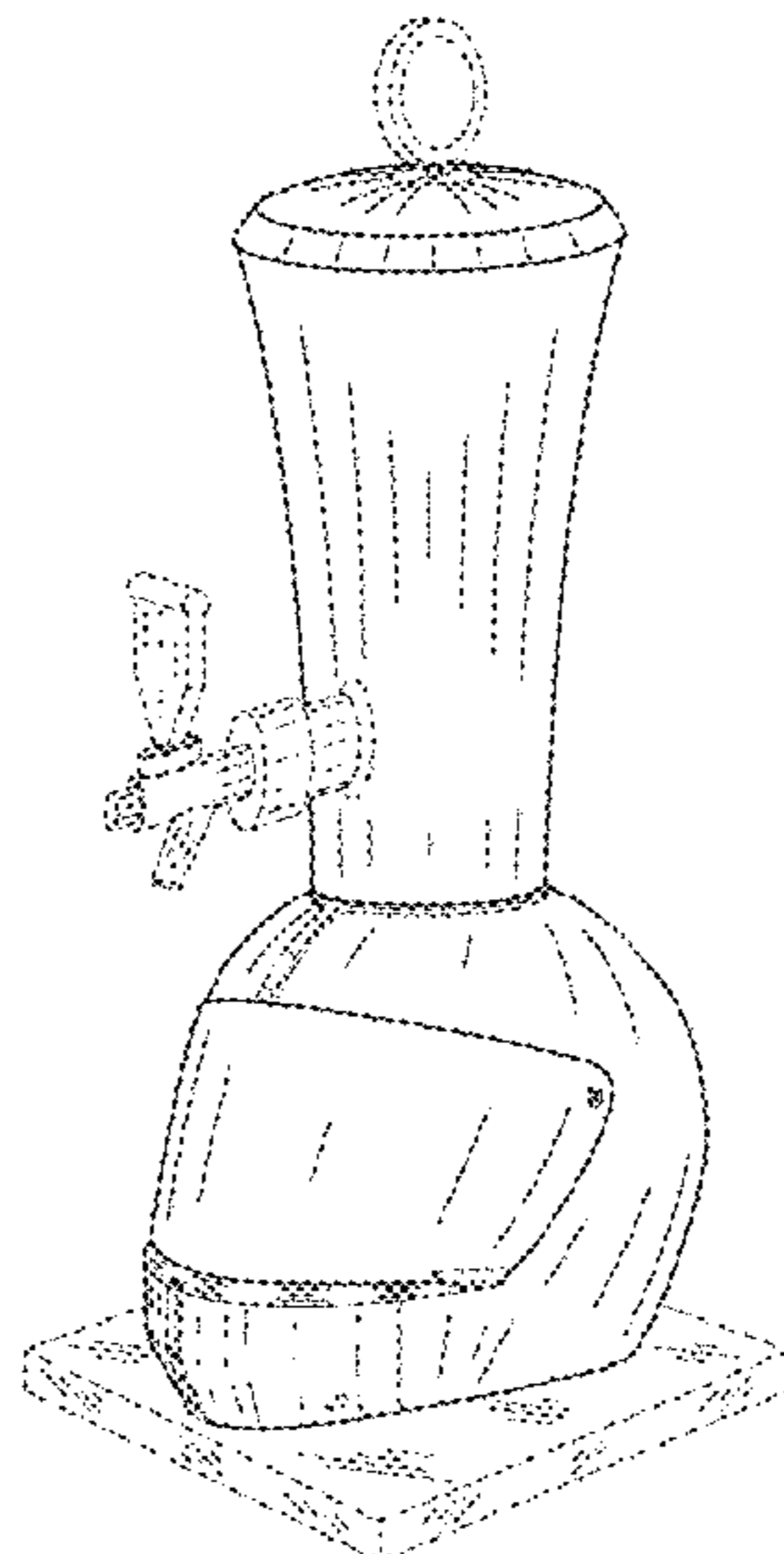
(57) **CLAIM**

I claim the ornamental design for a racing helmet themed beverage dispenser, as shown and described.

DESCRIPTION

FIG. 1 is a left side isometric view of a racing helmet themed beverage dispenser showing my new design; FIG. 2 is a front elevation view thereof; FIG. 3 is a rear elevation view thereof; FIG. 4 is a left side elevation view thereof; FIG. 5 is a right side elevation view thereof; FIG. 6 is a top plan view thereof; and, FIG. 7 is a bottom plan view thereof. The broken lines in the drawings are included for the purpose of illustration and forms no part of the claimed design.

1 Claim, 4 Drawing Sheets



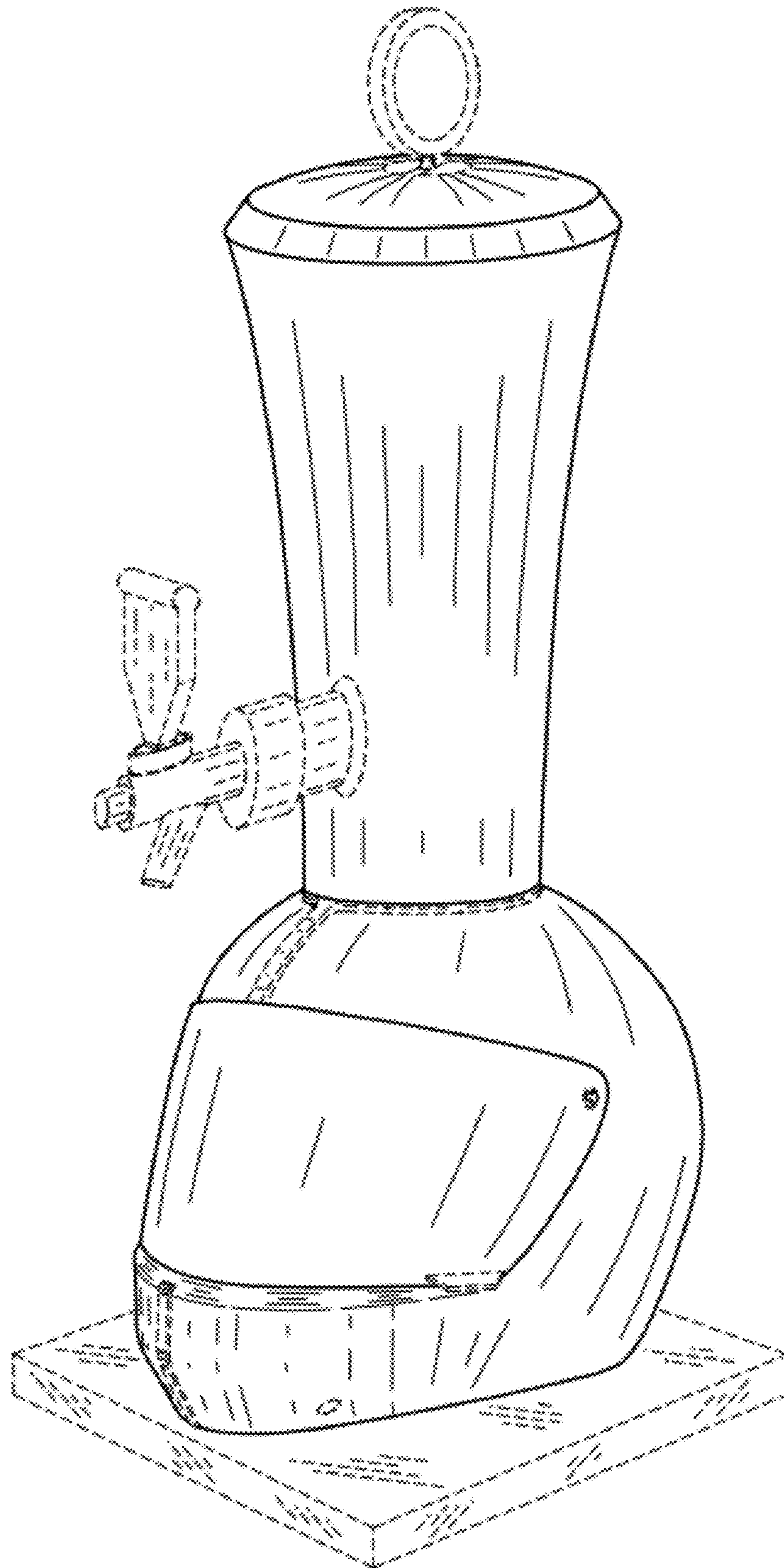


Fig. 1

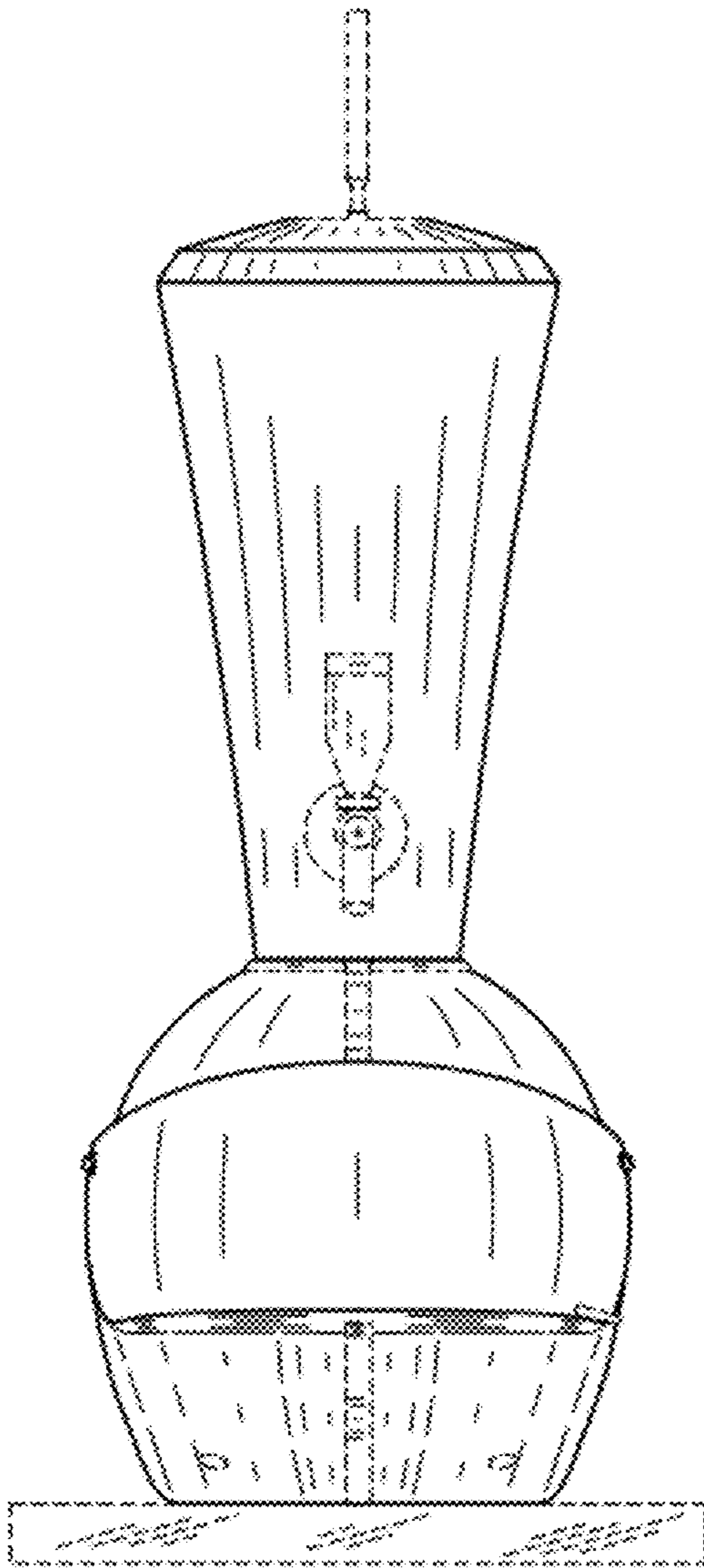


Fig. 2

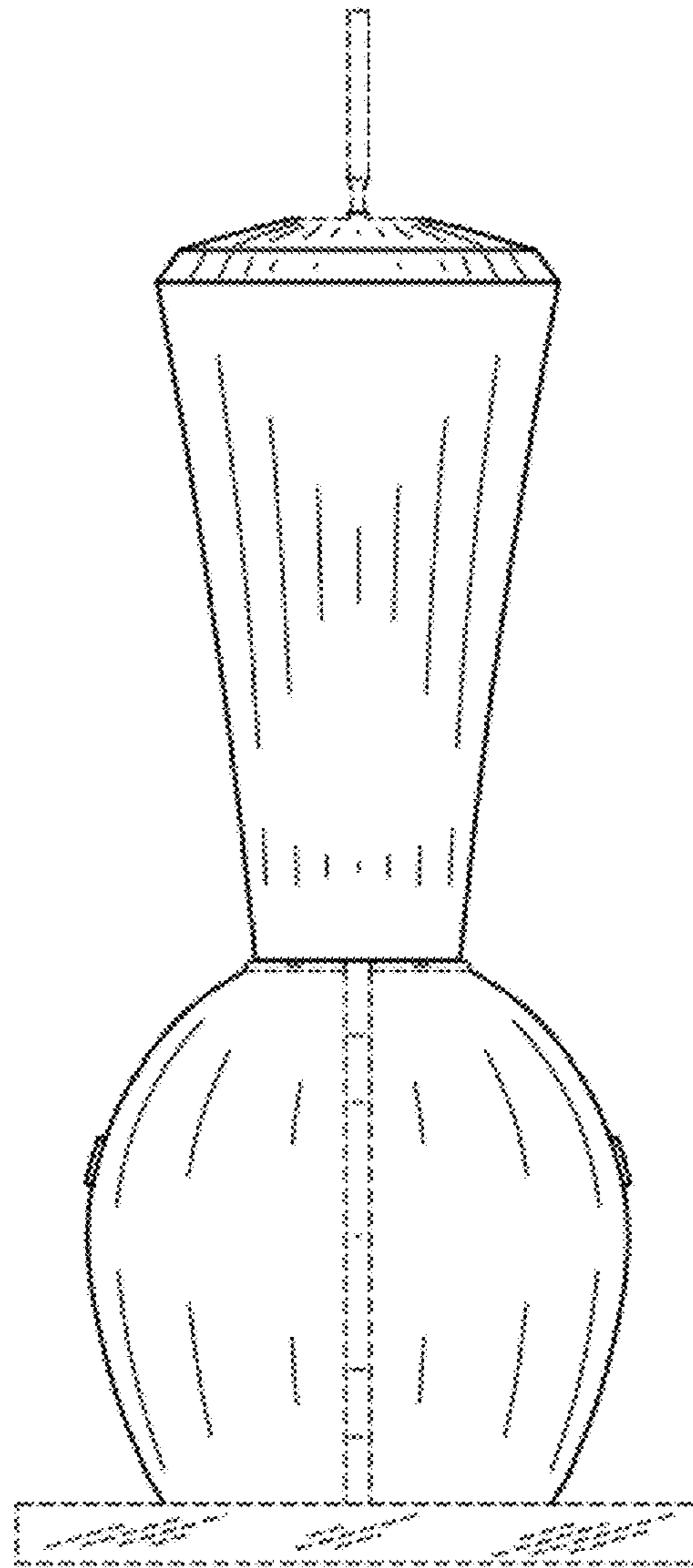


Fig. 3

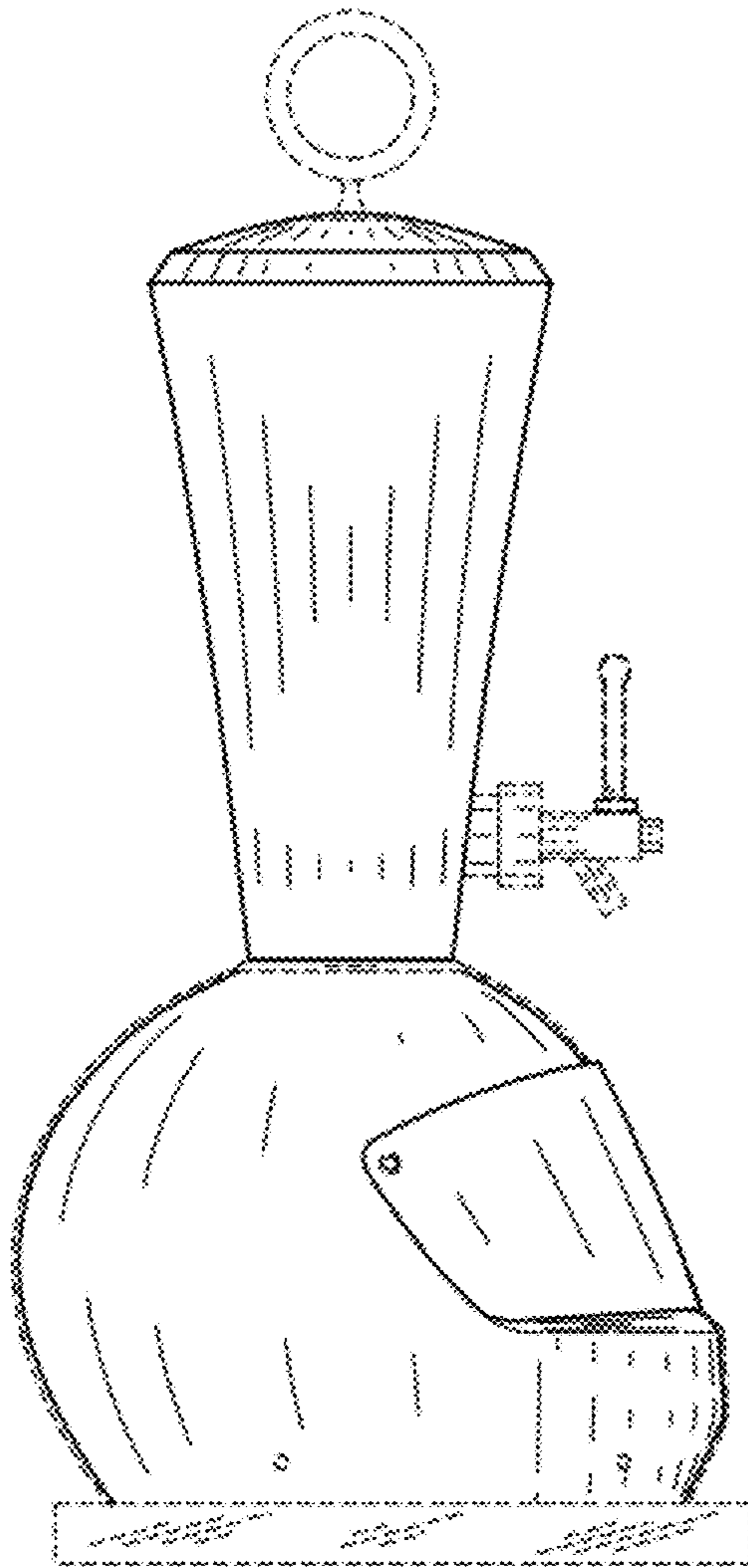


Fig. 4

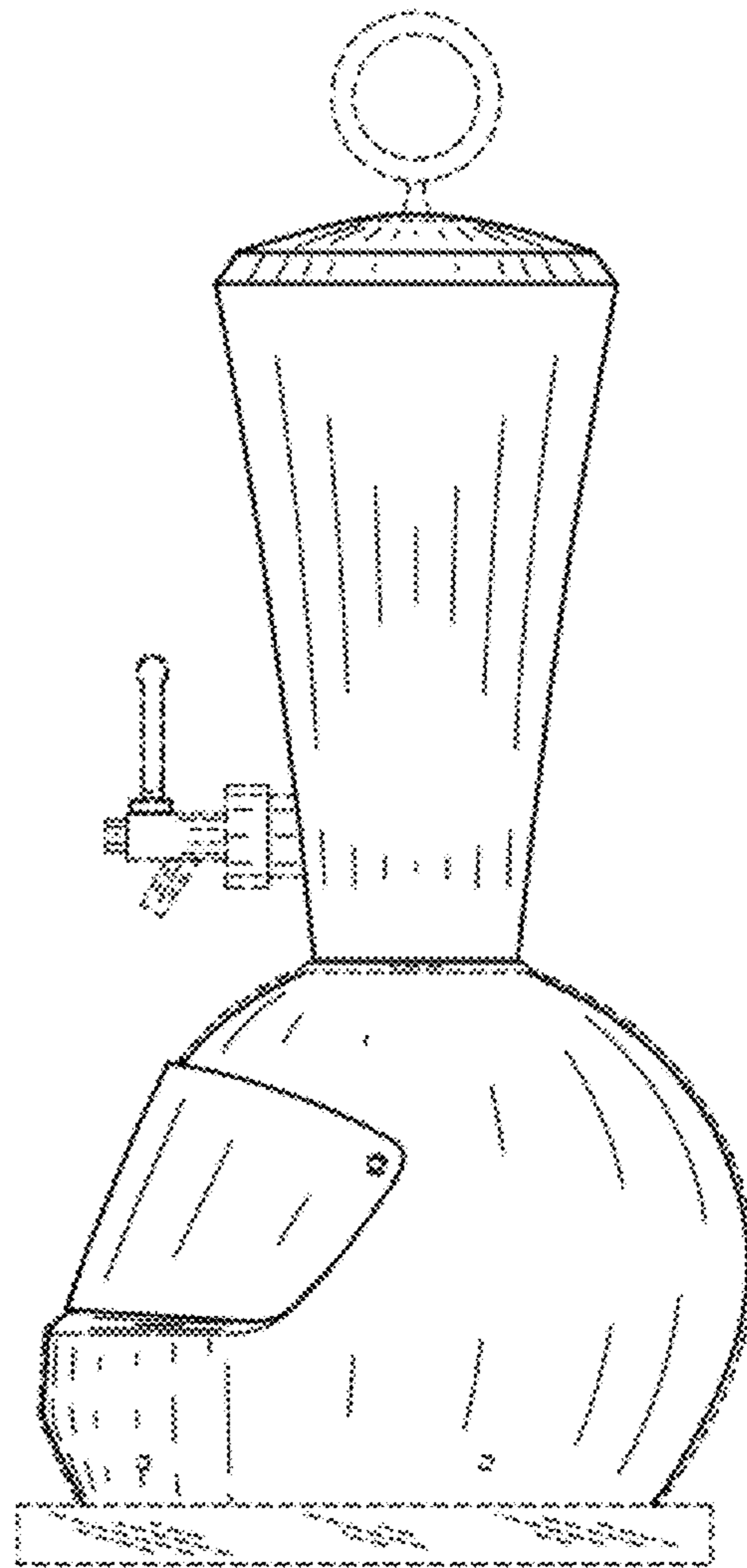


Fig. 5

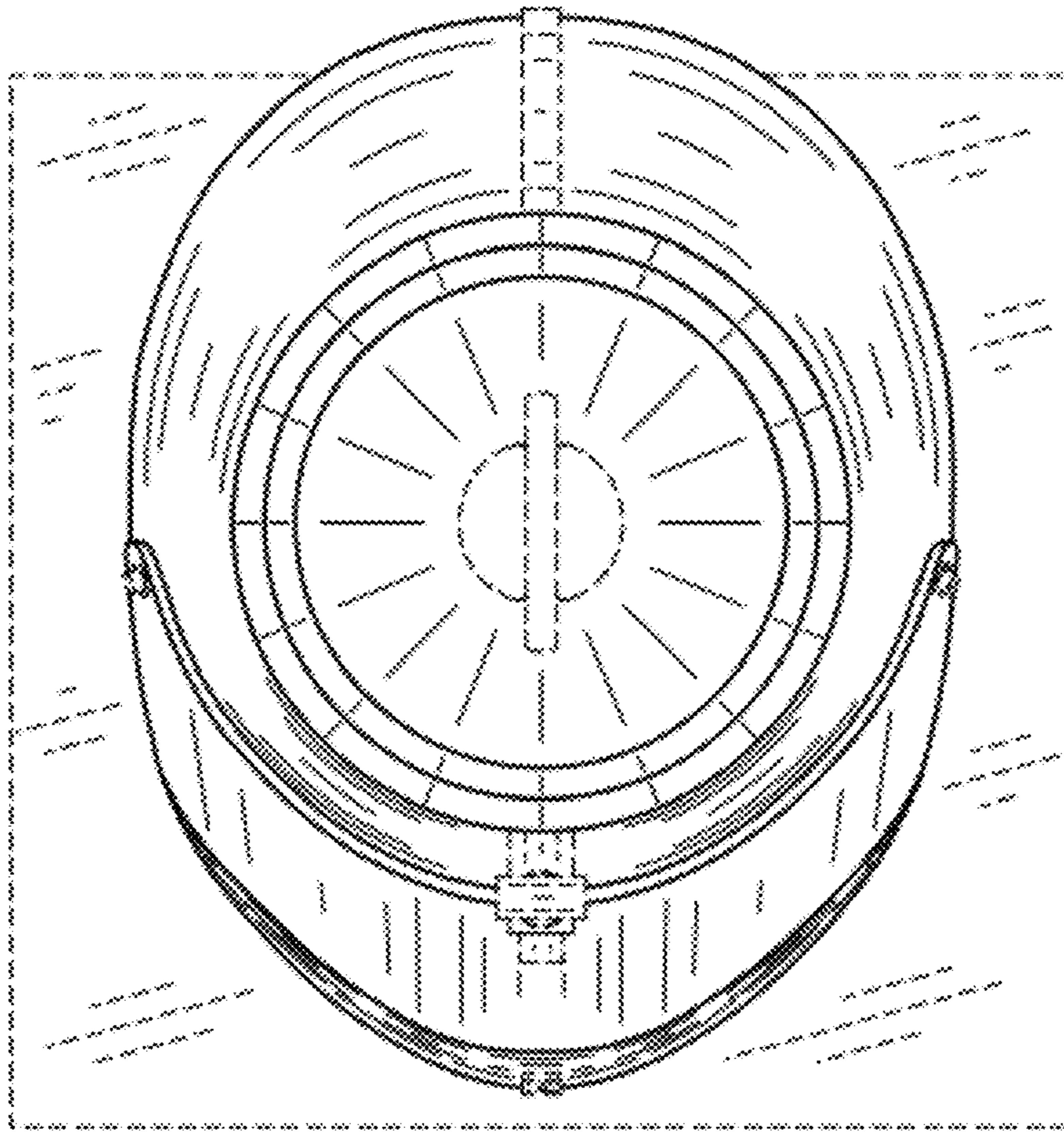


Fig. 6

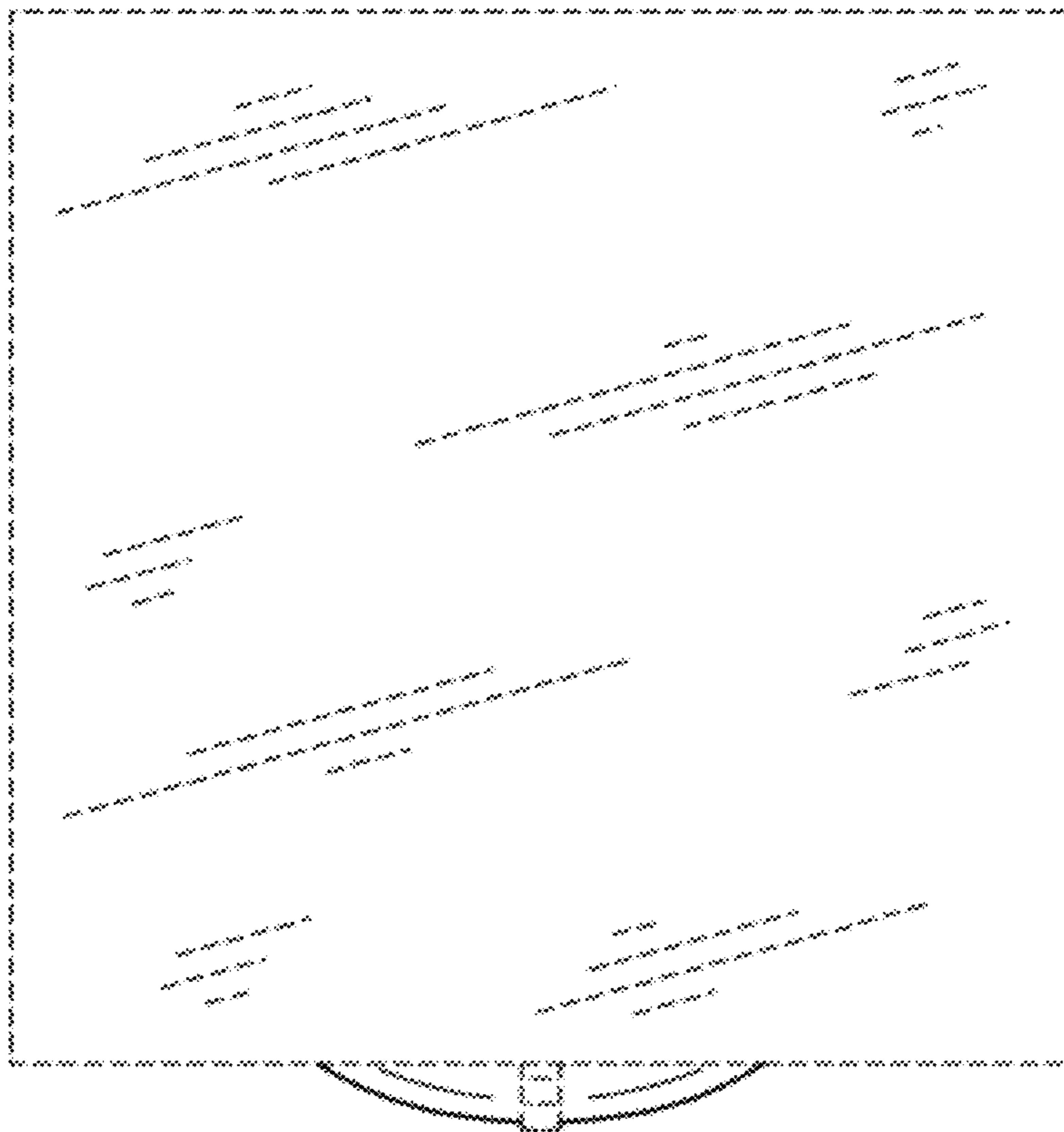


Fig. 7