



US00D667672S

(12) **United States Design Patent**
Royer et al.

(10) **Patent No.:** **US D667,672 S**

(45) **Date of Patent:** **** Sep. 25, 2012**

(54) **STRAW WITH WIDE END**

(76) Inventors: **Jennifer Royer**, Brentwood, TN (US);
Kenneth Royer, Brentwood, TN (US)

(**) Term: **14 Years**

(21) Appl. No.: **29/411,963**

(22) Filed: **Jan. 27, 2012**

(51) **LOC (9) Cl.** **07-06**

(52) **U.S. Cl.** **D7/300.2**

(58) **Field of Classification Search** D7/300.2,
D7/305, 507, 510, 511; D9/436; D24/108,
D24/110, 110.5, 112, 116; 215/229, 388,
215/389; 206/216; 239/16, 24-33; 433/91;
220/705, 706, 709, 713; 222/175; 224/148.2
See application file for complete search history.

D477,493	S	7/2003	Wang	
6,585,170	B2 *	7/2003	Katsukawa	239/33
D487,375	S *	3/2004	Bengtsson et al.	D7/300.2
D528,638	S *	9/2006	Zuk	D23/249
D528,655	S *	9/2006	Clawson	D24/110.5
D532,242	S *	11/2006	Aikens	D7/300.2
D550,496	S *	9/2007	Stribling et al.	D7/300.2
D556,902	S *	12/2007	Allen	D24/110.5
D564,278	S *	3/2008	Villalobos	D7/300.2
D567,004	S *	4/2008	Bottega	D7/300.2
D595,990	S *	7/2009	Rothberg et al.	D7/300.2
D596,440	S	7/2009	Rothberg et al.	
7,584,900	B2	9/2009	White et al.	
D618,335	S *	6/2010	Nunez	D24/108
D638,243	S	5/2011	Carlson et al.	
2008/0236574	A1	10/2008	Marx	

* cited by examiner

Primary Examiner — Cynthia M Chin

(74) *Attorney, Agent, or Firm* — Maier & Maier PLLC

(56) **References Cited**

U.S. PATENT DOCUMENTS

2,436,505	A	2/1948	Du Rall	
2,531,855	A	11/1950	Loptson	
2,599,919	A *	6/1952	Hucknall	220/710
2,837,234	A *	6/1958	Mainiere	215/388
D197,478	S	2/1964	Larson	
D256,206	S	8/1980	Richmond	
D300,660	S *	4/1989	Harada	D24/174
D301,616	S *	6/1989	Harada	D24/174
4,924,444	A	5/1990	Castellanos	
D317,543	S *	6/1991	Small	D7/300.2
D318,124	S *	7/1991	Siemsen	D24/110
5,038,476	A	8/1991	McCrea	
D323,886	S *	2/1992	Picha et al.	D24/108
5,427,316	A *	6/1995	Leone	239/33
5,601,207	A *	2/1997	Pacsonay	220/703
5,730,336	A *	3/1998	Lerner	222/490
D393,566	S	4/1998	Buehner	
6,070,767	A *	6/2000	Gardner et al.	222/175
D440,810	S *	4/2001	Olson	D7/300.2
D444,022	S *	6/2001	Katsukawa	D7/300.2
D449,883	S *	10/2001	McDonald et al.	D24/110
6,561,434	B2 *	5/2003	Kaplan	239/33

(57) **CLAIM**

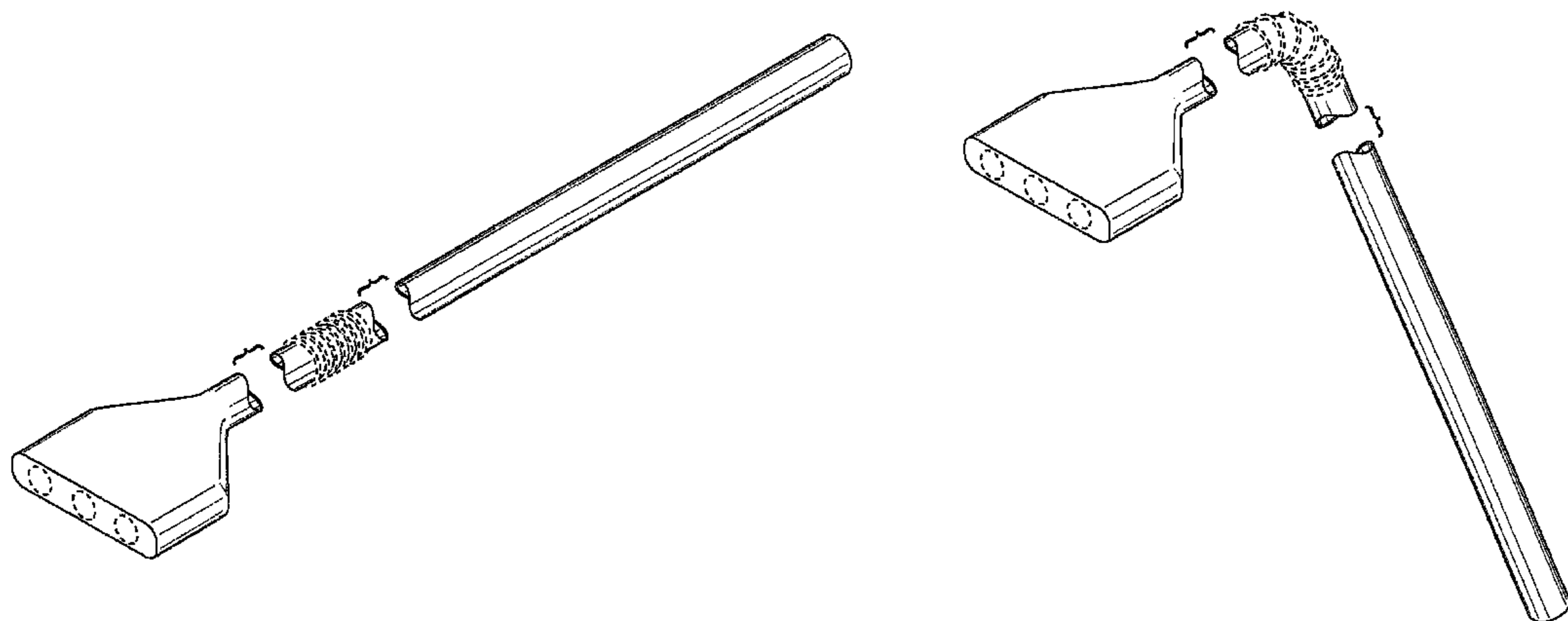
The ornamental design for a straw with wide end, as shown and described.

DESCRIPTION

FIG. 1 is a front perspective view of a straw with wide end showing my our new design;
FIG. 2 is a front perspective thereof in a bent configuration;
FIG. 3 is a front view thereof, the rear view being a mirror image of the front view;
FIG. 4 is a right side view thereof, the left side view being a mirror image of the right side view;
FIG. 5 is a top view thereof; and,
FIG. 6 is a bottom view thereof.

The broken line showing of portions of the straw with wide end forms no part of the claimed design.
Portions of the claimed design are shown separated and bound by a bracket to indicate that no particular length is being claimed.

1 Claim, 2 Drawing Sheets



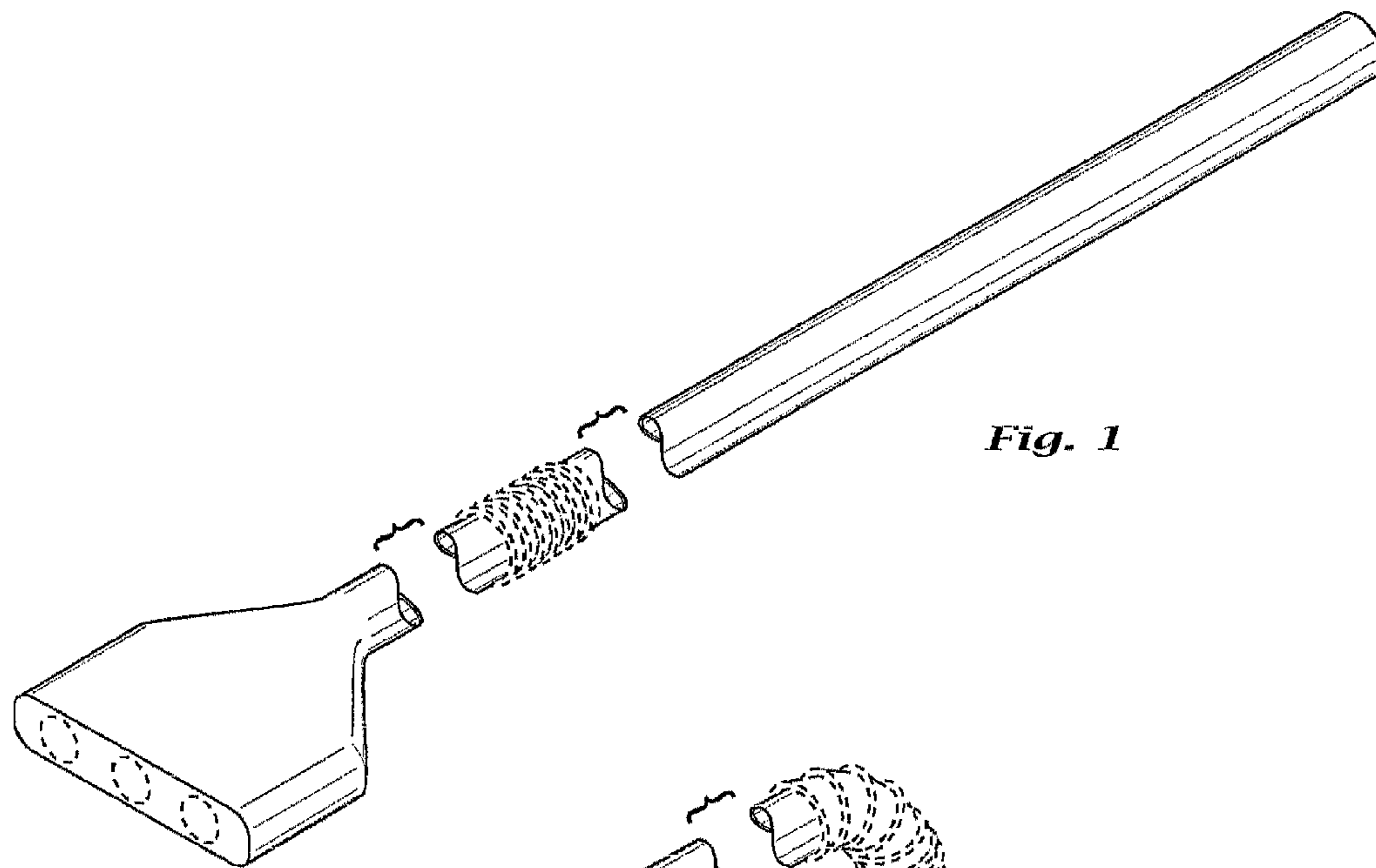


Fig. 1

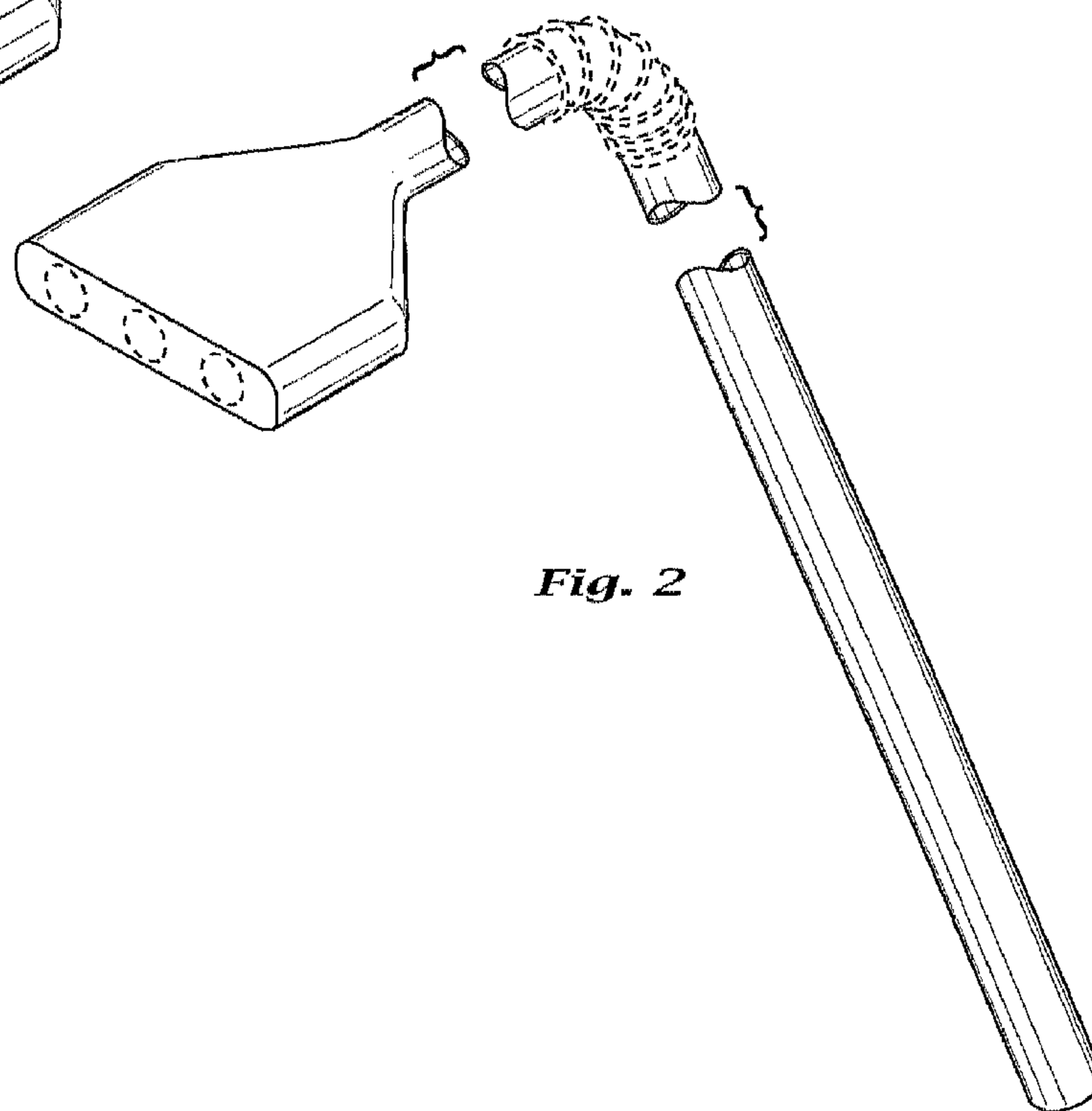


Fig. 2

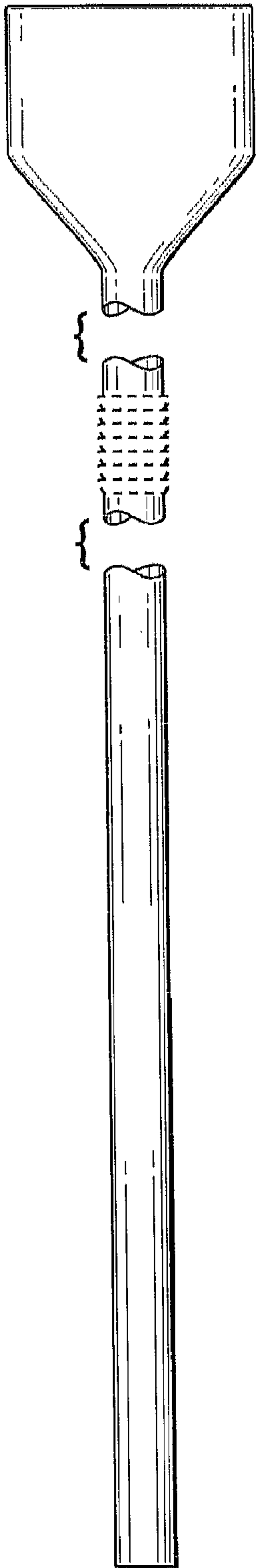


Fig. 3



Fig. 4

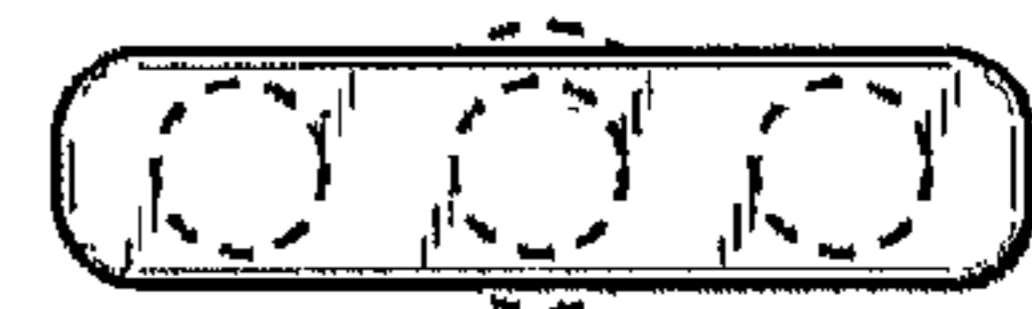


Fig. 5



Fig. 6