

US00D667659S

(12) **United States Design Patent**
Winter et al.

(10) **Patent No.:** **US D667,659 S**

(45) **Date of Patent:** **** Sep. 25, 2012**

- (54) **TABLE TOP SURFACE AND EDGE**
- (75) Inventors: **David C. Winter**, Layton, UT (US);
Wendell Peery, Kaysville, UT (US);
Mitch Johnson, South Weber, UT (US)
- (73) Assignee: **Lifetime Products, Inc.**, Clearfield, UT (US)
- (**) Term: **14 Years**
- (21) Appl. No.: **29/417,529**
- (22) Filed: **Apr. 4, 2012**

7,096,799	B2	8/2006	Strong et al.
7,171,910	B2	2/2007	Neunzert et al.
7,178,471	B2	2/2007	Strong et al.
7,299,754	B2	11/2007	Stanford et al.
7,475,644	B2	1/2009	Strong et al.
7,634,970	B2	12/2009	Strong et al.
7,707,947	B2	5/2010	Winter et al.
D640,487	S	6/2011	Bennett
8,033,228	B2	10/2011	Haney et al.
8,042,475	B2	10/2011	Larcom et al.
D658,912	S	5/2012	Winter et al.
D659,450	S	5/2012	Winter et al.
2012/0024203	A1*	2/2012	Winter et al. 108/132

Related U.S. Application Data

- (60) Division of application No. 29/403,327, filed on Oct. 4, 2011, now Pat. No. Des. 658,912, which is a continuation of application No. 29/390,471, filed on Apr. 25, 2011, now Pat. No. Des. 659,450.
 - (51) **LOC (9) Cl.** **06-06**
 - (52) **U.S. Cl.** **D6/511**
 - (58) **Field of Classification Search** D6/480-489,
D6/495-499, 429, 511; 108/150, 153.1,
108/156, 157.1, 161, 115, 124, 125, 129,
108/132
- See application file for complete search history.

References Cited

U.S. PATENT DOCUMENTS

D345,480	S	3/1994	Sandegren
D414,626	S	10/1999	Collins et al.
6,112,674	A	9/2000	Stanford
D468,135	S	1/2003	Ashby et al.
D487,205	S	3/2004	Mower et al.
D489,557	S	5/2004	Strong et al.
D499,283	S	12/2004	Winter et al.
7,069,865	B2	7/2006	Strong et al.

OTHER PUBLICATIONS

U.S. Appl. No. 12/110,163, filed Apr. 25, 2008, VanNimwegen et al.

(Continued)

Primary Examiner — Janice Seeger

(74) *Attorney, Agent, or Firm* — Maschoff Gilmore & Israelsen

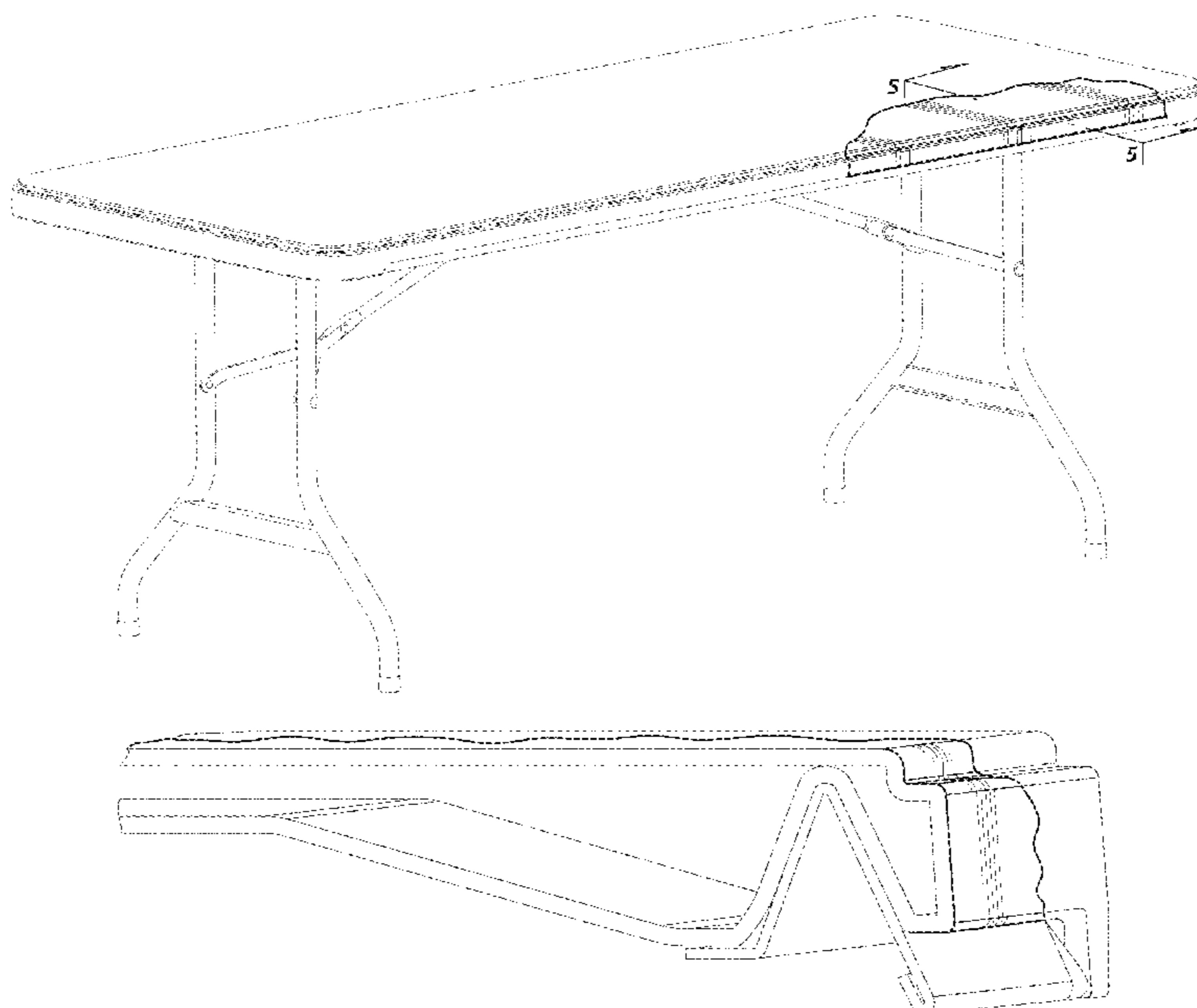
(57) **CLAIM**

The ornamental design for a table top surface and edge, as shown and described.

DESCRIPTION

FIG. 1 is an upper perspective view of an exemplary table top surface and edge;
 FIG. 2 is a top view of the table top surface and edge;
 FIG. 3 is a front view of the table top surface and edge;
 FIG. 4 is a lower perspective view of the table top surface and edge; and,
 FIG. 5 is a cross section side view of the table top surface and edge.
 The broken lines shown in the figures are for illustrative purposes only and form no part of the claimed design.

1 Claim, 4 Drawing Sheets



US D667,659 S

Page 2

OTHER PUBLICATIONS

U.S. Appl. No. 29/390,471, filed Apr. 25, 2011, Winter et al.
U.S. Appl. No. 29/391,721, filed May 12, 2011, Bennett.
U.S. Appl. No. 29/403,327, filed Oct. 4, 2011, Winter et al.

U.S. Appl. No. 13/270,141, filed Oct. 10, 2011, Haney et al.

U.S. Appl. No. 29/411,483, filed Jan. 20, 2012, Winter et al.

* cited by examiner

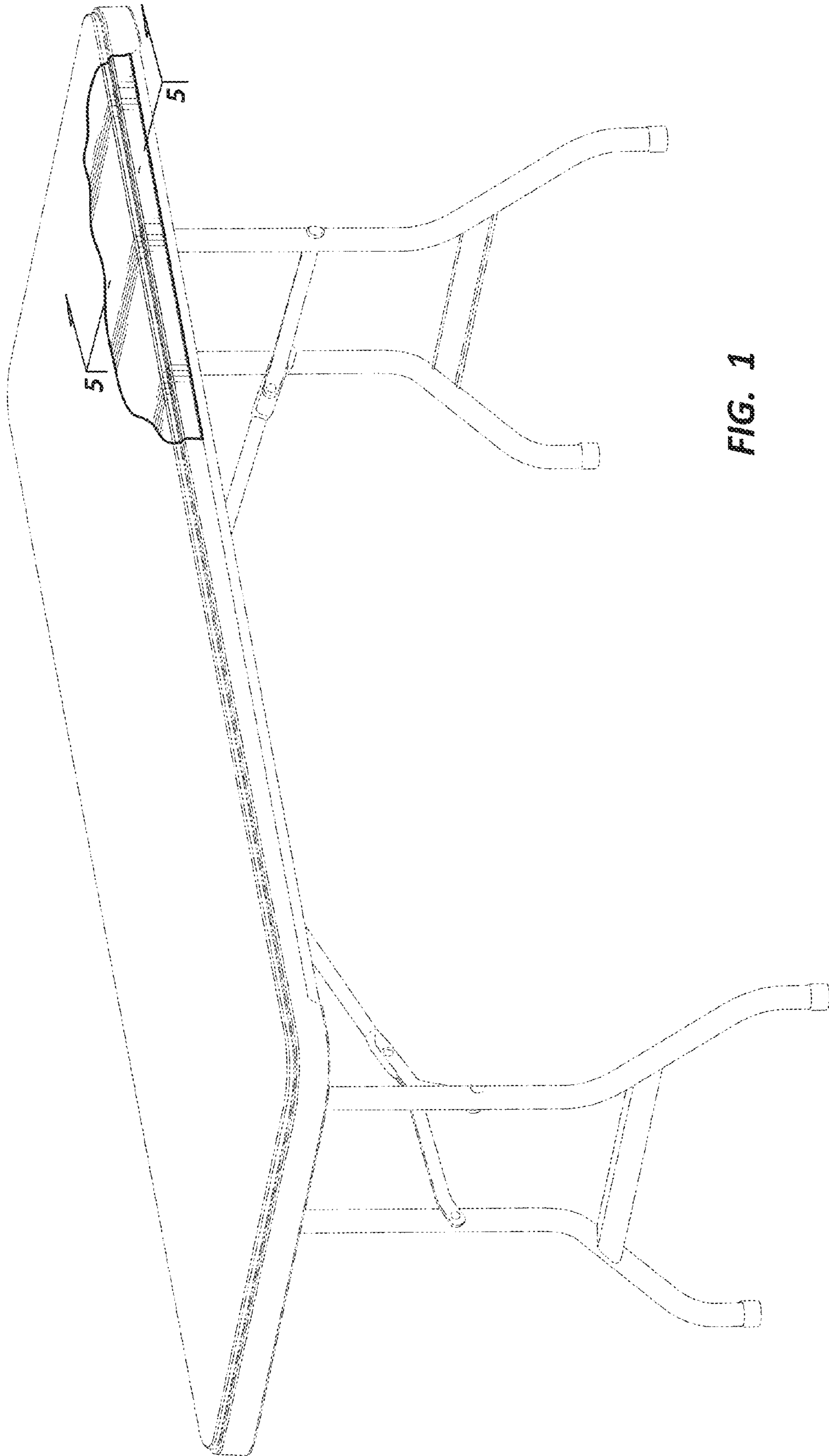


FIG. 1

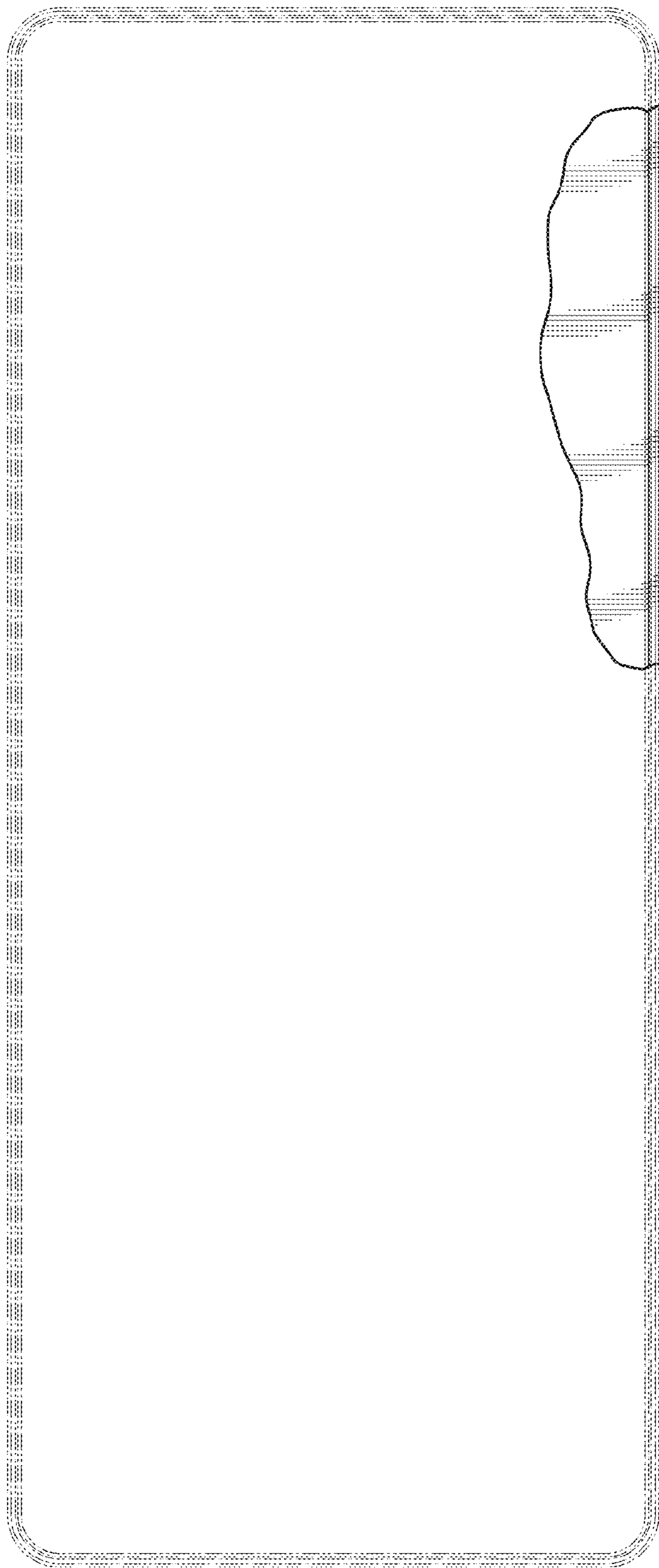


FIG. 2

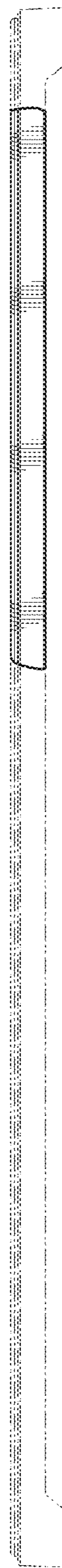


FIG. 3

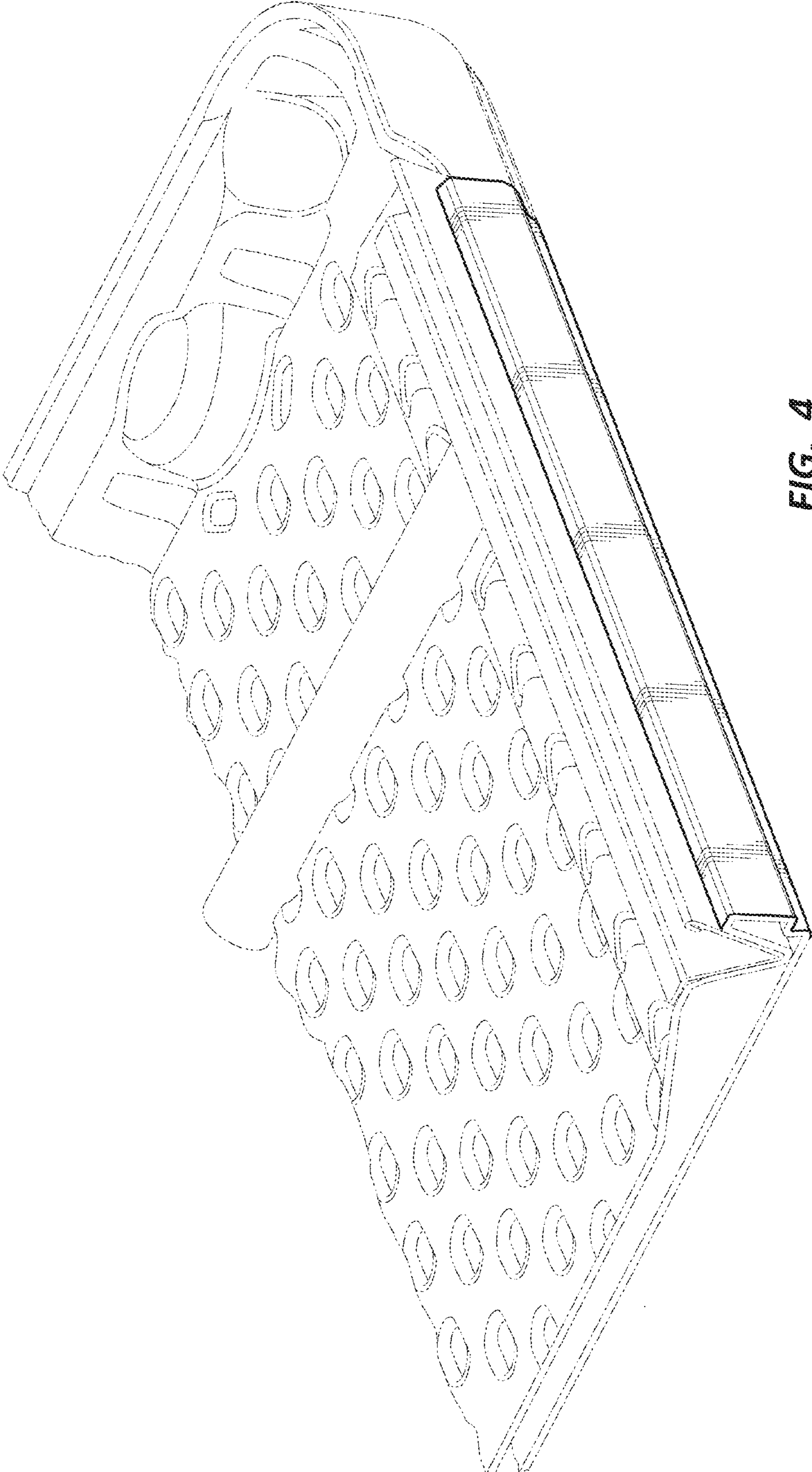


FIG. 4

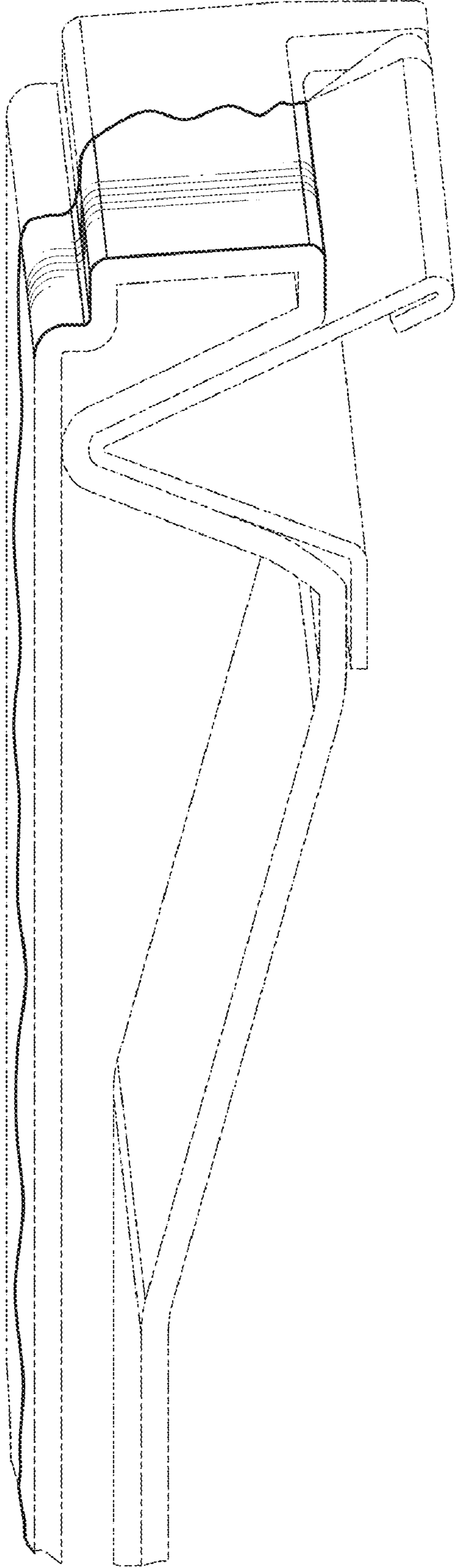


FIG. 5