

US00D667658S

(12) **United States Design Patent**
Maroney et al.

(10) **Patent No.:** **US D667,658 S**

(45) **Date of Patent:** **** Sep. 25, 2012**

(54) **CABINET DRAWER**

(75) Inventors: **Ralf Maroney**, Stuart, FL (US); **Louis N. Tashash**, Killingworth, CT (US)

(73) Assignee: **Plug-In Storage Systems, Inc.**, West Haven, CT (US)

(**) Term: **14 Years**

(21) Appl. No.: **29/390,369**

(22) Filed: **Apr. 23, 2011**

(51) **LOC (9) Cl.** **06-06**

(52) **U.S. Cl.** **D6/510**

(58) **Field of Classification Search** D6/432,

D6/436, 441, 444, 445, 446, 447, 448, 509,

D6/510; 312/108, 204, 249.1, 257.1, 330.1,

312/334.7, 334.33, 348.4; D3/297, 298

See application file for complete search history.

(56) **References Cited**

U.S. PATENT DOCUMENTS

4,108,519 A * 8/1978 Chervenak 312/348.4

D255,632 S * 7/1980 Litchfield et al. D6/510

D258,709 S * 3/1981 Litchfield et al. D6/510

D258,857 S * 4/1981 Bukaitz D6/510

D278,664 S * 5/1985 Ferdinand et al. D6/510

4,732,430 A * 3/1988 Byrns 312/330.1

D477,479 S * 7/2003 Henderson et al. D6/510

D513,141 S * 12/2005 Mehmen et al. D6/510

7,048,347 B1 * 5/2006 Liu 312/333

D523,667 S * 6/2006 Bisson D6/510

7,722,139 B1 * 5/2010 Chen et al. 312/334.7

7,812,561 B2 * 10/2010 Hagen et al. 312/330.1

* cited by examiner

Primary Examiner — Mimosa De

(74) *Attorney, Agent, or Firm* — Raymond A. Nuzzo

(57) **CLAIM**

The ornamental design for a cabinet drawer, as shown and described.

DESCRIPTION

FIG. 1 is a perspective, front view of our new design of a cabinet drawer;

FIG. 2 is a perspective, rear view thereof;

FIG. 3 is a front view thereof;

FIG. 4 is a rear view thereof;

FIG. 5 is a left side view thereof;

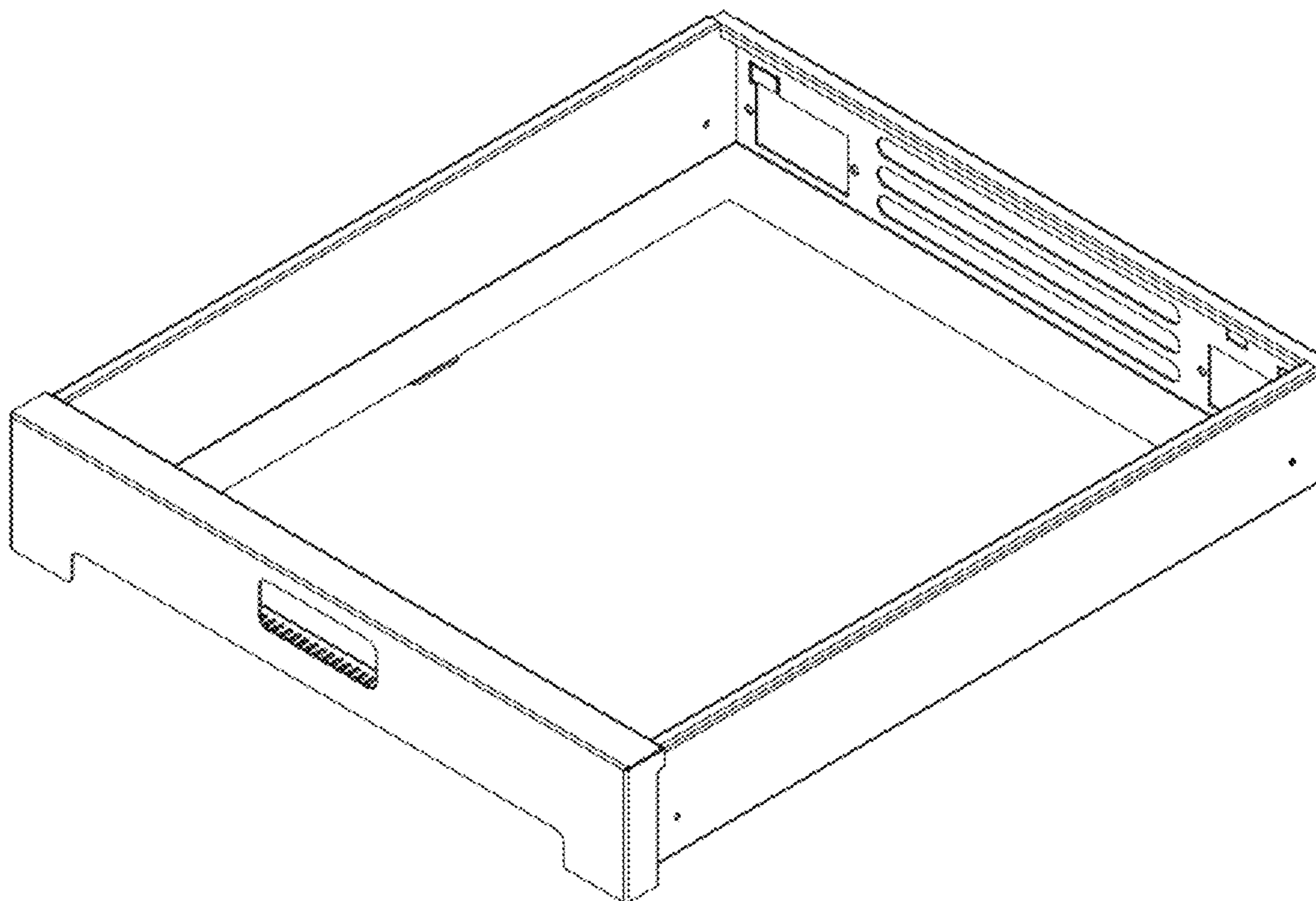
FIG. 6 is a right side view thereof;

FIG. 7 is a top view thereof;

FIG. 8 is a bottom view thereof; and,

FIG. 9 is a cross-sectional view thereof, taken along line 9-9 of FIG. 2.

1 Claim, 9 Drawing Sheets



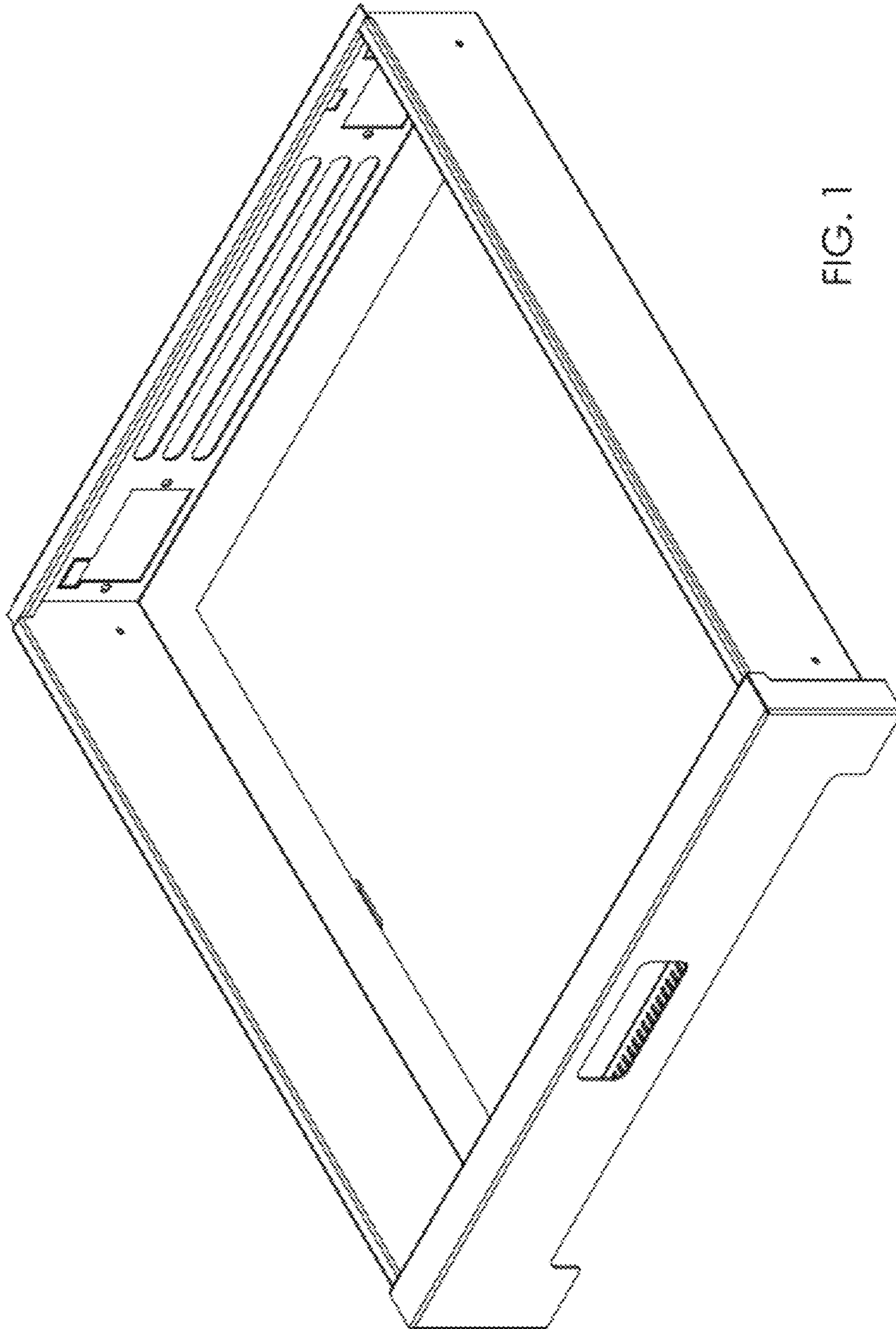


FIG. 1

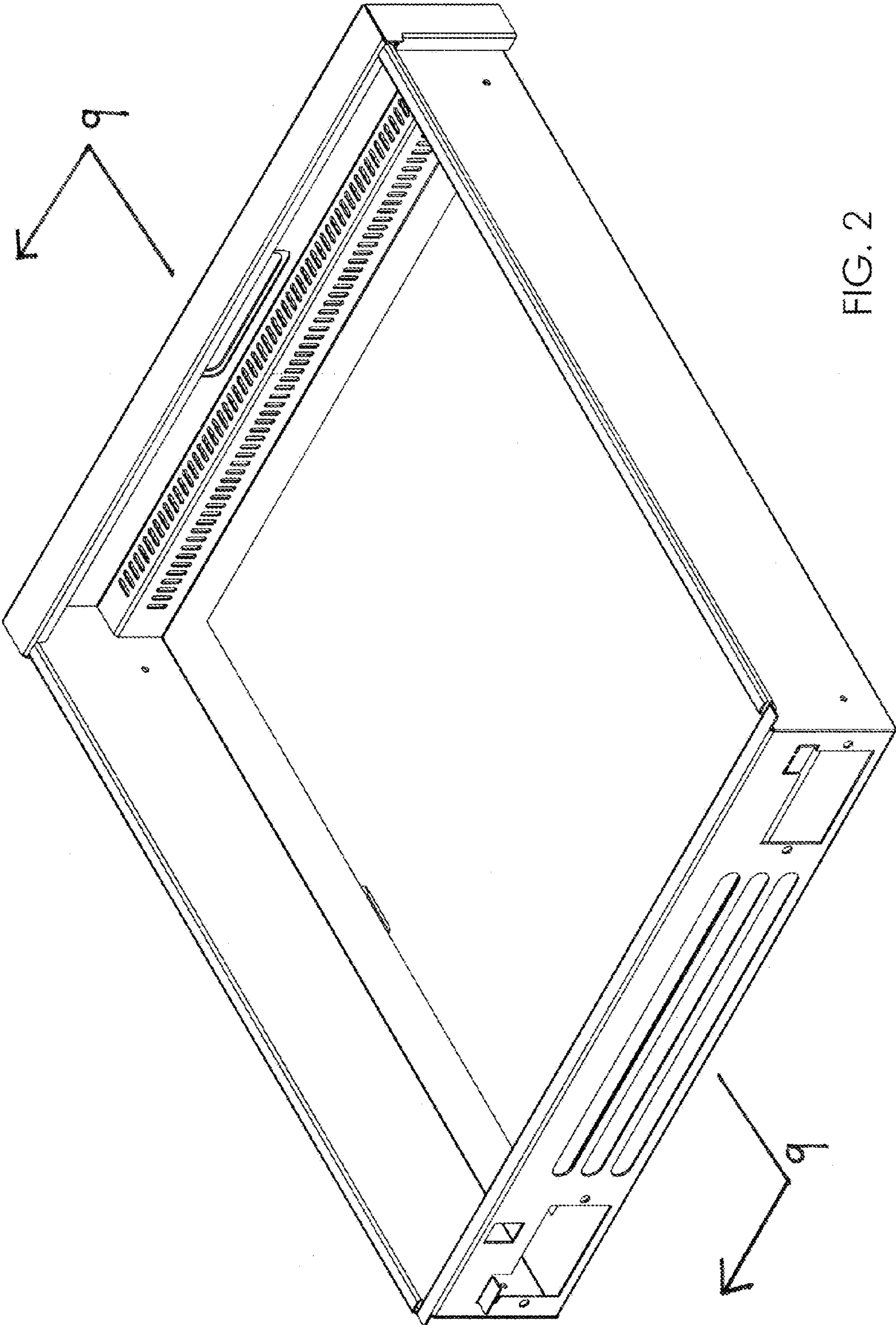


FIG. 2

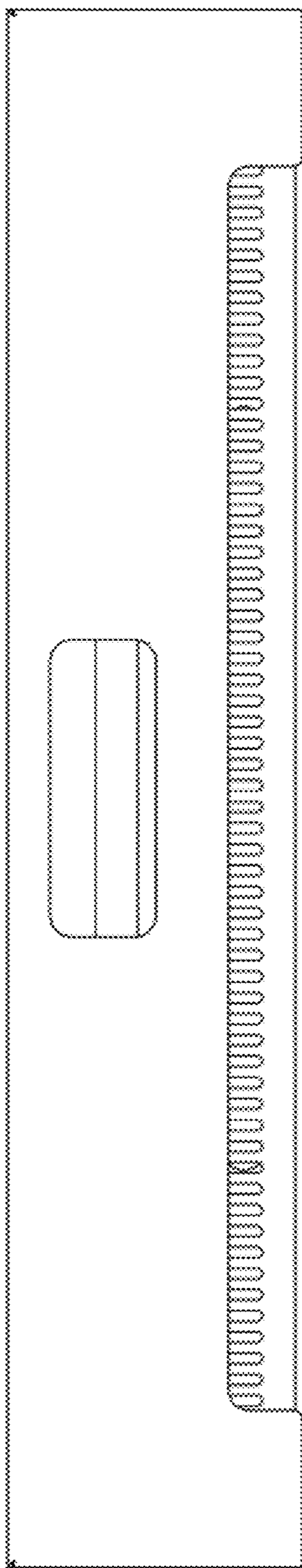


Fig. 3

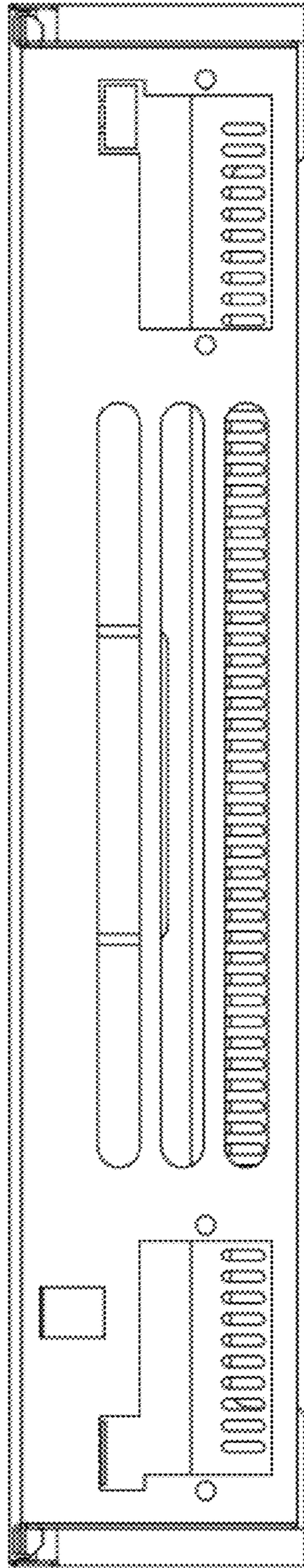


Fig.4

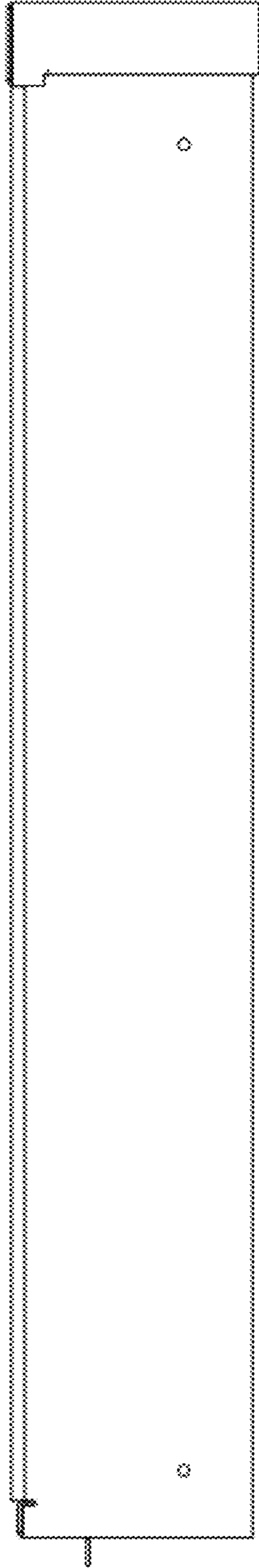


Fig. 5

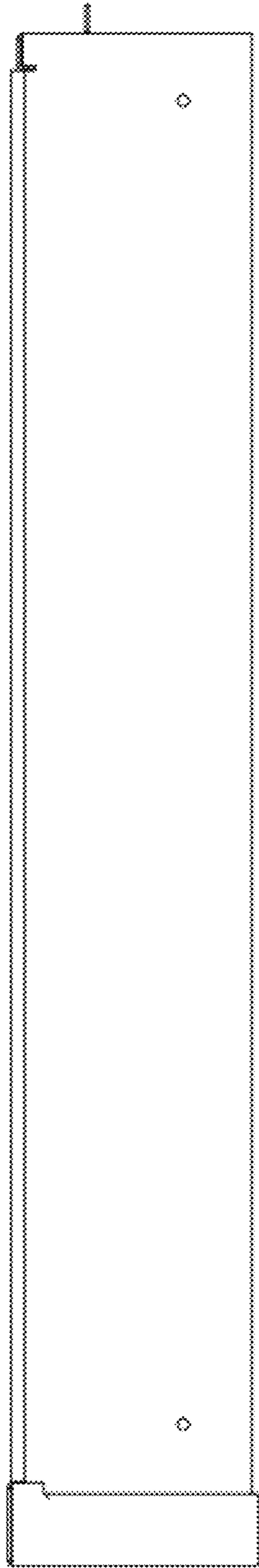


Fig.6

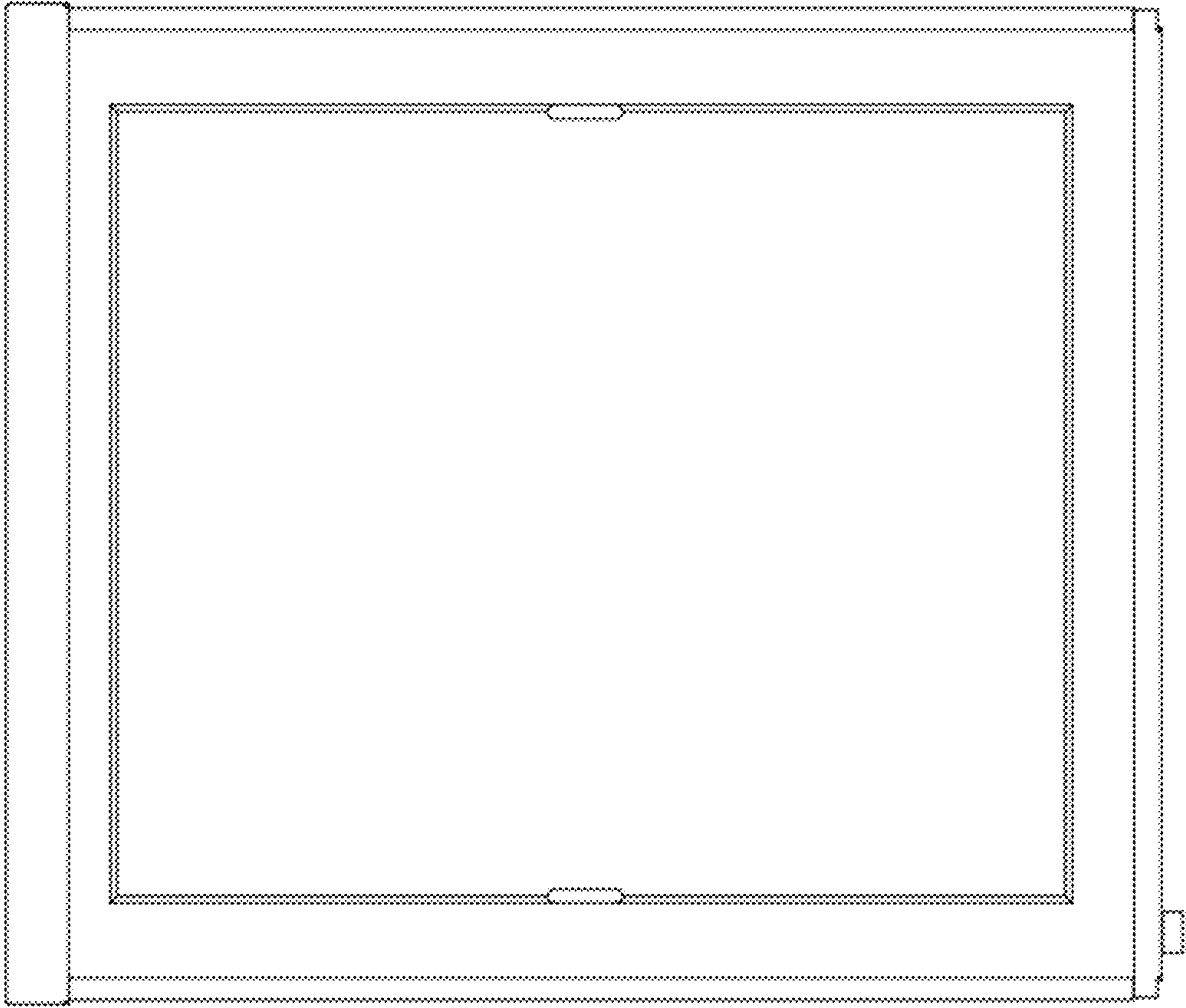


Fig.7

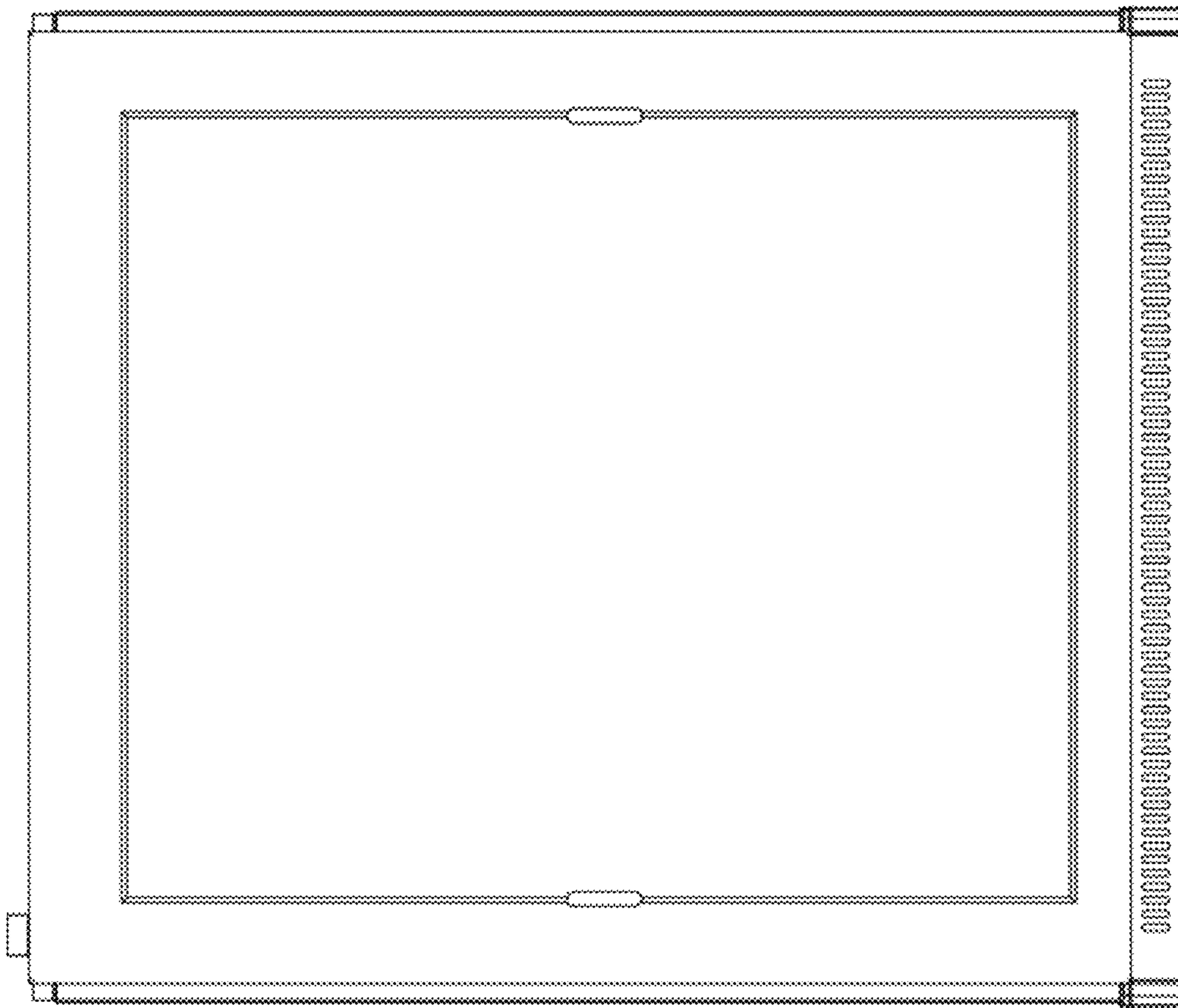


Fig. 8

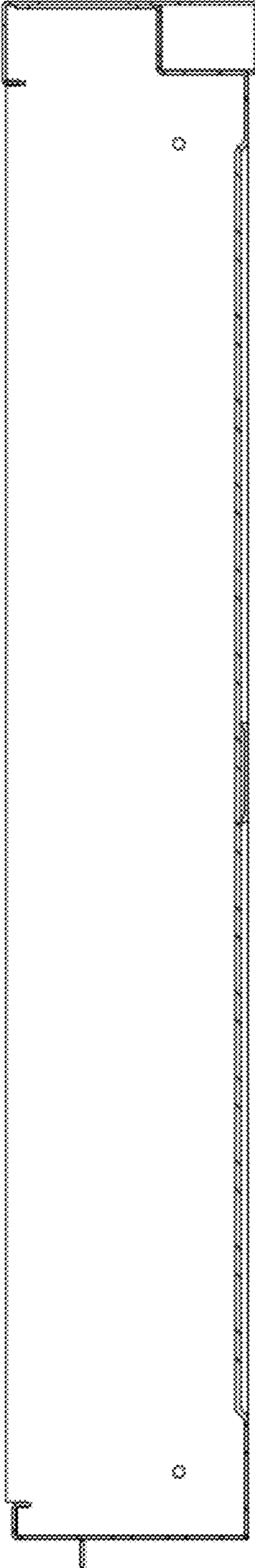


FIG. 9