

US00D667657S

(12) **United States Design Patent**
Murdock

(10) **Patent No.:** **US D667,657 S**

(45) **Date of Patent:** **** Sep. 25, 2012**

(54) **FURNITURE BASE**

(76) **Inventor:** **Sheldon Brent Murdock**, Statesville,
NC (US)

(**) **Term:** **14 Years**

(21) **Appl. No.:** **29/373,648**

(22) **Filed:** **May 5, 2011**

(51) **LOC (9) Cl.** **06-06**

(52) **U.S. Cl.** **D6/499**

(58) **Field of Classification Search** D6/334-336,
D6/371-373, 374, 375, 376, 379, 380, 499,
D6/500-502; 297/239, 445.1, 446.1, 448.1,
297/448.2, 452.12, 452.18, 452.19, 452.2

See application file for complete search history.

D547,979 S 8/2007 Glass et al.
D566,979 S 4/2008 Cox et al.
D571,129 S * 6/2008 Sottsass D6/500
D572,928 S 7/2008 Rittfeldt et al.
D582,692 S 12/2008 Kerr
2002/0047298 A1 4/2002 Brauning

* cited by examiner

Primary Examiner — Mimosa De

(74) *Attorney, Agent, or Firm* — Schwartz Law Firm, P.C.

(57) **CLAIM**

I claim the ornamental design for a furniture base, as shown and described.

DESCRIPTION

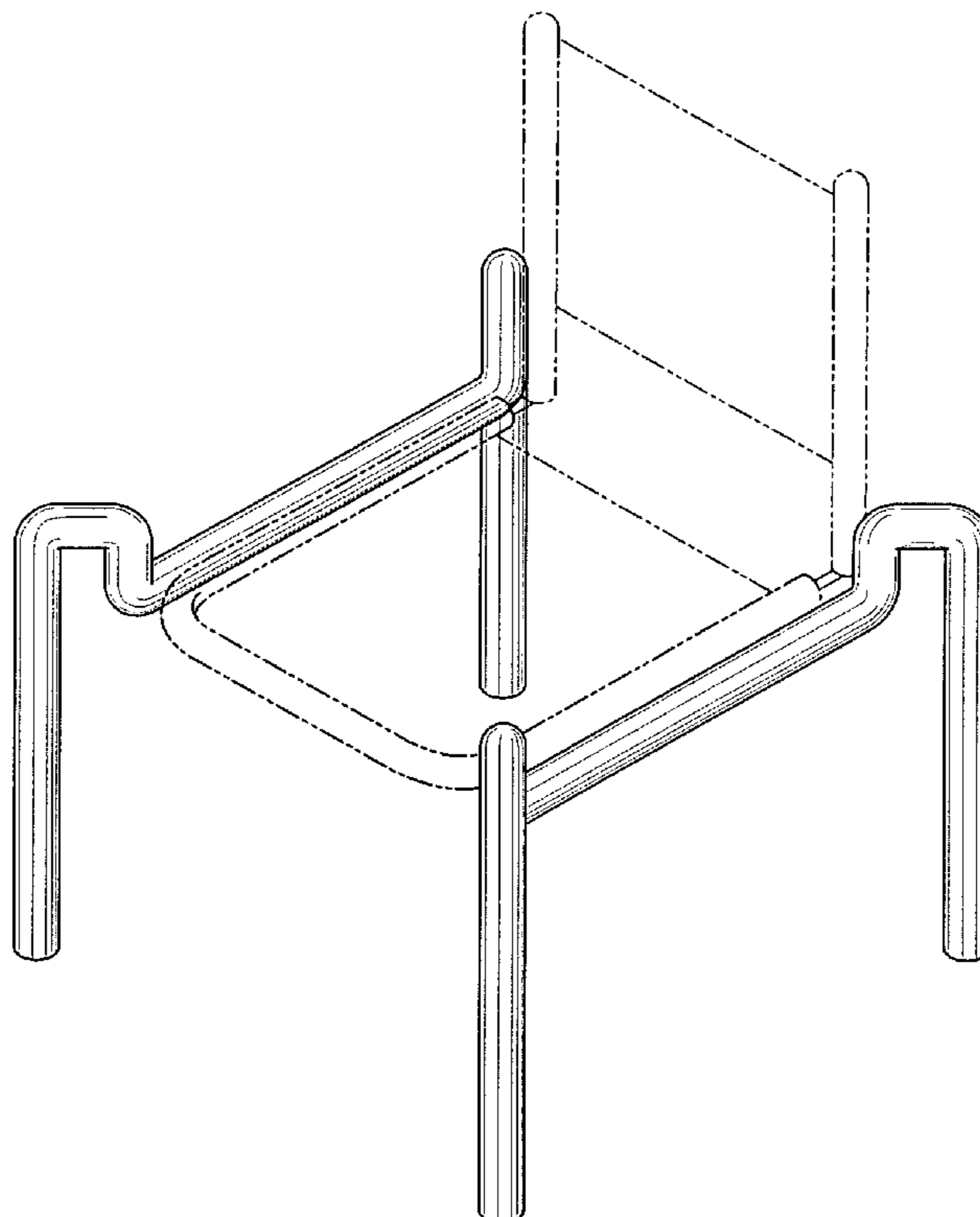
FIG. 1 is a perspective view of the furniture base; the structure shown in phantom forming no part of the claimed design; FIG. 2 is a top view of the furniture base; the structure shown in phantom forming no part of the claimed design; FIG. 3 is a bottom view of the furniture base; the structure shown in phantom forming no part of the claimed design; FIG. 4 is a left side view of the furniture base, the right side view being a mirror image thereof; and the structure shown in phantom forming no part of the claimed design; FIG. 5 is a front view of the furniture base; the structure shown in phantom forming no part of the claimed design; and, FIG. 6 is a back view of the furniture base; the structure shown in phantom forming no part of the claimed design.

1 Claim, 6 Drawing Sheets

(56) **References Cited**

U.S. PATENT DOCUMENTS

D180,203 S	4/1957	Shone	
D181,241 S *	10/1957	Swanson	D6/374
3,276,818 A *	10/1966	Durfee et al.	297/448.1
D308,604 S *	6/1990	Verkerke	D6/334
D323,943 S *	2/1992	Piretti	D6/380
5,154,474 A *	10/1992	Desanta	297/239
D336,795 S *	6/1993	Rowe et al.	D6/380
D417,795 S	12/1999	Rashid	
D442,399 S *	5/2001	Markus	D6/500
D447,643 S *	9/2001	Zemp	D6/374
D463,149 S	9/2002	Levy	
D469,970 S *	2/2003	Molteni	D6/374
D471,729 S	3/2003	Glass et al.	
D502,030 S *	2/2005	Barile, Sr.	D6/500
D524,082 S *	7/2006	Dettmann et al.	D6/500



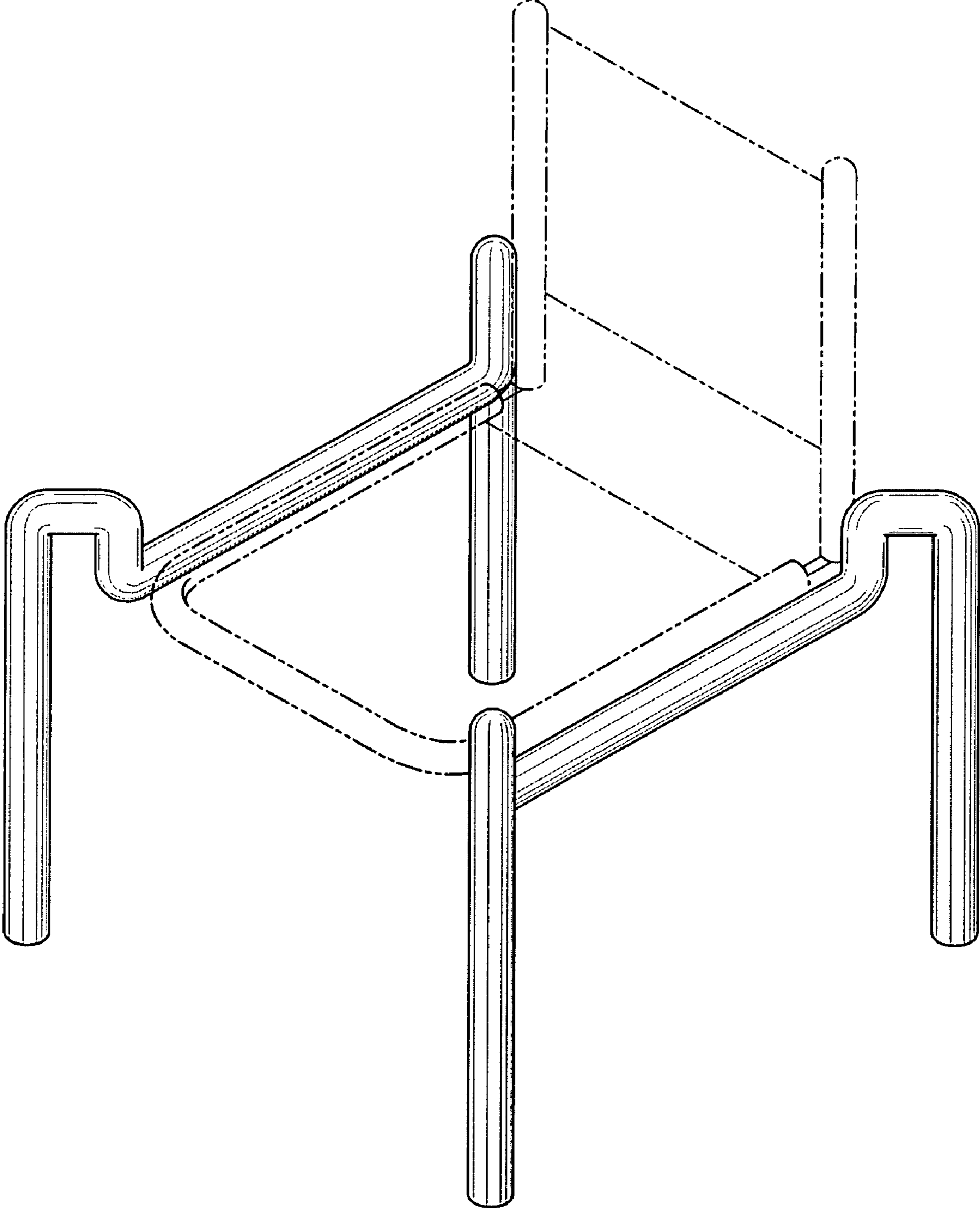


Fig. 1

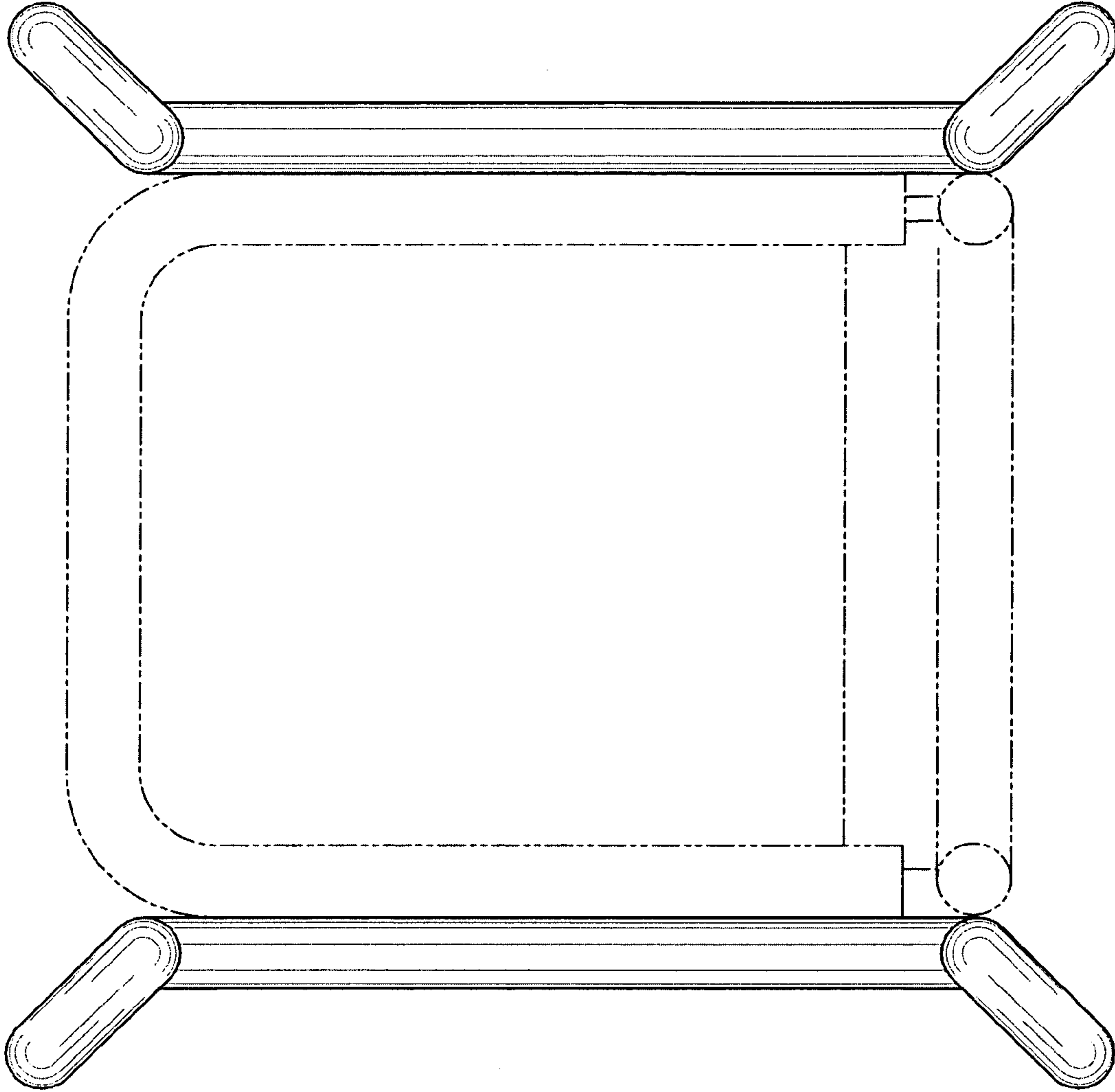


Fig. 2

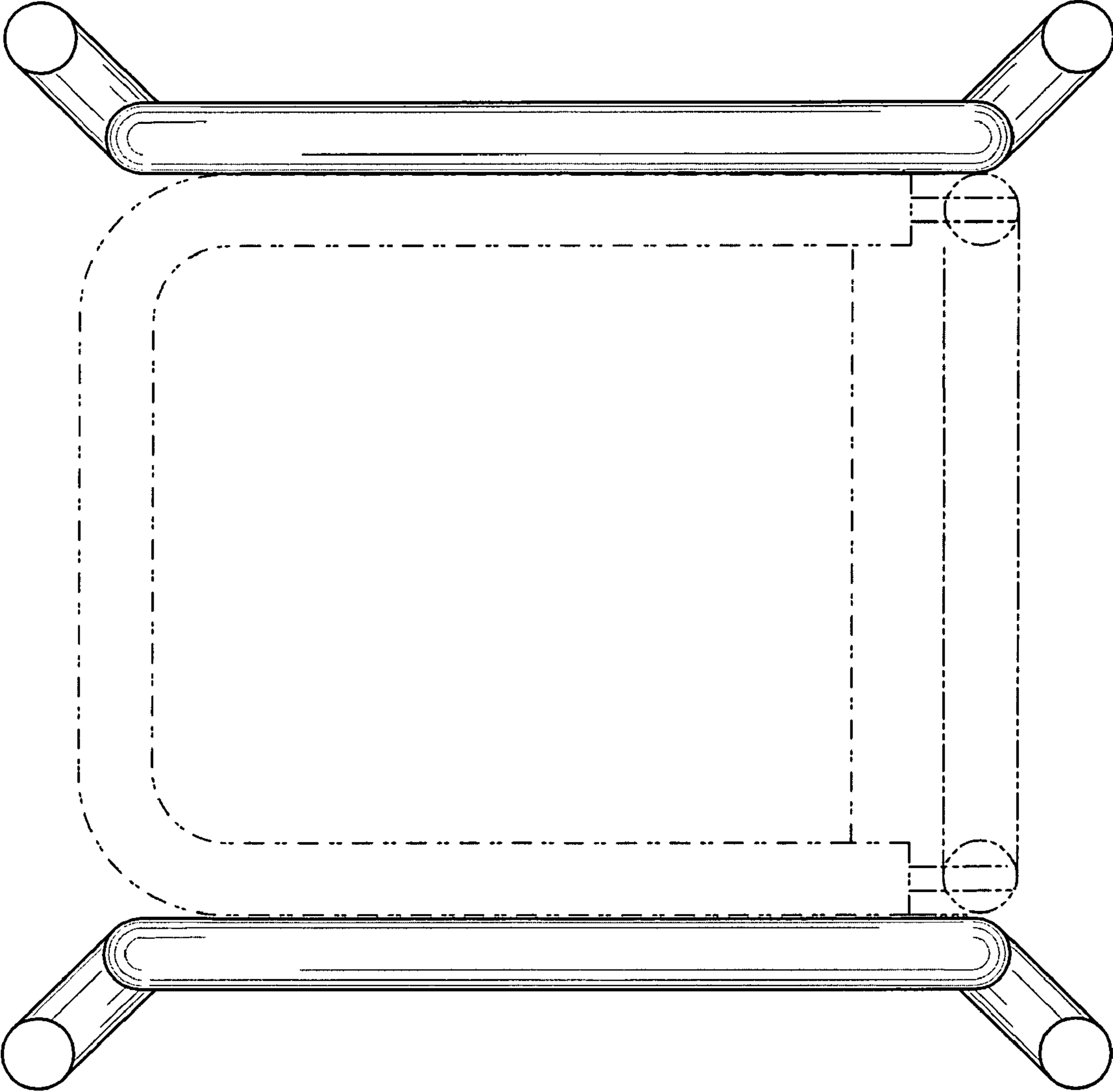


Fig. 3

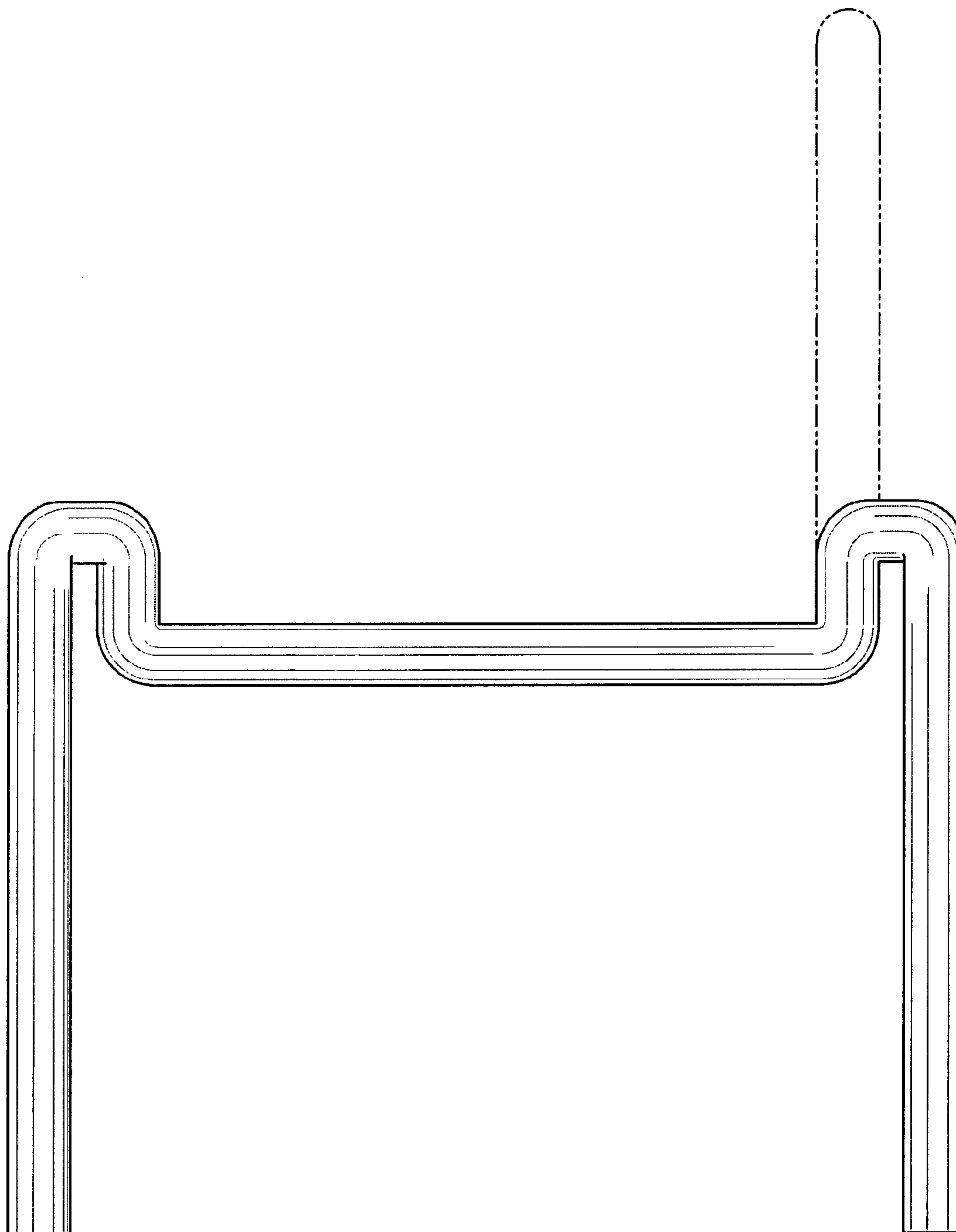


Fig. 4

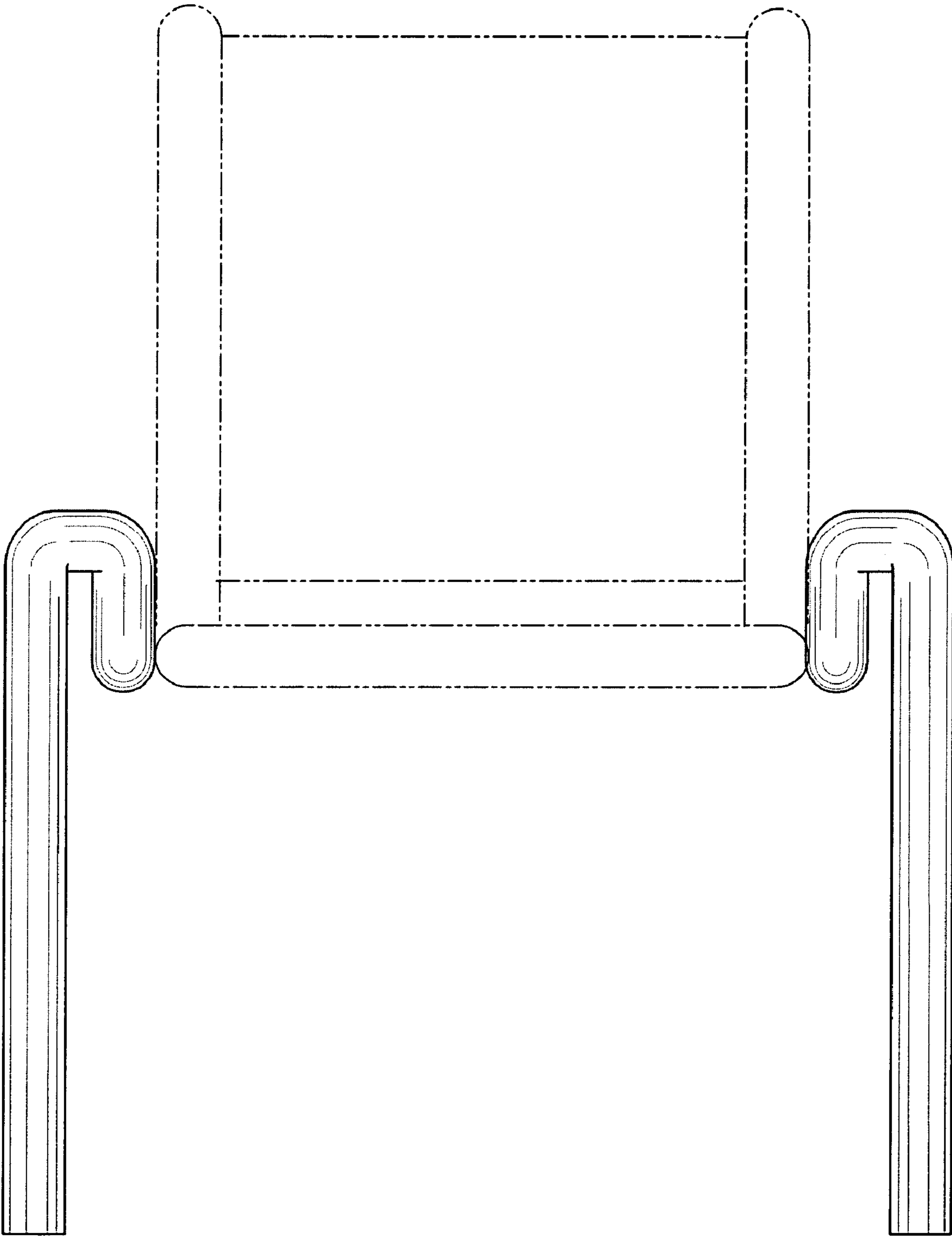


Fig. 5

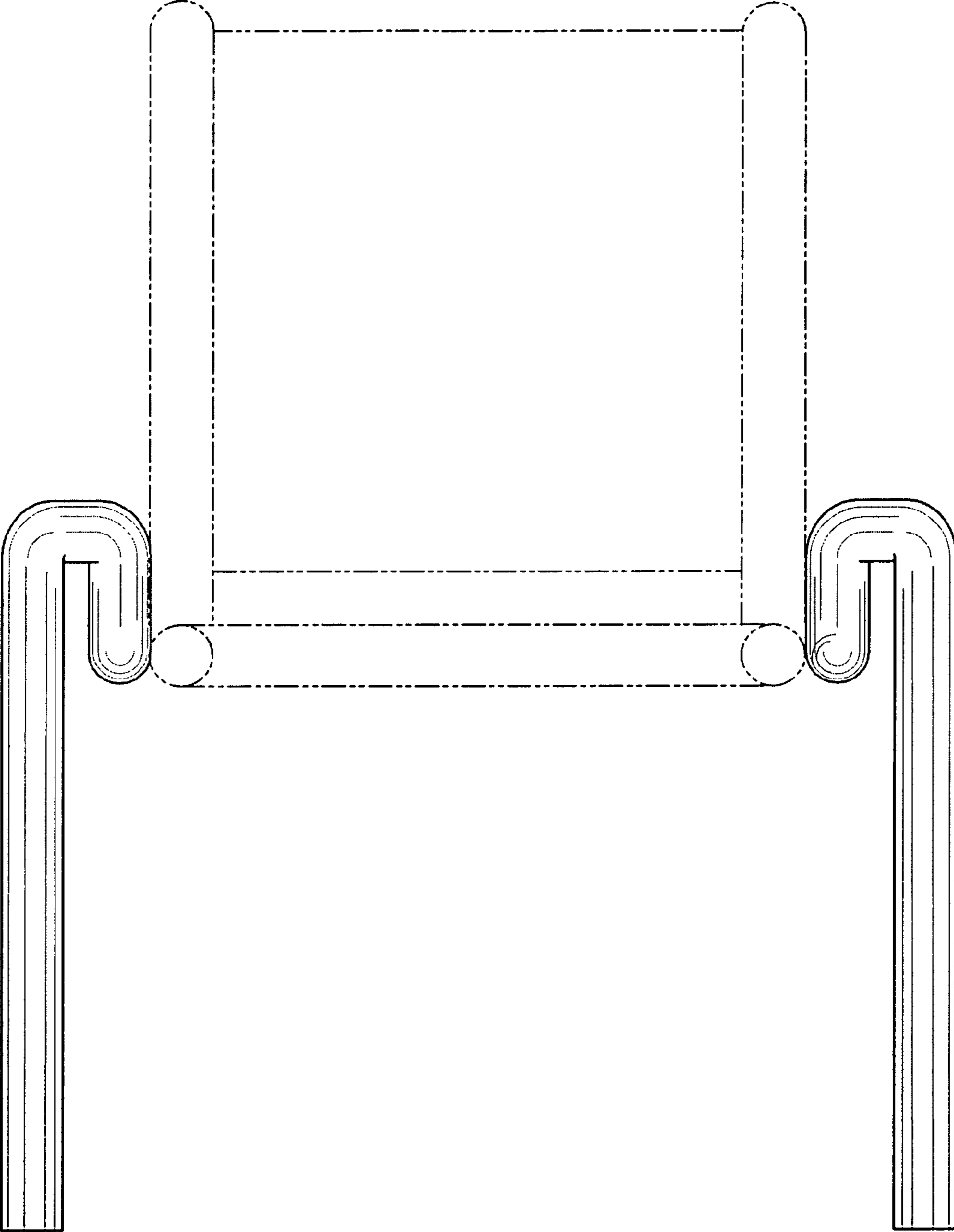


Fig. 6