

US00D667649S

(12) **United States Design Patent**
Waite et al.

(10) **Patent No.:** **US D667,649 S**
(45) **Date of Patent:** **** Sep. 25, 2012**

- (54) **CHAIR**
- (75) Inventors: **Donald Waite**, North Ogden, UT (US);
Ed VanNimwegen, North Ogden, UT
(US); **Rich Howe**, Pleasant View, UT
(US)
- (73) Assignee: **Lifetime Products, Inc.**, Clearfield, UT
(US)
- (**) Term: **14 Years**
- (21) Appl. No.: **29/410,145**
- (22) Filed: **Jan. 4, 2012**

- D465,665 S 11/2002 Ritchie et al.
- D466,712 S 12/2002 Haney et al.
- D472,064 S 3/2003 Haney et al.
- D472,723 S 4/2003 Haney et al.
- D472,745 S 4/2003 Haney et al.
- D473,059 S 4/2003 Haney et al.
- 6,543,842 B2 4/2003 Haney
- D476,162 S 6/2003 Finazzi
- D477,470 S 7/2003 Haney et al.
- D477,926 S 8/2003 Haney et al.
- D477,939 S 8/2003 Haney et al.
- D481,550 S 11/2003 Astle
- D482,540 S 11/2003 Ashby
- D482,543 S 11/2003 Haney et al.
- D489,192 S 5/2004 Jin et al.

(Continued)

Related U.S. Application Data

- (63) Continuation of application No. 12/327,678, filed on
Dec. 3, 2008.
- (51) **LOC (9) Cl.** **06-01**
- (52) **U.S. Cl.** **D6/368**
- (58) **Field of Classification Search** D6/334-336,
D6/368, 371-373, 374, 376, 379, 380, 500-502;
297/16.1, 40, 41, 55, 56, 58, 183.7, 452.1,
297/452.21, 542.29, 452.36, 452.64
See application file for complete search history.

References Cited

U.S. PATENT DOCUMENTS

- D107,545 S 12/1937 O'Connor
- 2,294,340 A 8/1942 Irvn
- 2,458,095 A 1/1949 O'Connor
- 3,431,022 A 3/1969 Poppe et al.
- D214,267 S 5/1969 Moore et al.
- 6,027,171 A 2/2000 Partington et al.
- 6,036,272 A 3/2000 Samples et al.
- D435,977 S 1/2001 Ambasz
- D436,457 S 1/2001 Ambasz
- D443,429 S 6/2001 Mower et al.
- D452,619 S 1/2002 Piretti

OTHER PUBLICATIONS

U.S. Appl. No. 29/394,086, filed Jun. 13, 2011, Ashby et al.

(Continued)

Primary Examiner — Susan Bennett Hattan

Assistant Examiner — Barbara B Lohr

(74) *Attorney, Agent, or Firm* — Maschoff Gilmore &
Israelsen

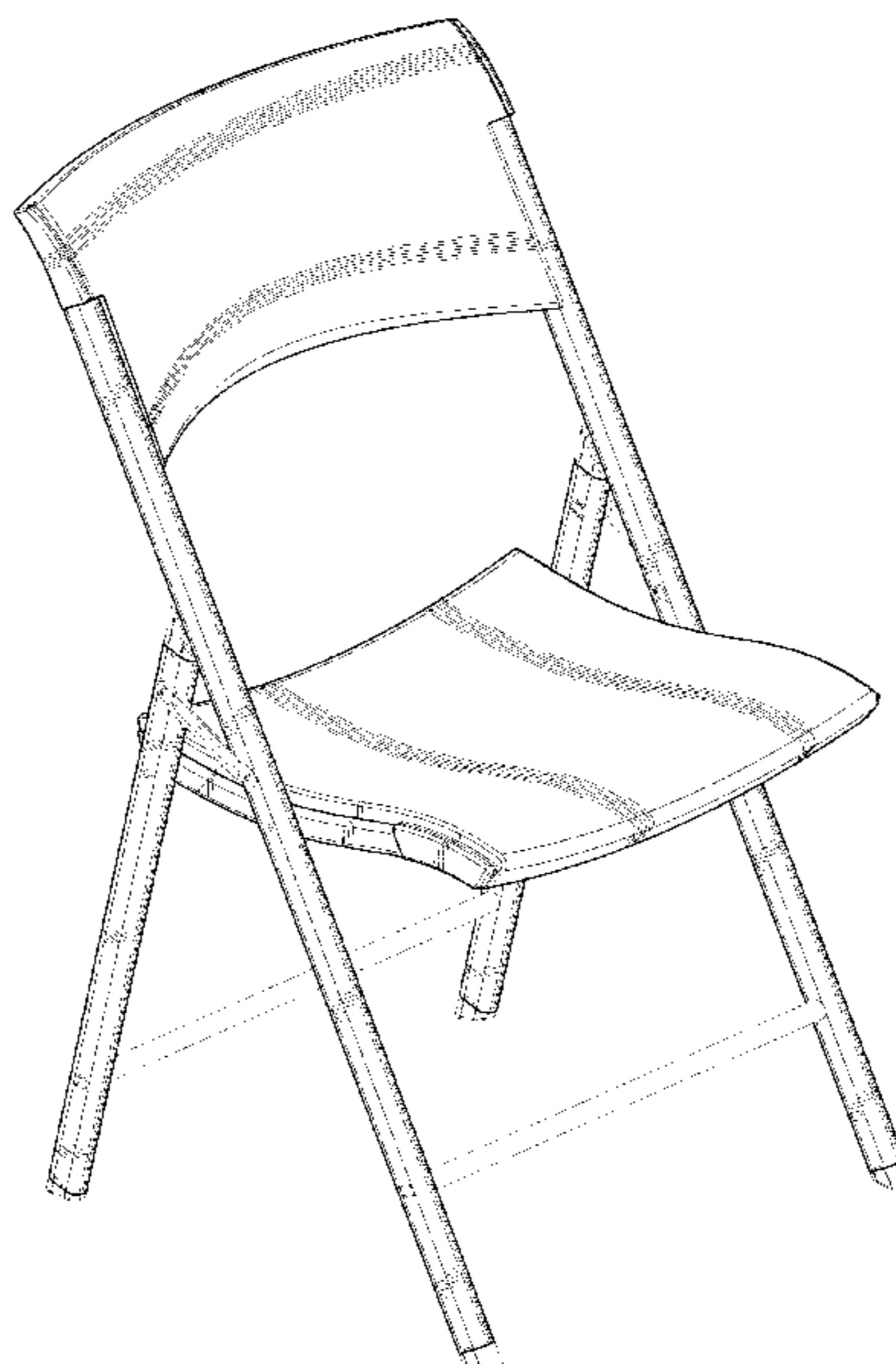
CLAIM

The ornamental design for a chair, as shown and described.

DESCRIPTION

FIG. 1 is an upper perspective view of an chair;
 FIG. 2 is a front view of the chair;
 FIG. 3 is a rear view of the chair;
 FIG. 4 is a left side view of the chair;
 FIG. 5 is a right side view of the chair;
 FIG. 6 is a top view of the chair; and,
 FIG. 7 is a bottom view of the chair.
 The broken lines shown in the figures depict environmental
 subject matter only and form no part of the claimed design.

1 Claim, 7 Drawing Sheets



US D667,649 S

Page 2

U.S. PATENT DOCUMENTS

D498,071	S	11/2004	Ashby et al.	
6,871,906	B2	3/2005	Haney	
D506,325	S	6/2005	Farber et al.	
D507,425	S	7/2005	Ashby et al.	
D508,339	S	8/2005	Astle	
7,014,261	B2	3/2006	Haney	
7,017,986	B2	3/2006	Degen et al.	
D519,292	S	4/2006	Ashby	
D523,254	S	6/2006	Nye et al.	
D544,225	S	6/2007	Cantarutti	
7,452,035	B2	11/2008	Astle et al.	
D647,718	S *	11/2011	Chen	D6/368
D648,554	S *	11/2011	Smith	D6/368
D653,471	S *	2/2012	Chan	D6/368
D655,932	S *	3/2012	Ashby et al.	D6/368

2003/0168894	A1	9/2003	Lin
2005/0104421	A1	5/2005	Astle et al.
2005/0121947	A1	6/2005	Haney
2007/0257524	A1	11/2007	Huang

OTHER PUBLICATIONS

U.S. Appl. No. 29/327,678, filed Dec. 3, 2008, Waite et al.
U.S. Appl. No. 60/975,788, filed Sep. 27, 2007, van Nimwegen et al.
U.S. Appl. No. 61/094,759, filed Sep. 5, 2008, van Nimwegen et al.
U.S. Appl. No. 61/239,736, filed Sep. 3, 2010, van Nimwegen et al.
International Search Report and Written Opinion from PCT International Application No. PCT/US2008/085564, date Aug. 19, 2009, 8 pages.

* cited by examiner

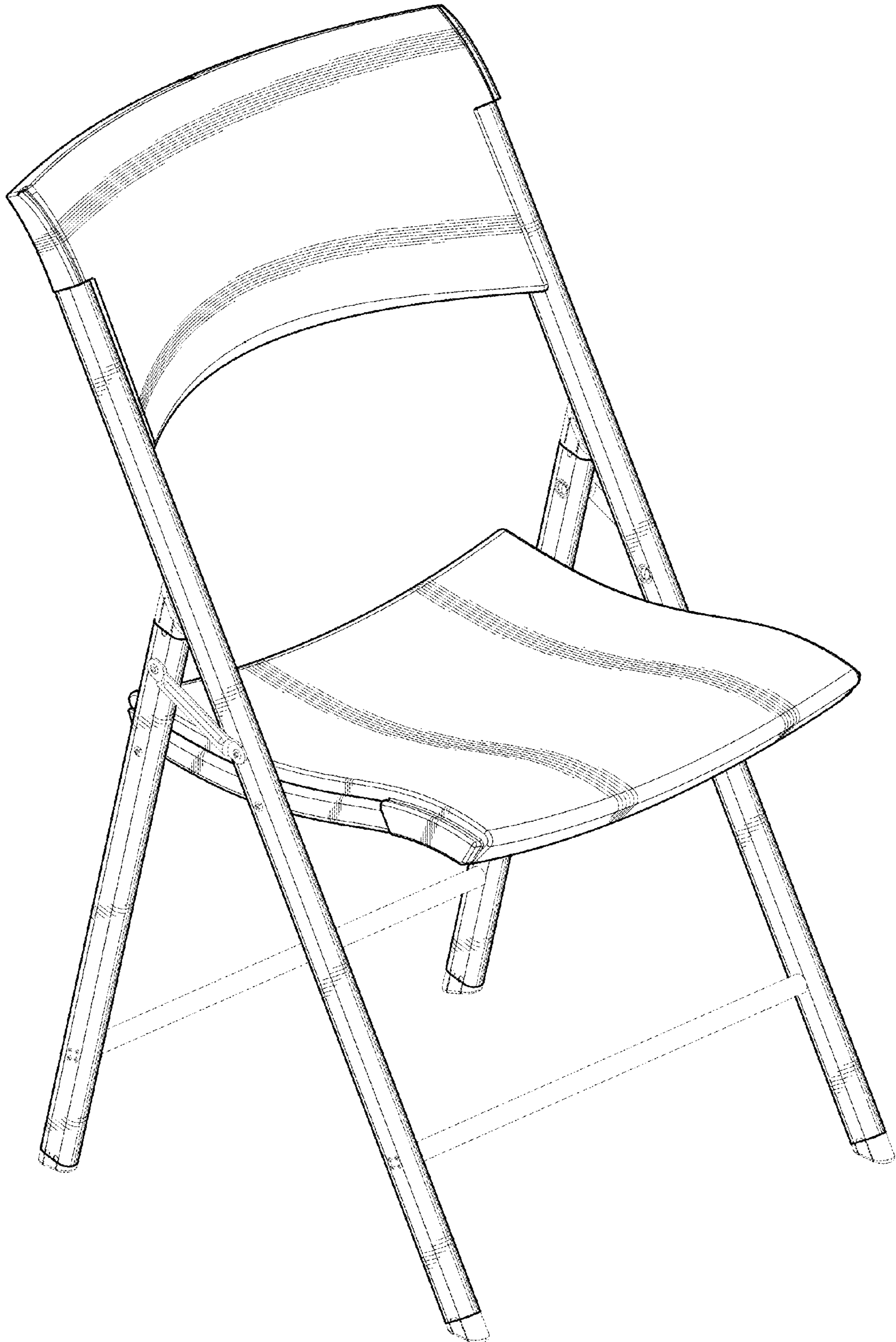


Fig. 1

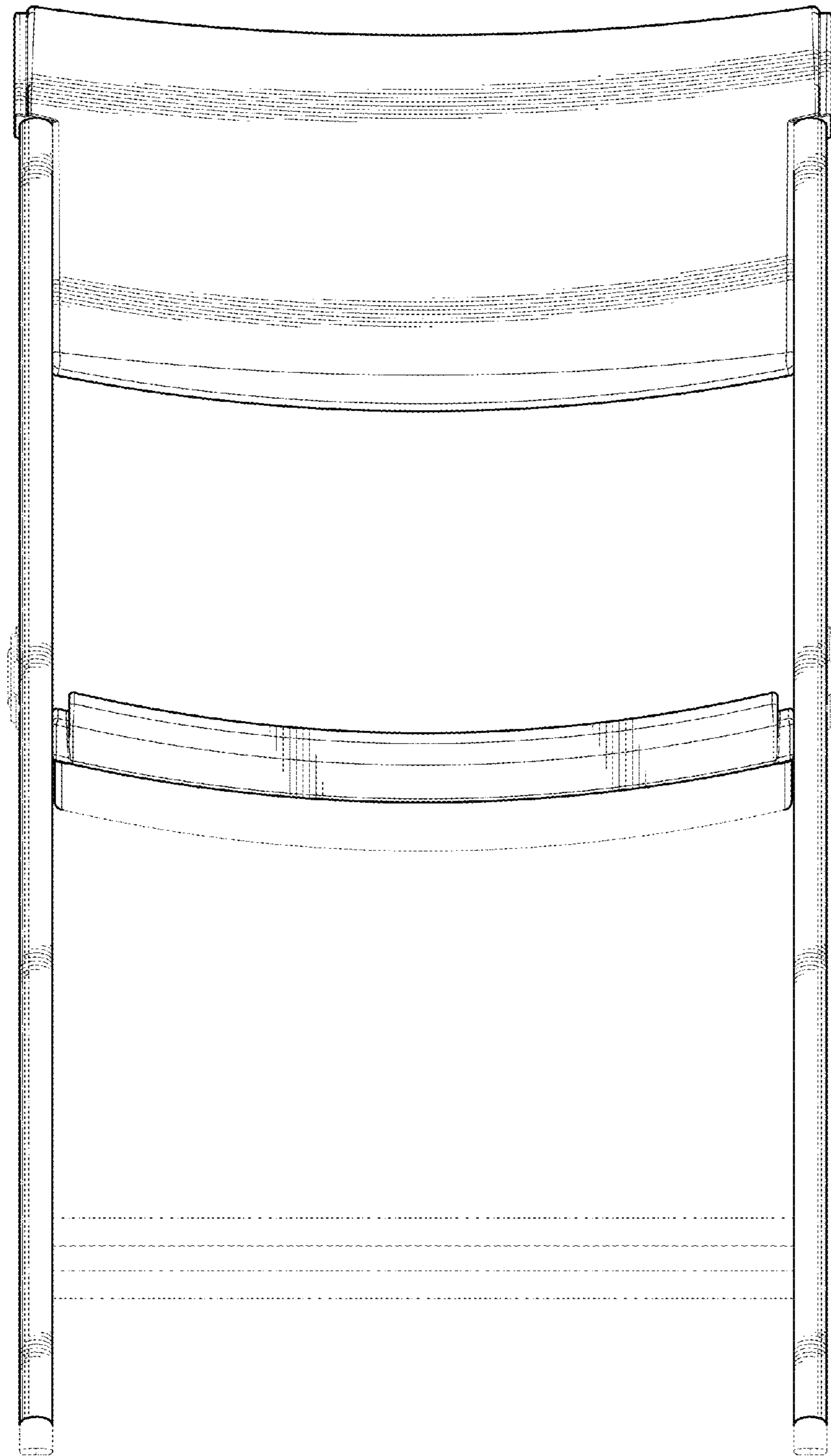


Fig. 2

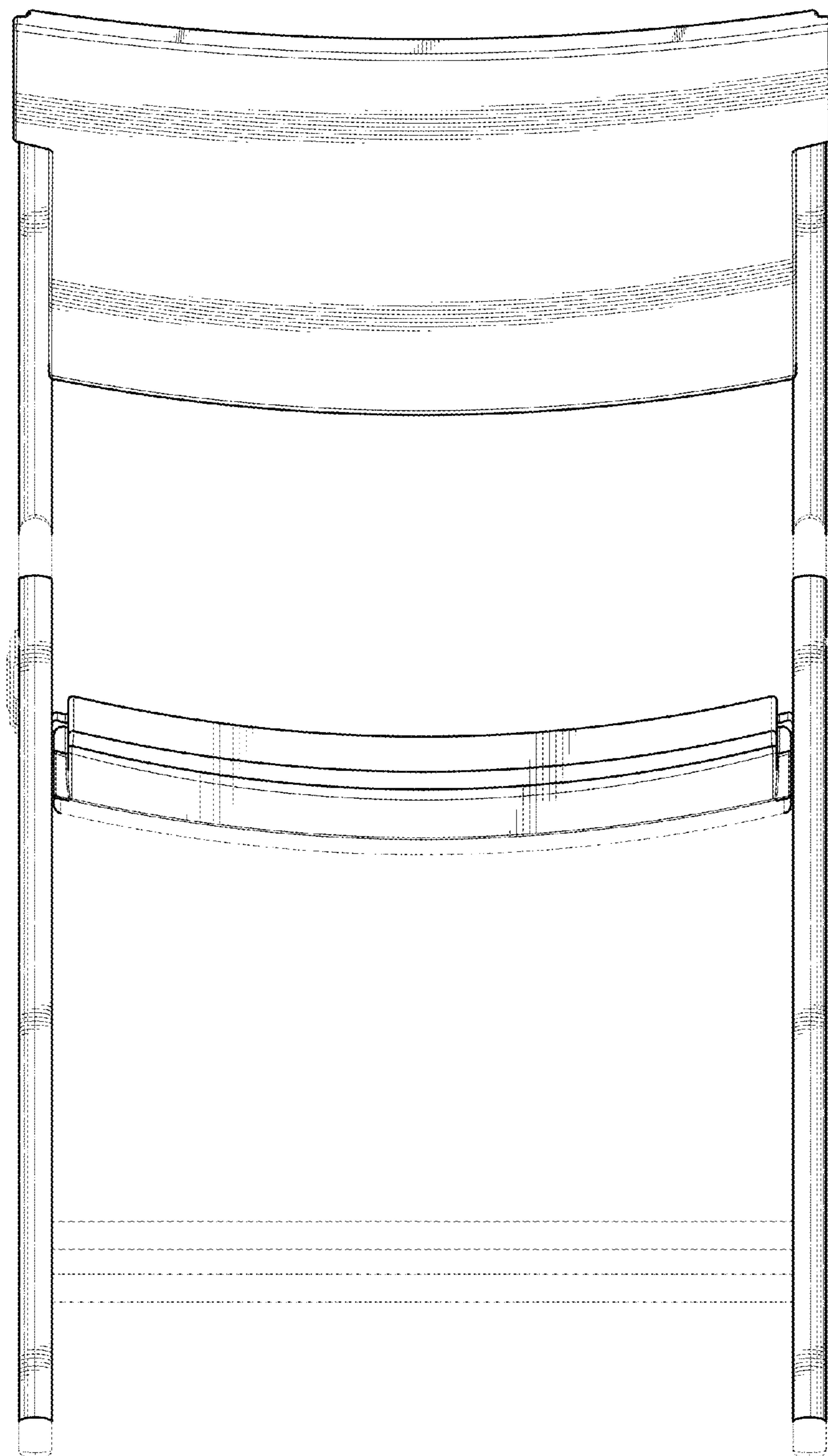


Fig. 3

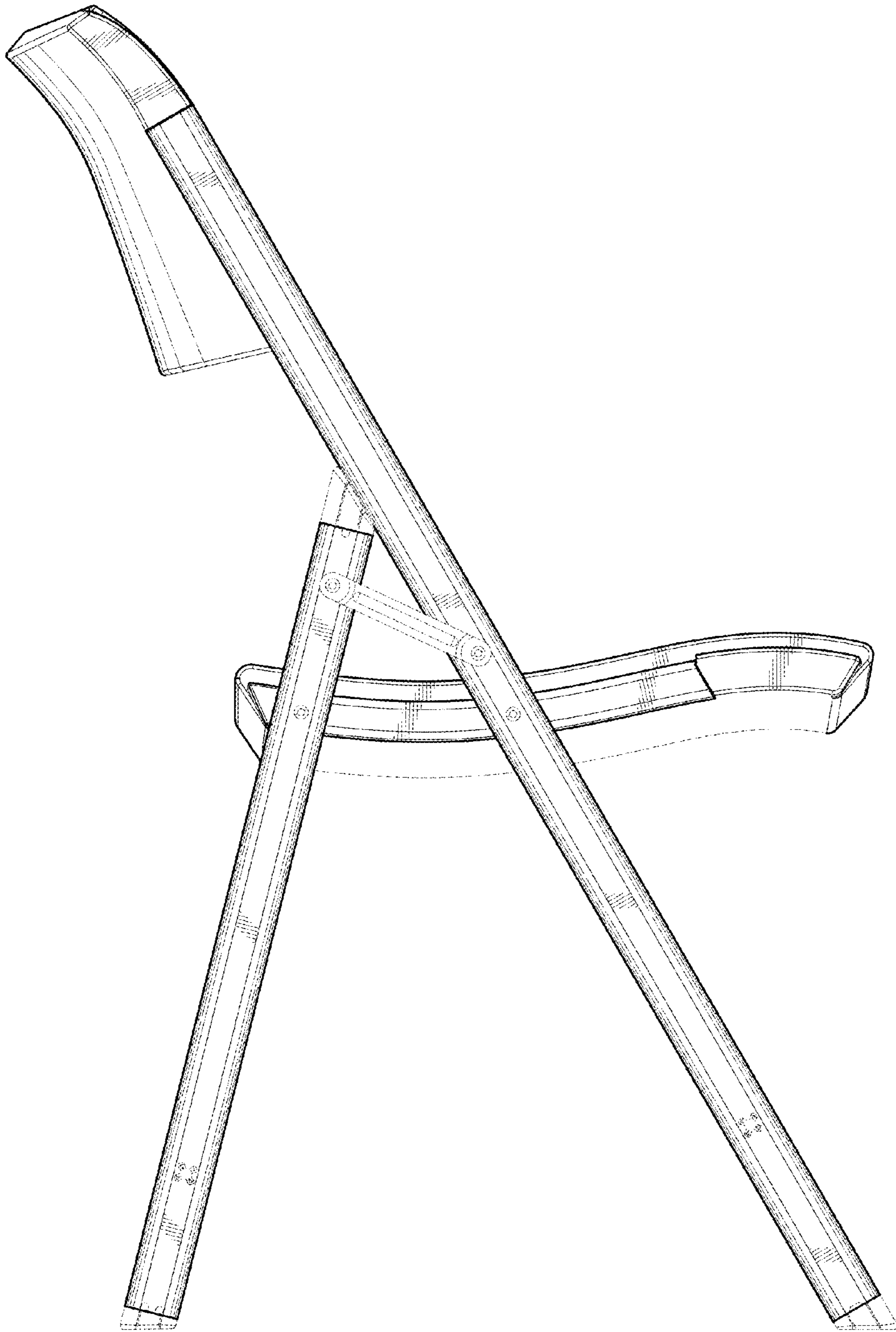


Fig. 4

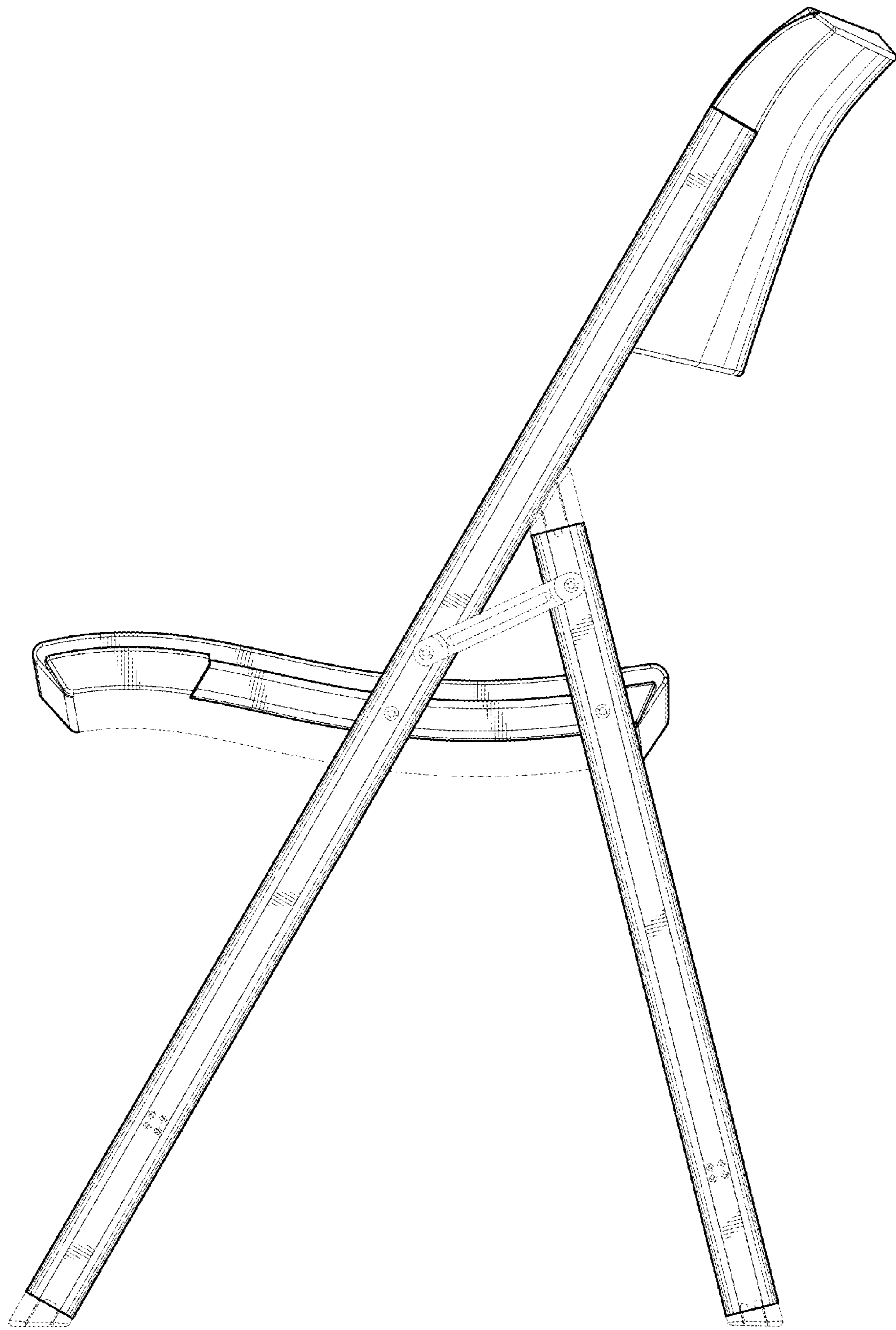


Fig. 5

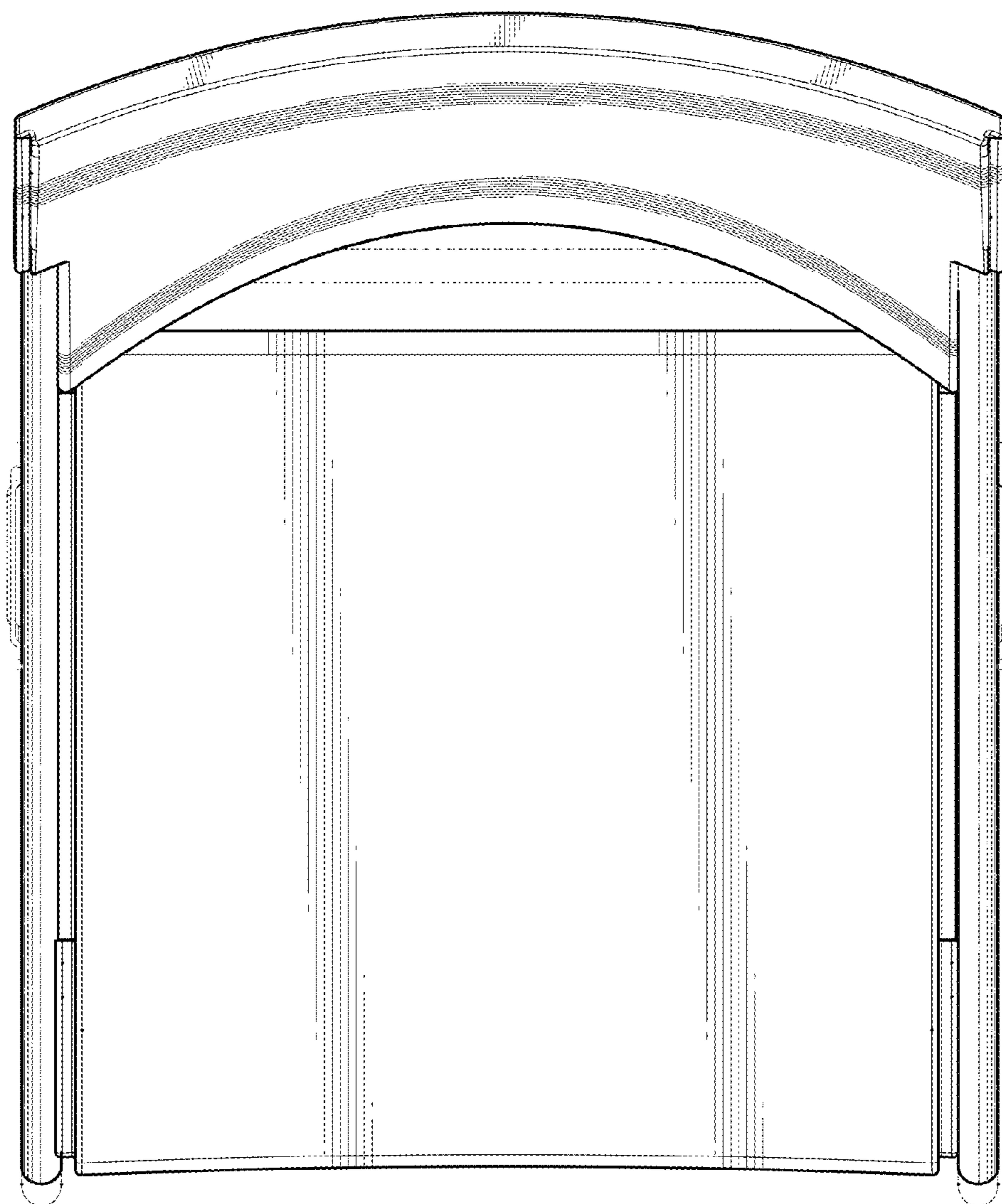


Fig. 6

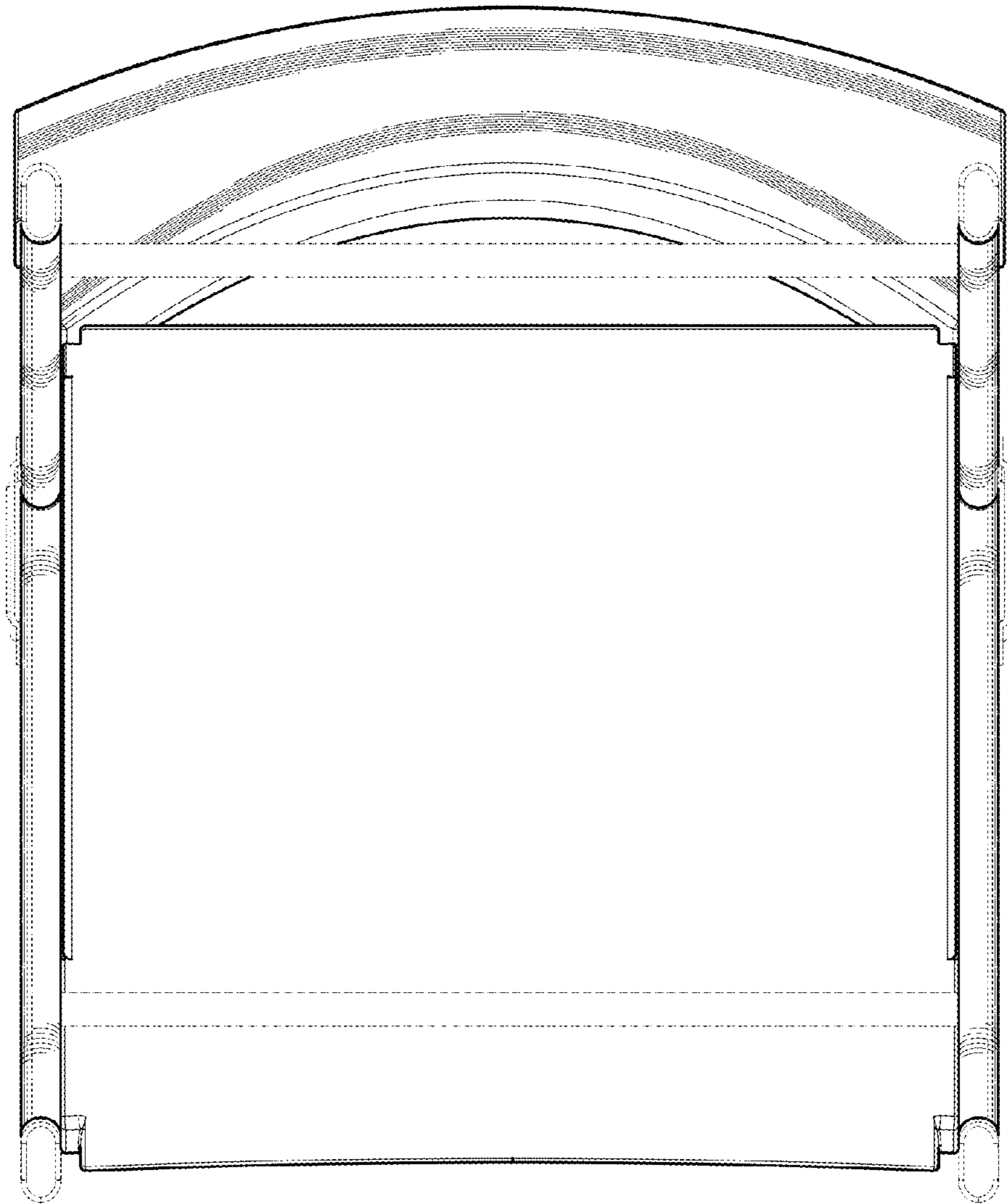


Fig. 7

UNITED STATES PATENT AND TRADEMARK OFFICE
CERTIFICATE OF CORRECTION

PATENT NO. : D667,649 S
APPLICATION NO. : 29/410145
DATED : September 25, 2012
INVENTOR(S) : Donald Waite et al.

Page 1 of 1

It is certified that error appears in the above-identified patent and that said Letters Patent is hereby corrected as shown below:

1. On the Face Page, in Field (57), under "DESCRIPTION", in Column 2, Line 1, delete "of an" and insert -- of a --, therefor.

Signed and Sealed this
Twenty-fifth Day of December, 2012

A handwritten signature in black ink that reads "David J. Kappos". The signature is written in a cursive style with a large initial 'D' and 'K'.

David J. Kappos
Director of the United States Patent and Trademark Office