



US00D667646S

(12) **United States Design Patent**  
**Daeseleire**

(10) **Patent No.:** **US D667,646 S**

(45) **Date of Patent:** **\*\* Sep. 25, 2012**

(54) **BABY BOOSTER SEAT**

(75) **Inventor:** **Bruno Jozef Ivo Frans Maria Ghisleen Daeseleire**, Brasschaat (BE)

(73) **Assignee:** **Mykko, Naamloze Vennootschap**, Schoten (BE)

(\*\*) **Term:** **14 Years**

(21) **Appl. No.:** **29/415,580**

(22) **Filed:** **Mar. 12, 2012**

(30) **Foreign Application Priority Data**

Sep. 15, 2011 (EP) ..... 001917691

(51) **LOC (9) Cl.** ..... **06-01**

(52) **U.S. Cl.** ..... **D6/333**

(58) **Field of Classification Search** ..... D6/333-336, D6/339-341, 344, 381, 491, 500-502; 297/250.1, 297/255, 256.15, 440.13, 440.15, 254, 485, 297/219.12, 230.1, 230.11, 256.11, 184.17, 297/184.4, 468; 5/94, 103-104, 655.3; D12/129-130, 133; D21/419

See application file for complete search history.

(56) **References Cited**

**U.S. PATENT DOCUMENTS**

D211,631 S \* 7/1968 Gervals ..... D6/333  
3,829,113 A \* 8/1974 Epelbaum ..... 280/30  
3,992,028 A \* 11/1976 Abe et al. .... 280/728.1

D340,139 S \* 10/1993 McCaskill ..... D6/333  
5,647,634 A \* 7/1997 Presser et al. .... 297/238  
7,000,985 B2 \* 2/2006 Belgarde ..... 297/255  
D565,311 S \* 4/2008 Ishikawa ..... D6/339  
D587,472 S \* 3/2009 Ishikawa ..... D6/333  
7,806,475 B2 \* 10/2010 Coady ..... 297/255

\* cited by examiner

*Primary Examiner* — Caron D Veynar

*Assistant Examiner* — Abraham Bahta

(74) *Attorney, Agent, or Firm* — Bacon & Thomas, PLLC

(57) **CLAIM**

The ornamental design for the baby booster seat, as shown and described.

**DESCRIPTION**

FIG. 1 is a front perspective view of the baby booster seat showing my new design in unfolded condition;

FIG. 2 is a front perspective view of the baby booster seat shown fully unfolded;

FIG. 3 is a front perspective view of the baby booster seat in a folded condition;

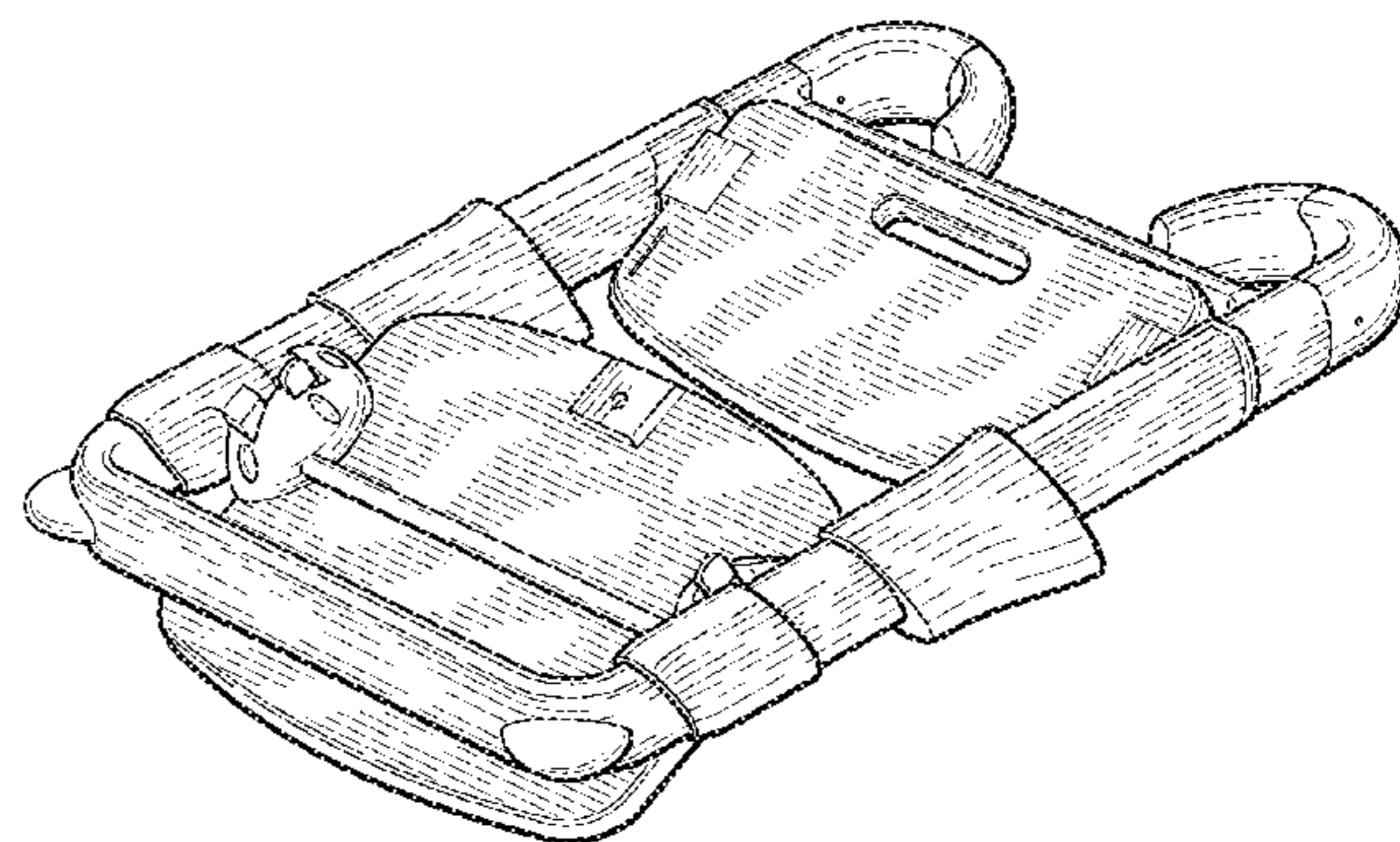
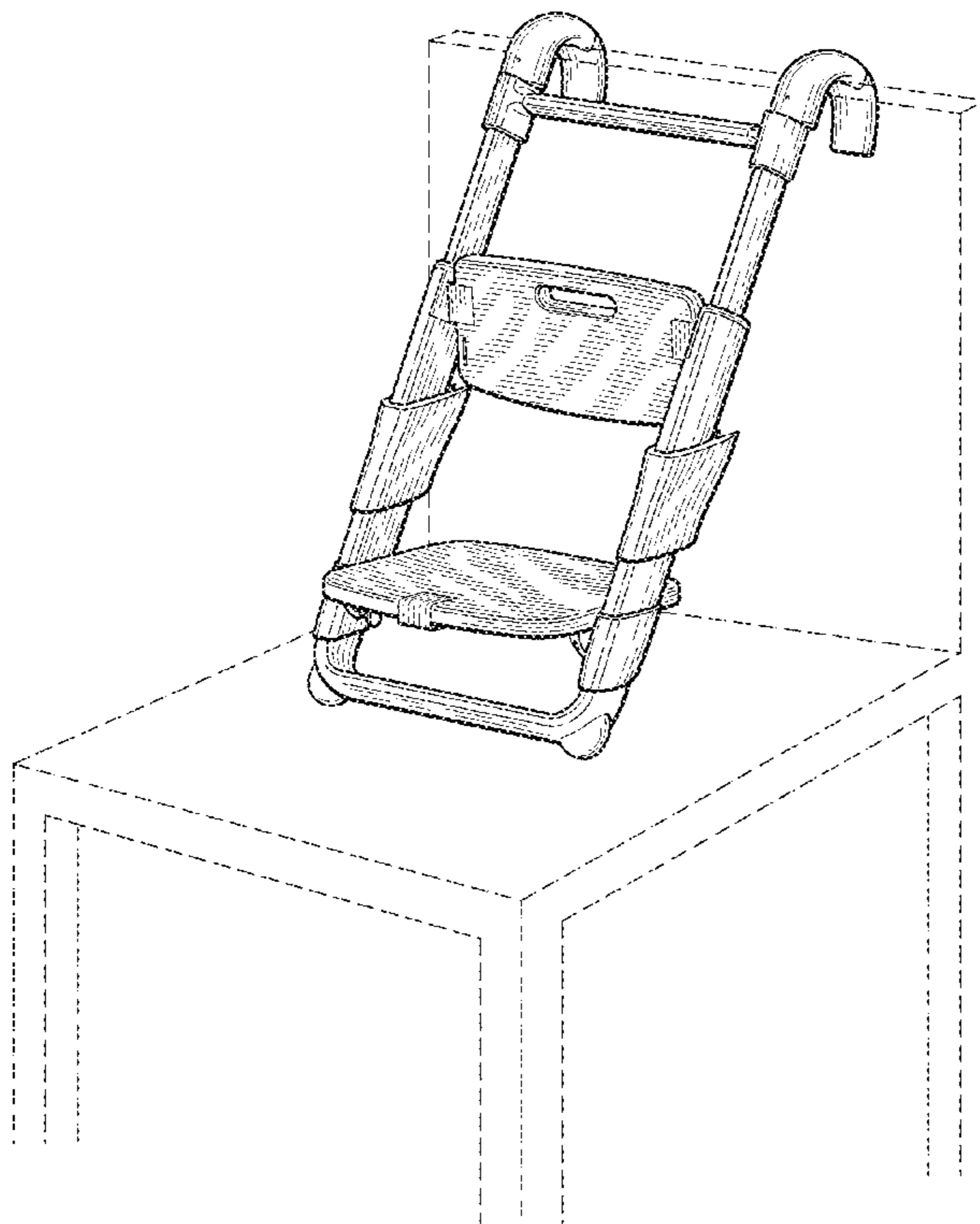
FIG. 4 is a rear perspective view of the baby booster seat in unfolded condition;

FIG. 5 is a left side elevation view of the baby booster seat in folded condition, the right side being a mirror image thereof; and,

FIG. 6 is a rear elevation view of the baby booster seat in unfolded condition.

The broken line showing of a chair is included for the purpose of illustrating environmental structure and forms no part of the claimed design.

**1 Claim, 4 Drawing Sheets**



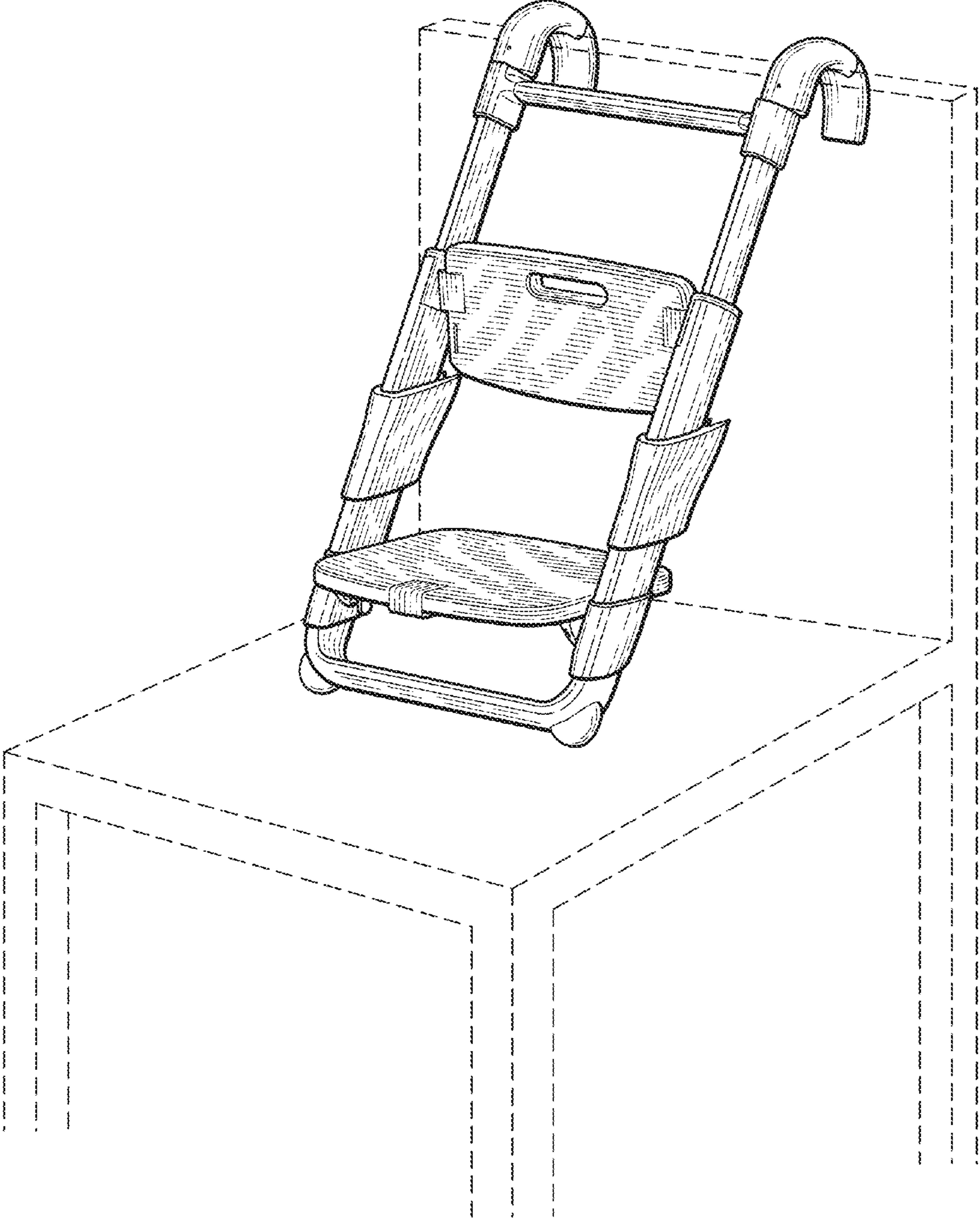


FIG. 1

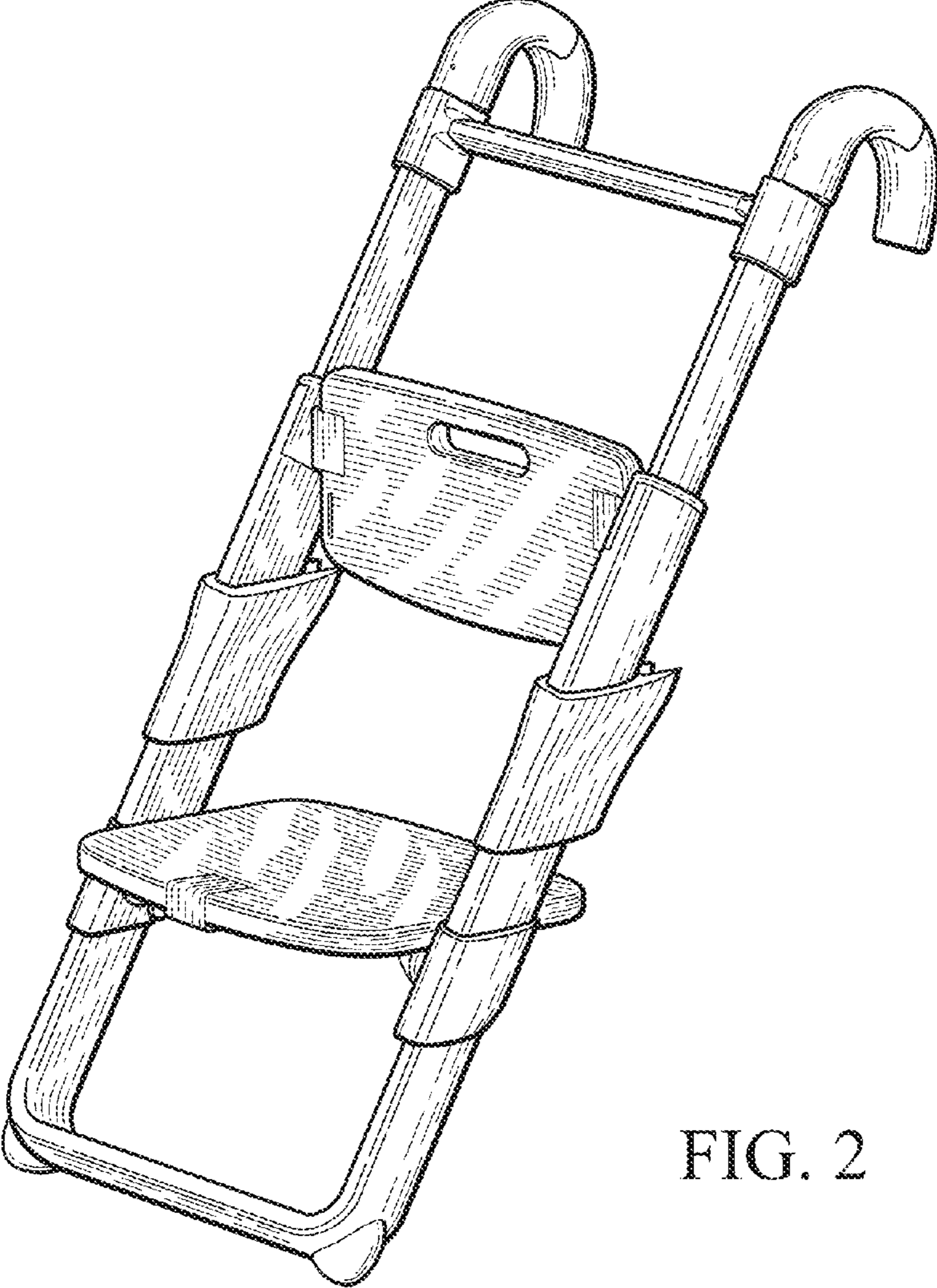


FIG. 2



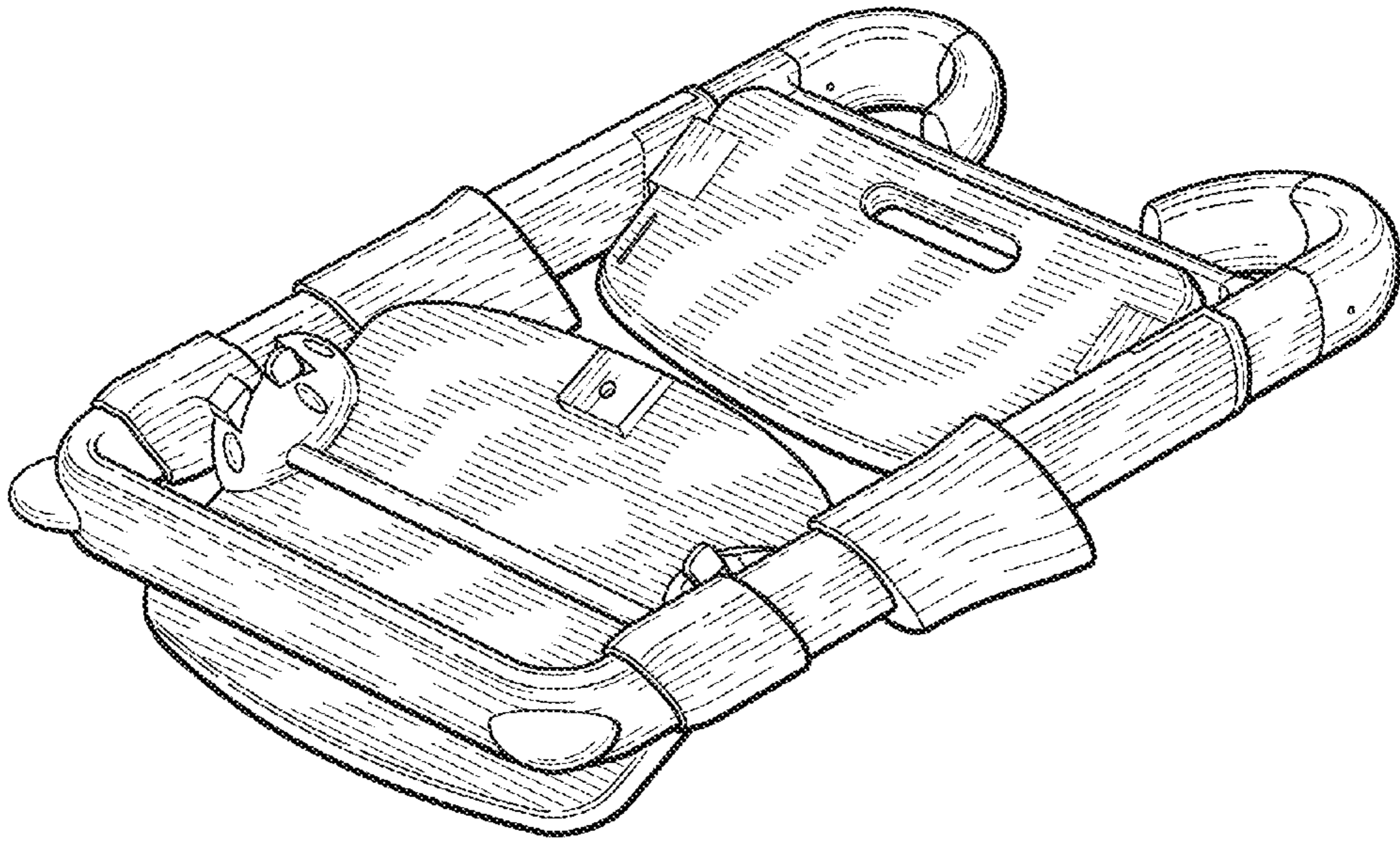


FIG. 3

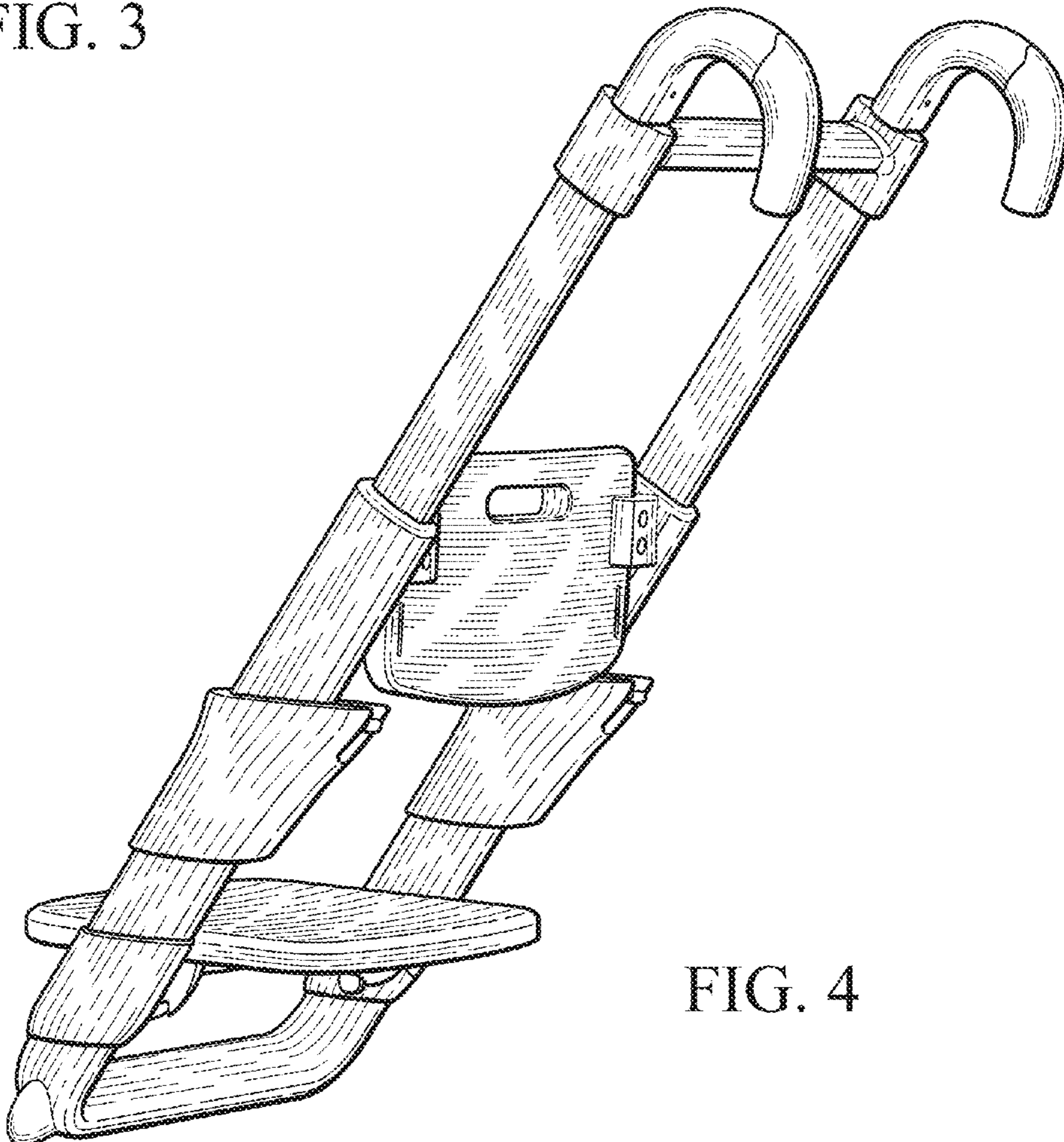


FIG. 4

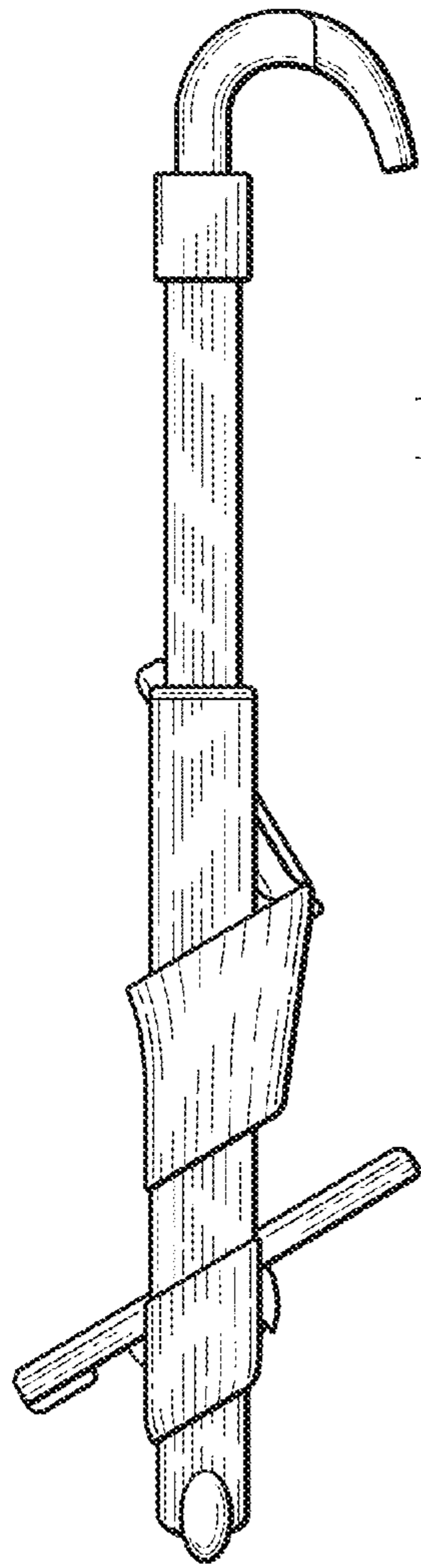


FIG. 5

FIG. 6

