

US00D667636S

(12) **United States Design Patent**  
**Maglieri**

(10) **Patent No.:** **US D667,636 S**

(45) **Date of Patent:** **\*\* Sep. 25, 2012**

(54) **TOOL BAG**

(76) Inventor: **Anthony Maglieri**, Camarillo, CA (US)

(\*\*) Term: **14 Years**

(21) Appl. No.: **29/387,322**

(22) Filed: **Mar. 11, 2011**

(51) **LOC (9) Cl.** ..... **03-01**

(52) **U.S. Cl.** ..... **D3/321**

(58) **Field of Classification Search** ..... D3/299,  
D3/294, 321, 215, 273, 295, 905, 274, 240-246,  
D3/249, 253, 303, 290, 232, 301, 233; D99/34-35;  
206/372-373, 480, 472-473; 109/59 R,  
109/109; D19/26, 32-33; 150/131-132,  
150/137-138, 143, 100, 103-114  
See application file for complete search history.

(56) **References Cited**

**U.S. PATENT DOCUMENTS**

D434,900	S *	12/2000	Spence et al.	.....	D3/279
D440,765	S *	4/2001	Spence et al.	.....	D3/289
D442,368	S *	5/2001	Spence et al.	.....	D3/289
6,334,519	B1 *	1/2002	Tong	.....	190/107
6,550,592	B1 *	4/2003	Godshaw et al.	.....	190/18 A
D507,878	S *	8/2005	Kavovit	.....	D3/289
7,048,102	B2 *	5/2006	Godshaw et al.	.....	190/107
7,314,126	B2 *	1/2008	Godshaw et al.	.....	190/18 A

7,604,103	B2 *	10/2009	Hamlin	.....	190/111
D609,005	S *	2/2010	Dolce et al.	.....	D3/245
D628,378	S *	12/2010	Dolce et al.	.....	D3/232
7,950,509	B2 *	5/2011	Redzisz	.....	190/111

\* cited by examiner

*Primary Examiner* — Sheryl Lane

(74) *Attorney, Agent, or Firm* — Ralph D. Chabot

(57) **CLAIM**

The ornamental design for a tool bag, as shown and described.

**DESCRIPTION**

FIG. 1 is a front, top, left side perspective view;  
 FIG. 2 is a front elevation view;  
 FIG. 3 is a rear elevation view;  
 FIG. 4 is a right side elevation;  
 FIG. 5 is a left side elevation view;  
 FIG. 6 is a top plan view;  
 FIG. 7 is a bottom plan view;  
 FIG. 8 is a front, top, left side perspective view of my tool bag fitted to an unfolded ladder; and,  
 FIG. 9 is a front, top, left side perspective view of my tool bag fitted to a folded ladder.  
 The broken line portion of the drawings is included to show unclaimed subject matter only and forms no part of the claimed design.

**1 Claim, 6 Drawing Sheets**





FIG. 1



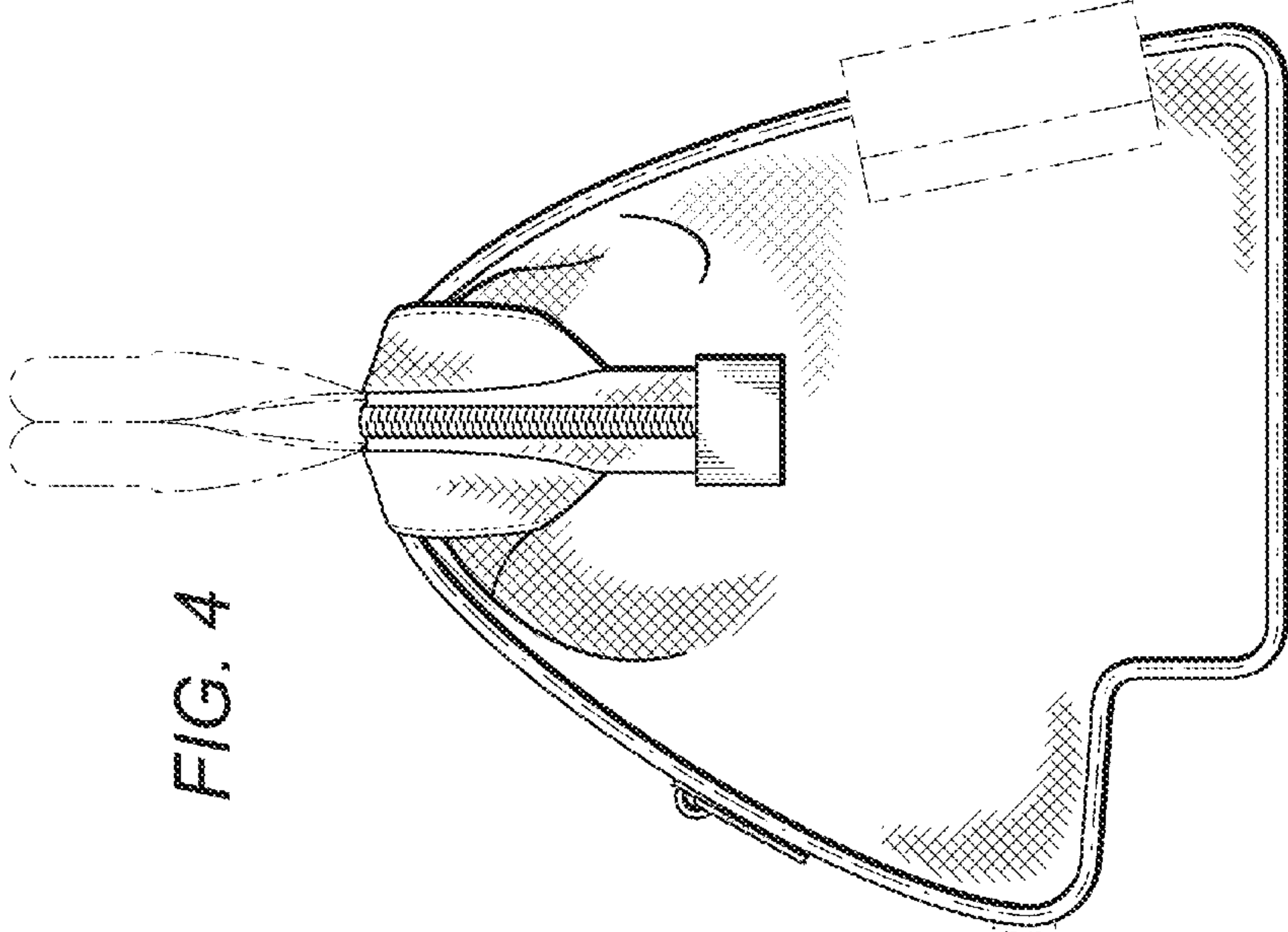


FIG. 4

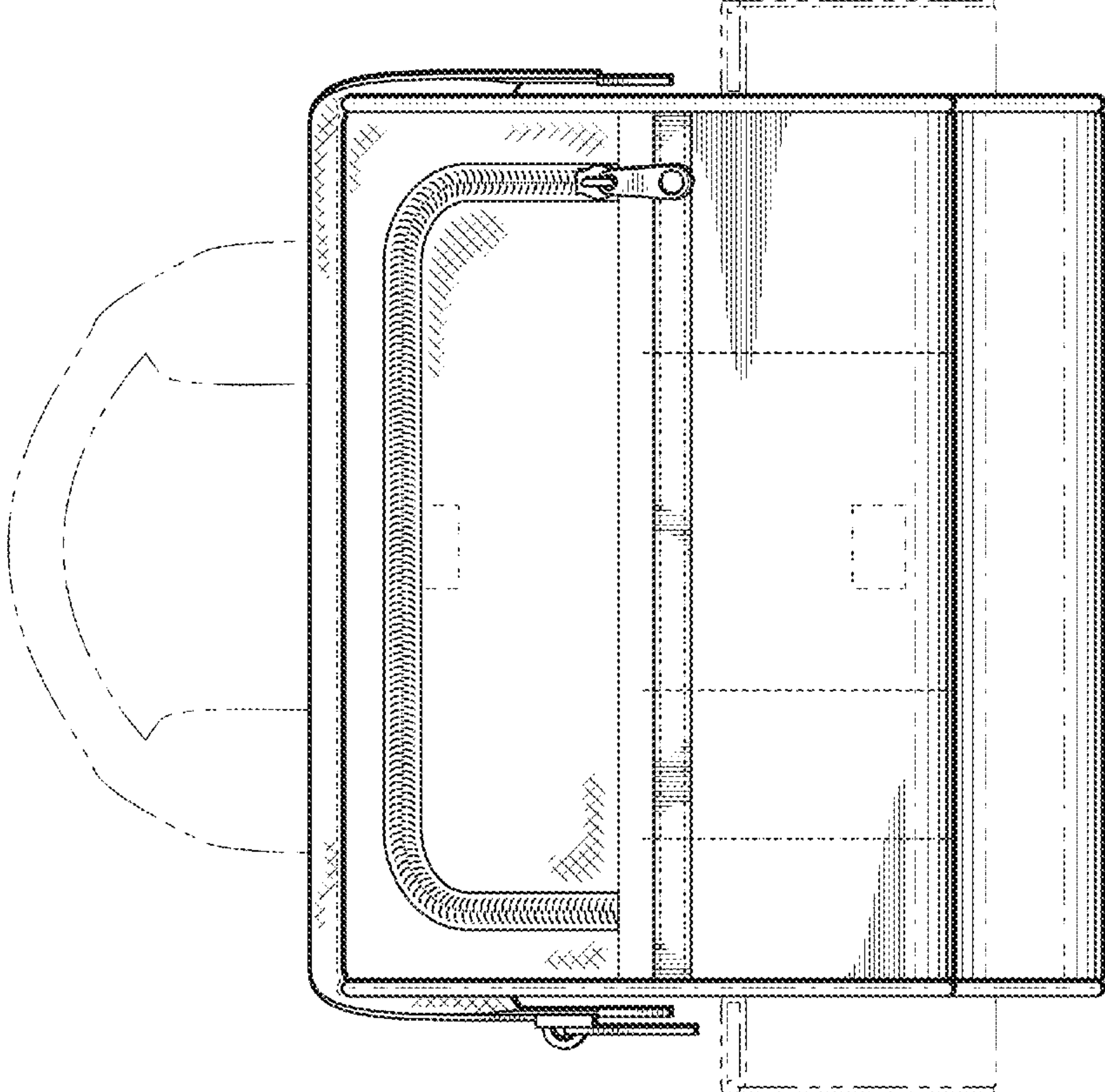


FIG. 2

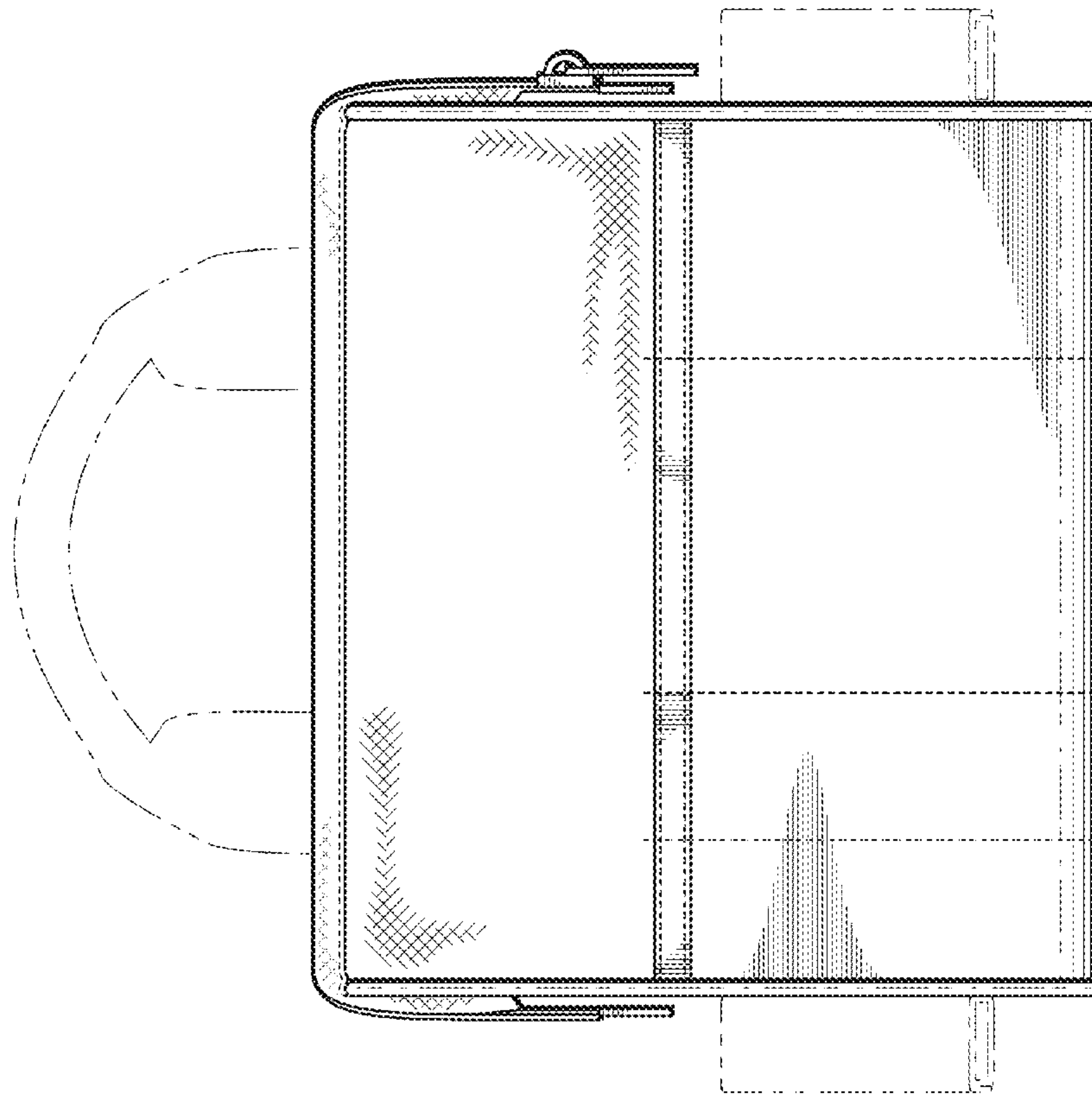


FIG. 3

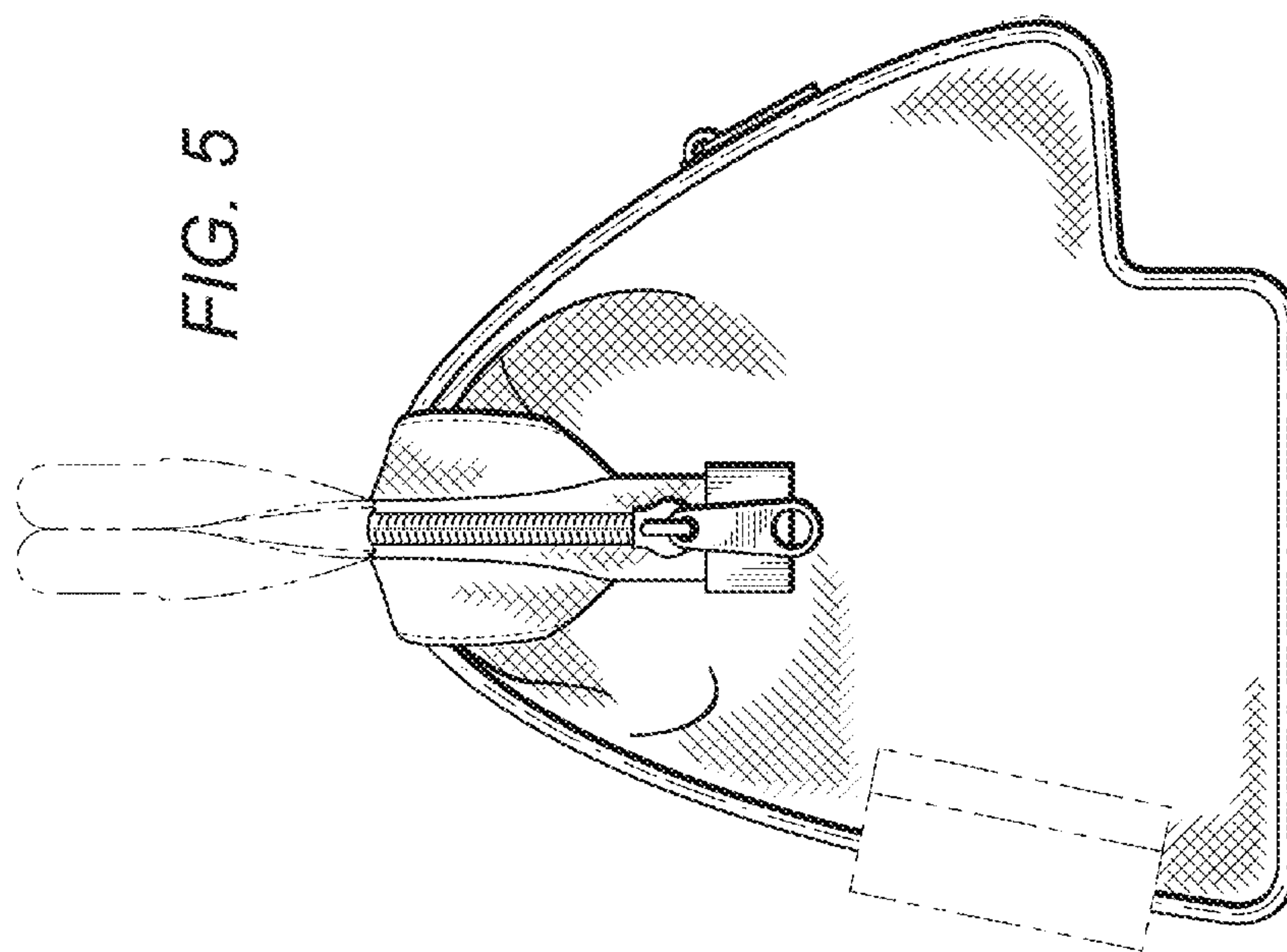


FIG. 5

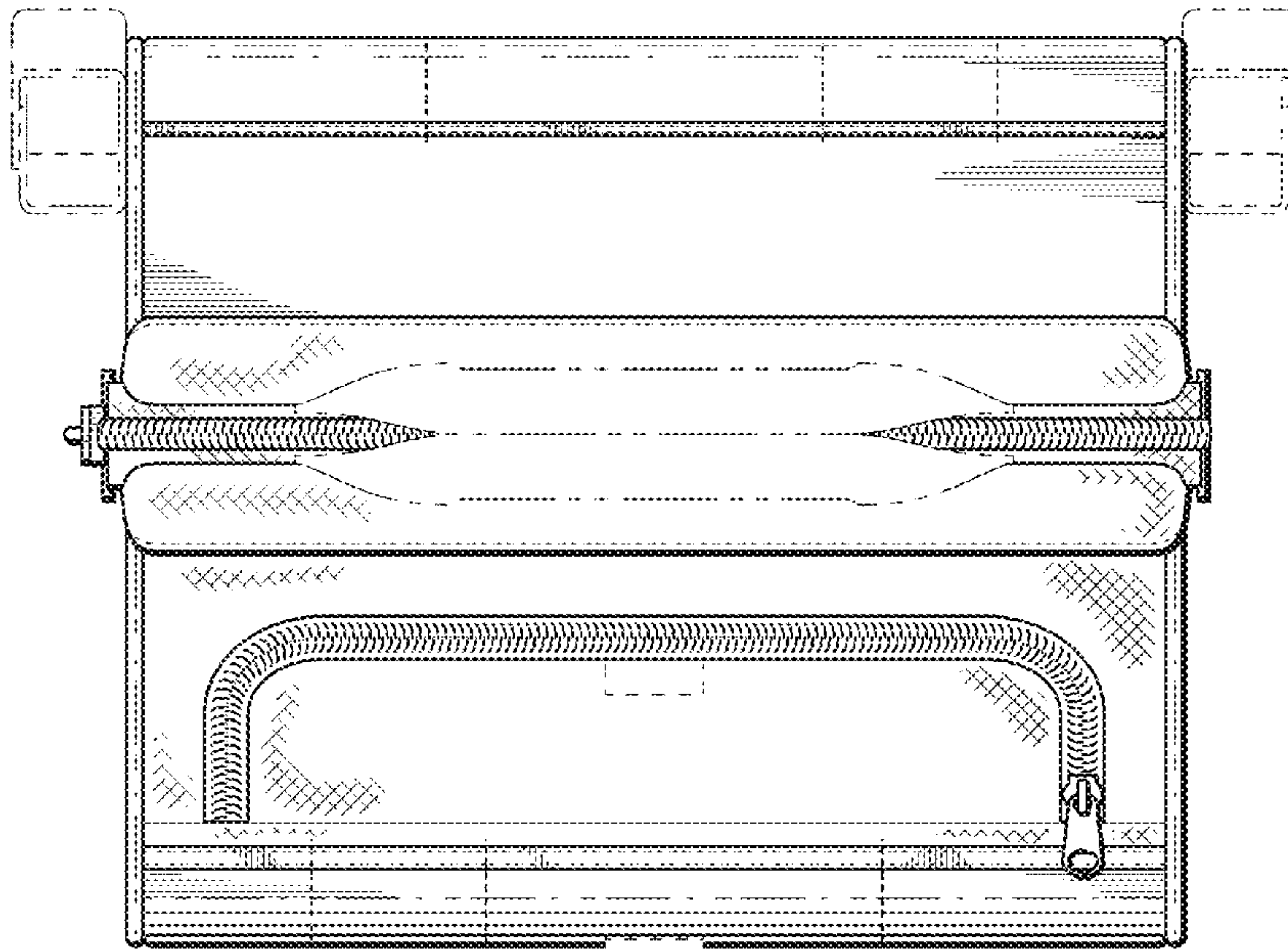
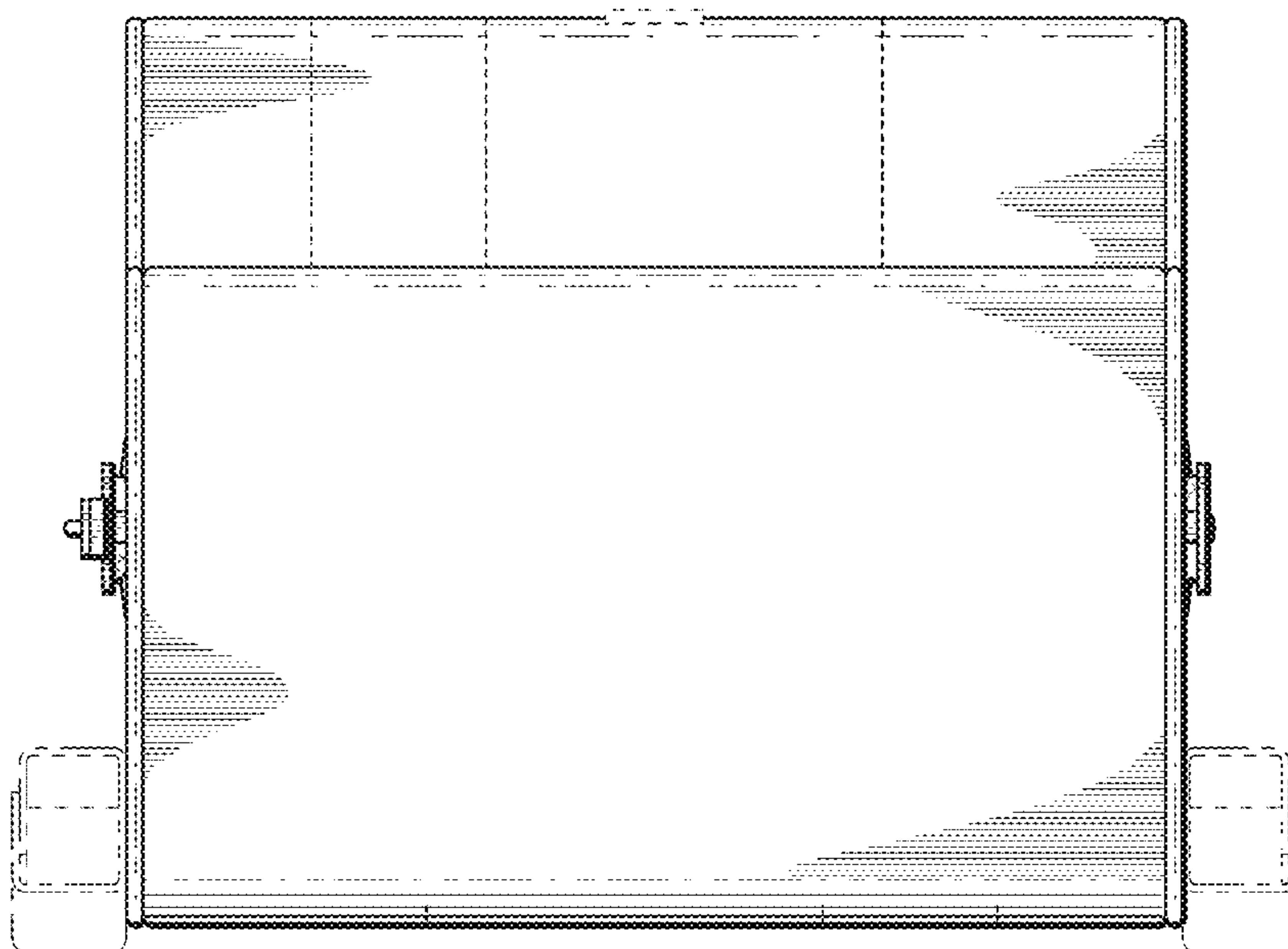


FIG. 6

FIG. 7





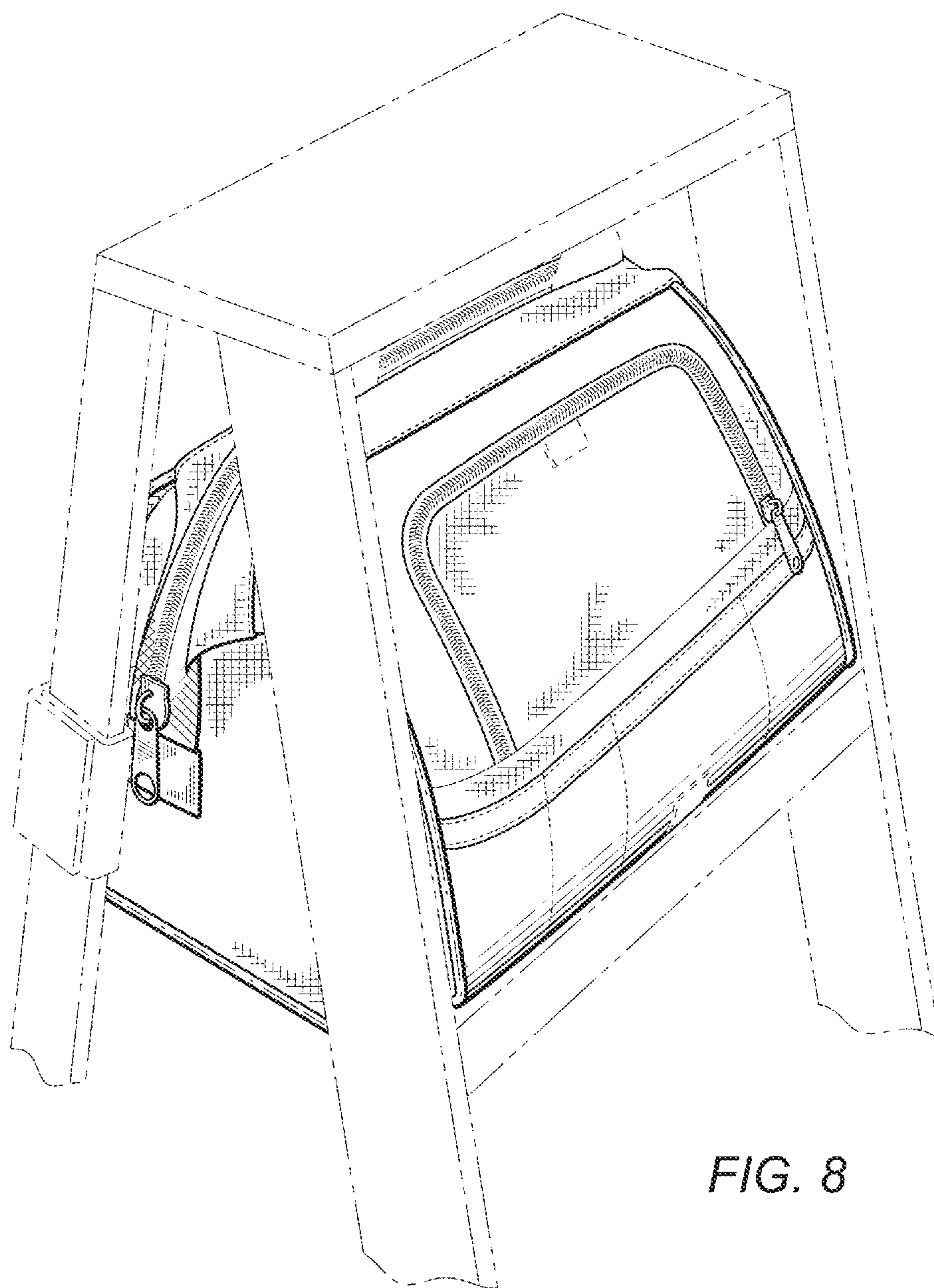


FIG. 8

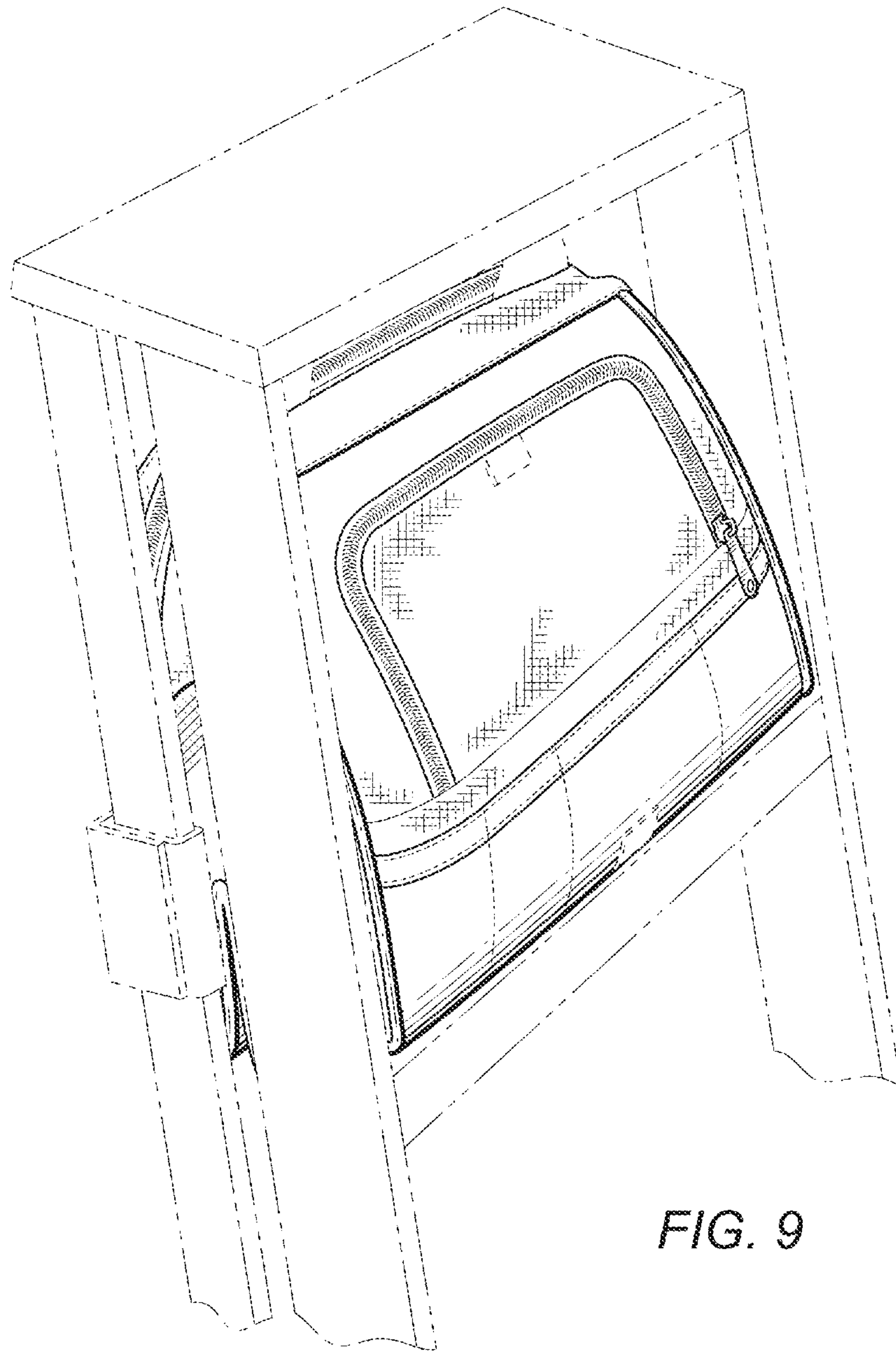


FIG. 9