



US00D667633S

(12) **United States Design Patent**
Searcy

(10) **Patent No.:** **US D667,633 S**

(45) **Date of Patent:** **** Sep. 25, 2012**

(54) **MAGNETIC STORAGE DEVICE**

(76) Inventor: **Marilyn A. Searcy**, Ripon, CA (US)

(**) Term: **14 Years**

(21) Appl. No.: **29/421,076**

(22) Filed: **May 16, 2012**

(51) **LOC (9) Cl.** **03-01**

(52) **U.S. Cl.** **D3/313**

(58) **Field of Classification Search** D3/304,
D3/307-314, 315; D9/432, 741; D19/75,
D19/77; 206/371-373, 504; 211/10-11,
211/13.1, 45, 50, 55, 126.9; D6/512, 515,
D6/569

See application file for complete search history.

(56) **References Cited**

U.S. PATENT DOCUMENTS

D307,445 S *	4/1990	Greenhut et al.	D19/78
D337,016 S *	7/1993	Fortescue	D6/567
D404,571 S *	1/1999	Evans	D3/312
D405,831 S *	2/1999	Jarjoura	D19/78
D407,929 S *	4/1999	Woodring	D6/510
D411,768 S *	7/1999	Woodring	D3/314
D418,056 S *	12/1999	Johnson	D9/431
D486,022 S *	2/2004	Shamoon	D6/553
D490,857 S *	6/2004	Snell	D19/78
D493,590 S *	7/2004	Chen	D34/1
D501,886 S *	2/2005	Chen et al.	D19/85
D535,821 S *	1/2007	Chen et al.	D3/304
D535,842 S *	1/2007	Wood	D6/567
D547,177 S *	7/2007	Sherman et al.	D9/425
D581,118 S *	11/2008	Bergman	D32/53.1

D592,434 S *	5/2009	Thompson et al.	D6/553
D593,796 S *	6/2009	Kevan	D7/400
D600,017 S *	9/2009	Christie	D3/304
D602,693 S *	10/2009	McClees	D3/304
D606,348 S *	12/2009	White et al.	D6/553
D610,199 S *	2/2010	Liang	D19/86
D614,427 S *	4/2010	Nejad	D6/553
D618,675 S *	6/2010	Thompson et al.	D14/251
D633,297 S *	3/2011	Searcy	D3/310
D637,397 S *	5/2011	Searcy	D3/304
D639,092 S *	6/2011	Lundy	D6/513
D645,902 S *	9/2011	Tsai	D19/90
D653,601 S *	2/2012	Stroud et al.	D12/416

* cited by examiner

Primary Examiner — Kelley Donnelly

(74) *Attorney, Agent, or Firm* — Bruce H Johnsonbaugh

(57) **CLAIM**

The ornamental design for a magnetic storage device, as shown and described.

DESCRIPTION

FIG. 1 is a perspective view of the magnetic storage device. FIG. 2 is a front elevational view of the magnetic storage device.

FIG. 3 is a top plan view of the magnetic storage device.

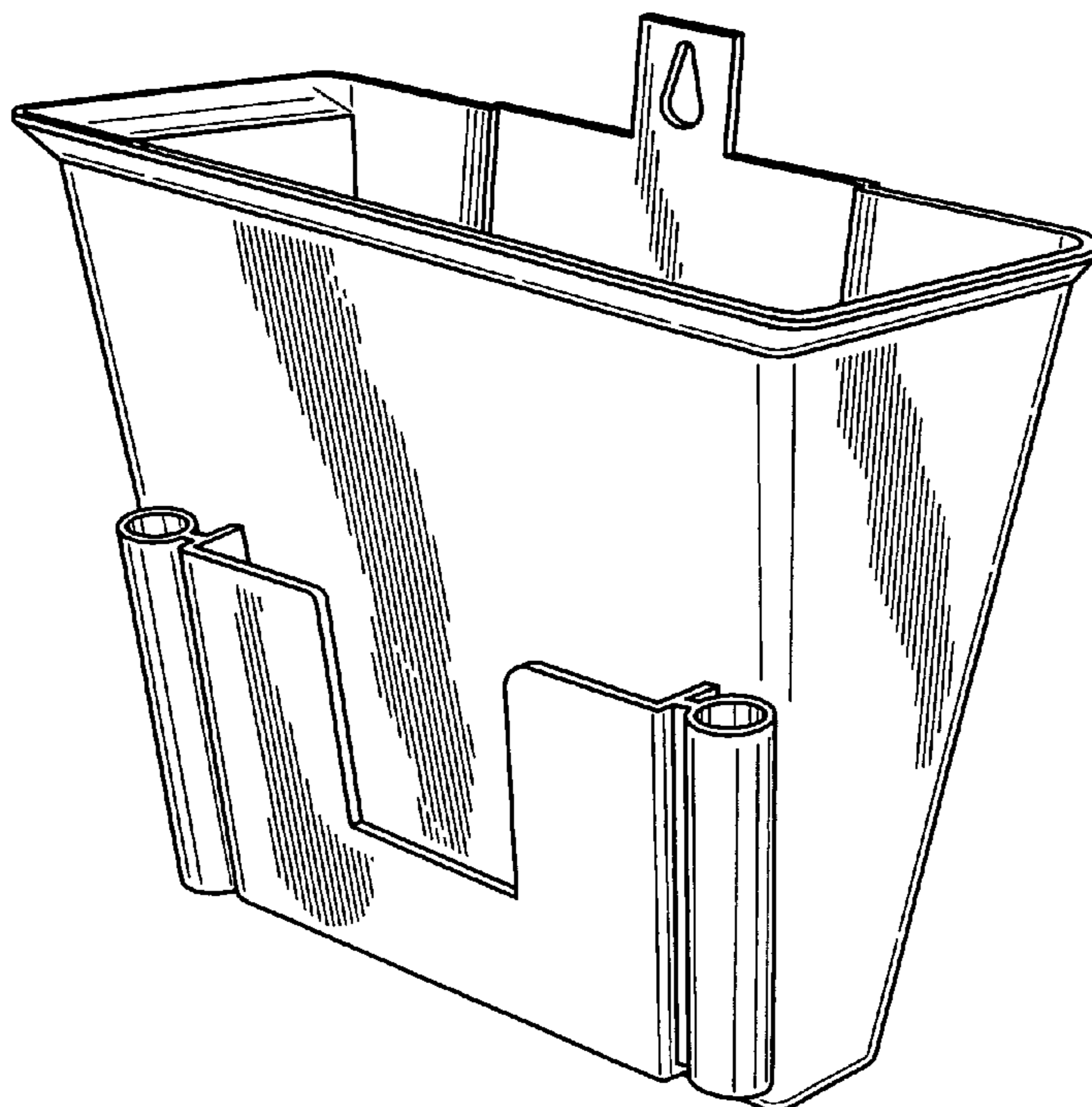
FIG. 4. Is a rear elevational view of the magnetic storage device.

FIG. 5 is a bottom plan view of the magnetic storage device.

FIG. 6 is a left side elevational view of the magnetic storage device; and,

FIG. 7 is a right side elevational view of the magnetic storage device.

1 Claim, 4 Drawing Sheets



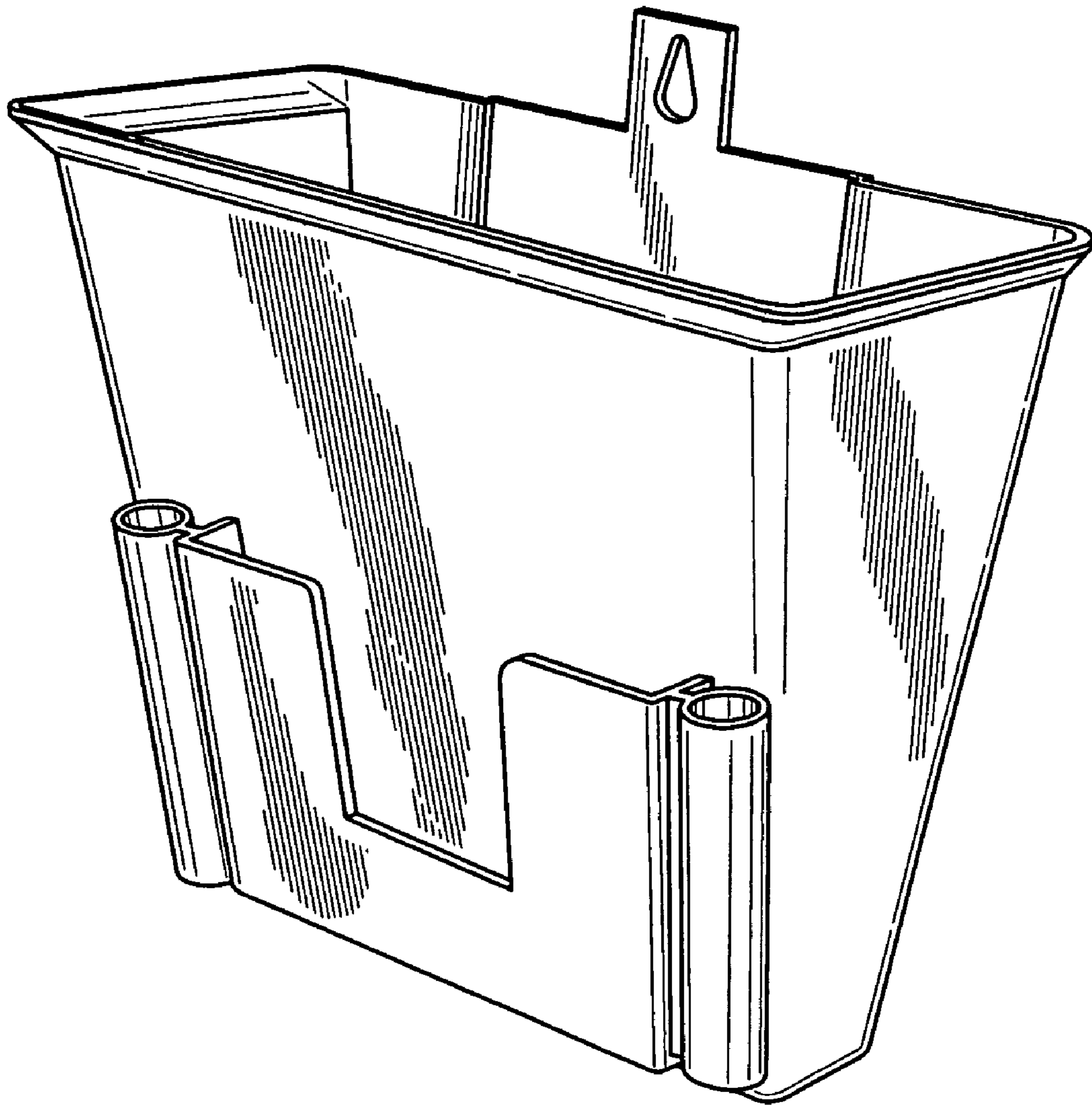


FIG. 1

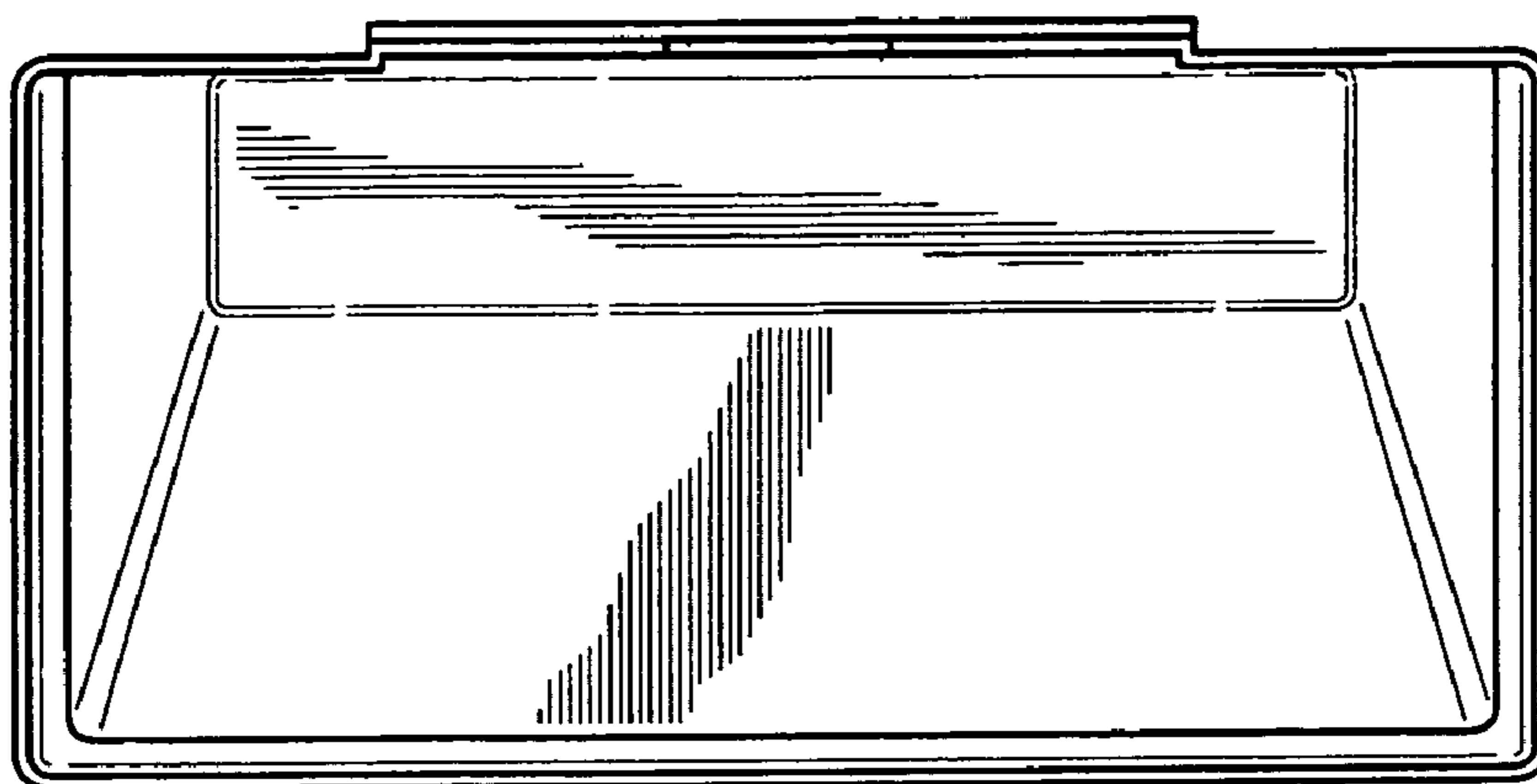


FIG. 3

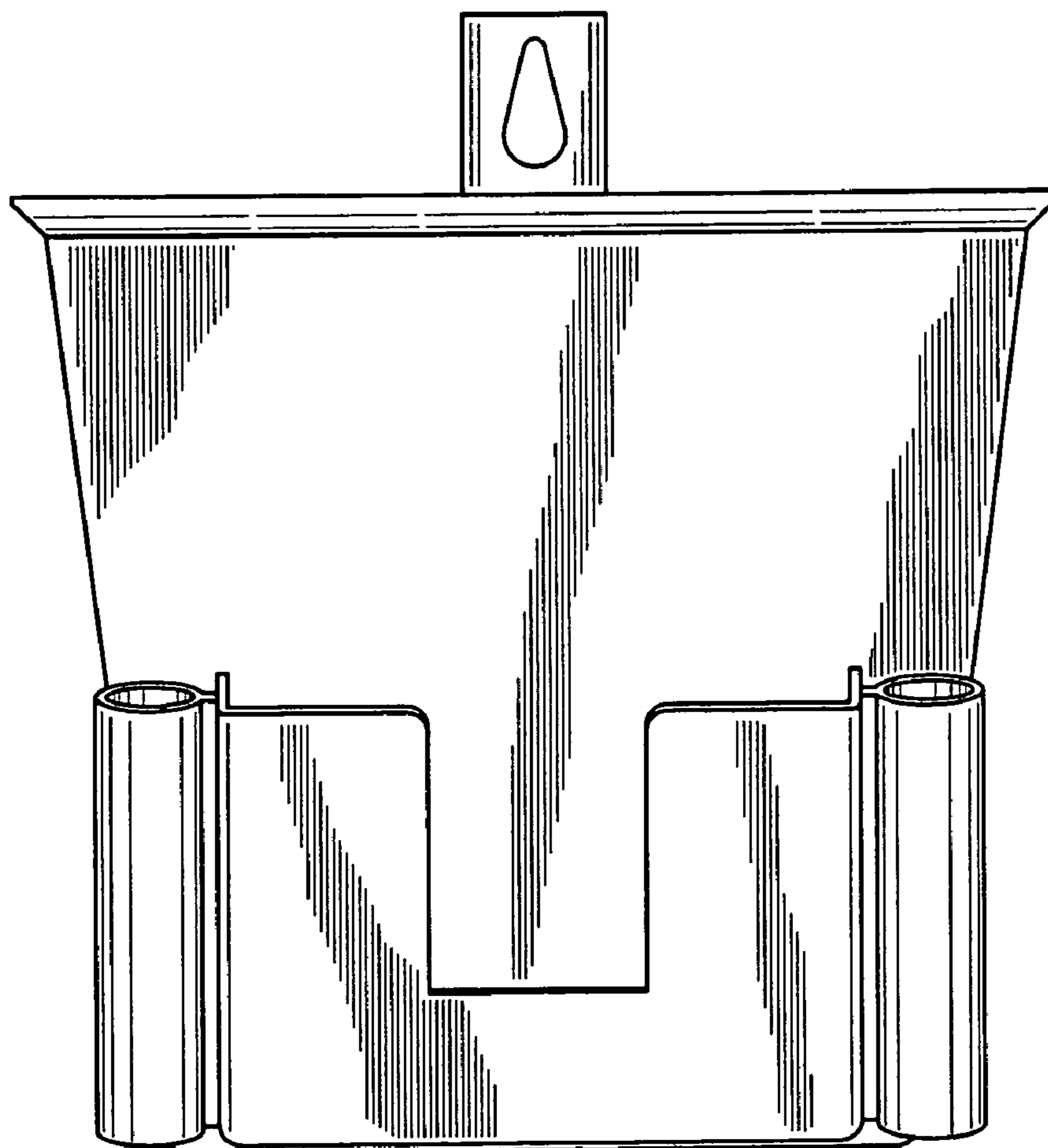


FIG. 2

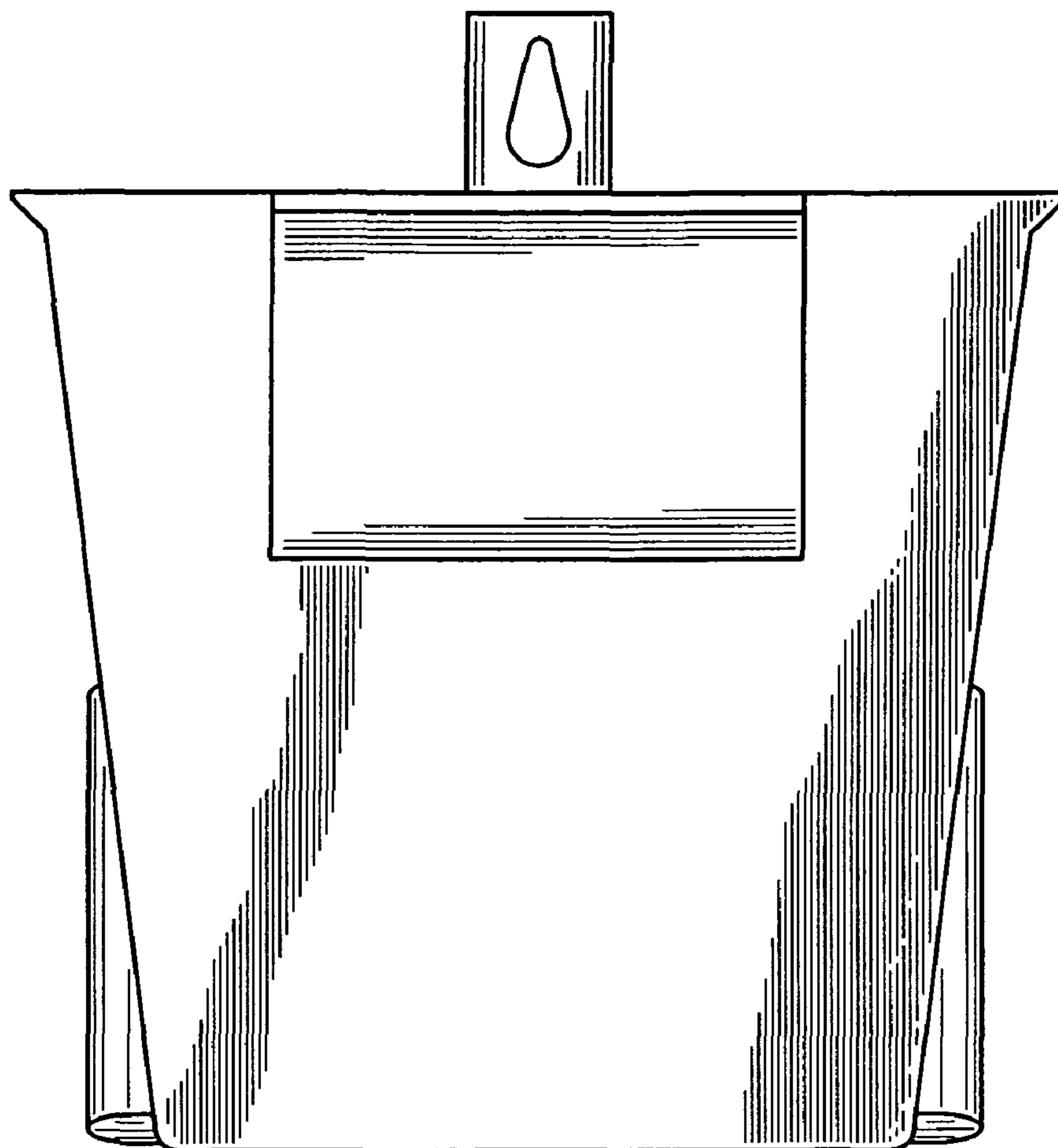


FIG. 4

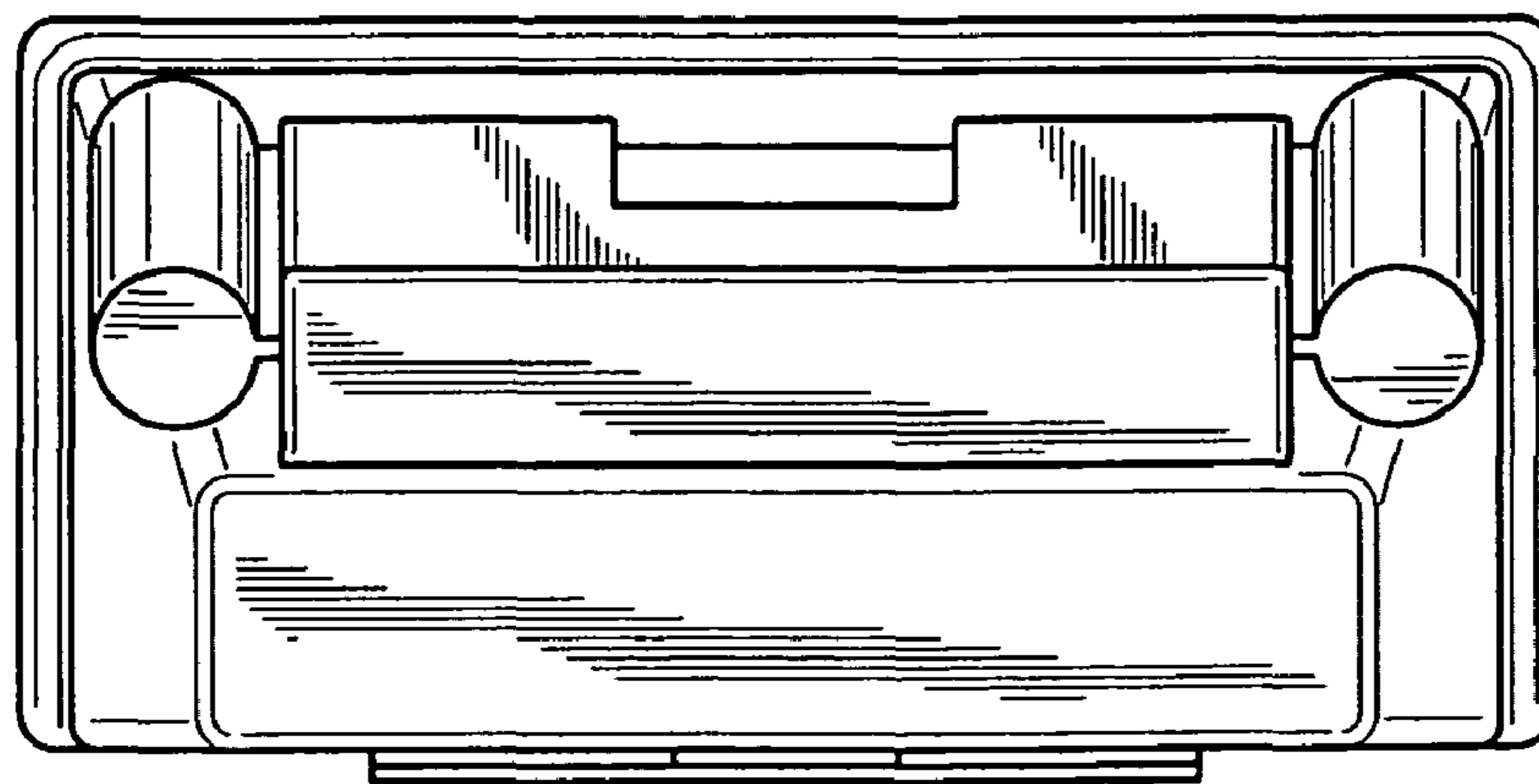


FIG. 5

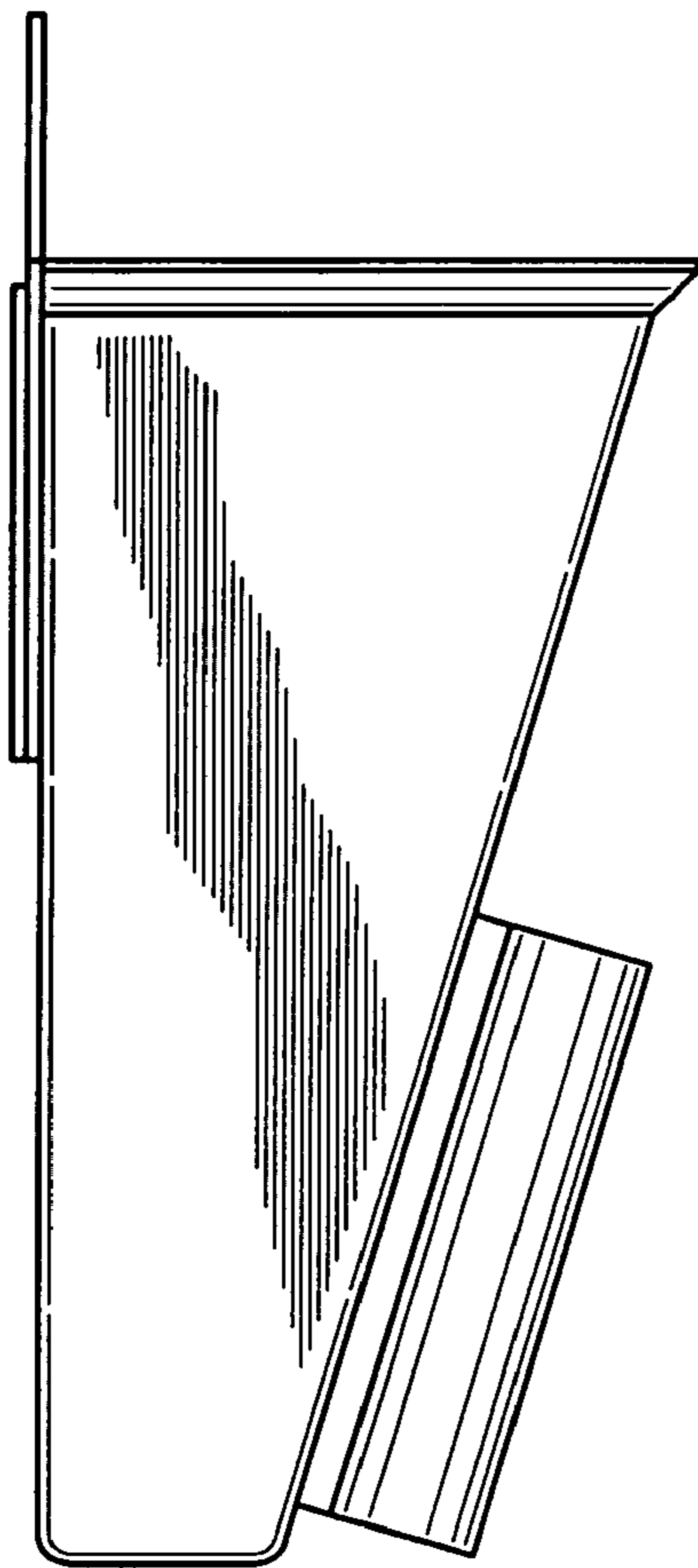


FIG. 6

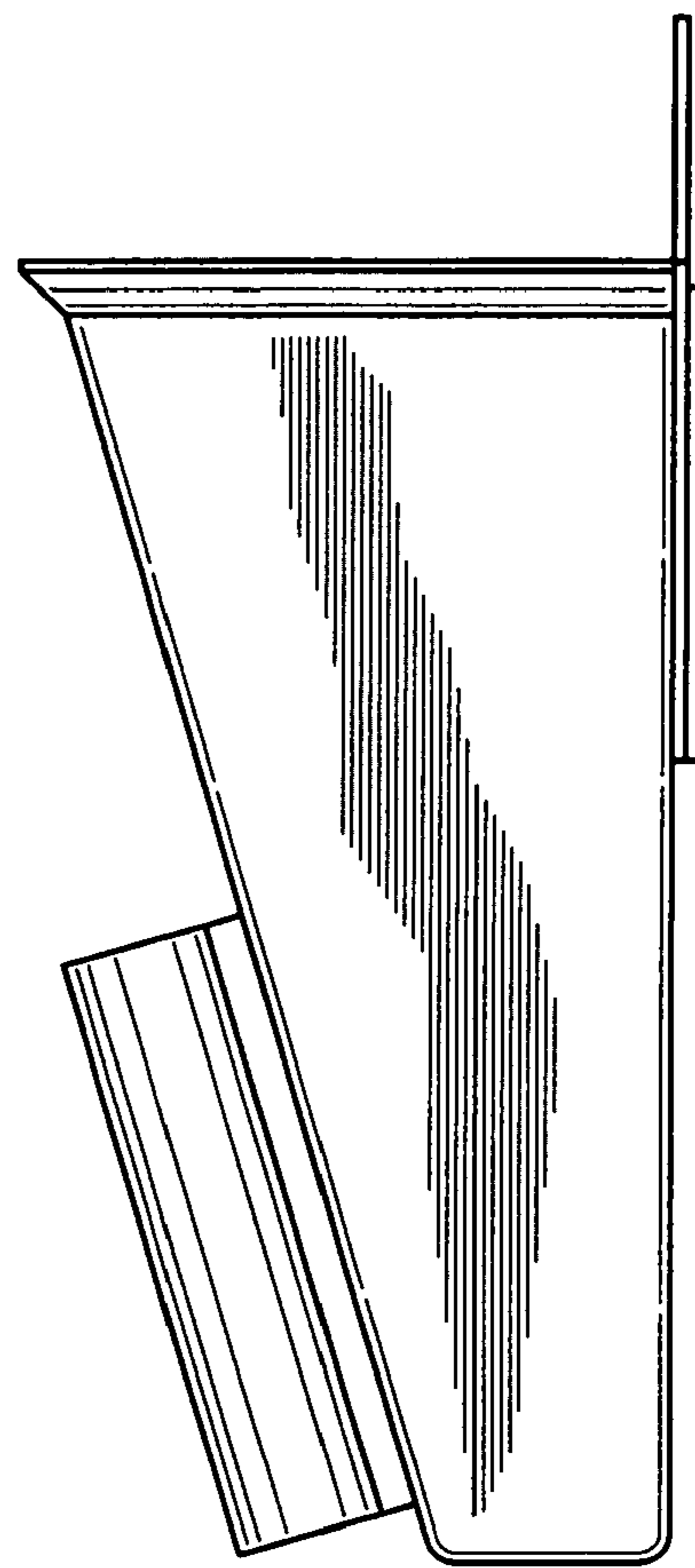


FIG. 7