

US00D667632S

(12) **United States Design Patent**
Goodman et al.

(10) **Patent No.:** **US D667,632 S**
(45) **Date of Patent:** **** Sep. 25, 2012**

(54) **BASKET**

(75) Inventors: **Sheldon H. Goodman**, Solon, OH (US);
Phaysouk Xayoiphonh, Akron, OH
(US); **Grace Lee**, Mayfield, OH (US)

(73) Assignee: **Spectrum Diversified Designs, Inc.**,
Streetsboro, OH (US)

(**) Term: **14 Years**

(21) Appl. No.: **29/422,681**

(22) Filed: **May 23, 2012**

(51) **LOC (9) Cl.** **03-01**

(52) **U.S. Cl.** **D3/306**

(58) **Field of Classification Search** D3/201,
D3/304, 306-309, 315; D19/90-91; D6/566-567;
220/485, 488; 211/13.1, 41.3, 41.4, 86.01,
211/88.01, 134, 126.1, 181.1
See application file for complete search history.

(56) **References Cited**

U.S. PATENT DOCUMENTS

D276,281 S	*	11/1984	Landgren	D3/309
D290,179 S	*	6/1987	Peltola	D3/309
D341,463 S	*	11/1993	Booth	D3/306
D405,268 S	*	2/1999	Apenes	D3/309

D451,280 S	*	12/2001	Snell	D3/309
D464,199 S	*	10/2002	Lacy et al.	D3/306
D474,603 S	*	5/2003	Berenguer	D3/307
D517,806 S	*	3/2006	Charuwongkhachton	D3/305
D583,563 S	*	12/2008	Snider	D3/306
D608,066 S	*	1/2010	Pearl et al.	D32/53
D611,709 S	*	3/2010	Ceravolo	D3/304
D624,754 S	*	10/2010	van Wijk et al.	D3/308
D626,909 S	*	11/2010	Chen	D12/407
D636,999 S	*	5/2011	Goodman et al.	D3/306
D662,321 S	*	6/2012	Perez-Segarra	D3/309
D662,322 S	*	6/2012	Perez-Segarra	D3/309

* cited by examiner

Primary Examiner — Kelley Donnelly

(74) *Attorney, Agent, or Firm* — Pearne & Gordon LLP

(57) **CLAIM**

The ornamental design for a basket, as shown and described.

DESCRIPTION

FIG. 1 is a perspective view of a basket showing our new design;

FIG. 2 is a front elevational view thereof;

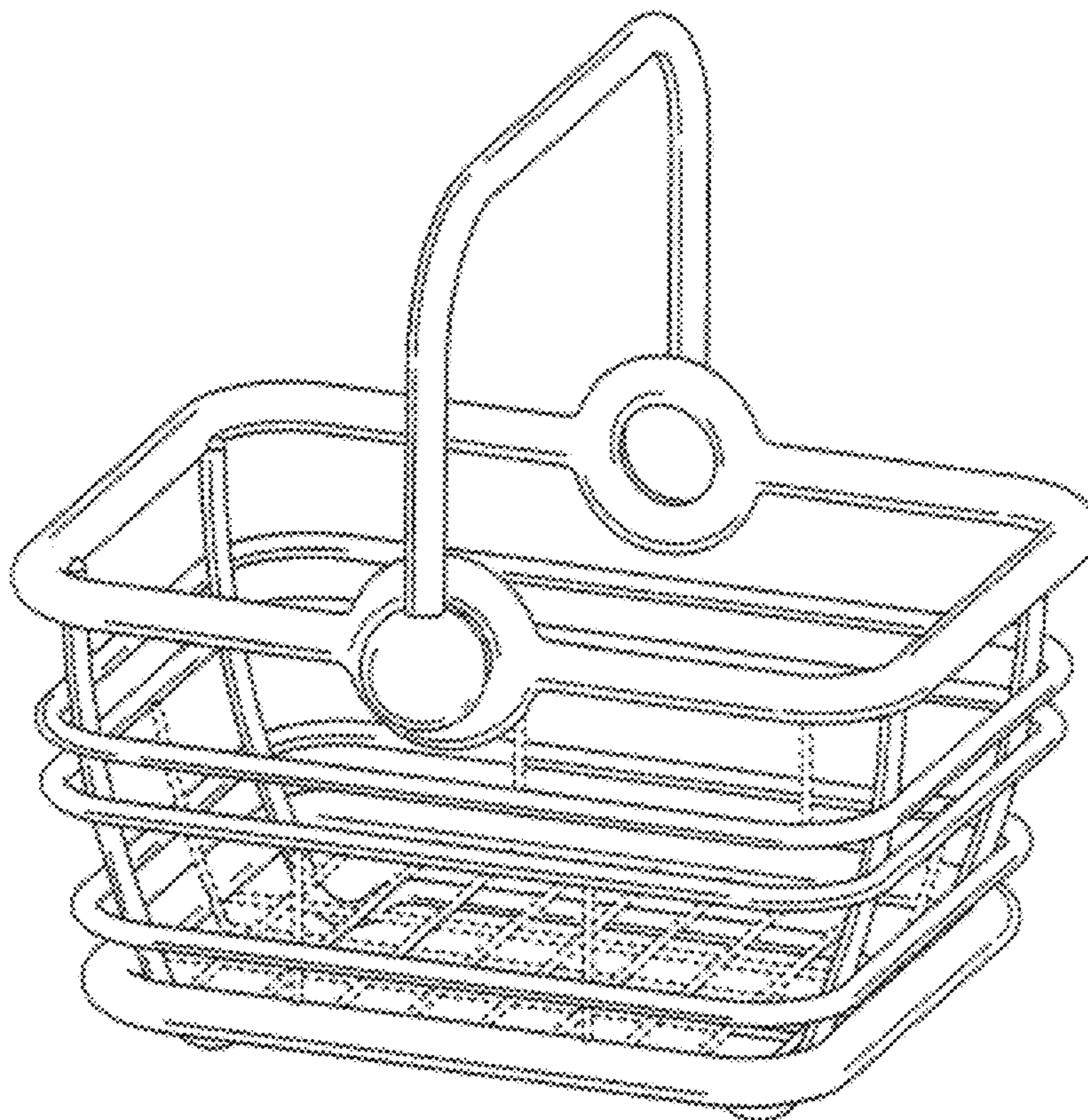
FIG. 3 is a side elevational view thereof;

FIG. 4 is a top plan view thereof; and,

FIG. 5 is a bottom plan view thereof.

The dotted-line showing in the drawings illustrates environmental matter and forms no part of the claimed design.

1 Claim, 3 Drawing Sheets



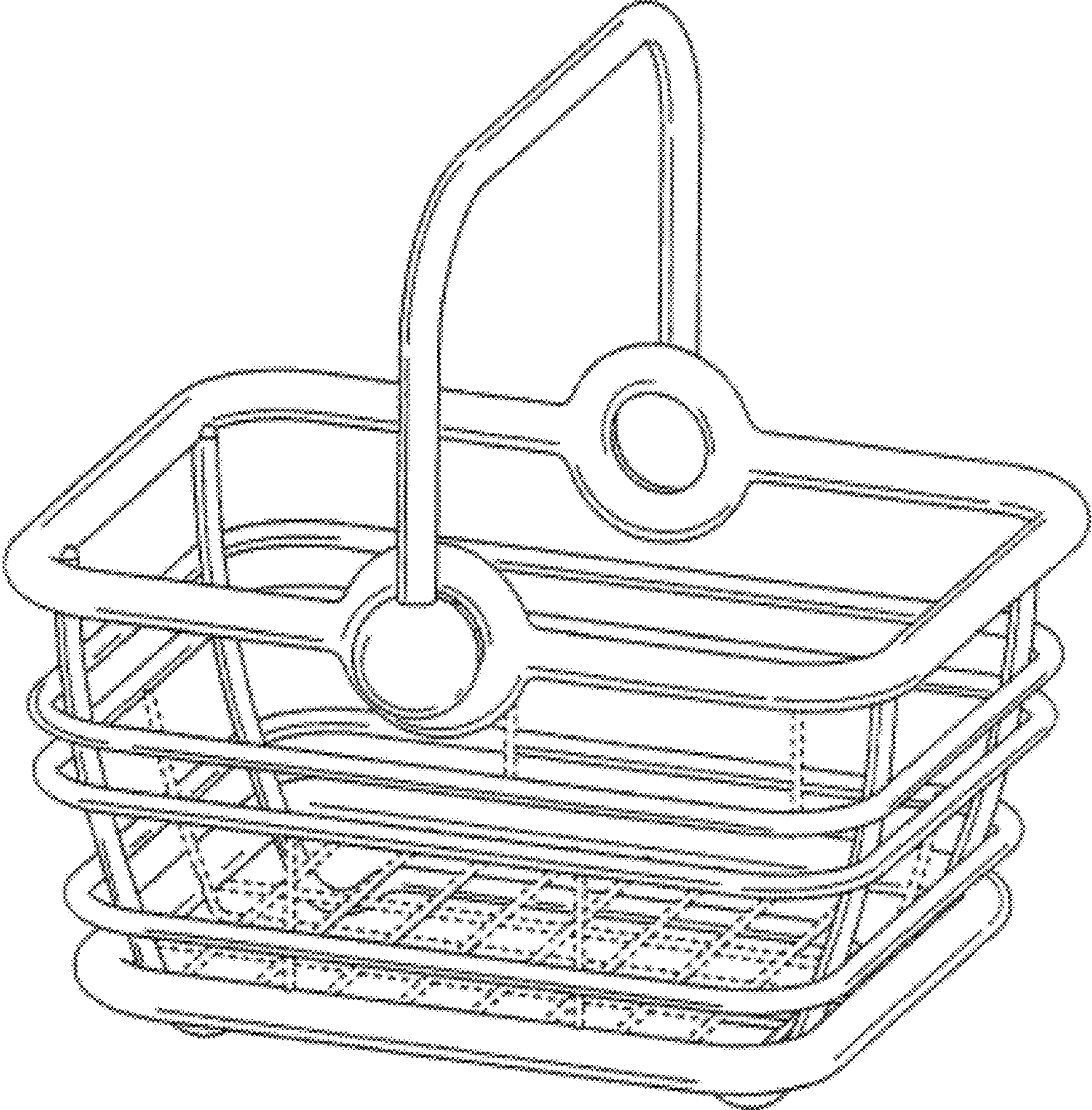


FIG 1

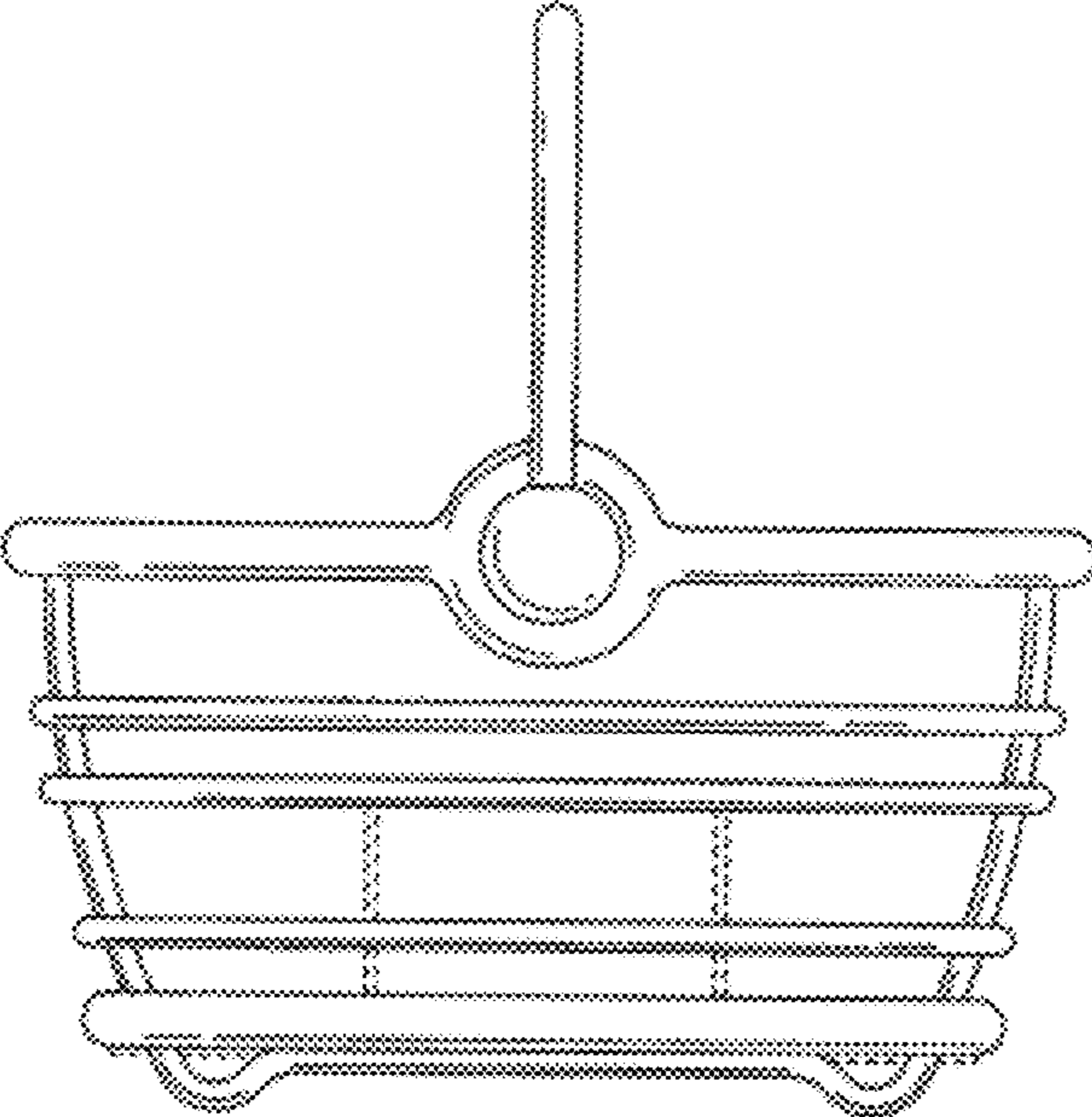


FIG 2

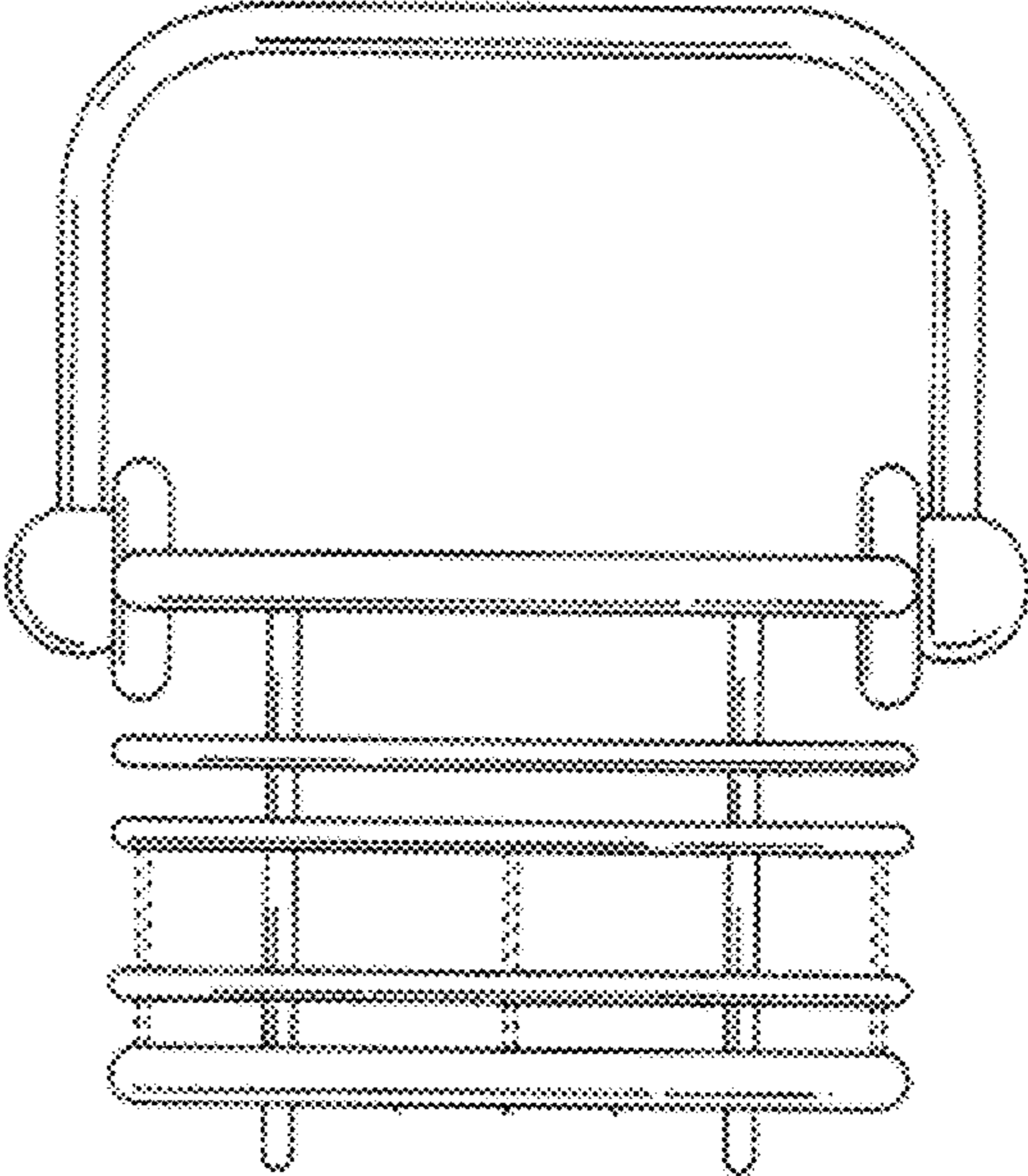


FIG 3

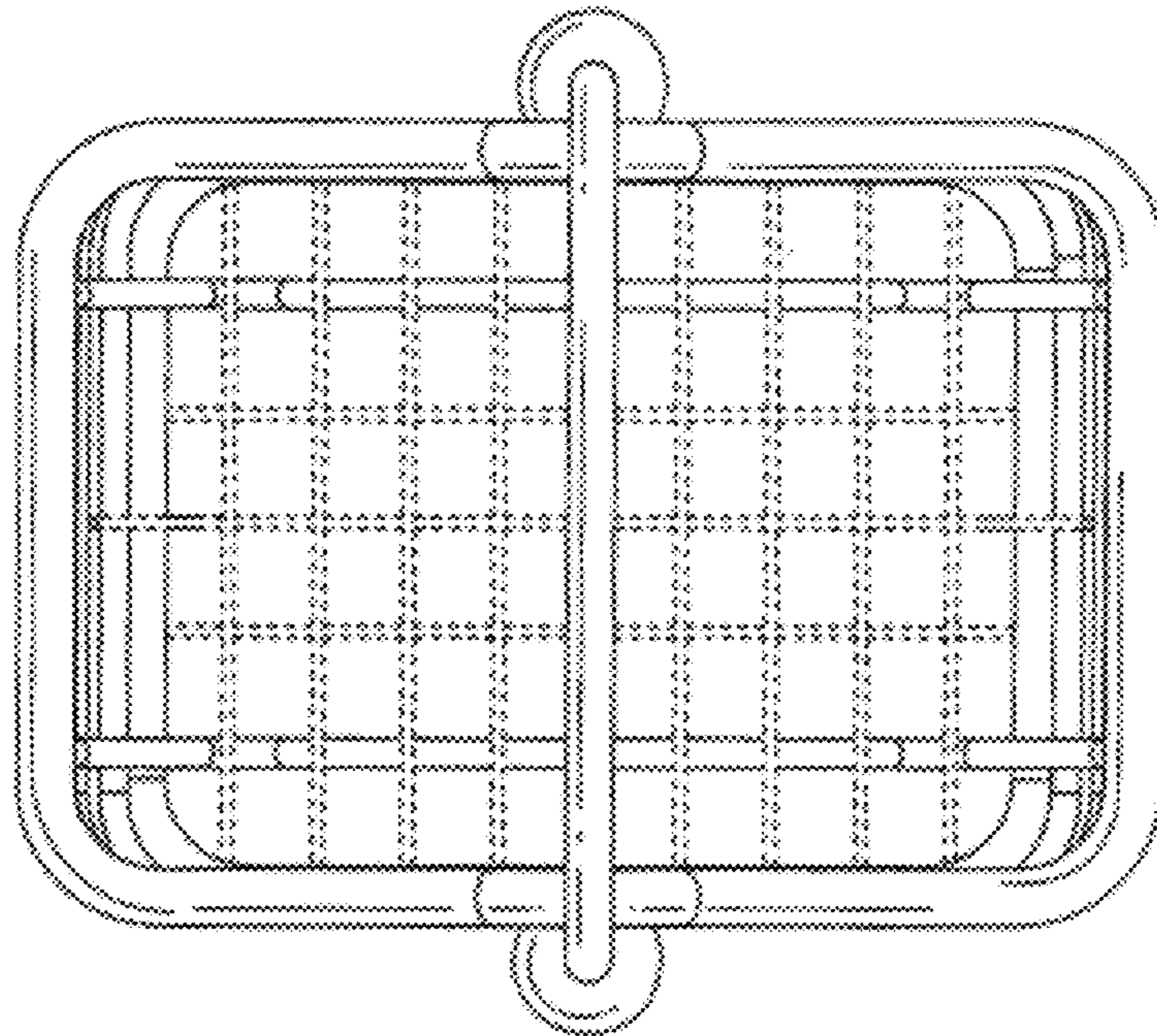


FIG 4

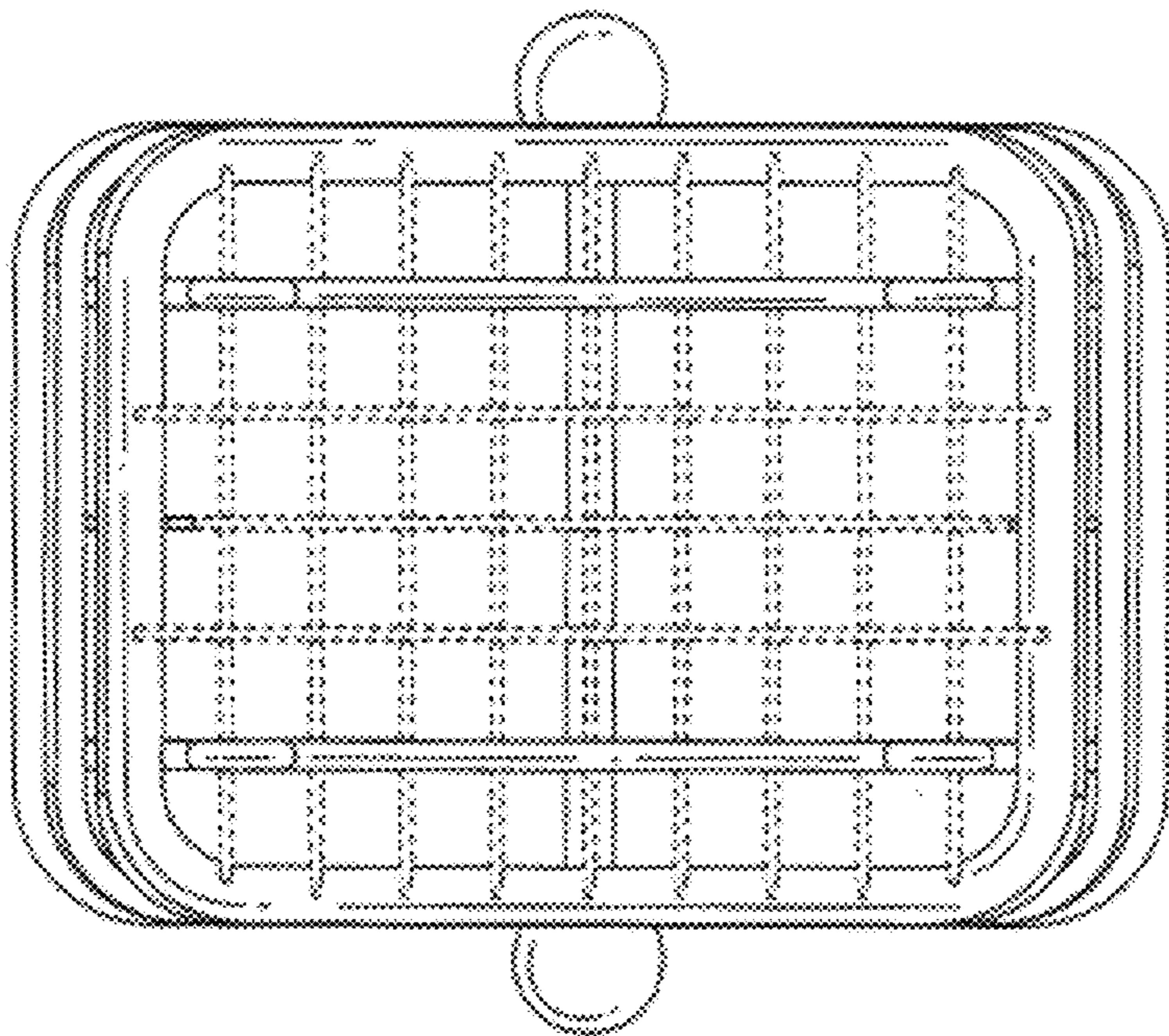


FIG 5