



US00D667619S

(12) **United States Design Patent**
Blakeslee

(10) **Patent No.:** **US D667,619 S**

(45) **Date of Patent:** **** Sep. 25, 2012**

(54) **FOOTWEAR**

(75) Inventor: **Carl Blakeslee**, Portland, OR (US)

(73) Assignee: **Sorel Corporation**, Portland, OR (US)

(**) Term: **14 Years**

(21) Appl. No.: **29/377,493**

(22) Filed: **Oct. 21, 2010**

(51) **LOC (9) Cl.** **02-04**

(52) **U.S. Cl.** **D2/960; D2/951**

(58) **Field of Classification Search** D2/902,
D2/906, 908, 916, 918, 925, 946, 947, 950-962,
D2/977; 36/3 B, 22 R, 24.5, 25 R, 28, 32 R,
36/34 R, 59 C, 67 A, 103

See application file for complete search history.

(56) **References Cited**

U.S. PATENT DOCUMENTS

472,214	A *	4/1892	Hall	36/7.7
D163,071	S *	4/1951	Schrage	D2/960
2,930,149	A *	3/1960	Hack et al.	36/28
2,941,316	A *	6/1960	Hack	36/59 C
D190,162	S *	4/1961	Hubbard	D2/960
3,444,632	A *	5/1969	Hack et al.	36/32 R
3,947,979	A *	4/1976	Sidles	36/32 R
D268,221	S *	3/1983	Argyropoulos	D2/950
D268,299	S *	3/1983	Argyropoulos	D2/960
D278,571	S *	4/1985	Eber	D2/916
4,569,142	A *	2/1986	Askinasi	36/134
D283,079	S *	3/1986	Michaeli	D2/955
D283,080	S *	3/1986	Michaeli	D2/955
D288,261	S *	2/1987	Palacio	D2/908
D294,537	S *	3/1988	Le	D2/960
4,742,625	A *	5/1988	Sydor et al.	36/3 R
D368,576	S *	4/1996	Assous	D2/931
D388,241	S *	12/1997	Merceron	D2/959
6,092,309	A *	7/2000	Edwards	36/29
D435,334	S *	12/2000	Wilson	D2/960
D473,041	S *	4/2003	Finkelberg	D2/960
D490,225	S *	5/2004	McClaskie	D2/960

D492,840	S *	7/2004	Hearn	D2/923
D503,028	S *	3/2005	Merceron	D2/953
D514,288	S *	2/2006	Burg	D2/960
D552,831	S *	10/2007	Cunningham	D2/897
D558,959	S *	1/2008	Kalinsky	D2/916
D559,508	S *	1/2008	Cintron	D2/953
D569,094	S *	5/2008	Morgan et al.	D2/977
D593,742	S *	6/2009	Issler	D2/960
D606,292	S *	12/2009	Ong	D2/947
D624,294	S *	9/2010	Skovgaard	D2/960
D626,728	S *	11/2010	Tzenos et al.	D2/896
D634,527	S *	3/2011	Butler	D2/954
D637,804	S *	5/2011	Blakeslee	D2/970
D638,212	S *	5/2011	Blakeslee	D2/970
D638,214	S *	5/2011	Blakeslee	D2/970
D638,618	S *	5/2011	Blakeslee	D2/970
D639,033	S *	6/2011	Blakeslee	D2/912
D649,753	S *	12/2011	Callahan et al.	D2/953
D649,754	S *	12/2011	Callahan et al.	D2/953
2009/0282700	A1 *	11/2009	Dillon et al.	36/88
2011/0016746	A1 *	1/2011	Callahan et al.	36/28
2011/0016749	A1 *	1/2011	Callahan et al.	36/103
2011/0232130	A1 *	9/2011	Boudreau et al.	36/88

* cited by examiner

Primary Examiner — T. Chase Nelson

(74) *Attorney, Agent, or Firm* — Schwabe, Williamson & Wyatt, P.C.

(57) **CLAIM**

The ornamental design for footwear, as shown and described.

DESCRIPTION

FIG. 1 is a perspective view of footwear showing the claimed design, wherein the dashed lines in this and the following views denote unclaimed environment;

FIG. 2 is a top view thereof;

FIG. 3 is a left side view thereof;

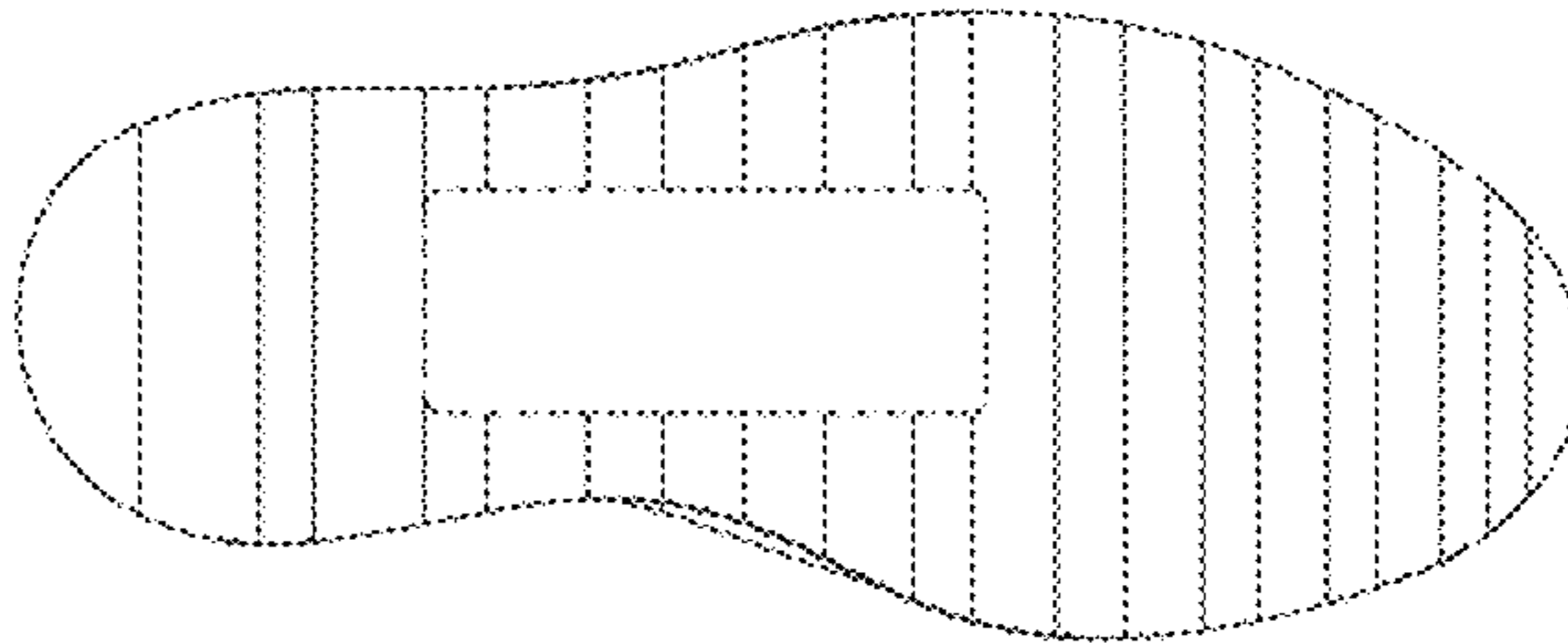
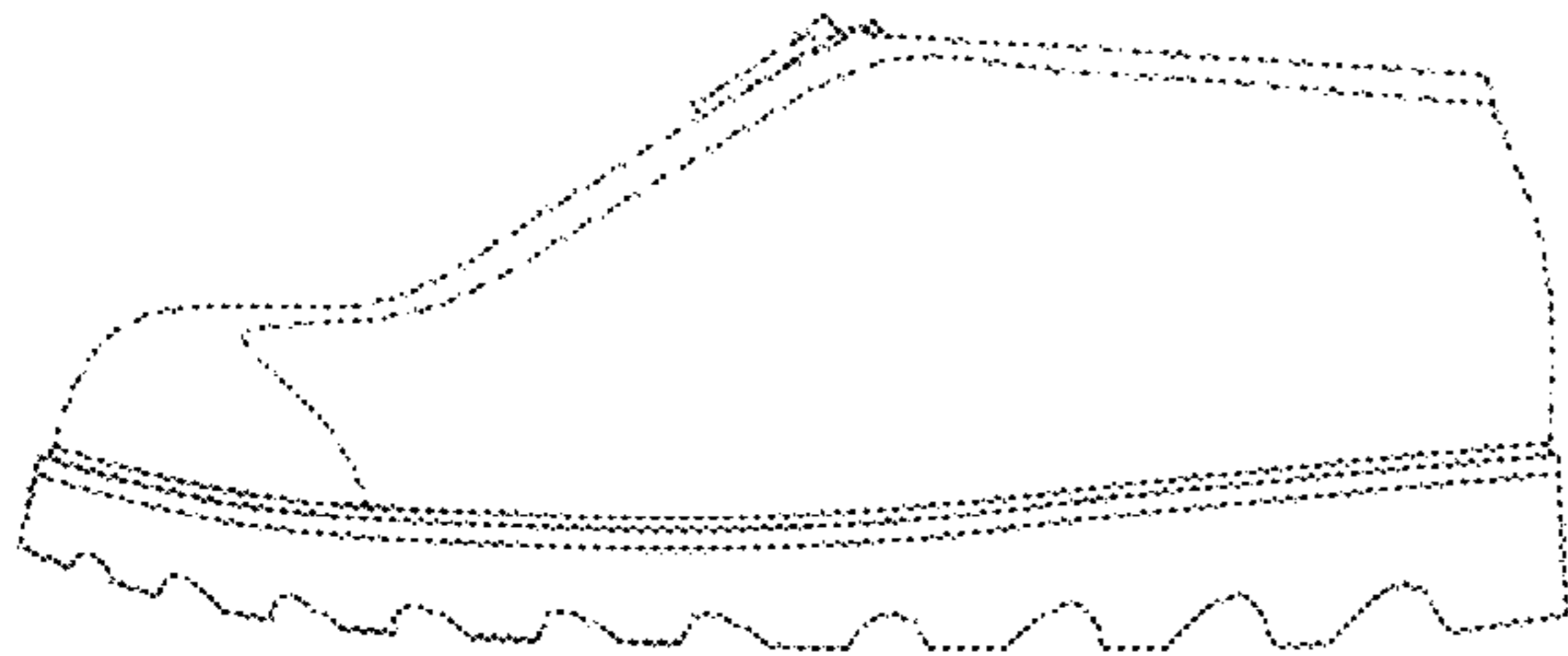
FIG. 4 is a front view thereof;

FIG. 5 is a right side view thereof;

FIG. 6 is a bottom view thereof; and,

FIG. 7 is a back view thereof.

1 Claim, 4 Drawing Sheets



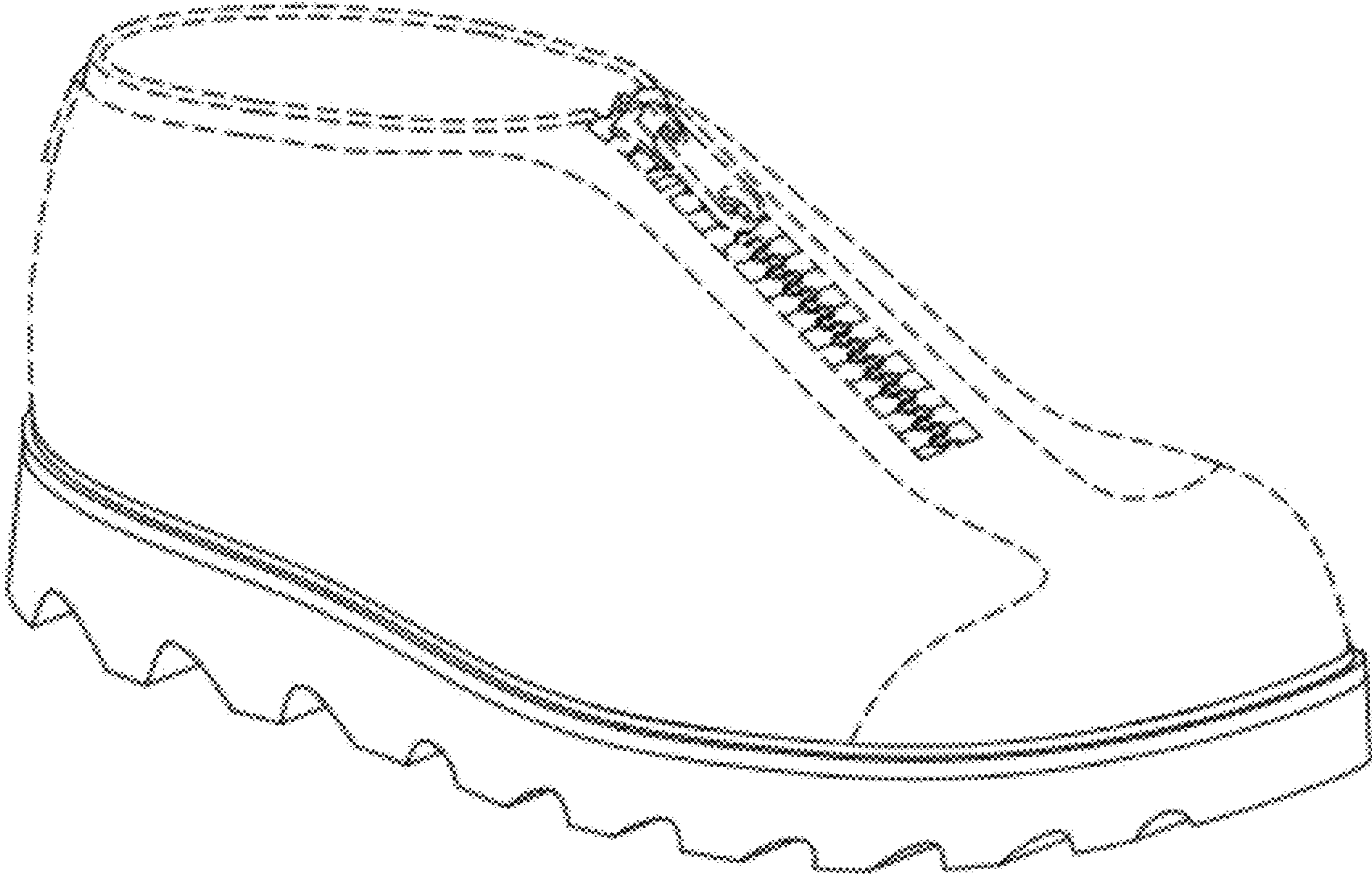


FIG. 1

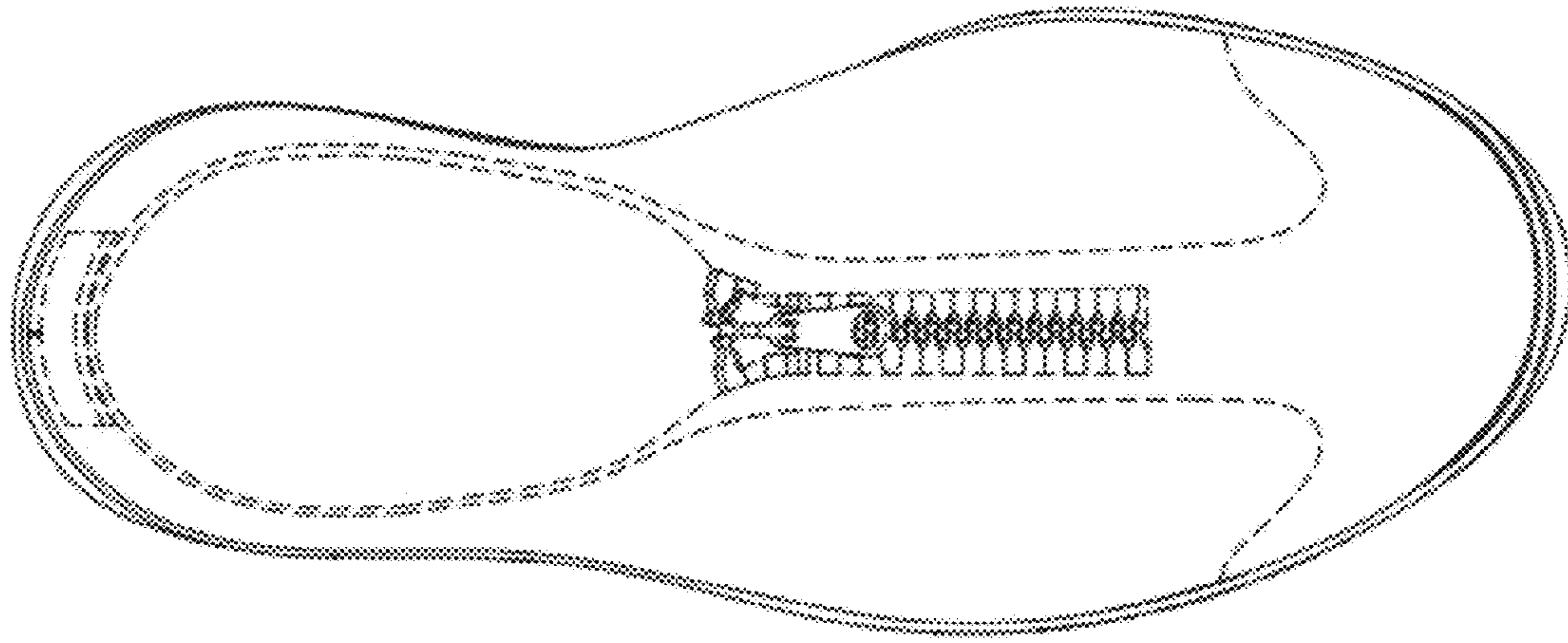


FIG. 2

FIG. 3

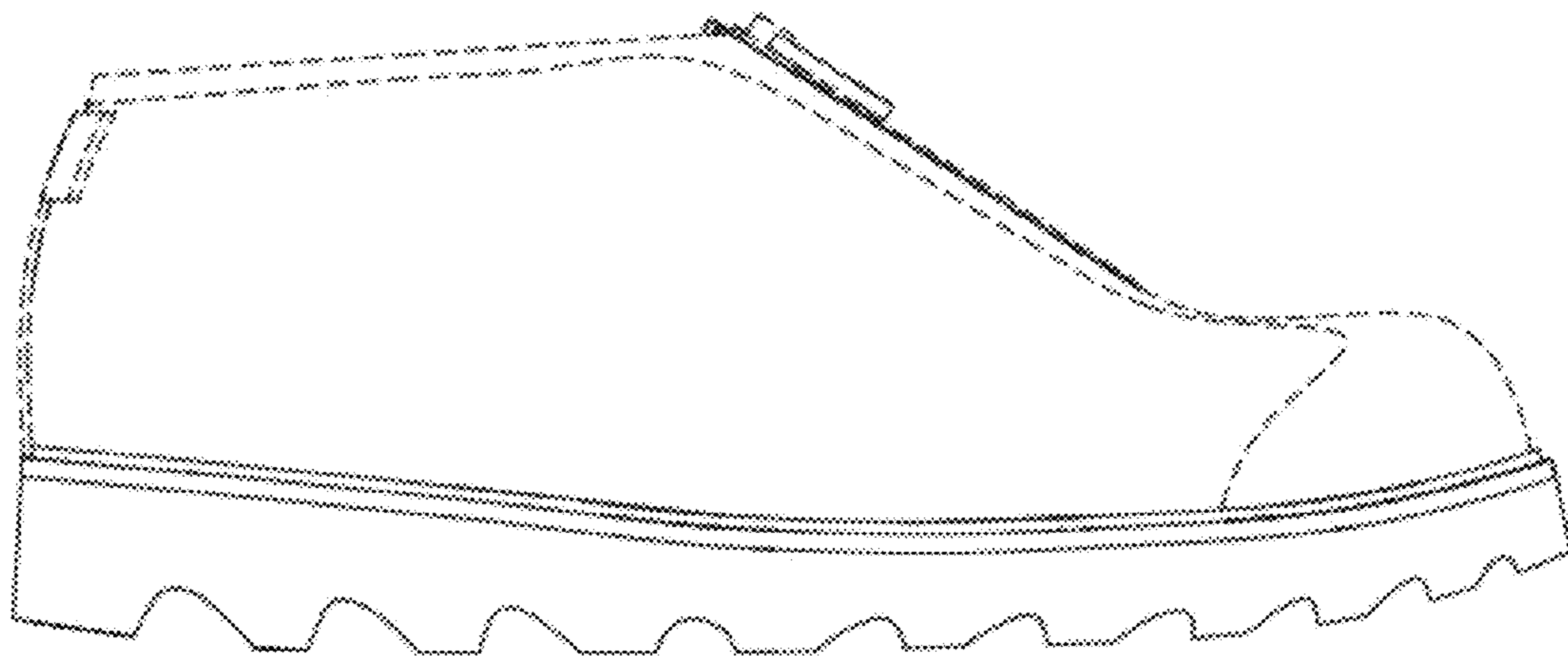


FIG. 4

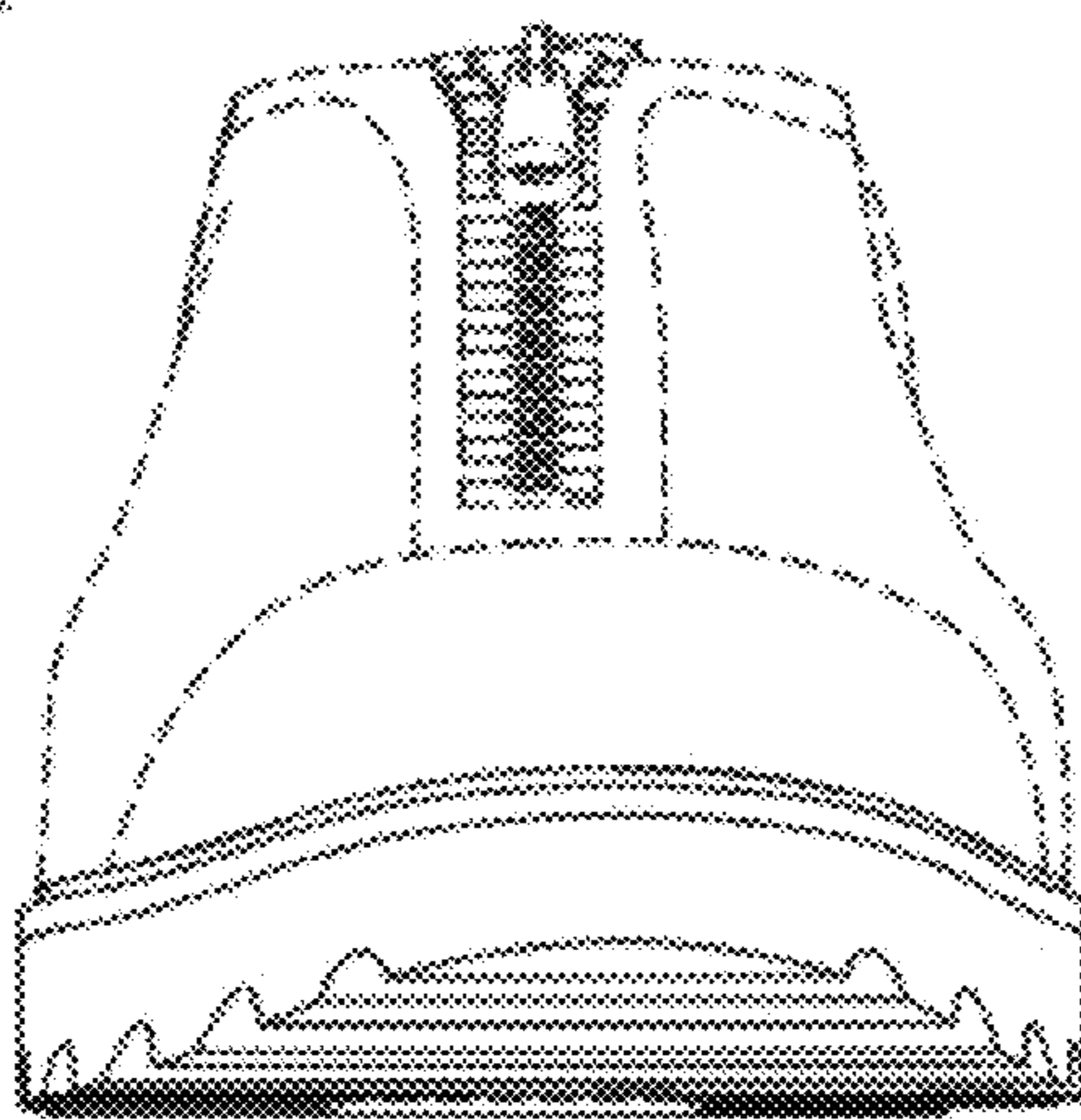
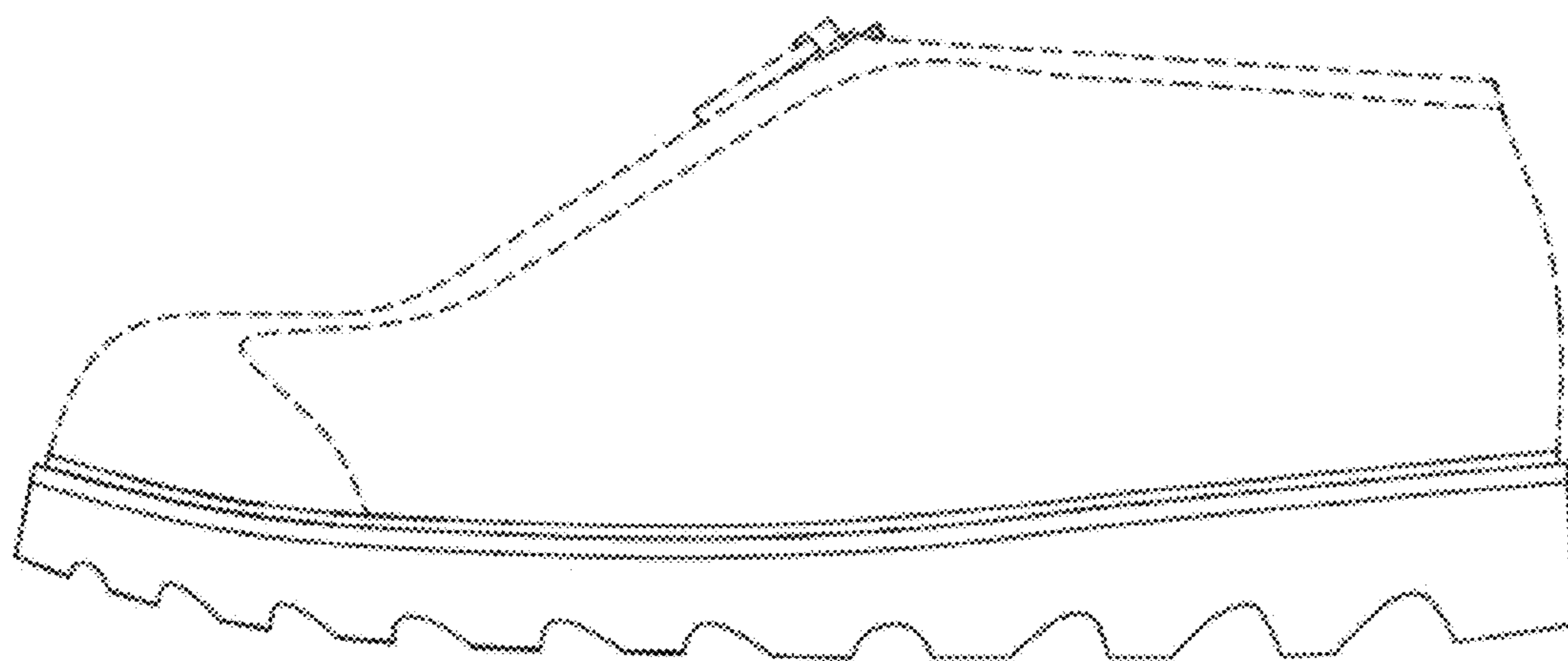


FIG. 5



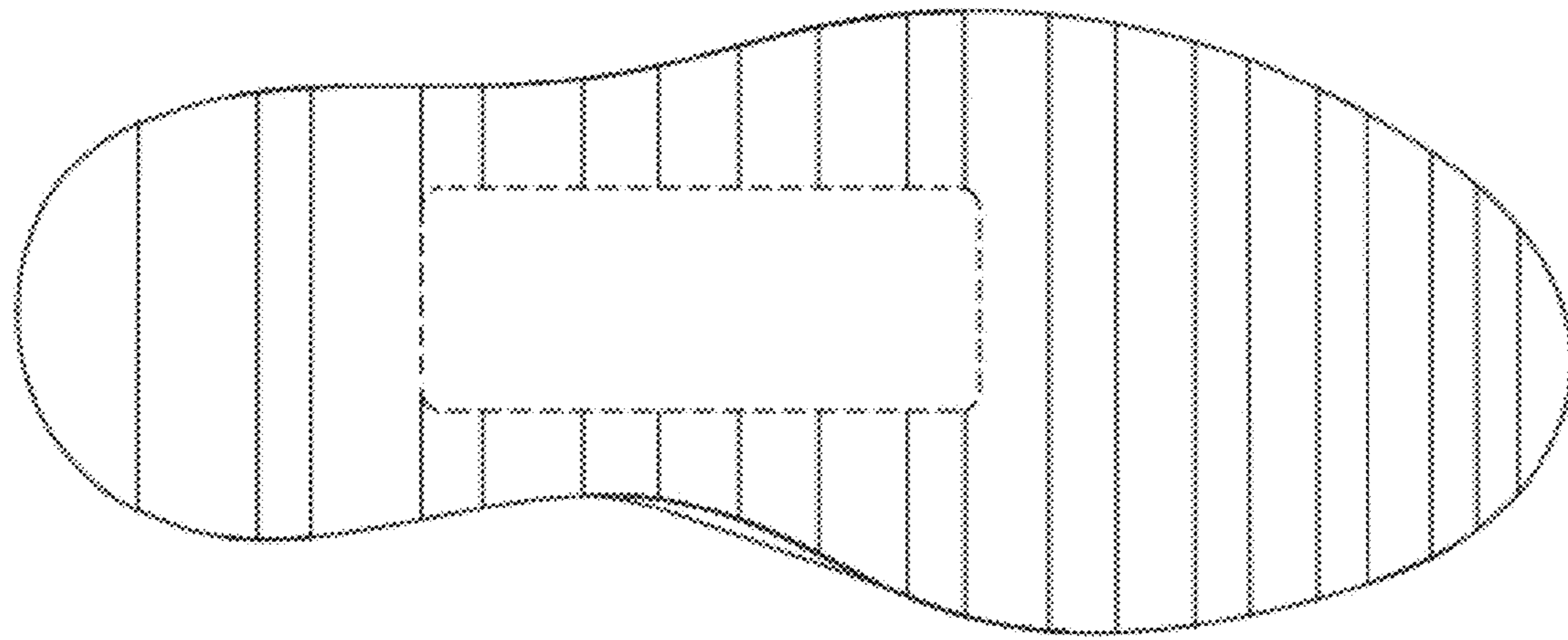


FIG. 6

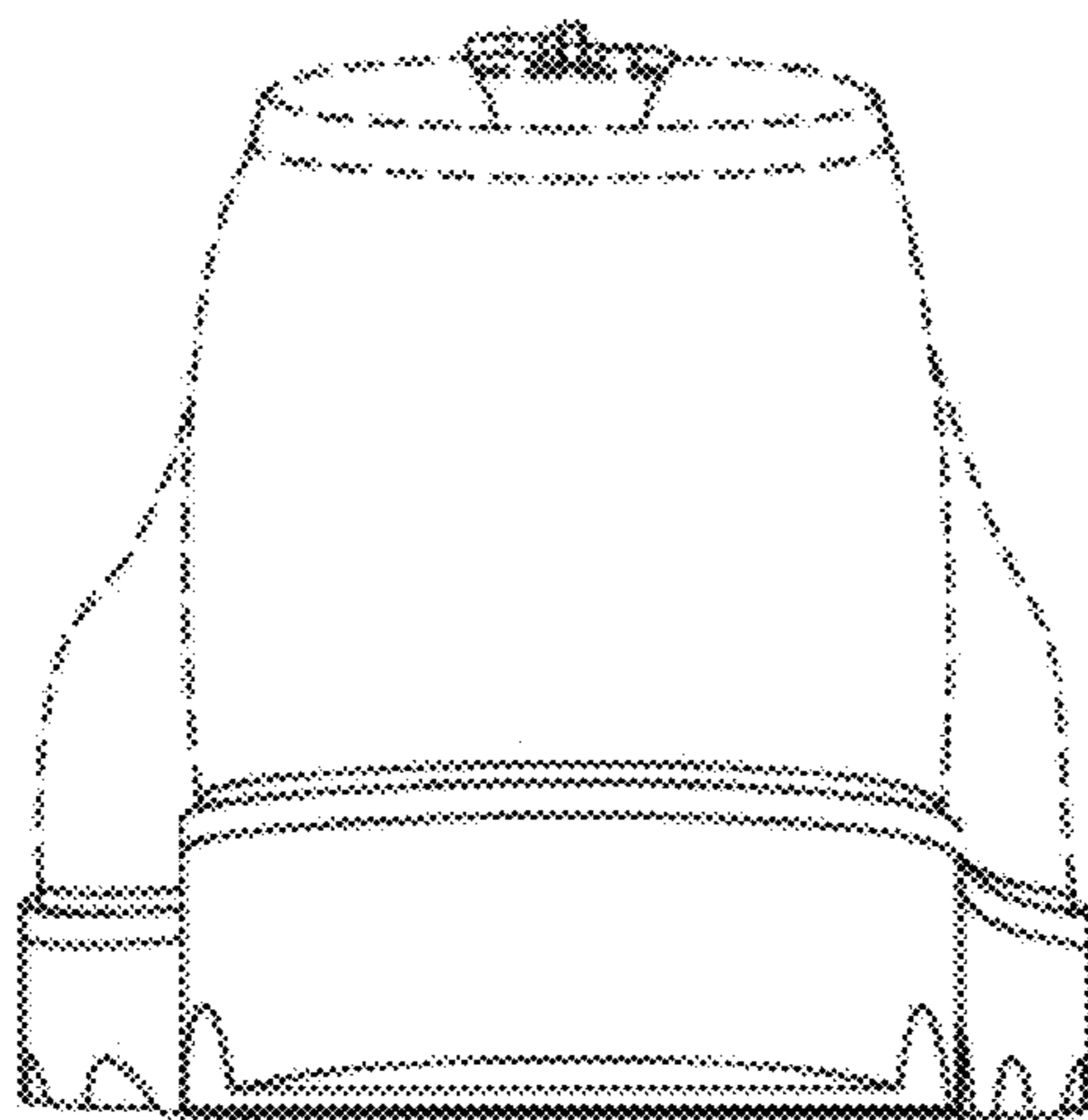


FIG. 7