



US00D667605S

(12) **United States Design Patent**
Hollinger

(10) **Patent No.:** **US D667,605 S**
(45) **Date of Patent:** **** Sep. 18, 2012**

- (54) **COIN BANK AND VALET**
 - (75) Inventor: **Fred Hollinger**, Monroe Township, NJ (US)
 - (73) Assignee: **E&B Giftware, LLC**, Yonkers, NY (US)
 - (**) Term: **14 Years**
 - (21) Appl. No.: **29/392,504**
 - (22) Filed: **May 23, 2011**
 - (51) **LOC (9) Cl.** **99-00**
 - (52) **U.S. Cl.** **D99/36**
 - (58) **Field of Classification Search** D99/28, D99/34, 35, 36, 99; D3/304; D7/500, 505, D7/550.1, 553.1, 553.2; D18/3.1, 3.2, 3.3, D18/12.1; 232/1 D, 55, 64; 206/0.8, 0.81, 206/0.815, 0.83, 0.84; 53/212, 213; 453/3, 453/58, 61, 63
- See application file for complete search history.

- 3,338,250 A * 8/1967 Mehelich 453/9
 - 3,610,177 A * 10/1971 Shapiro 109/50
 - D256,511 S * 8/1980 Atkin D99/35
 - D296,029 S * 5/1988 Knox D99/35
 - D299,482 S * 1/1989 Pearson D7/620
 - D304,644 S * 11/1989 Silcox D99/36
 - D354,831 S * 1/1995 Anderson D99/35
 - D432,755 S * 10/2000 Perkitny et al. D99/34
 - D436,427 S * 1/2001 Grendahl D99/35
 - D441,172 S * 4/2001 Snyder D99/37
 - D484,669 S * 12/2003 Robinson D99/35
 - D519,166 S * 4/2006 Chuang D21/479
 - D549,425 S * 8/2007 Burns D99/35
 - 7,347,356 B2 * 3/2008 Fields et al. 232/4 R
 - 2004/0124099 A1 * 7/2004 Fields et al. 206/0.815
- * cited by examiner

Primary Examiner — Elizabeth J Oswecki

(57) **CLAIM**
The ornamental design for a coin bank and valet, as shown and described.

DESCRIPTION

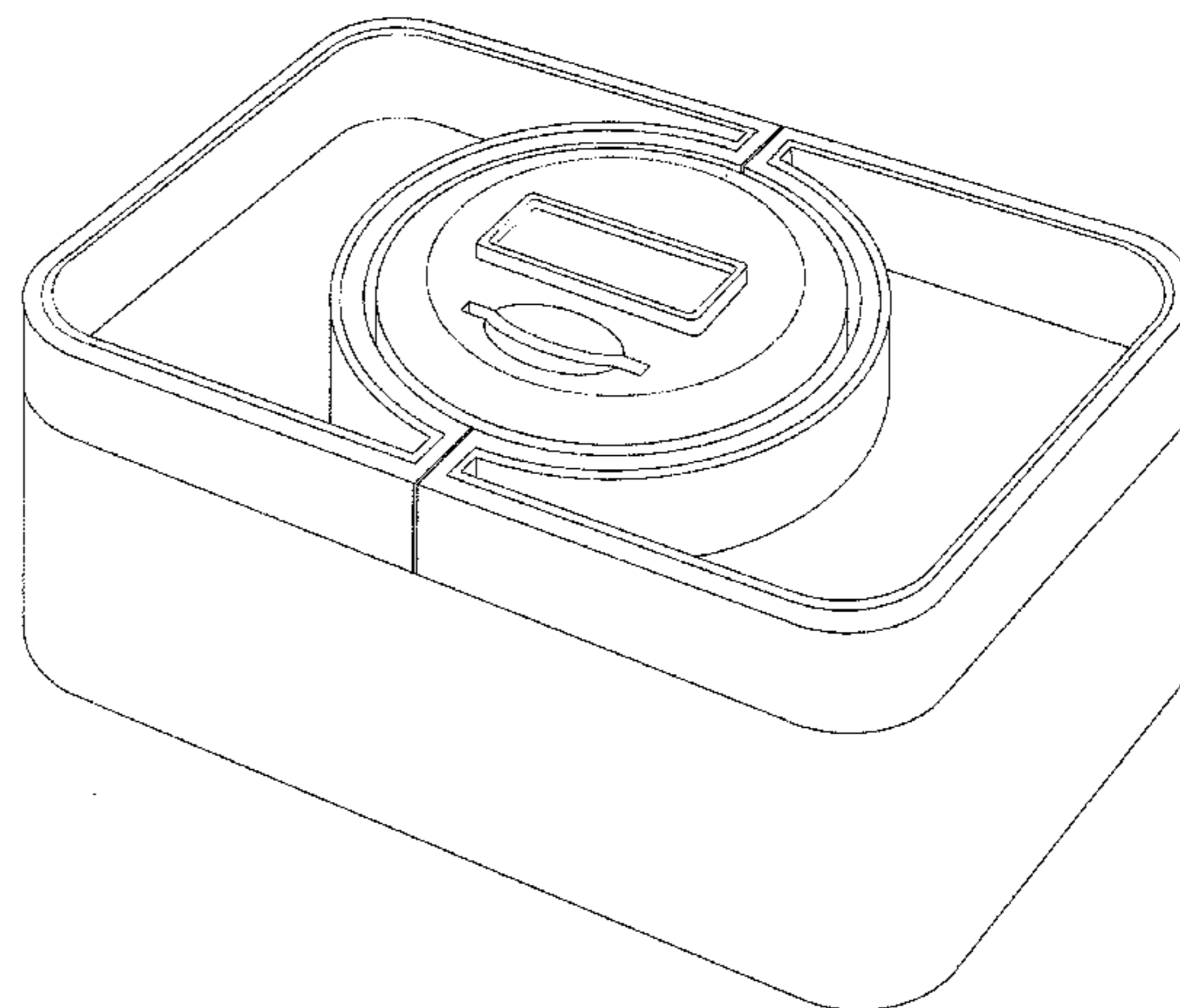
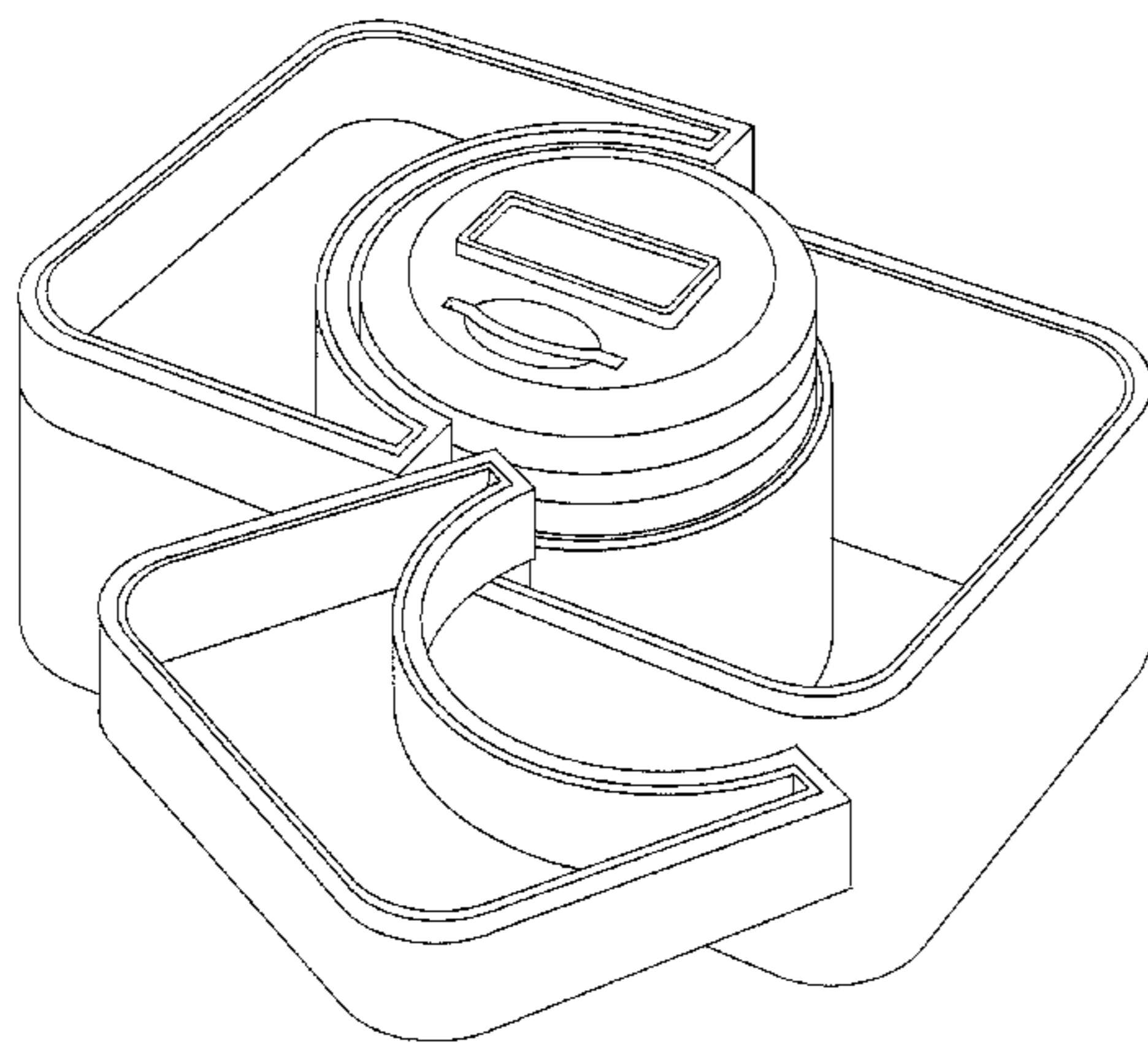
FIG. 1 is a perspective view of a coin bank and valet, in an open position showing my new design;
FIG. 2 is a perspective view of a coin bank and valet, in a closed position;
FIG. 3 is a top plan view thereof;
FIG. 4 is a bottom plan view thereof;
FIG. 5 is a side view thereof, the opposite side view being identical; and,
FIG. 6 is another side view thereof, the opposite side view being identical.

1 Claim, 6 Drawing Sheets

(56) **References Cited**

U.S. PATENT DOCUMENTS

- 270,937 A * 1/1883 Bowler 417/170
- D51,561 S * 12/1917 Stanton D99/35
- 1,781,920 A * 11/1930 Fisher 232/4 R
- D103,651 S * 3/1937 Zell D99/36
- D108,487 S * 2/1938 Aronson D99/36
- D127,448 S * 5/1941 Cotler D99/35
- D135,541 S * 4/1943 Smith D99/35
- D155,798 S * 11/1949 Gaulke D99/36
- D156,640 S * 12/1949 Love D99/35
- D176,959 S * 2/1956 Leswolski D99/35
- D177,002 S * 3/1956 Barker D99/35



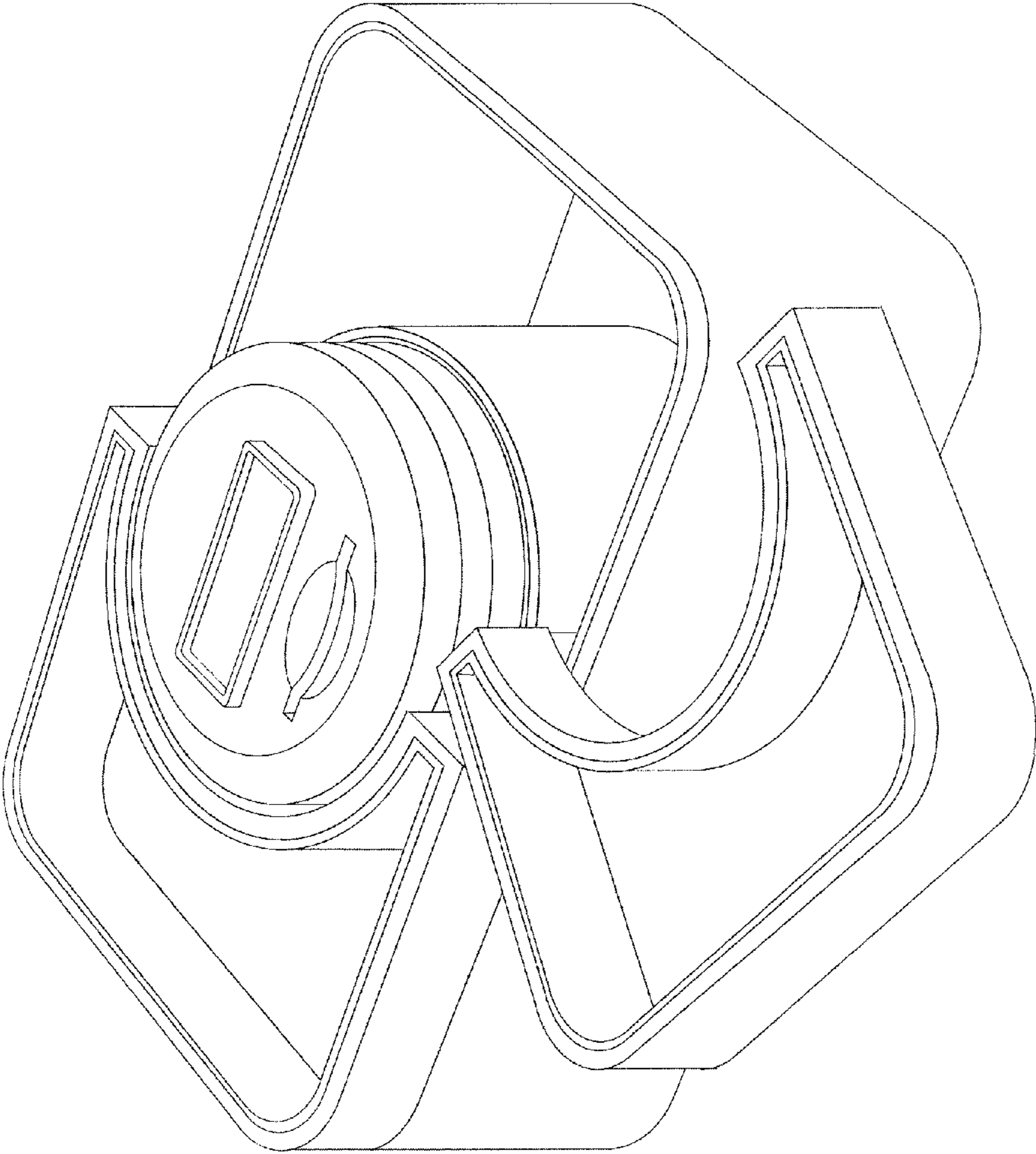


Figure 1

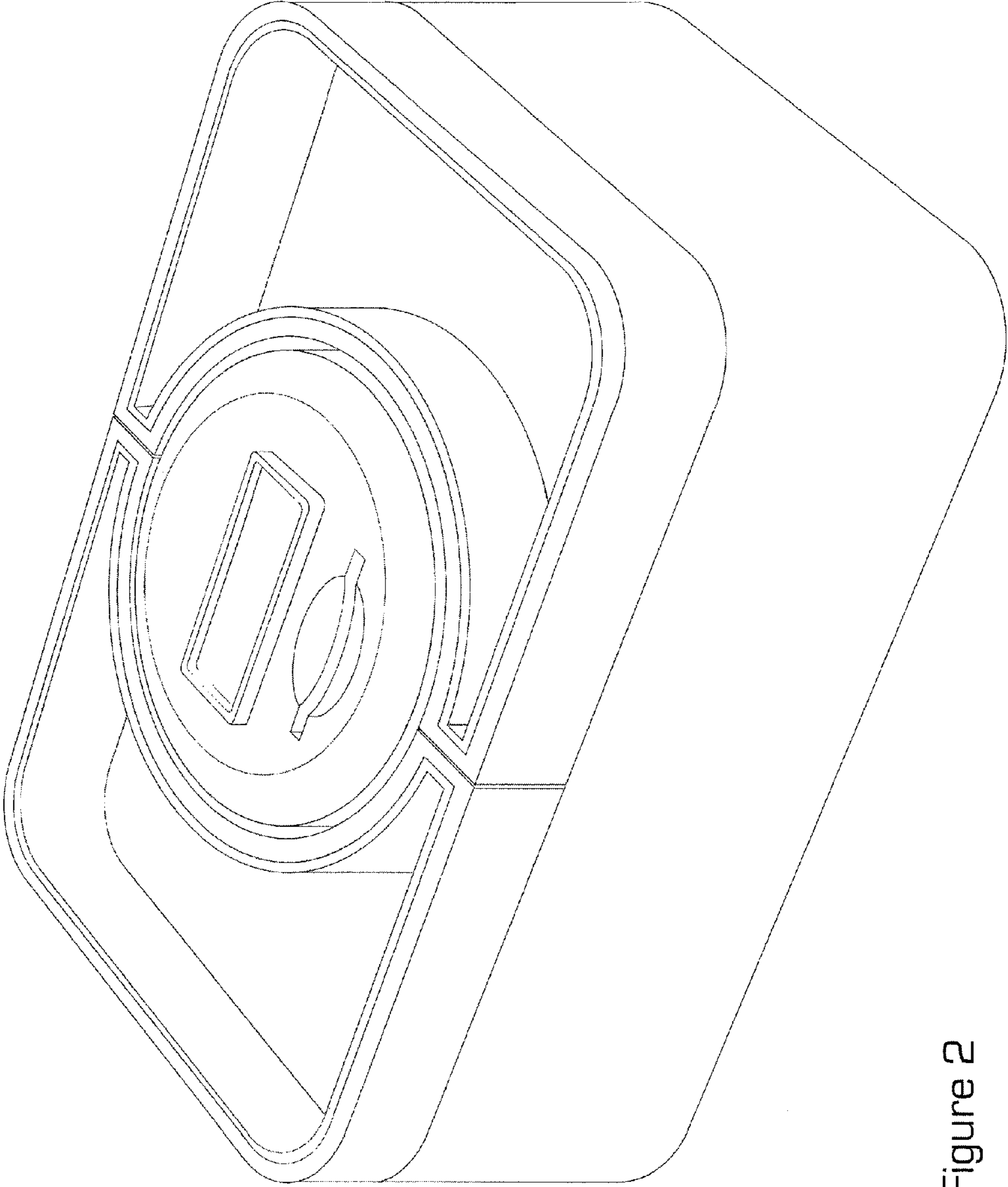


Figure 2

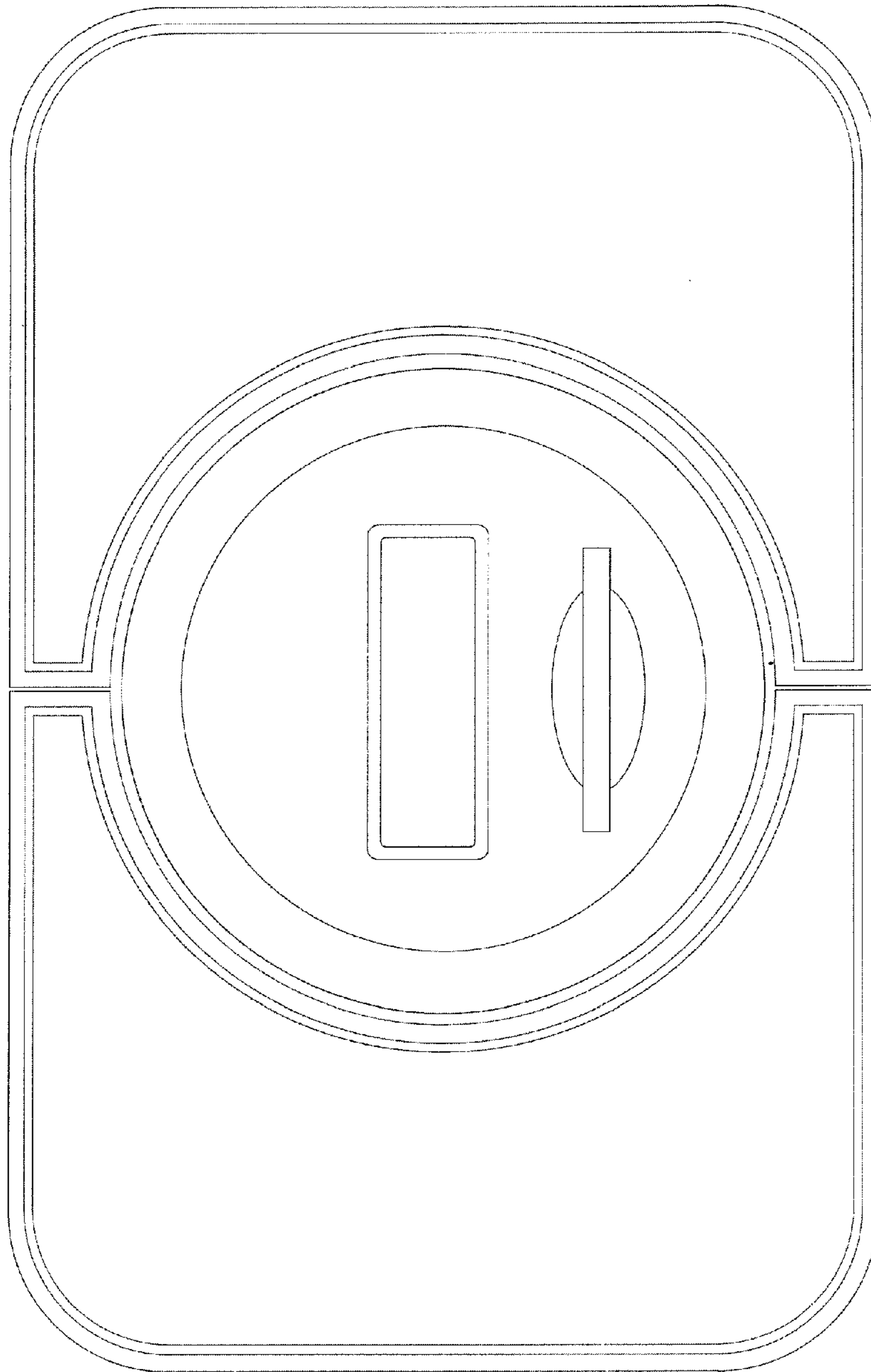


Figure 3

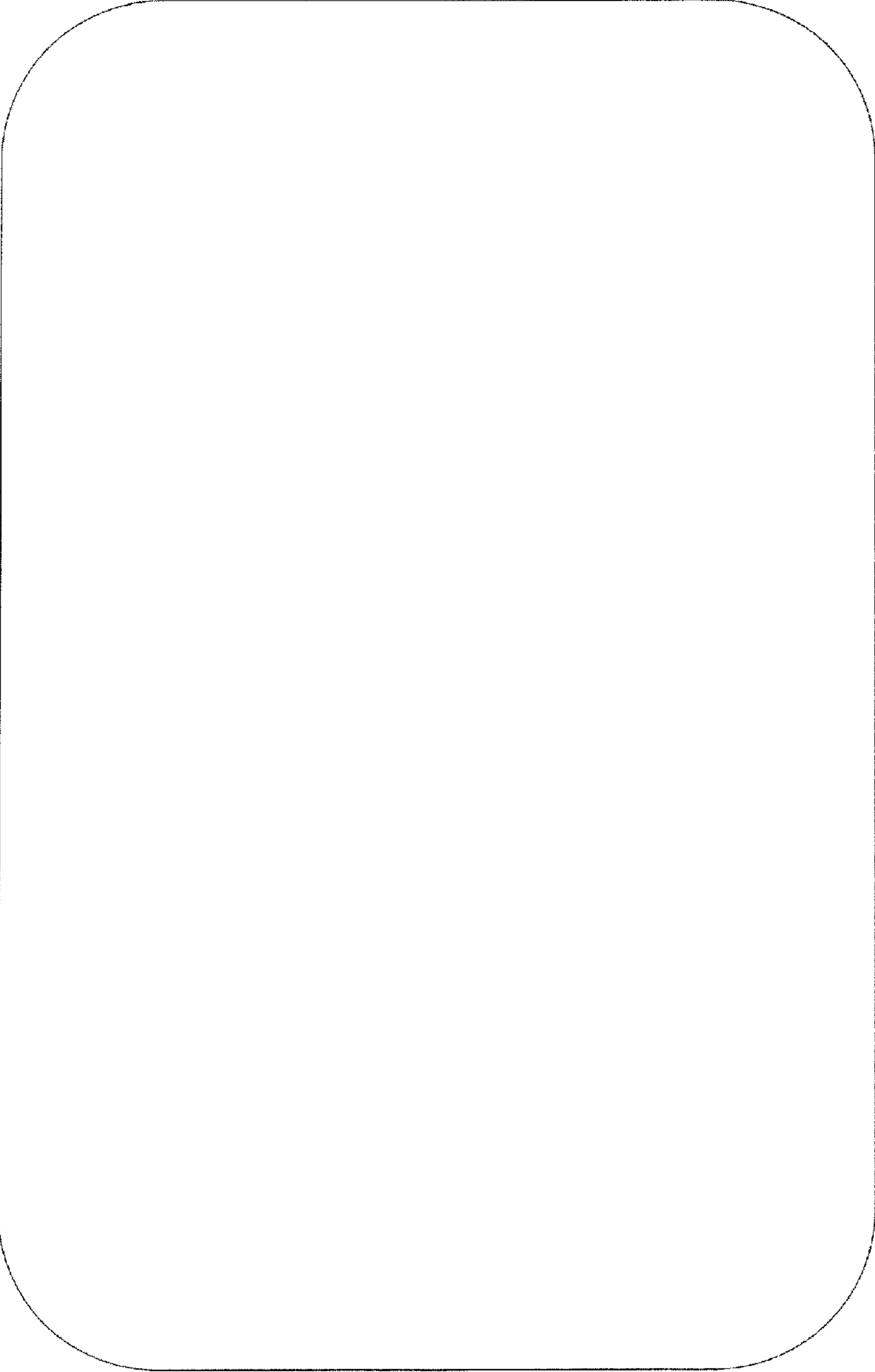


Figure 4

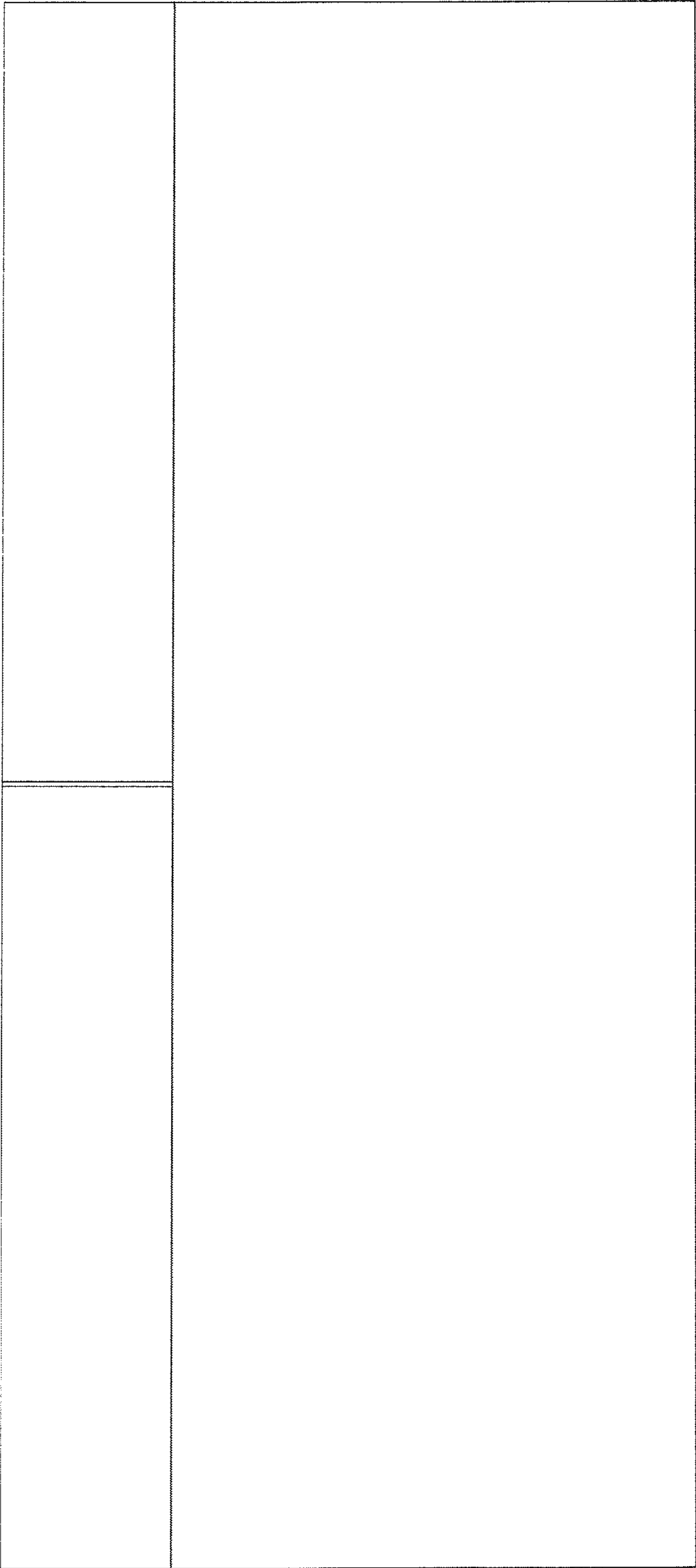


Figure 5

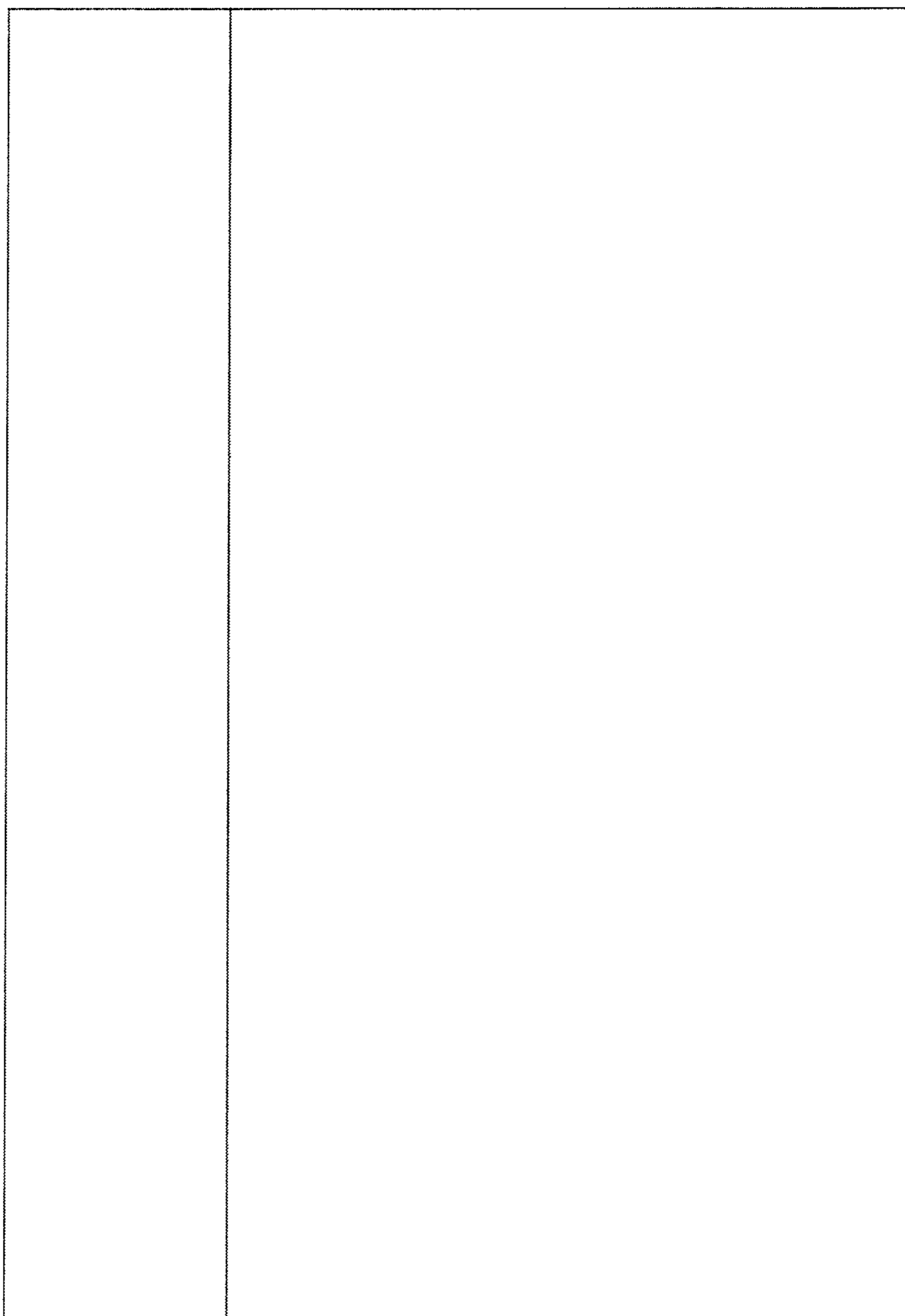


Figure 6