

US00D667601S

(12) **United States Design Patent**
Fitzpatrick et al.

(10) **Patent No.:** **US D667,601 S**
(45) **Date of Patent:** **** Sep. 18, 2012**

(54) **TRASH COLLECTING DEVICE**

(75) Inventors: **James R. Fitzpatrick**, Stratford, CT (US); **John V. Goodrich**, Stratford, CT (US)

(73) Assignee: **Garbo Grabber, LLC**, Stratford, CT (US)

(**) Term: **14 Years**

(21) Appl. No.: **29/408,335**

(22) Filed: **Dec. 9, 2011**

Related U.S. Application Data

(63) Continuation-in-part of application No. 29/374,014, filed on Jun. 21, 2011, now Pat. No. Des. 657,107.

(51) **LOC (9) Cl.** **09-09**

(52) **U.S. Cl.** **D34/6**

(58) **Field of Classification Search** D34/1, D34/5, 6, 7, 8, 9, 10, 11; 220/908, 908.1, 220/495.11, 495.08; 248/95, 97, 99, 100, 248/101; 24/22, 20 R, 23 R, 17 B
See application file for complete search history.

(56) **References Cited**

U.S. PATENT DOCUMENTS

1,265,996 A	5/1918	Cemy	
3,522,922 A	8/1970	Byron et al.	
3,754,785 A	8/1973	Anderson	
3,893,649 A *	7/1975	Cornell et al.	248/99

(Continued)

Primary Examiner — Cynthia Ramirez

(74) *Attorney, Agent, or Firm* — Ware, Fressola, Van Der Sluys & Adolphson LLP

(57) **CLAIM**

We claim the ornamental design of a trash collecting device, as shown and described.

DESCRIPTION

FIG. 1 is a perspective view of a top piece of a trash collecting device showing the invention;

FIG. 2 is a perspective view of a bottom ring of the trash collecting device showing the invention;

FIG. 3 is a top plan view of the top piece of the invention;

FIG. 4 is a bottom plan view of the top piece of the invention;

FIG. 5 is a front elevational view of the top piece of the invention;

FIG. 6 is a left side elevational view of the top piece of the invention, the right side view would be a mirror image thereof;

FIG. 7 is rear elevational view of the top piece of the invention;

FIG. 8 is a top plan view of the bottom ring of the invention;

FIG. 9 is a front elevational view of the bottom ring of the invention;

FIG. 10 is a left side elevational view of the bottom ring of the invention, the right side view would be a mirror image thereof;

FIG. 11 is a rear elevational view of the bottom ring of the invention;

FIG. 12 is a bottom plan view of the bottom ring of the invention;

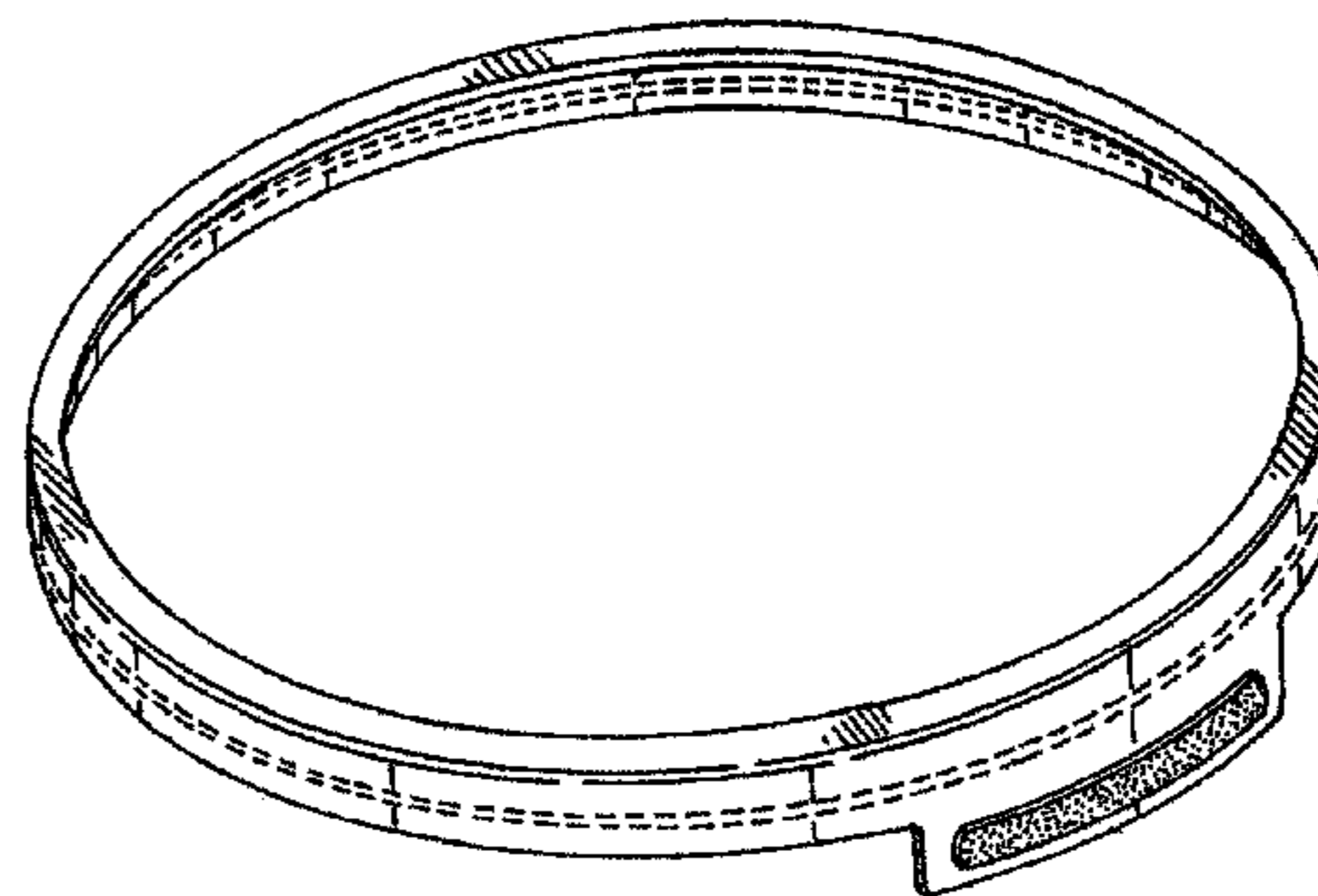
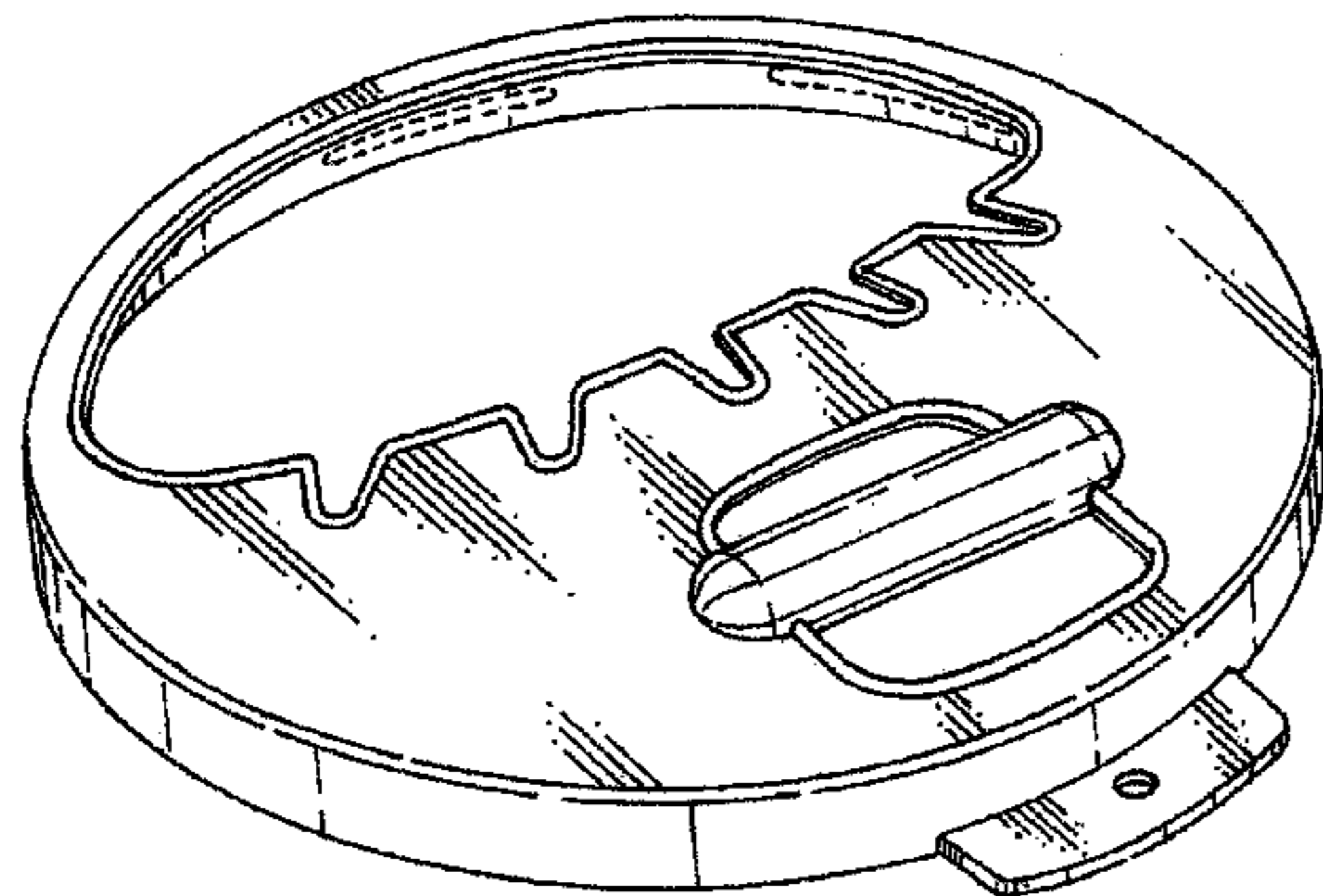
FIG. 13 is a perspective view of the assembled trash collecting device of the invention with the bottom ring inserted within the top piece; and,

FIG. 14 is a bottom plan view of the assembled trash collecting device of the invention with the bottom ring inserted within the top piece.

The broken lines defining the protrusions of the top piece and the groove of the bottom ring are shown for illustrative purposes only and form no part of the claimed design.

The top piece and the bottom ring of the trash collecting device have been shown separately in FIGS. 1 through 12 for convenience of illustration.

1 Claim, 9 Drawing Sheets



US D667,601 S

Page 2

U.S. PATENT DOCUMENTS

4,313,292	A	2/1982	McWilliams				
4,318,521	A	3/1982	Martin et al.				
D271,718	S	12/1983	Johno, Jr. et al.				
4,488,697	A	12/1984	Garvey	248/101			
4,550,440	A	10/1985	Rico				
4,805,858	A	2/1989	Taylor				
4,867,401	A	9/1989	Graff	248/99			
4,899,967	A	2/1990	Johnson	248/97			
5,217,271	A	6/1993	Moe				
D357,780	S *	4/1995	Breen	D34/10			
D364,256	S *	11/1995	Breen et al.	D34/10			
5,588,622	A	12/1996	Gordon, Sr.				
D377,253	S *	1/1997	Presnell	D34/11			
5,662,238	A	9/1997	Sarno	220/495.11			
D386,867	S *	11/1997	Clark	D34/10			
5,836,553	A	11/1998	Bergaila				
5,913,496	A	6/1999	Valdez				
5,913,696	A	6/1999	Chen	439/419			
5,960,983	A	10/1999	Chan	220/666			
6,138,965	A	10/2000	Iorio et al.	248/150			
6,250,492	B1	6/2001	Verbeek	220/495.11			
D457,283	S *	5/2002	Wayt	D34/6			
6,416,023	B1	7/2002	Satsky				
6,604,717	B2	8/2003	Stanfield				
6,606,996	B1	8/2003	Thornell et al.				
6,679,462	B1	1/2004	Valdez				
D537,598	S *	2/2007	Moore	D34/5			
D555,325	S	11/2007	Roberts et al.	D34/39			
D609,774	S	2/2010	Ryman	D23/206			
7,703,723	B1	4/2010	Cooper et al.				
7,708,236	B2	5/2010	Romero				
7,731,134	B1	6/2010	Mutert				
7,753,322	B1	7/2010	Peterson				
D621,118	S	8/2010	Cannizzo	D34/6			
D632,447	S	2/2011	Lutz	D34/6			
D654,646	S *	2/2012	Williams	D34/6			
D657,107	S *	4/2012	Fitzpatrick et al.	D34/6			
2004/0195467	A1	10/2004	Passage				
2005/0087657	A1	4/2005	Dran				
2007/0210216	A1	9/2007	McConnell				
2009/0114778	A1	5/2009	Payne et al.	248/95			
2009/0230258	A1	9/2009	McFadden				

* cited by examiner

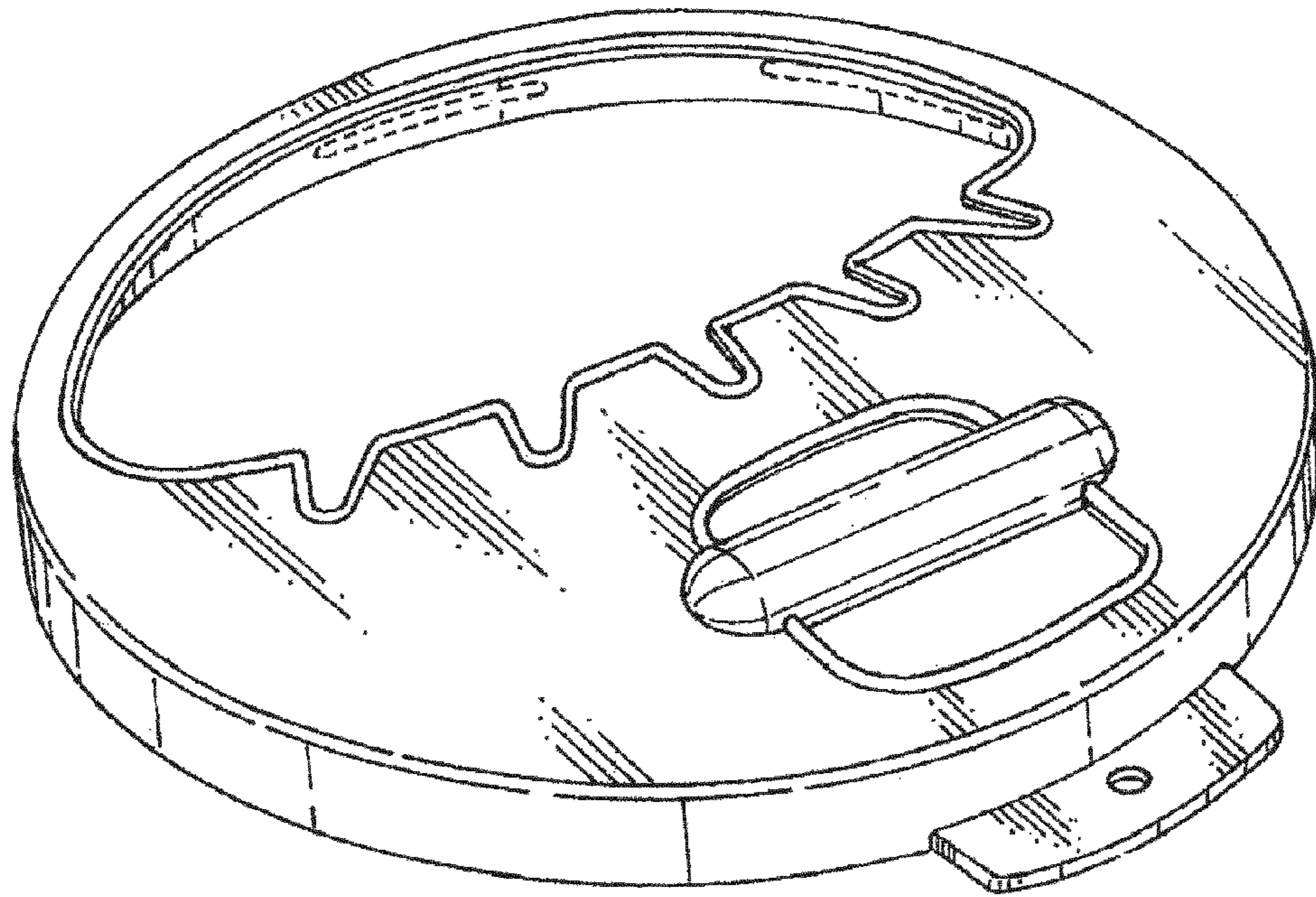


FIG. 1

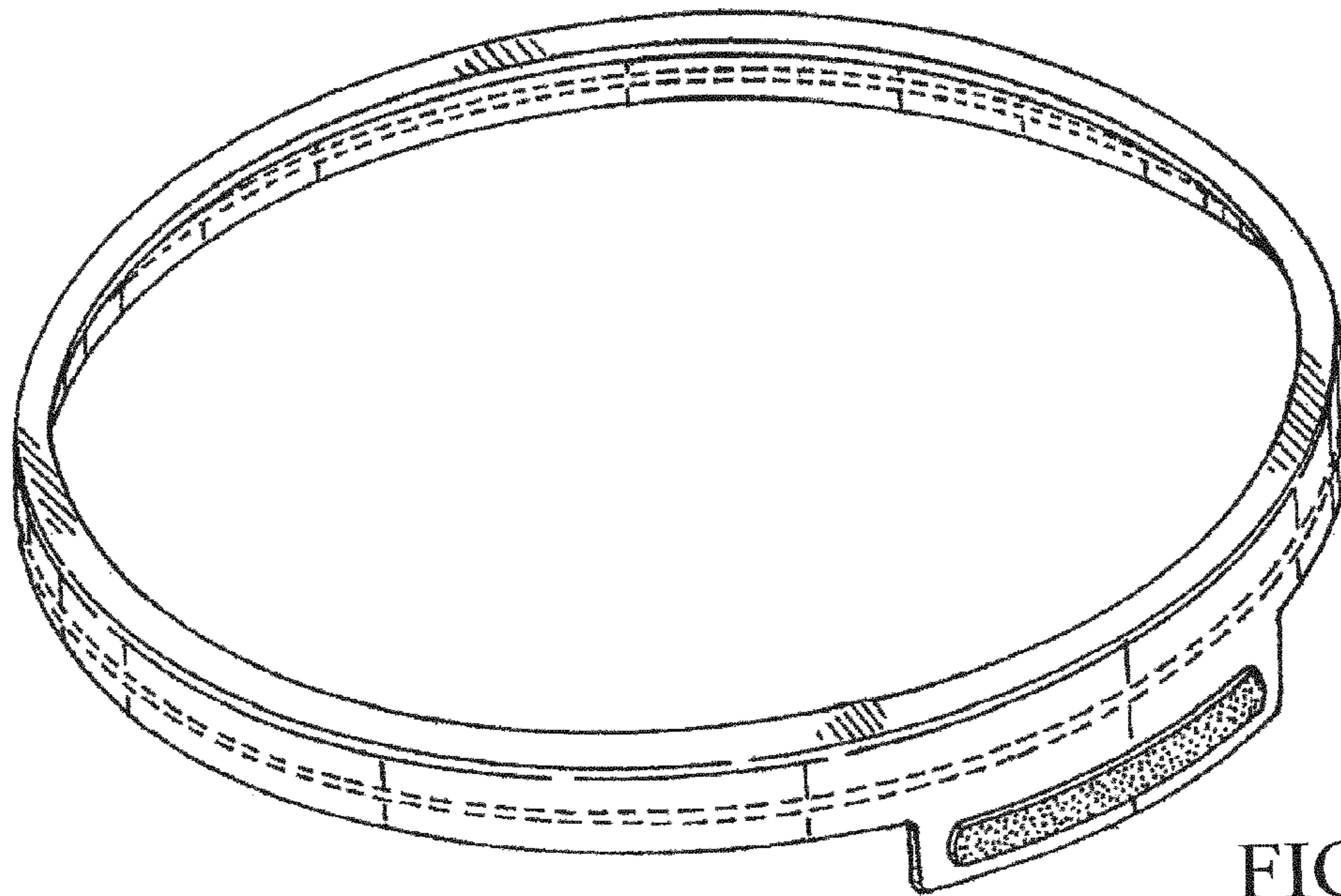


FIG. 2

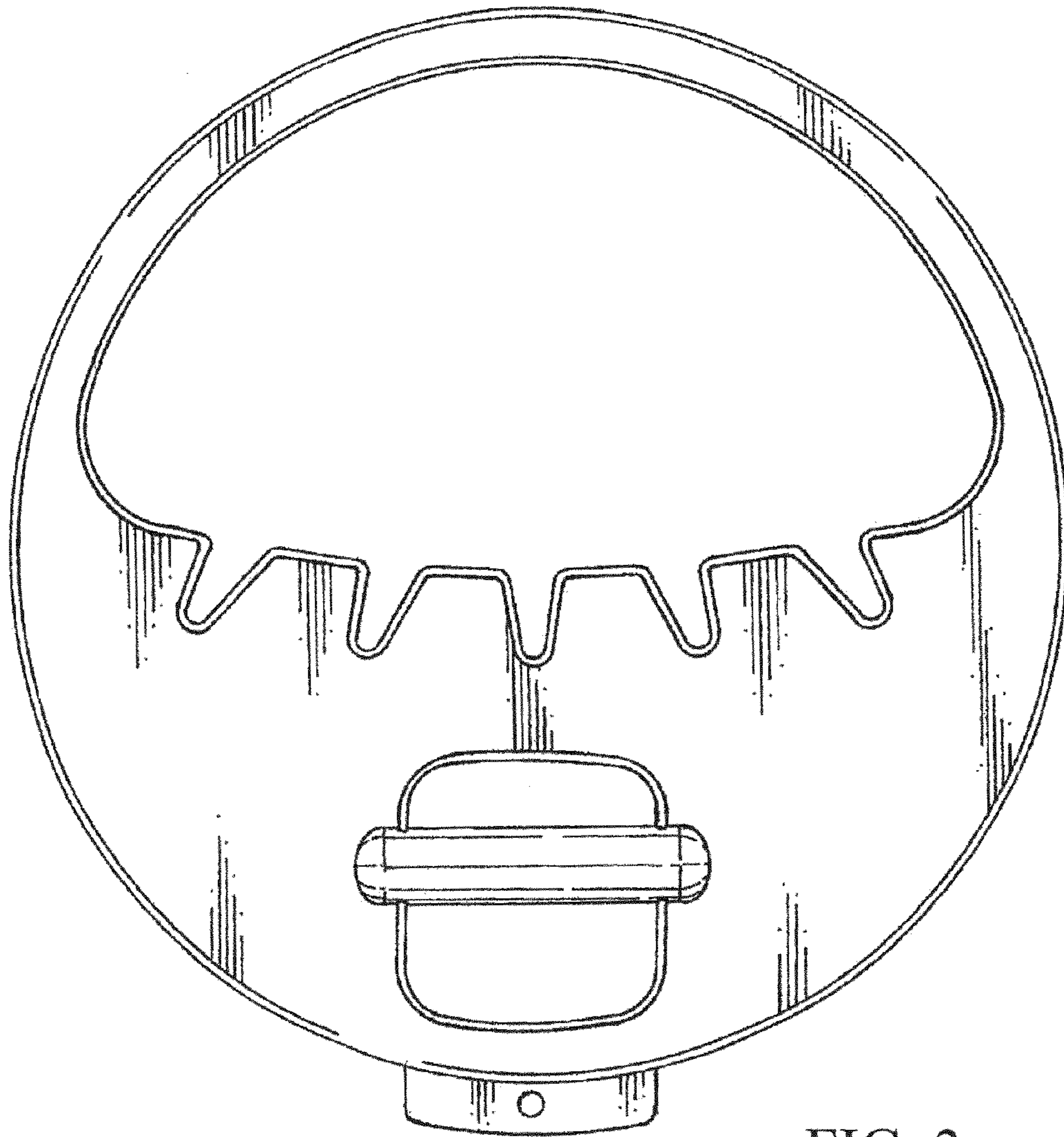


FIG. 3

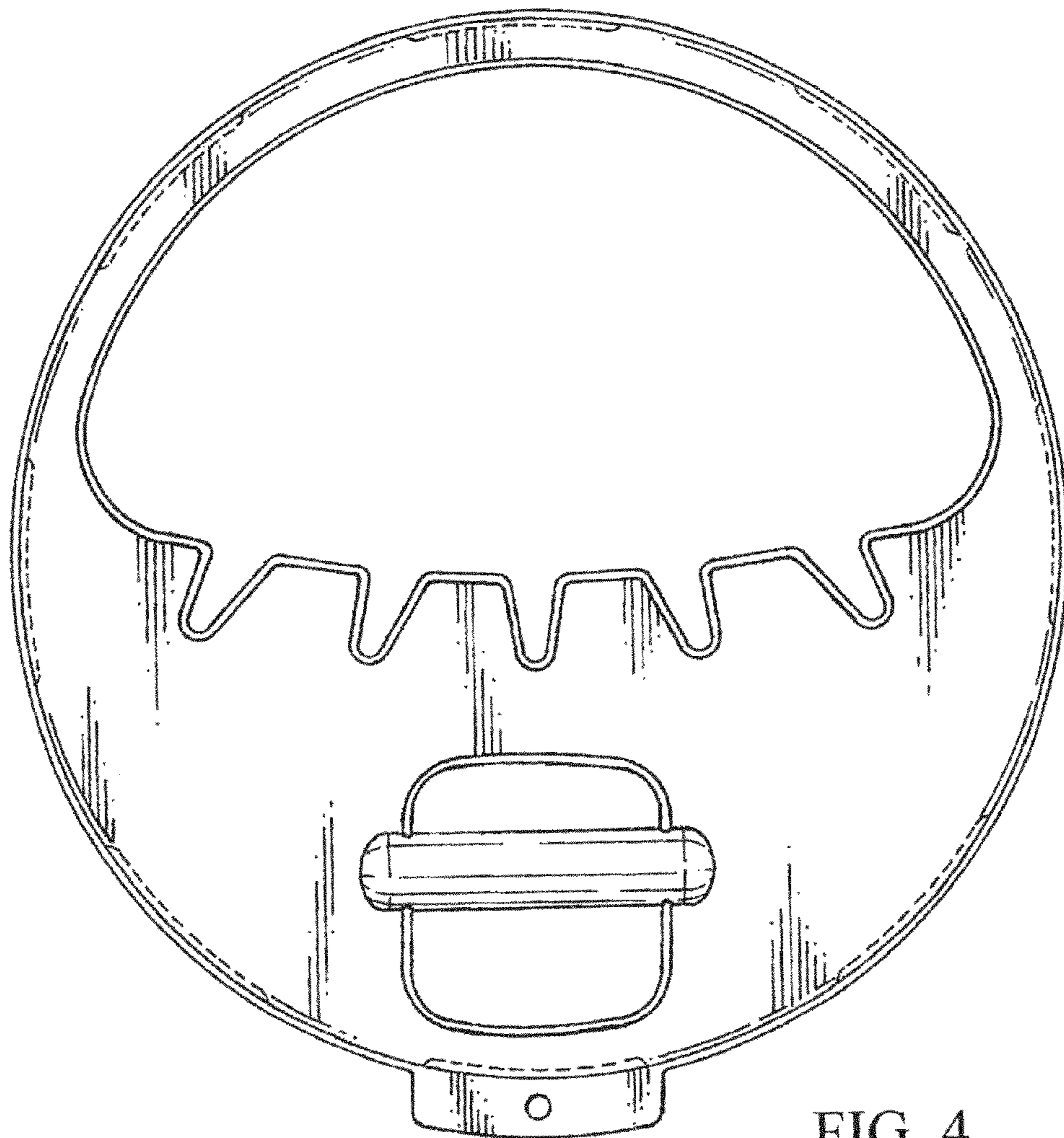


FIG. 4

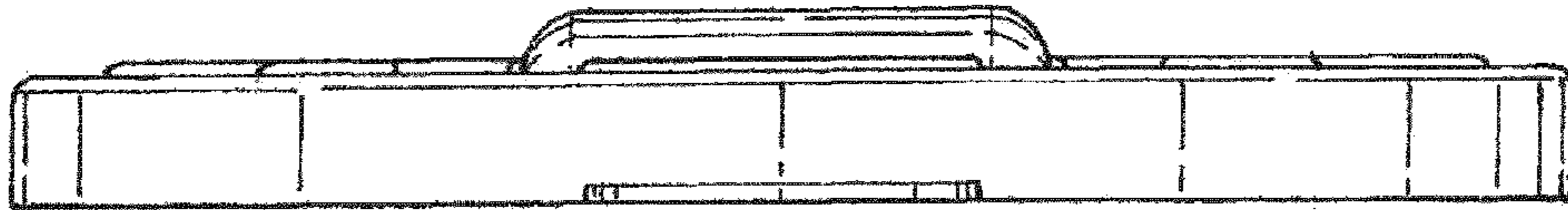


FIG. 5

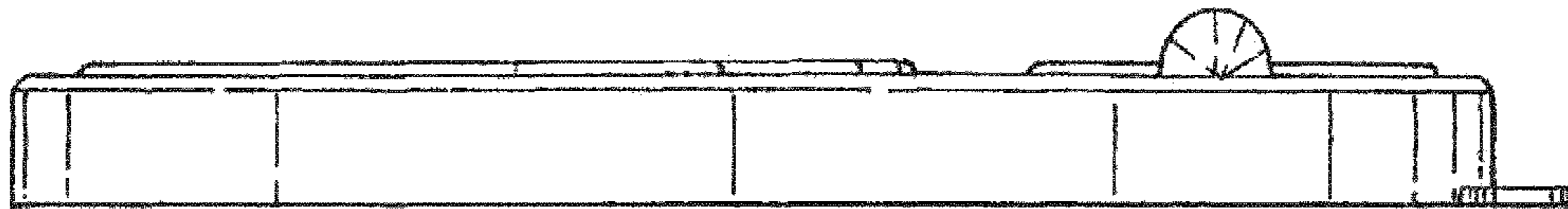


FIG. 6



FIG. 7

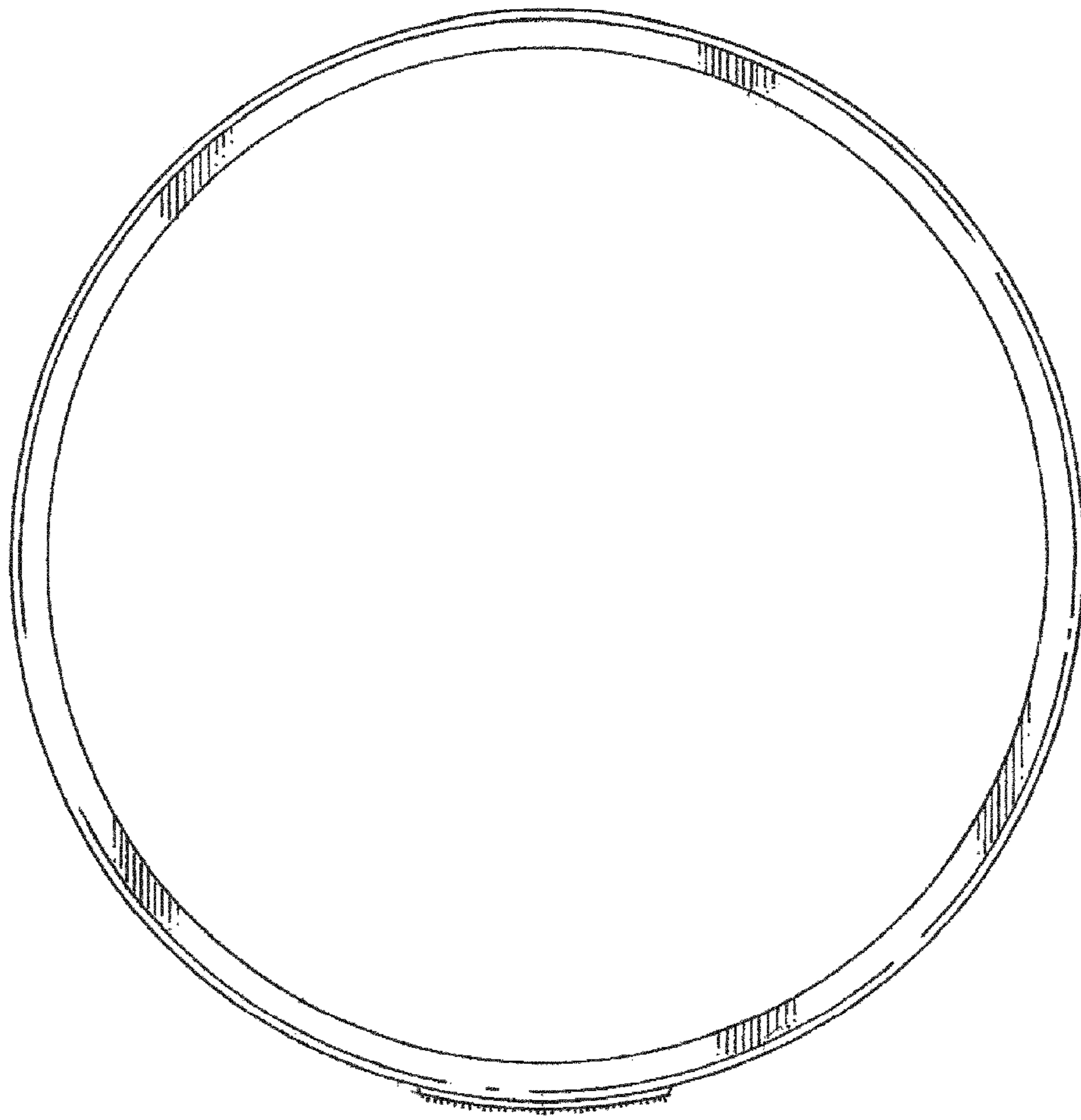


FIG. 8

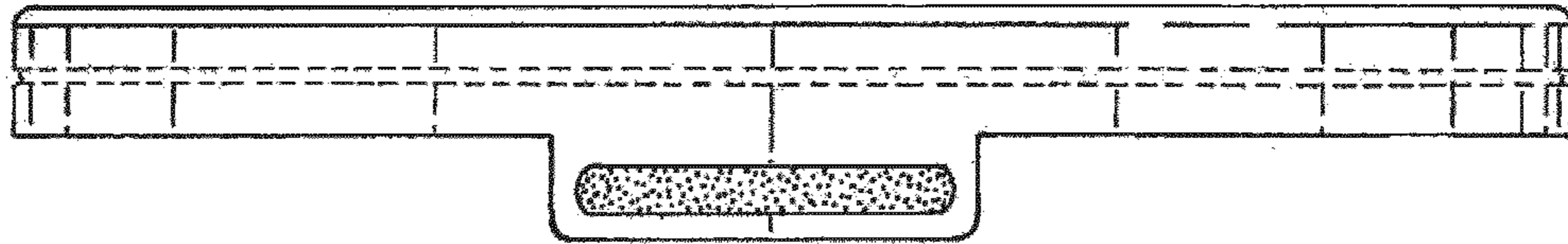


FIG. 9

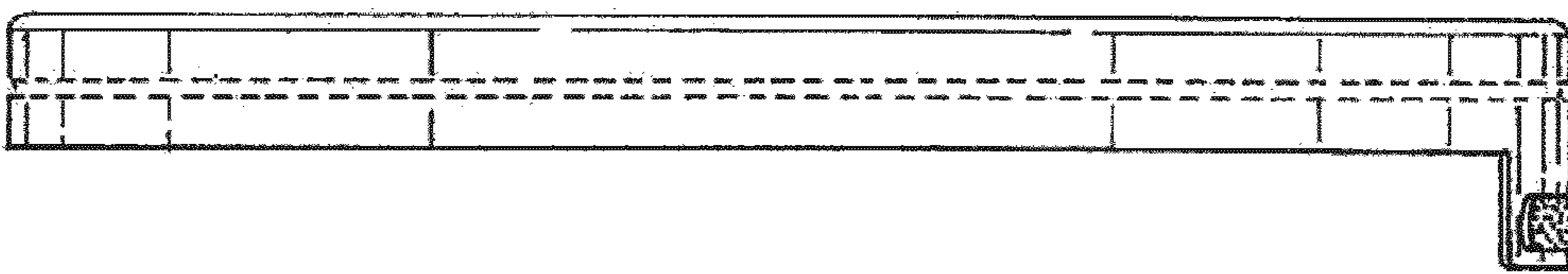


FIG. 10

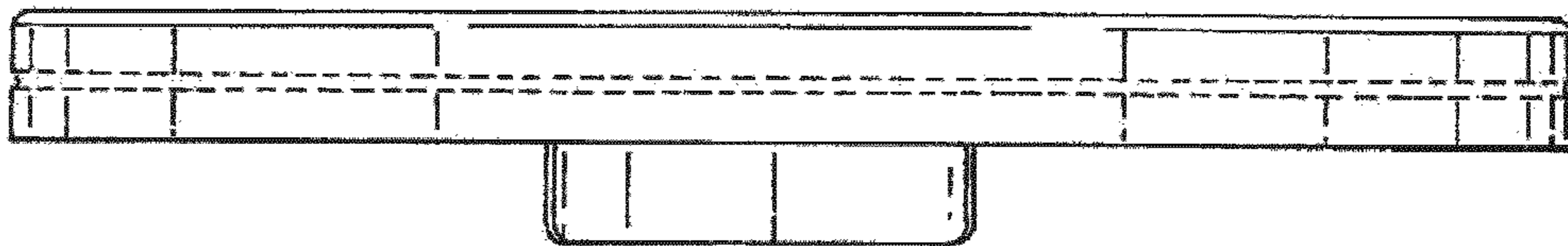


FIG. 11

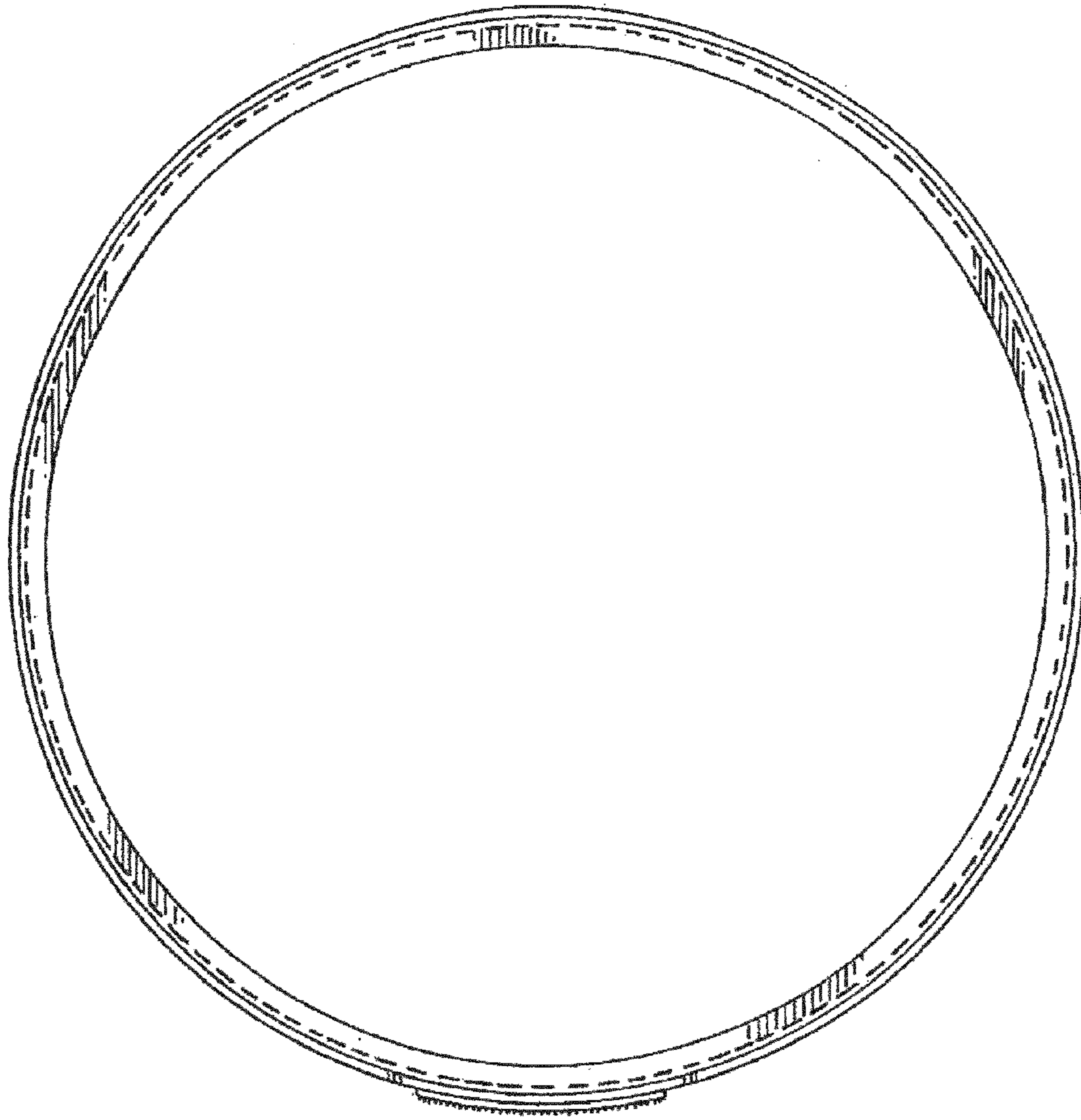


FIG. 12

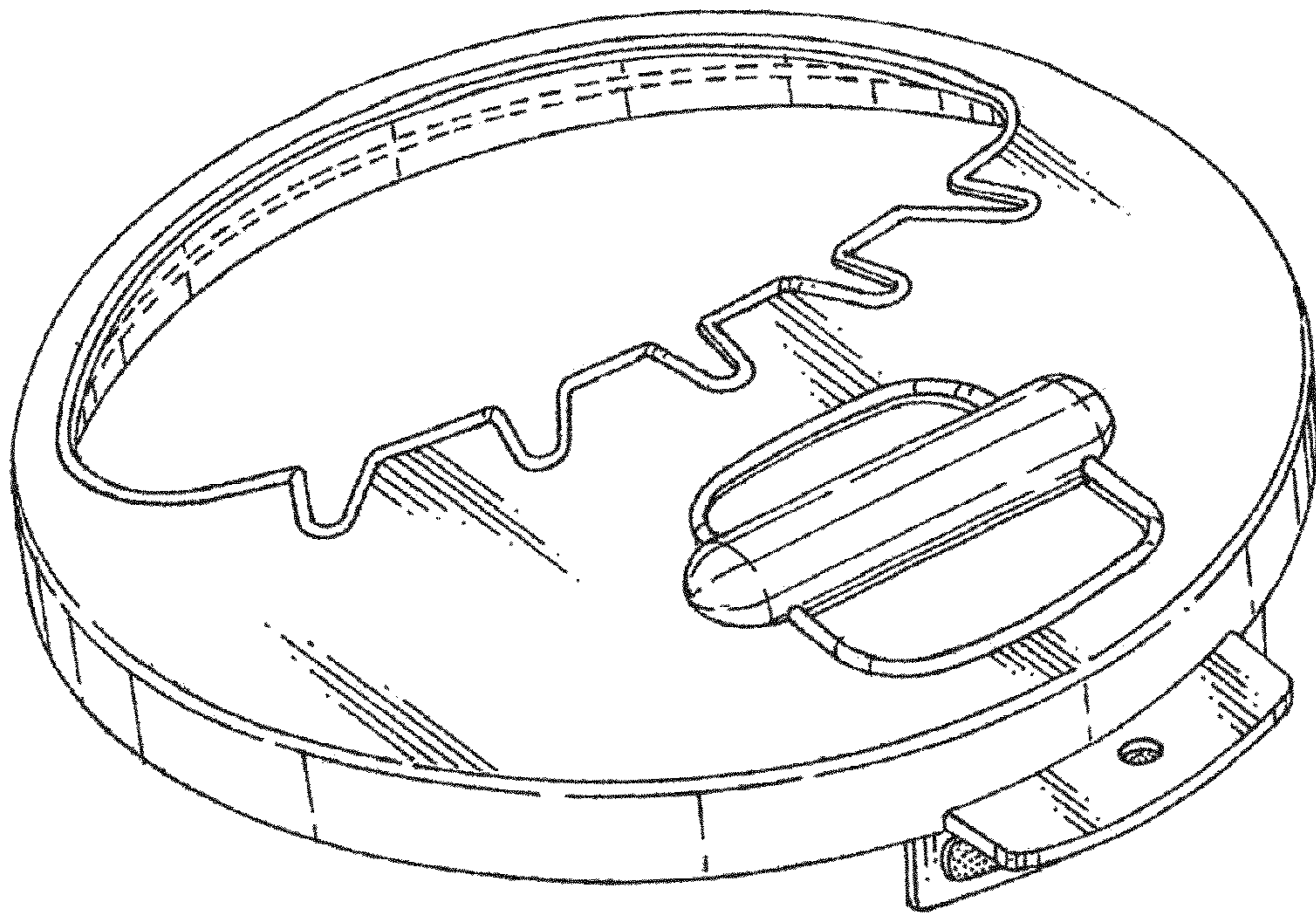


FIG. 13

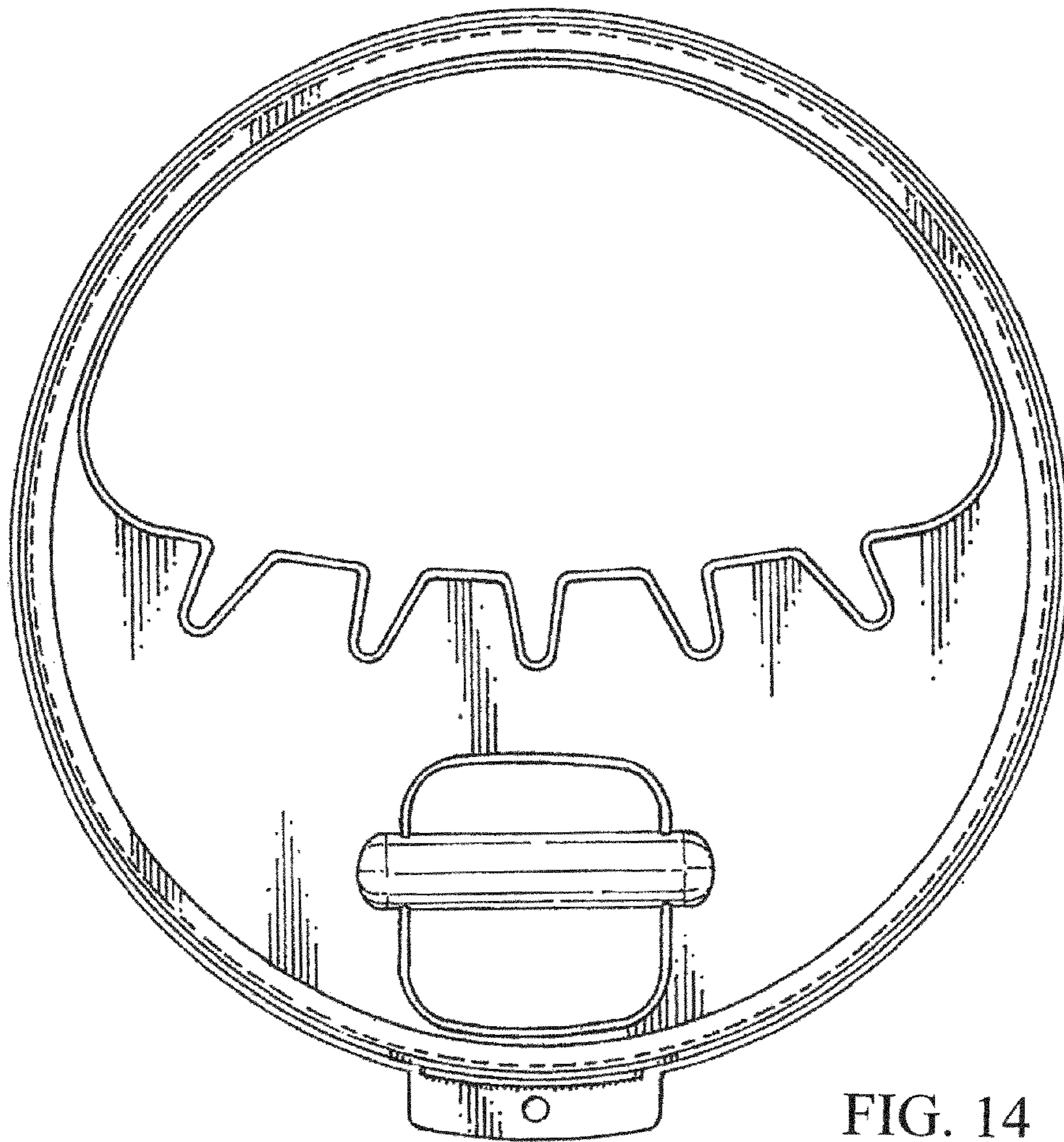


FIG. 14