



US00D667600S

(12) **United States Design Patent**  
**Smith**

(10) **Patent No.:** **US D667,600 S**

(45) **Date of Patent:** **\*\* Sep. 18, 2012**

(54) **IRON WITH STEAM GENERATOR**

(75) Inventor: **Peter Smith**, Amsterdam (NL)

(73) Assignee: **Koninklijke Philips Electronics N.V.**,  
Eindhoven (NL)

(\*\*) Term: **14 Years**

(21) Appl. No.: **29/398,669**

(22) Filed: **Aug. 3, 2011**

(30) **Foreign Application Priority Data**

Feb. 3, 2011 (EM) ..... 001816042-0001

(51) **LOC (9) Cl.** ..... **07-05**

(52) **U.S. Cl.** ..... **D32/70**

(58) **Field of Classification Search** ..... D32/73,  
D32/72, 71, 70, 69, 68, 35; 392/404; 38/97,  
38/96, 93, 88, 77.9, 77.83, 77.82, 77.81,  
38/77.8, 77.7, 77.6, 77.5, 77.3, 77.1; 219/251,  
219/245

See application file for complete search history.

(56) **References Cited**

U.S. PATENT DOCUMENTS

D316,768 S *	5/1991	Komar	.....	D32/73
D439,023 S *	3/2001	Powell	.....	D32/73
D463,641 S *	9/2002	Powell	.....	D32/71
D470,637 S *	2/2003	Berthier	.....	D32/73
D548,418 S *	8/2007	Cahen	.....	D32/70
D570,570 S *	6/2008	Renault	.....	D32/73
D617,518 S *	6/2010	Choi	.....	D32/73

\* cited by examiner

*Primary Examiner* — Austin Murphy

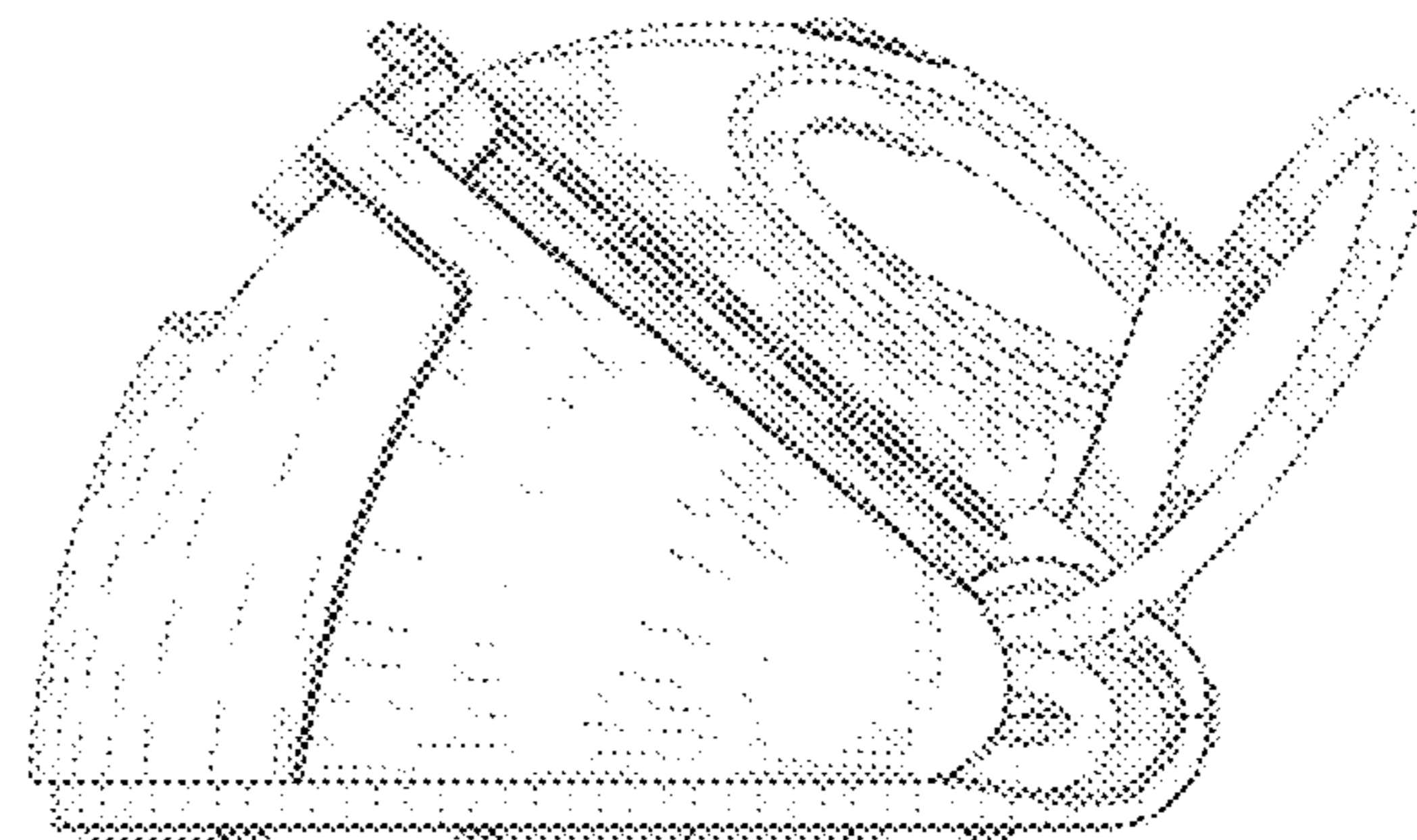
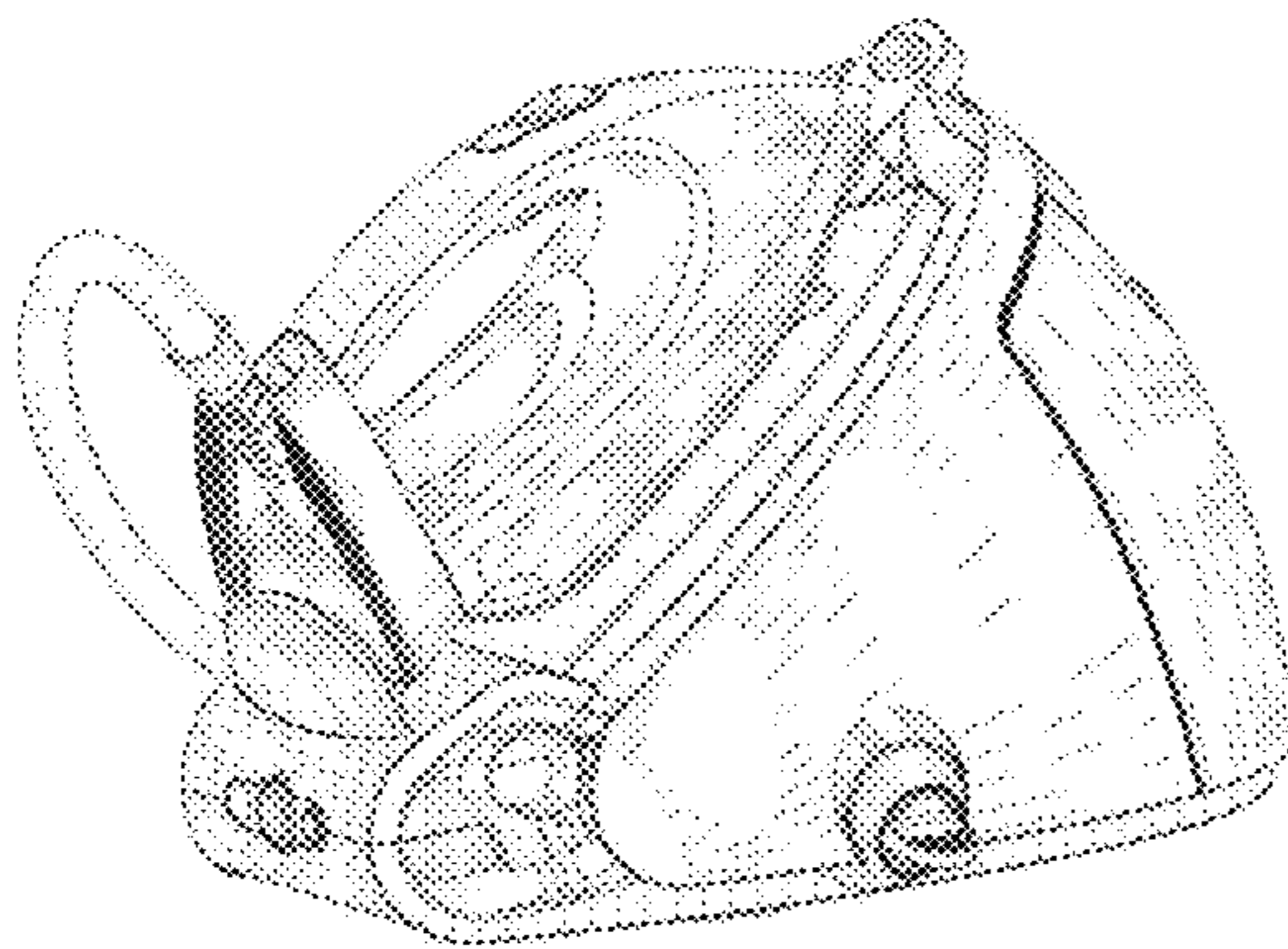
(57) **CLAIM**

The ornamental design for an iron with steam generator, as shown.

**DESCRIPTION**

FIG. 1 is a perspective view showing my design;  
FIG. 2 is a front elevational view thereof;  
FIG. 3 is a rear elevational view thereof;  
FIG. 4 is a right side elevational view thereof;  
FIG. 5 is a left side elevational view thereof;  
FIG. 6 is a top plan view thereof; and,  
FIG. 7 is a bottom plan view thereof.  
All broken lines in the drawings form no part of the claimed design.

**1 Claim, 6 Drawing Sheets**



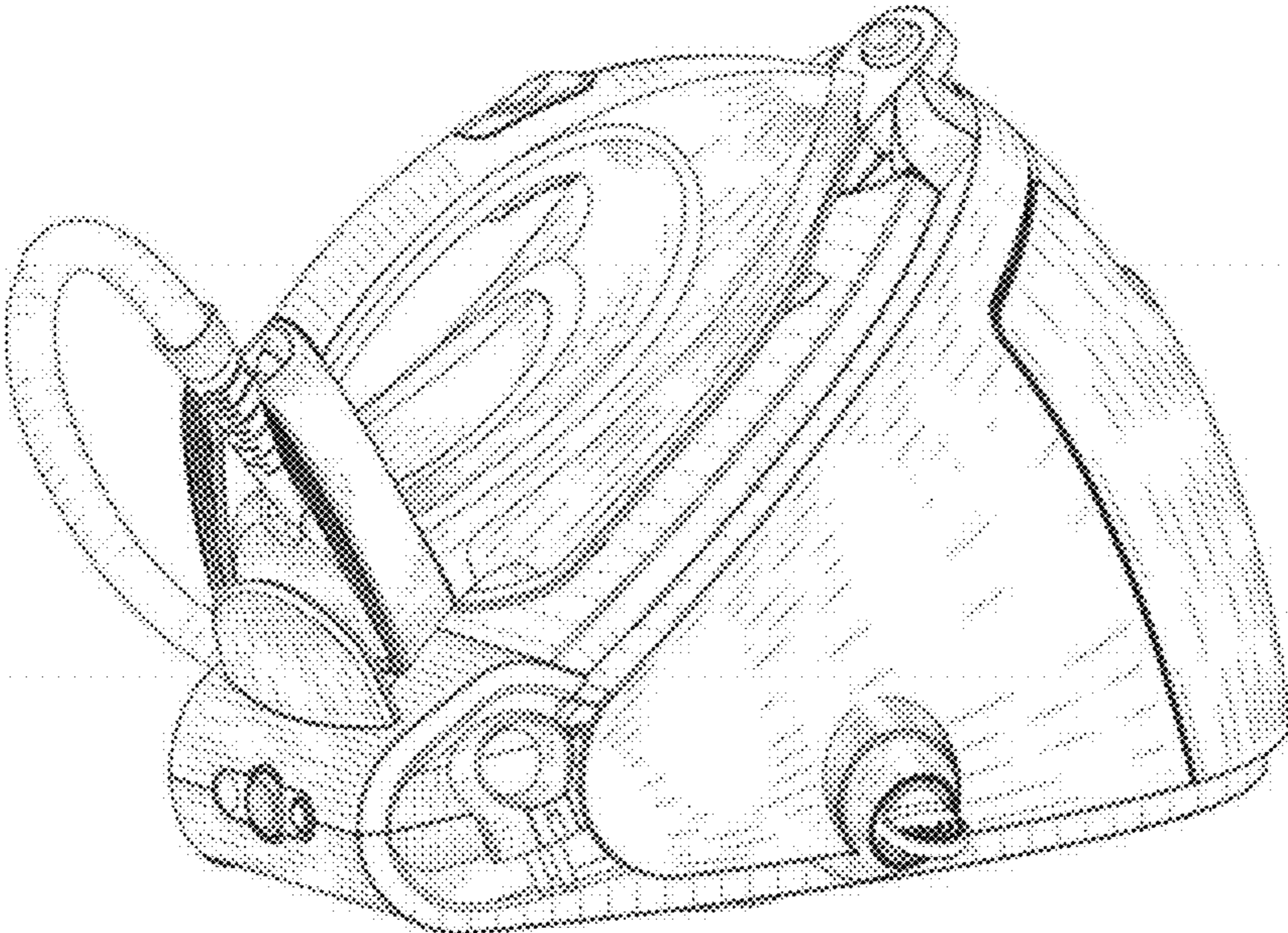


FIG. 1



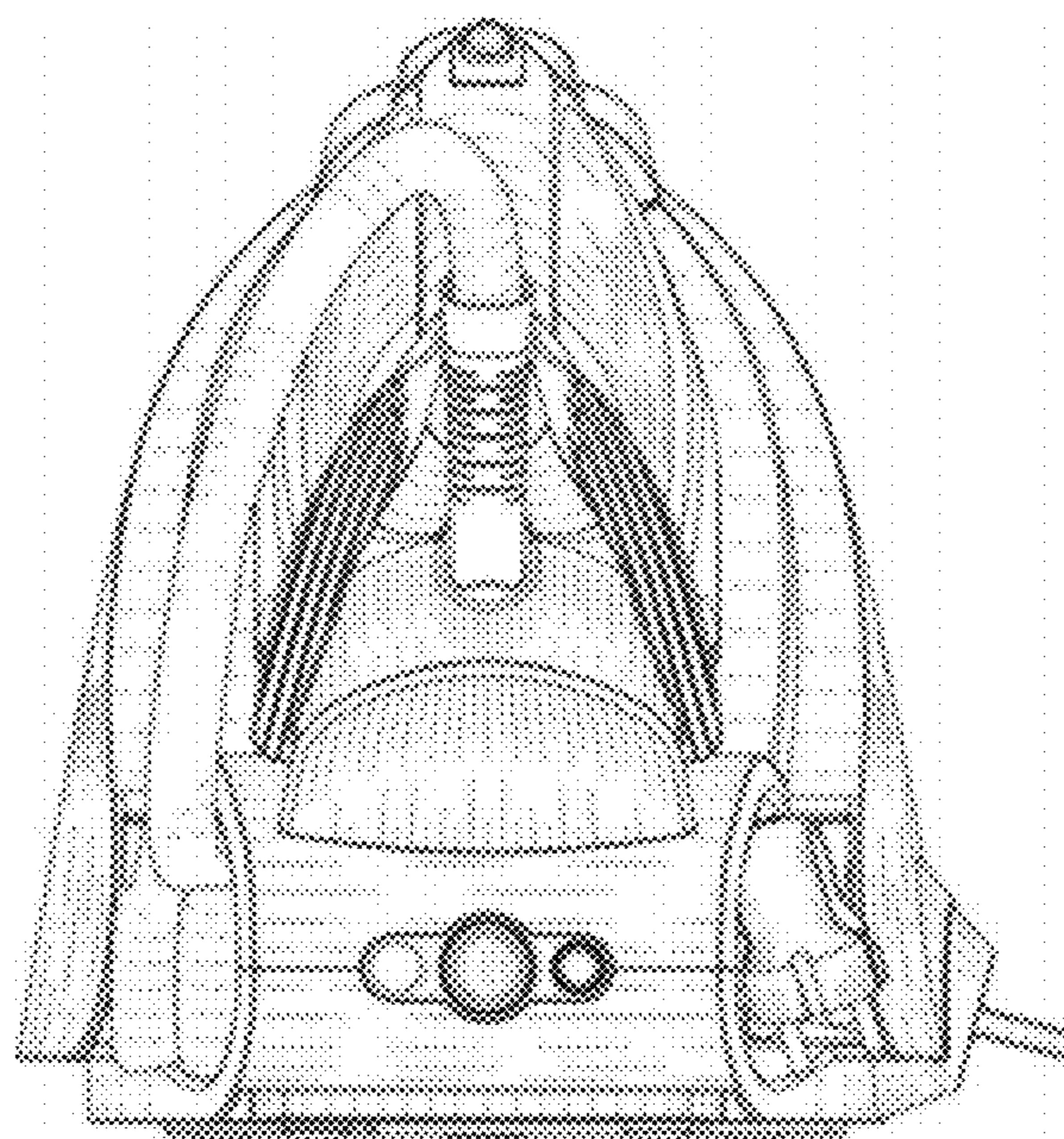


FIG. 2

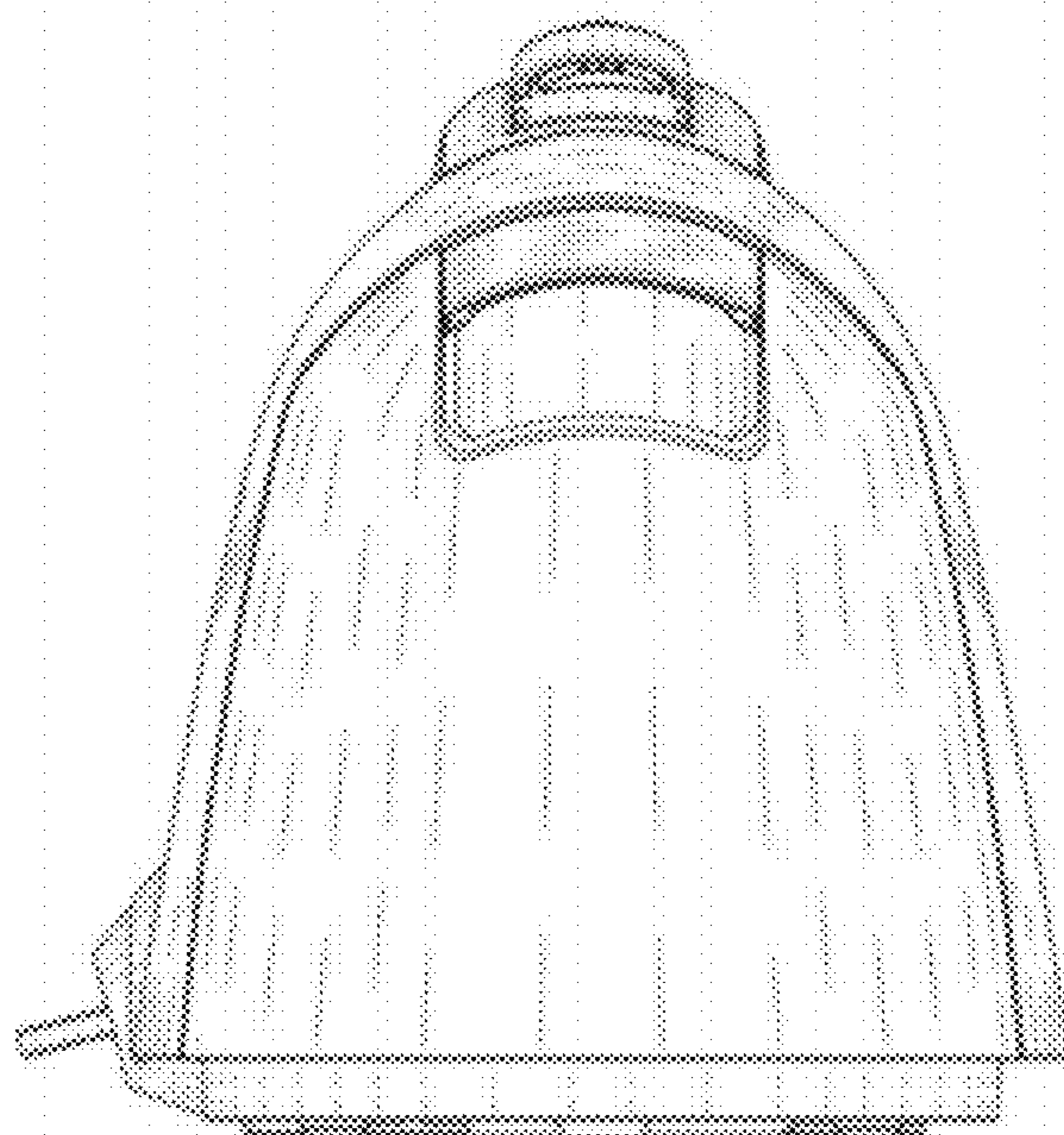


FIG. 3

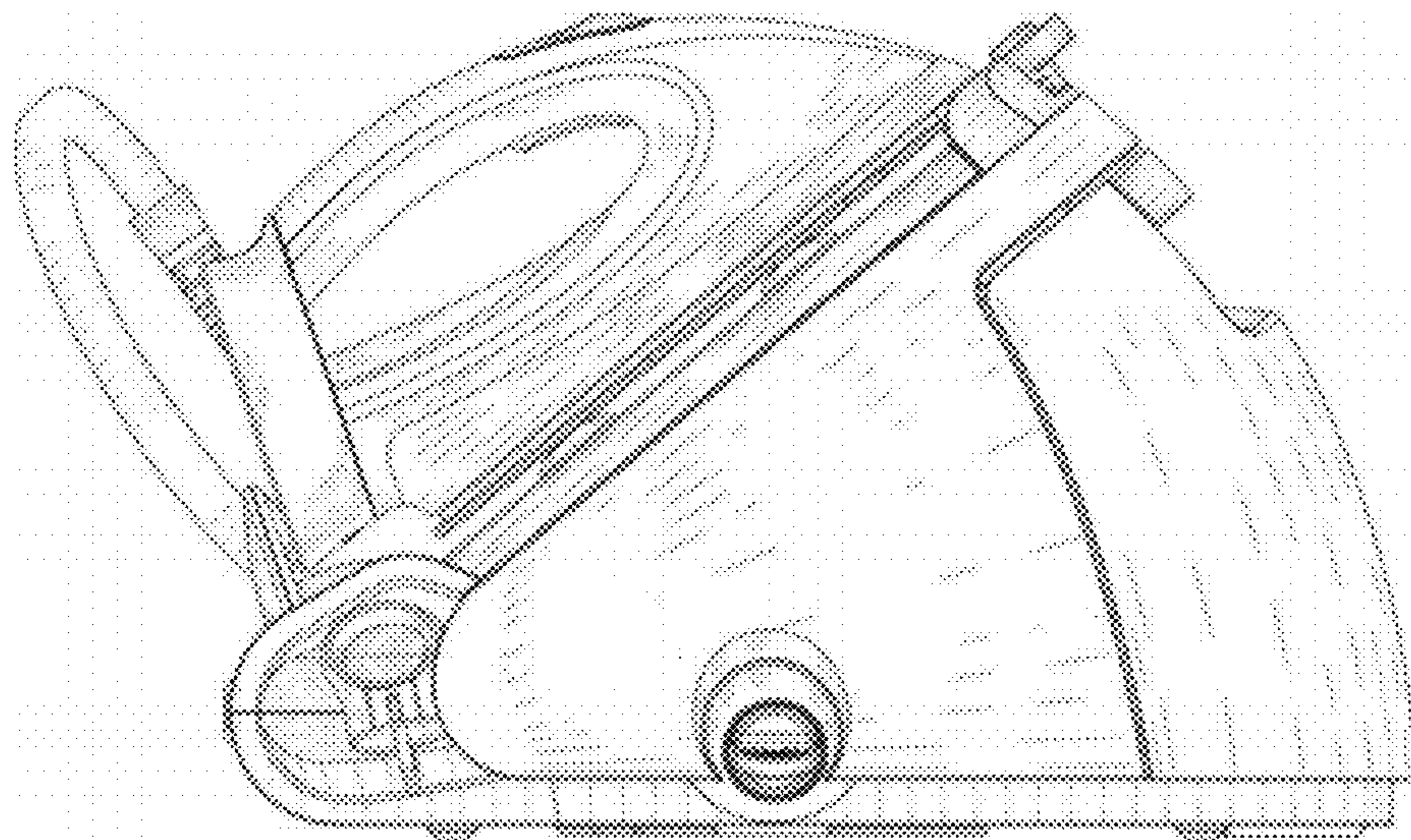


FIG. 4

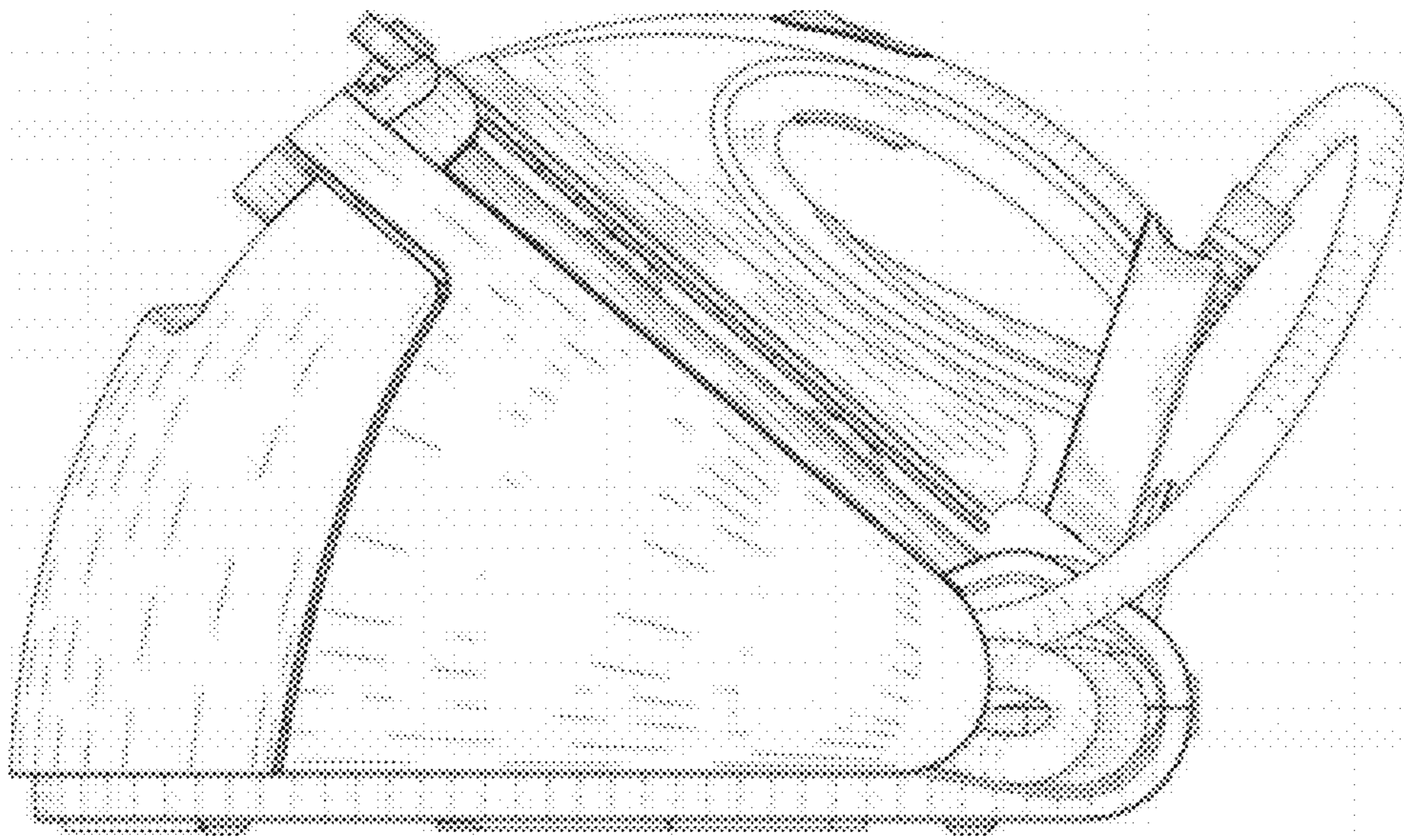


FIG. 5



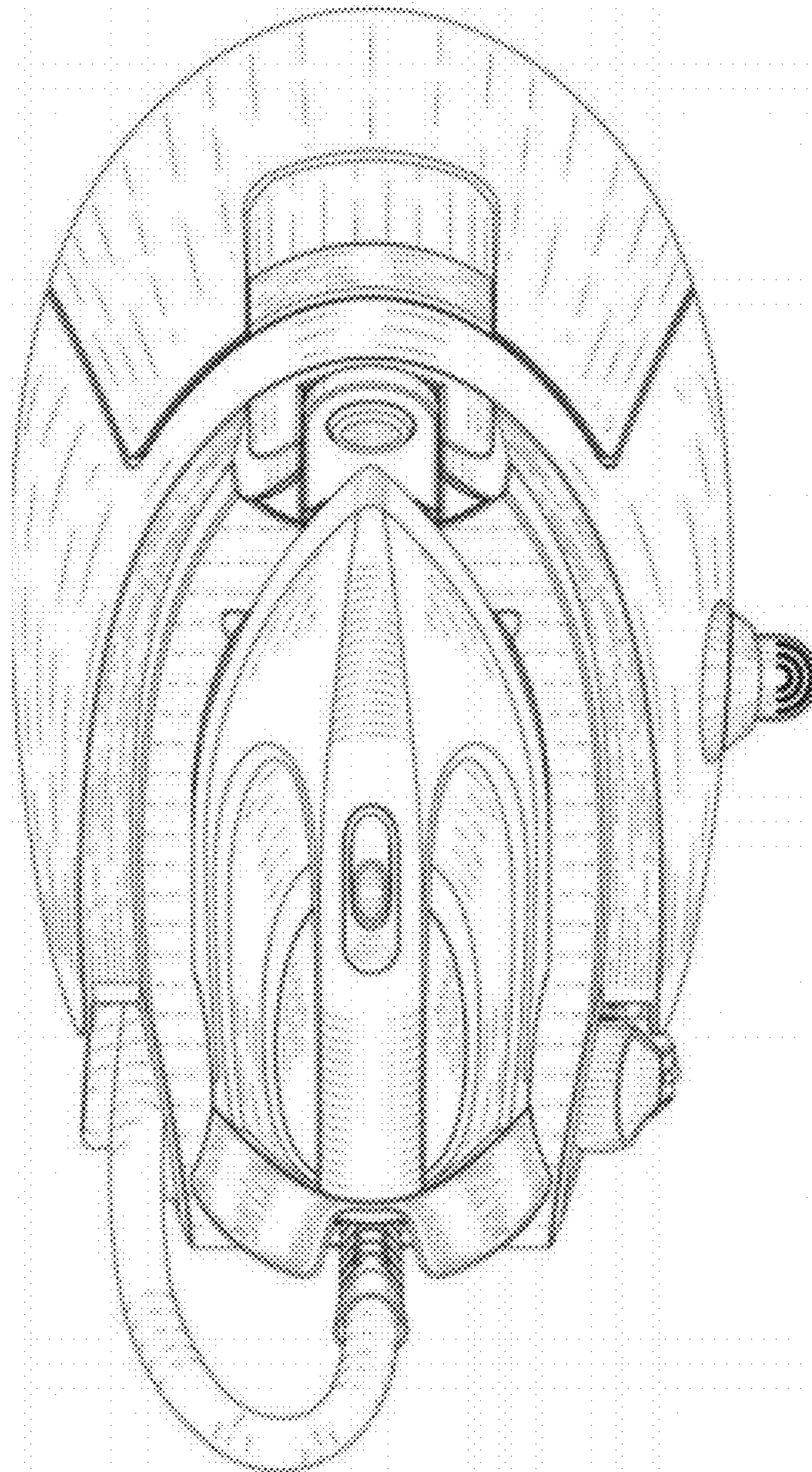


FIG. 6

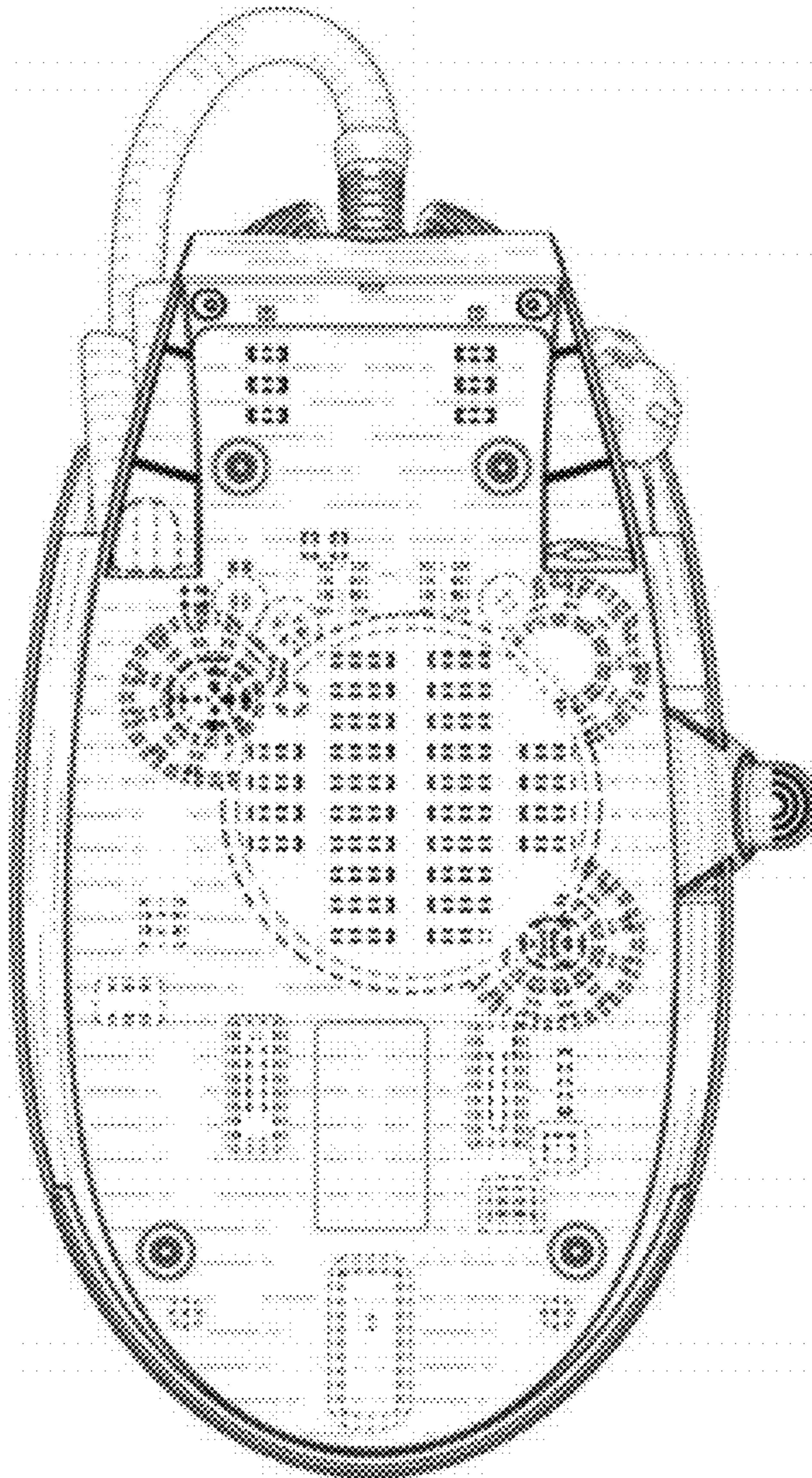


FIG. 7