



US00D667599S

(12) **United States Design Patent**
Koehler et al.

(10) **Patent No.:** **US D667,599 S**

(45) **Date of Patent:** **** Sep. 18, 2012**

(54) **ELECTRIC STEAM IRON**

(75) Inventors: **Bernd Koehler**, St. Genis Laval (FR);
Fabrice Renault, Chassieu (FR)

(73) Assignee: **Calor**, Lyons (FR)

(**) Term: **14 Years**

(21) Appl. No.: **29/394,564**

(22) Filed: **Jun. 17, 2011**

(30) **Foreign Application Priority Data**

Dec. 21, 2010 (EP) 001251250-0001

(51) **LOC (9) CL.** **07-05**

(52) **U.S. CL.** **D32/70**

(58) **Field of Classification Search** D32/73,
D32/72, 71, 70, 69, 68, 35; 392/404; 38/97,
38/96, 93, 88, 77.9, 77.83, 77.82, 77.81,
38/77.8, 77.7, 77.6, 77.5, 77.3, 77.1; 219/251,
219/245

See application file for complete search history.

(56) **References Cited**

U.S. PATENT DOCUMENTS

D370,103 S *	5/1996	Gudefin	D32/70
D370,104 S *	5/1996	Gudefin	D32/70
D393,509 S *	4/1998	Gudefin	D32/70
D537,593 S *	2/2007	Takahashi et al.	D32/70
D537,594 S *	2/2007	Takahashi et al.	D32/70
D537,595 S *	2/2007	Picozza et al.	D32/70
D567,462 S *	4/2008	Renault et al.	D32/70
D582,620 S *	12/2008	Brown	D32/70
D594,165 S *	6/2009	Mizoguchi	D32/70
D594,166 S *	6/2009	Mizoguchi	D32/70
D610,764 S *	2/2010	Massip et al.	D32/70
D635,730 S *	4/2011	Choi et al.	D32/70
D642,762 S *	8/2011	Ågren et al.	D32/70
D645,629 S *	9/2011	Powell	D32/70
D654,240 S *	2/2012	Choi et al.	D32/70

D659,928 S *	5/2012	Yan	D32/70
D659,929 S *	5/2012	Yan	D32/70
D660,537 S *	5/2012	Bock	D32/70

FOREIGN PATENT DOCUMENTS

EP	000216767-0001	8/2004
EP	000466511-0001	1/2006
EP	000492590-0001	3/2006
EP	000623871-0001	11/2006
EP	001182232-0001	12/2009

OTHER PUBLICATIONS

U.S. Appl. No. 29/404,680, filed Oct. 24, 2011, Massip et al.

U.S. Appl. No. 29/404,683, filed Oct. 24, 2011, Spatz et al.

* cited by examiner

Primary Examiner — Austin Murphy

(74) *Attorney, Agent, or Firm* — Loeb & Loeb LLP

(57) **CLAIM**

The ornamental design for an electric steam iron, as shown and described.

DESCRIPTION

FIG. 1 is a side elevational view of an embodiment of an electric steam iron.

FIG. 2 is a side elevational view of the electric steam iron of FIG. 1 taken from FIG. 1.

FIG. 3 is a front elevational view of the electric steam iron of FIG. 1.

FIG. 4 is a back elevational view of the electric steam iron of FIG. 1.

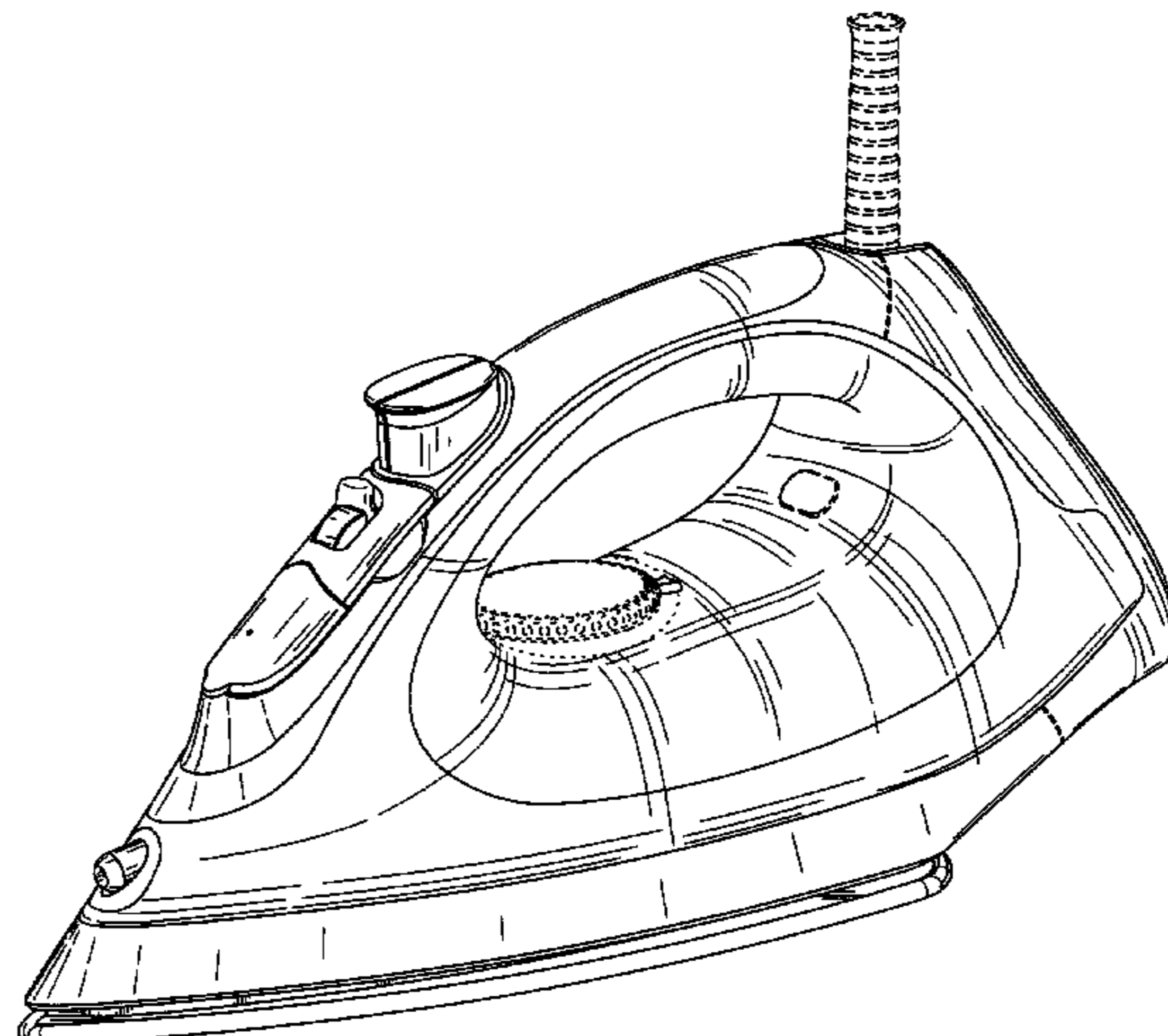
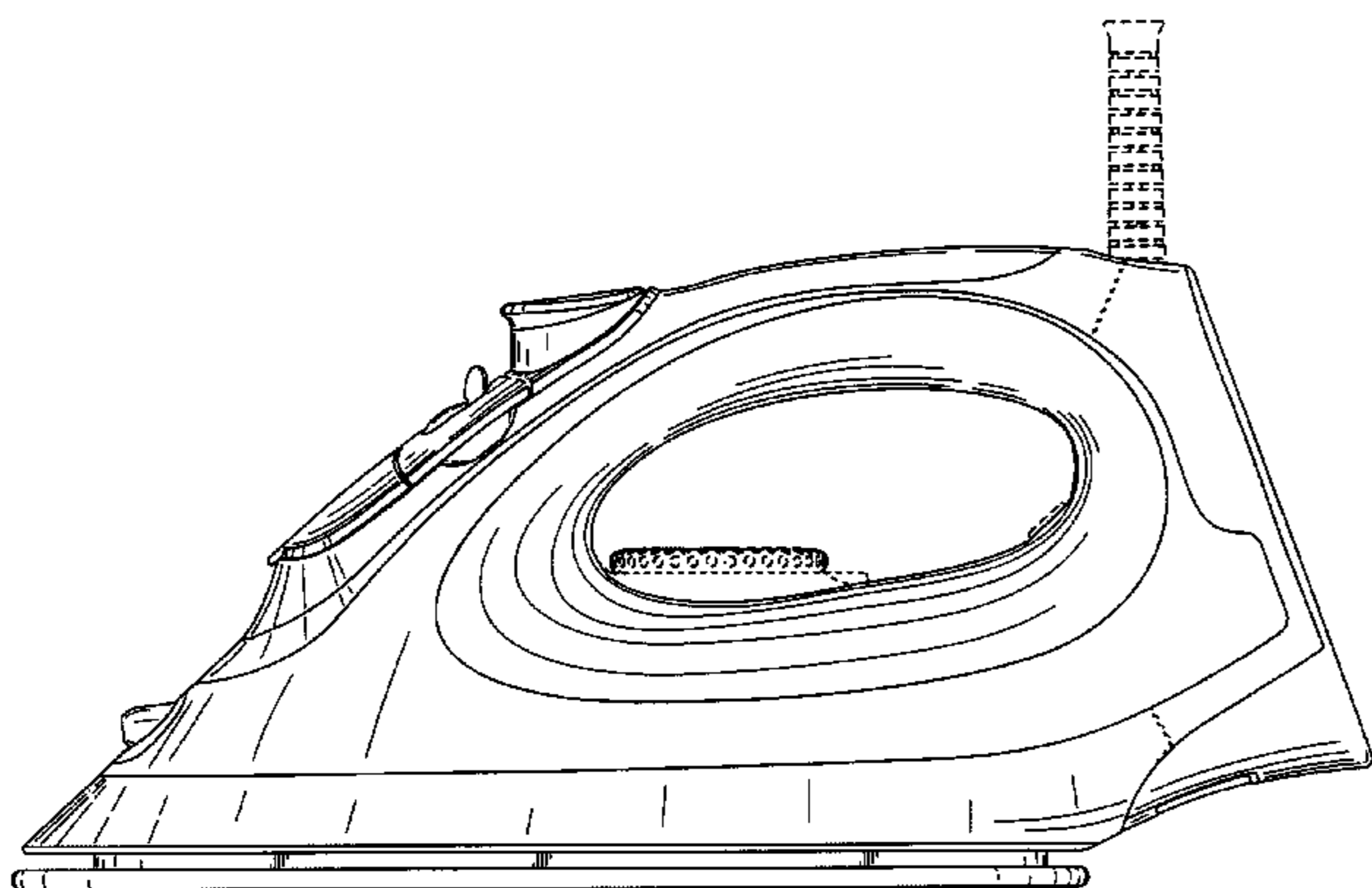
FIG. 5 is a top plan view of the electric steam iron of FIG. 1.

FIG. 6 is bottom plan view of the electric steam iron of FIG. 1; and,

FIG. 7 is a perspective view of the electric steam iron of FIG. 1.

The broken lines appearing in the figures are for the purpose of illustrating the environmental structure of the article of the claimed design and form no part of the claimed design.

1 Claim, 7 Drawing Sheets



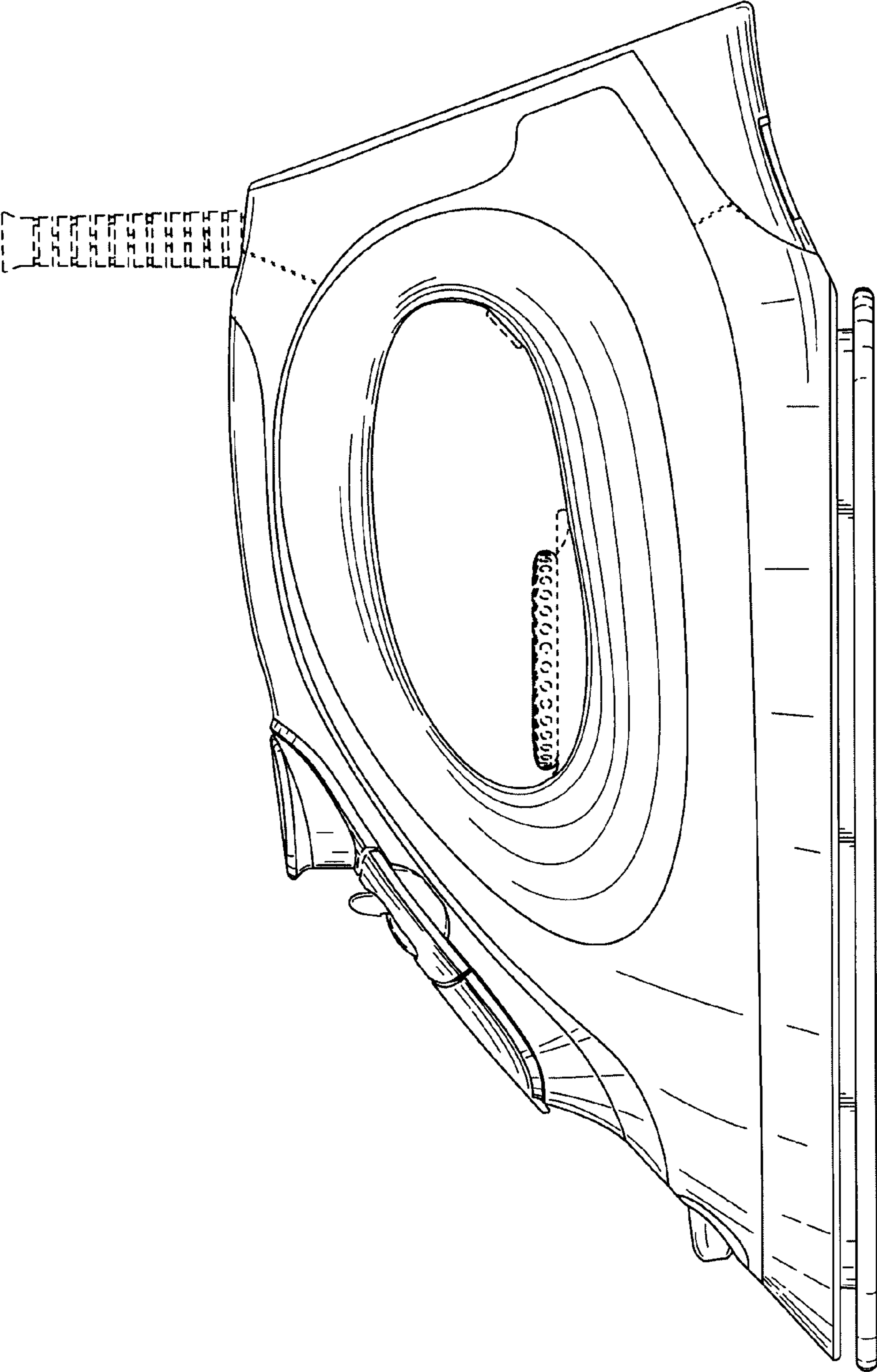


FIG. 1

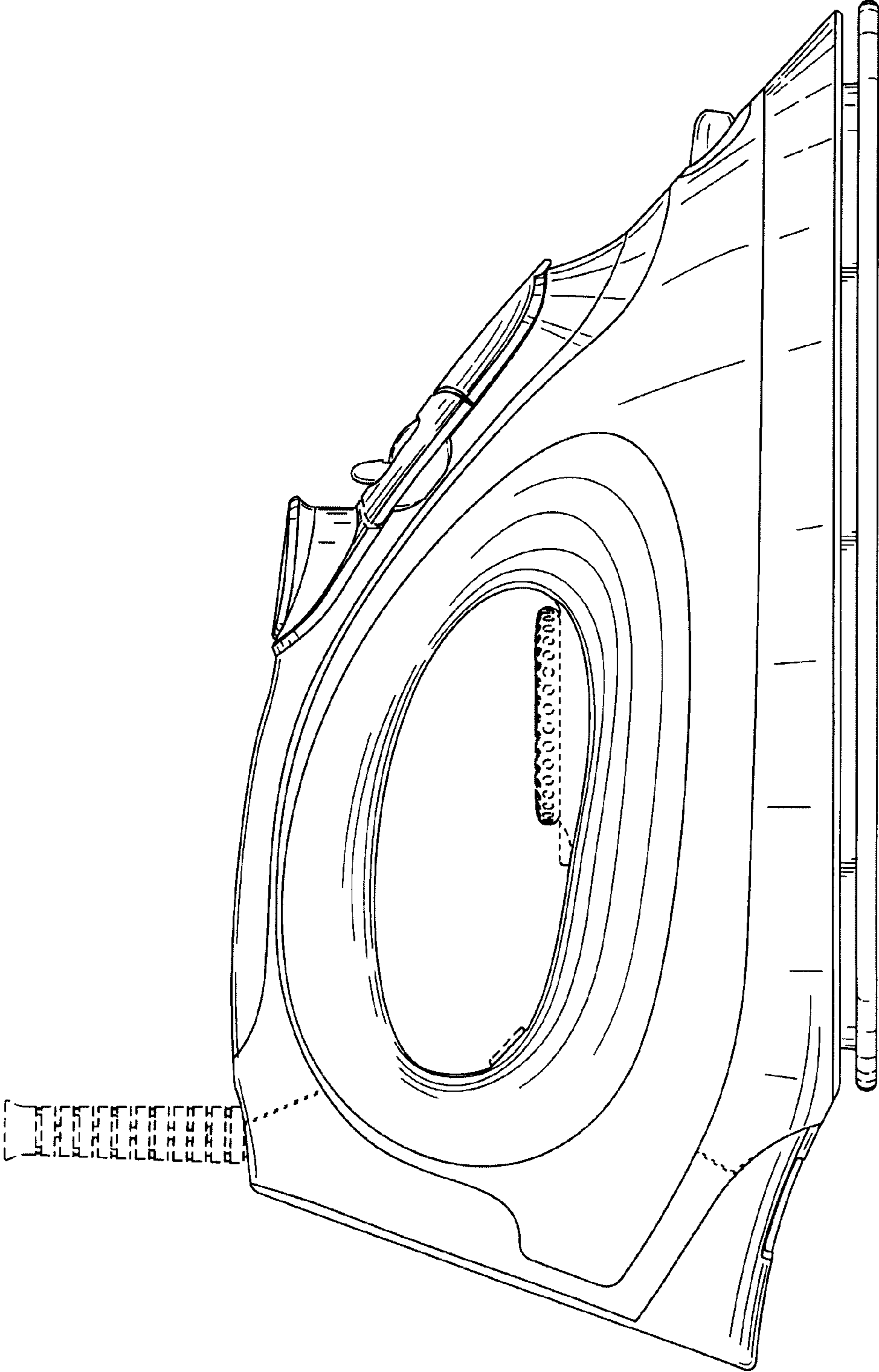


FIG. 2

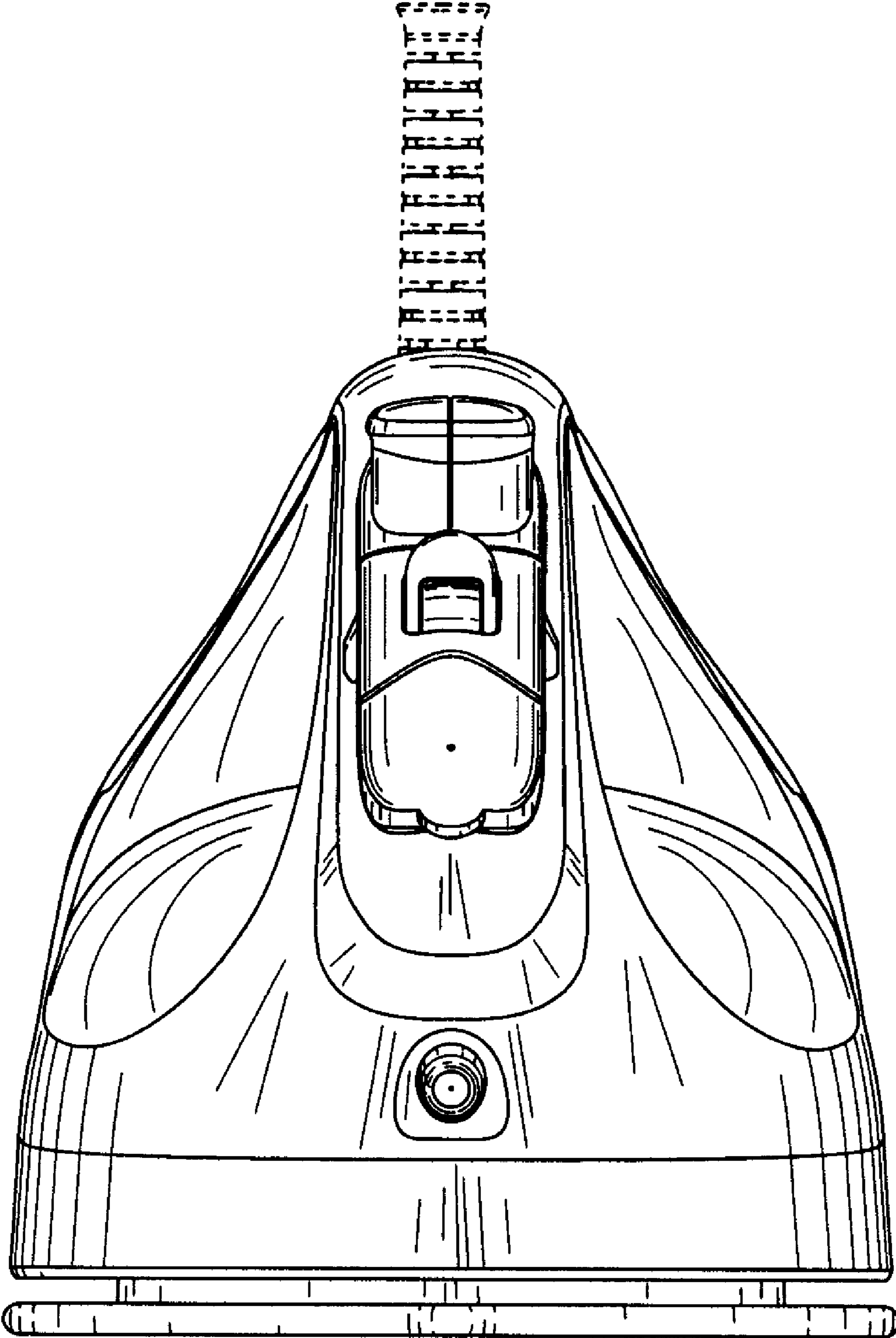


FIG. 3

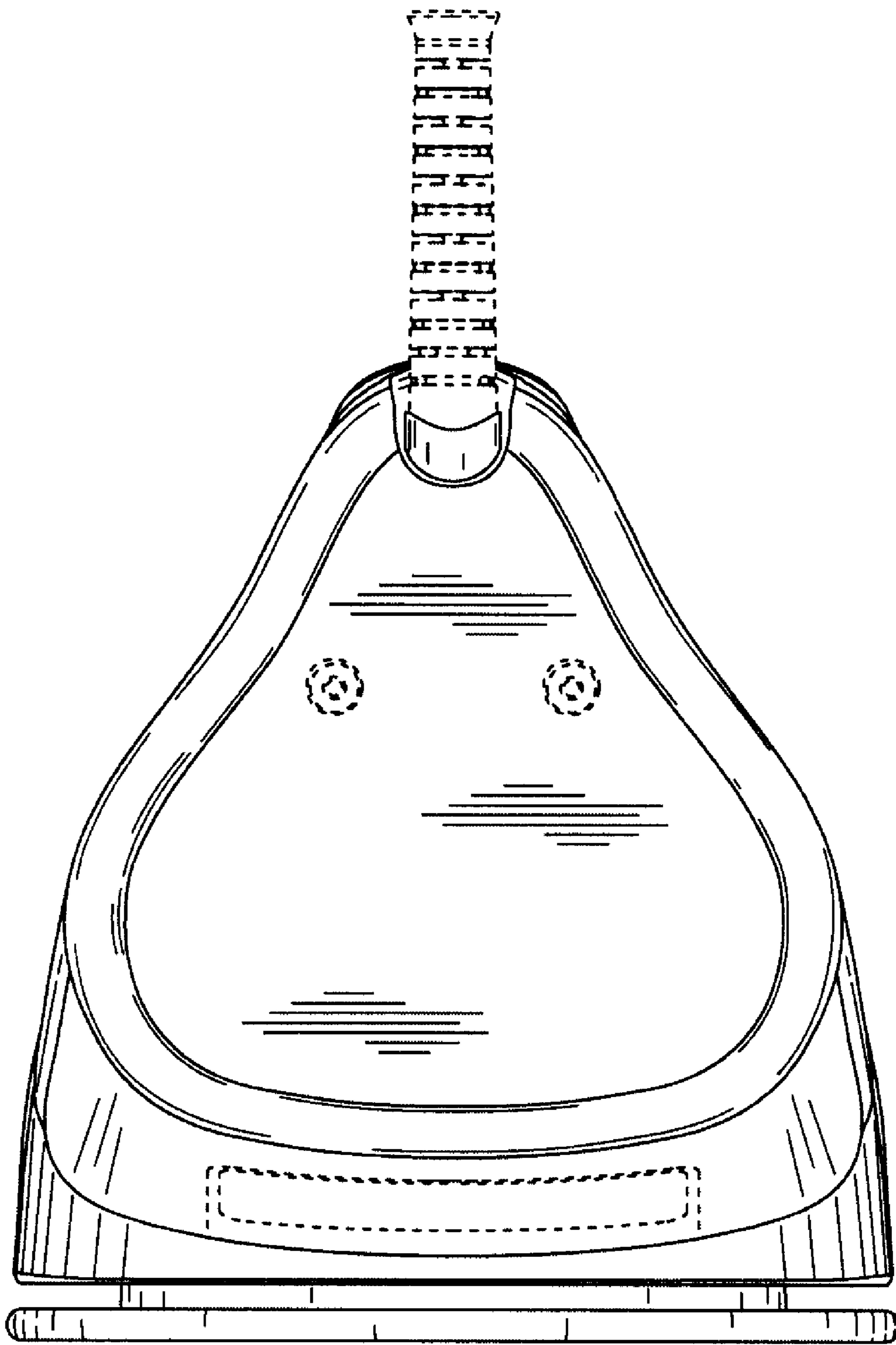


FIG. 4

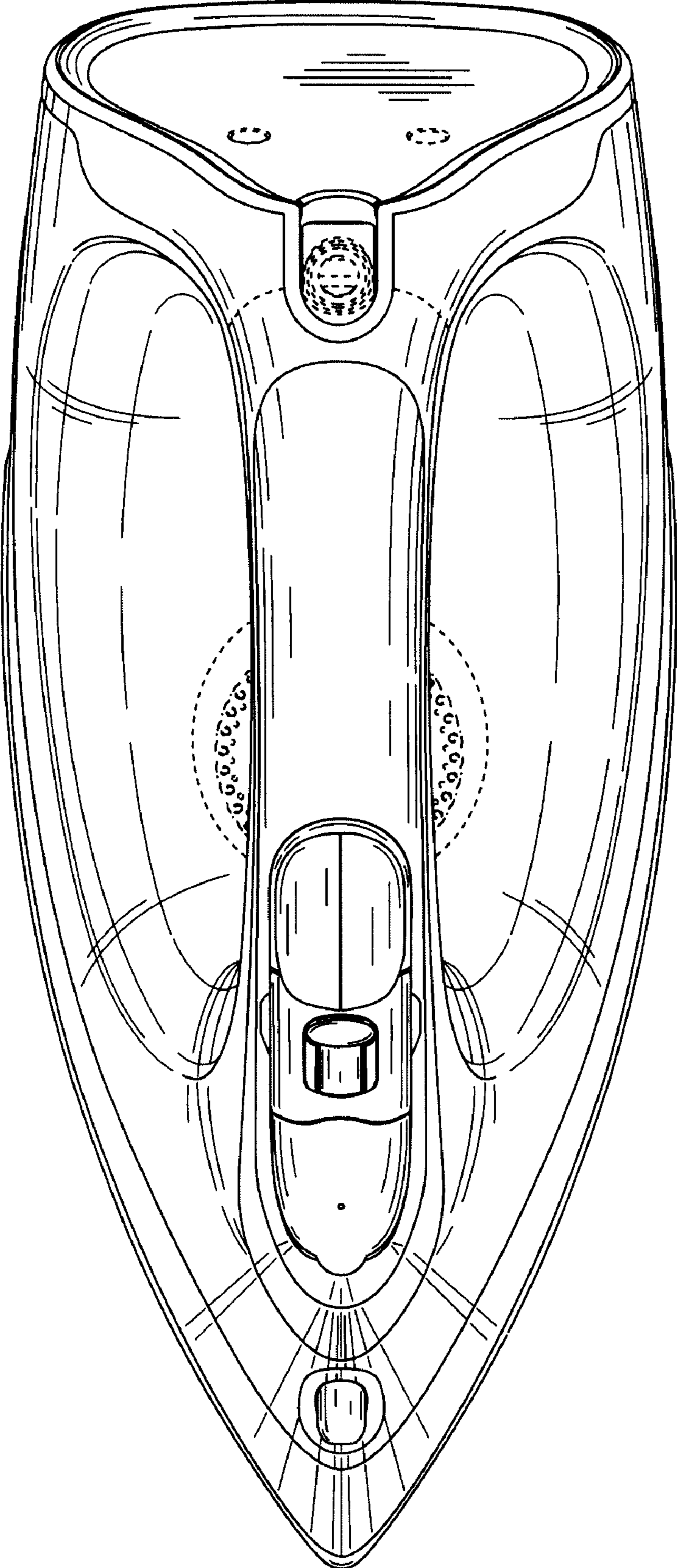


FIG. 5

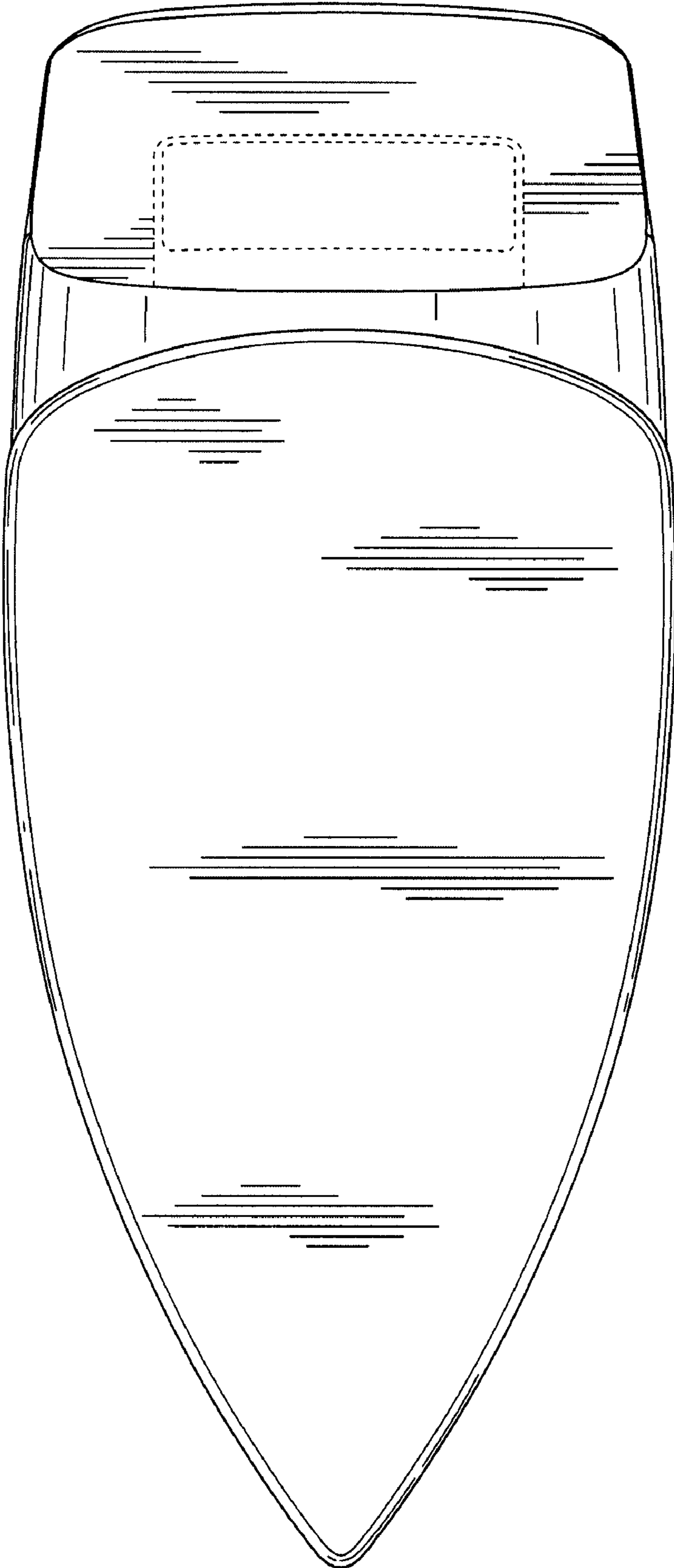


FIG. 6

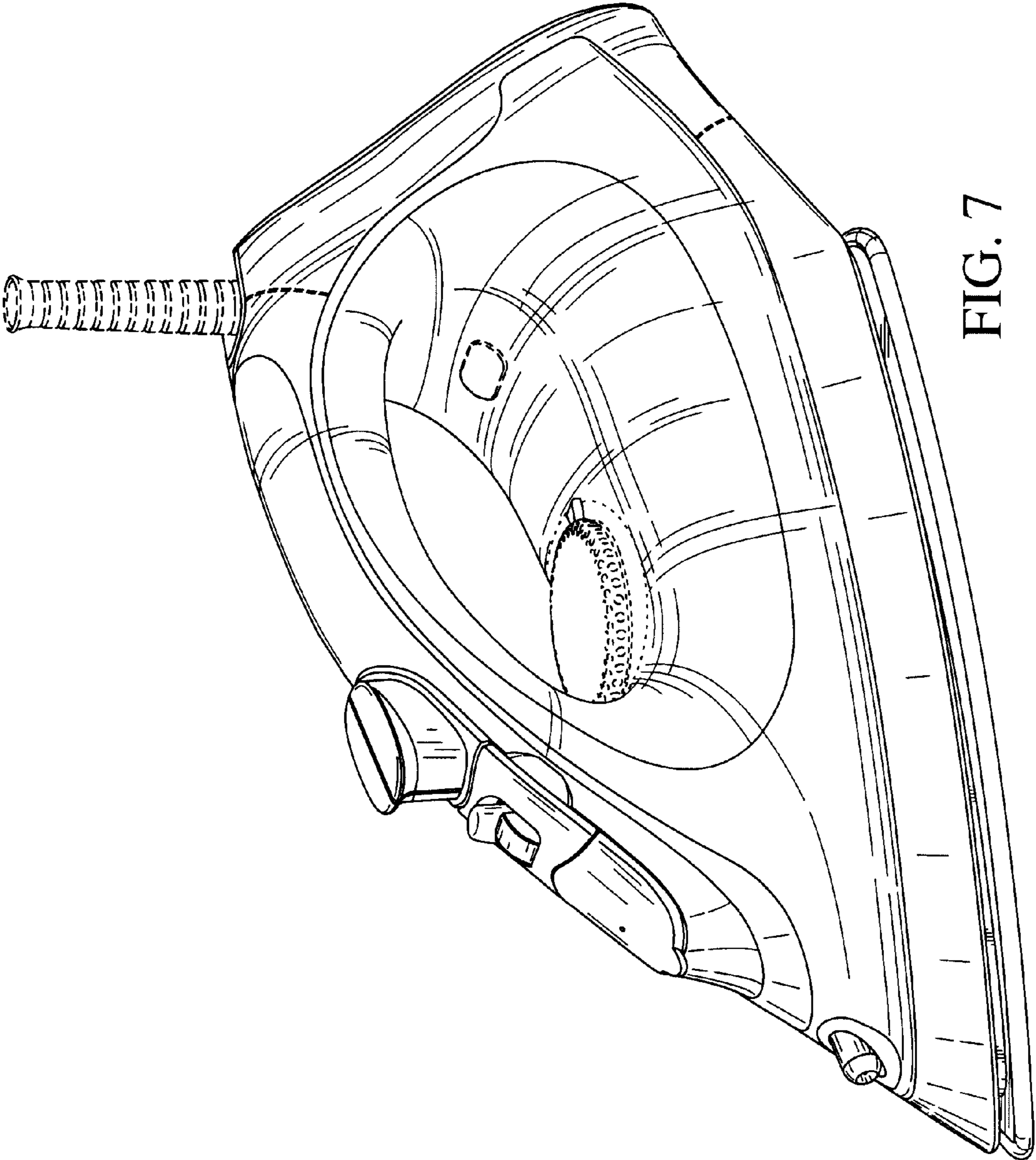


FIG. 7