



US00D667597S

(12) **United States Design Patent**  
**Dammkoehler**

(10) **Patent No.:** **US D667,597 S**  
(45) **Date of Patent:** **\*\* Sep. 18, 2012**

- (54) **VACUUM CLEANER**
- (75) Inventor: **Denis Dammkoehler**, Backnang (DE)
- (73) Assignee: **Alfred Kaercher GmbH & Co., KG**, Winnenden (DE)
- (\*\*) Term: **14 Years**
- (21) Appl. No.: **29/373,348**
- (22) Filed: **Mar. 30, 2011**
- (30) **Foreign Application Priority Data**

Oct. 8, 2010 (WO) ..... DM/074 574

- (51) **LOC (9) Cl.** ..... **15-05**
- (52) **U.S. Cl.** ..... **D32/21**
- (58) **Field of Classification Search** ..... D32/17-18, D32/21, 23-24, 31-34; 15/327.1-327.7, 15/320-321, 323, 353, 344, 329, 347, 246.2, 15/246.4, 301, 310, 313, 414, 328, 415.1-422.1; 210/167.16, 167.17; 285/7; 55/DIG. 3, 337, 55/345, 459.1, 429

See application file for complete search history.

(56) **References Cited**

**U.S. PATENT DOCUMENTS**

D333,195 S *	2/1993	Oberdorfer-Bogel	.....	D32/23
D333,890 S *	3/1993	Oberdorfer-Bogel	.....	D32/23
D334,258 S *	3/1993	Oberdorfer-Bogel	.....	D32/23
D446,612 S *	8/2001	Kohler	.....	D32/21
D506,042 S *	6/2005	Griffin et al.	.....	D32/21
D581,111 S *	11/2008	DiPasquale	.....	D32/21
D581,608 S *	11/2008	Dammkoehler et al.	.....	D32/21
D633,665 S *	3/2011	Dammkoehler	.....	D32/21
8,056,182 B2 *	11/2011	Day	.....	15/321
D655,874 S *	3/2012	Dammkoehler	.....	D32/24
8,127,397 B2 *	3/2012	Hess et al.	.....	15/323

**OTHER PUBLICATIONS**

Extract from catalog of Alfred Kaercher GmbH & Co. KG, "Programme 2006", cover, pp. 135, 138-145 and last page (Dec. 2005).

Extract from catalog of Alfred Kaercher GmbH & Co. KG, "Programme 2007", cover, pp. 61, 63, 153, 155, 159-166 and last page (Jan. 2007).

Extract from catalog of Alfred Kaercher GmbH & Co. KG, "Programme 2008", cover, pp. 65, 67, 159, 167-174 and last page (Dec. 2007).

Extract from catalog of Alfred Kaercher GmbH & Co. KG, "Programme 2009 Kaercher Professional Commercial", cover, pp. 85-87, 94-101 and last page (Mar. 2009).

Extract from catalog of Alfred Kaercher GmbH & Co. KG, "Programme 2009 Kaercher Residential", cover, pp. 81, 83, 86-87 and last page (Mar. 2009).

Extract from catalog of Alfred Kaercher GmbH & Co. KG, "Programme 2010 Kaercher Home & Garden", cover, pp. 80-85, 89 and last page (Nov. 2009).

Extract from catalog of Alfred Kaercher GmbH & Co. KG, "Programme 2010 Kaercher Professional", cover, pp. 94-105 and last page (Nov. 2009).

\* cited by examiner

*Primary Examiner* — Ruth McInroy

(74) *Attorney, Agent, or Firm* — Lipsitz & McAllister, LLC

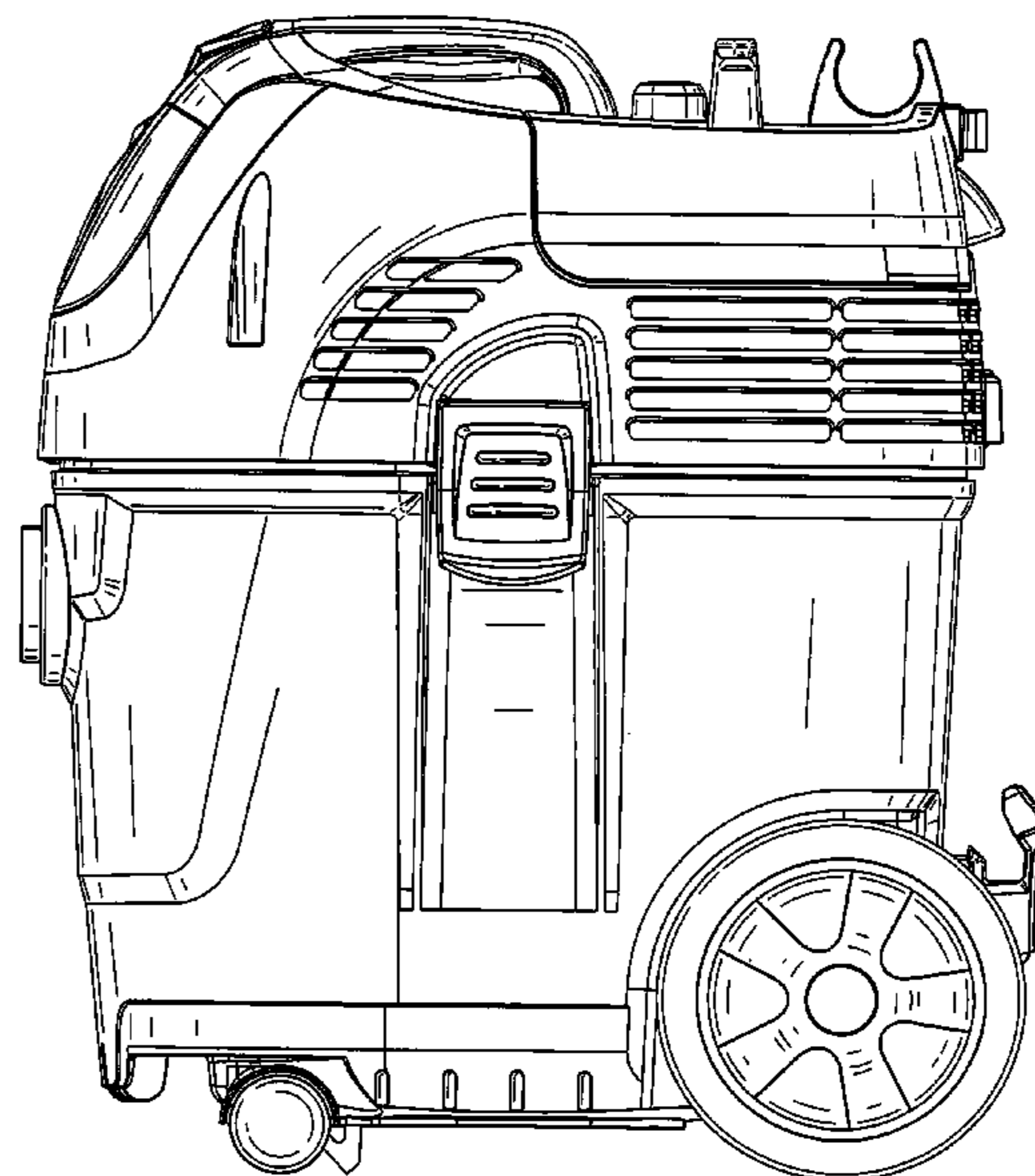
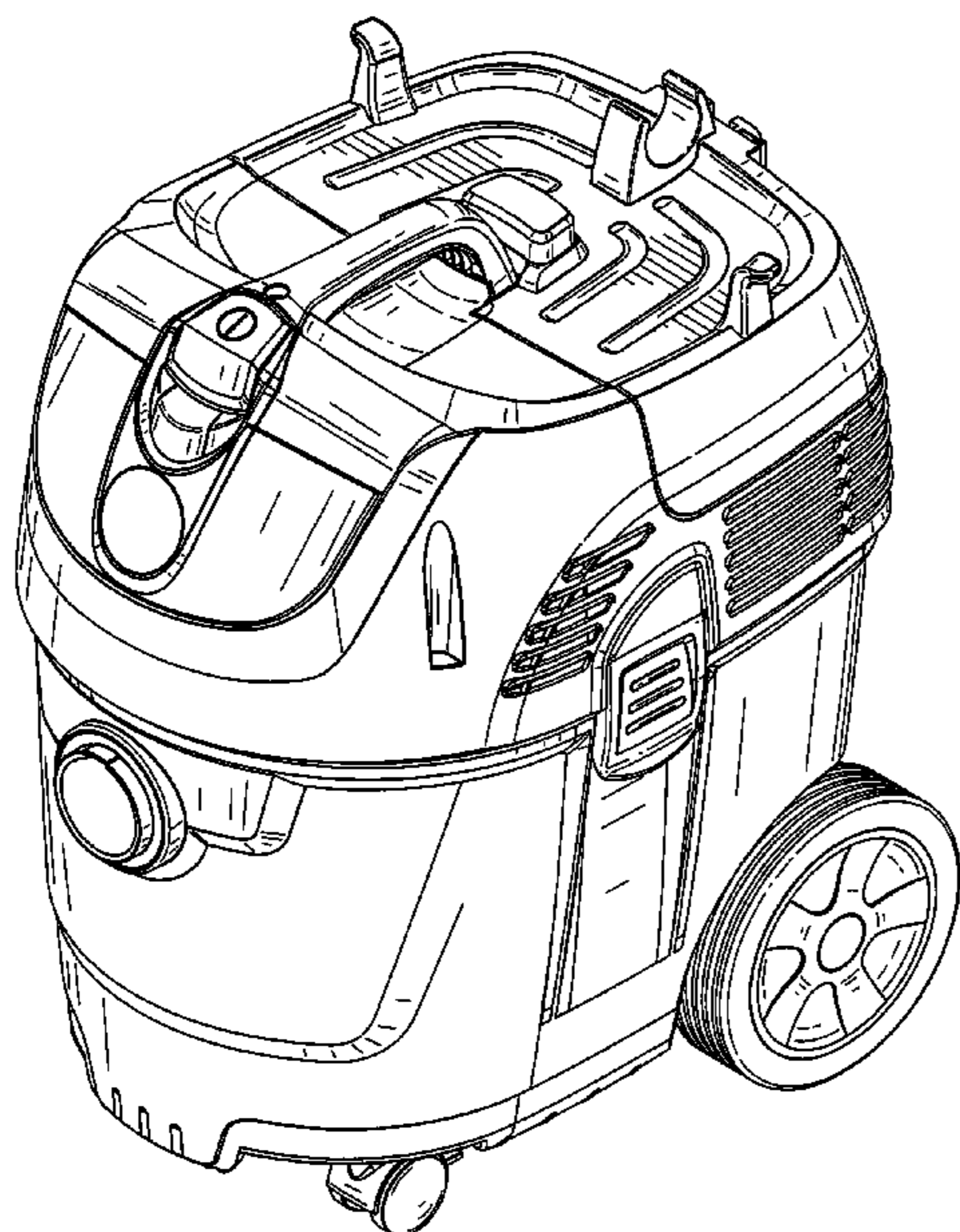
(57) **CLAIM**

The ornamental design for a vacuum cleaner, as shown and described.

**DESCRIPTION**

FIG. 1 is a front, top and right side perspective view of a vacuum cleaner showing my new design; FIG. 2 is a front, top and left side perspective view thereof; FIG. 3 is a front elevational view thereof; FIG. 4 is a right side elevational view thereof; FIG. 5 is a rear elevational view thereof; FIG. 6 is a left side elevational view thereof; and, FIG. 7 is a top plan view thereof.

**1 Claim, 7 Drawing Sheets**



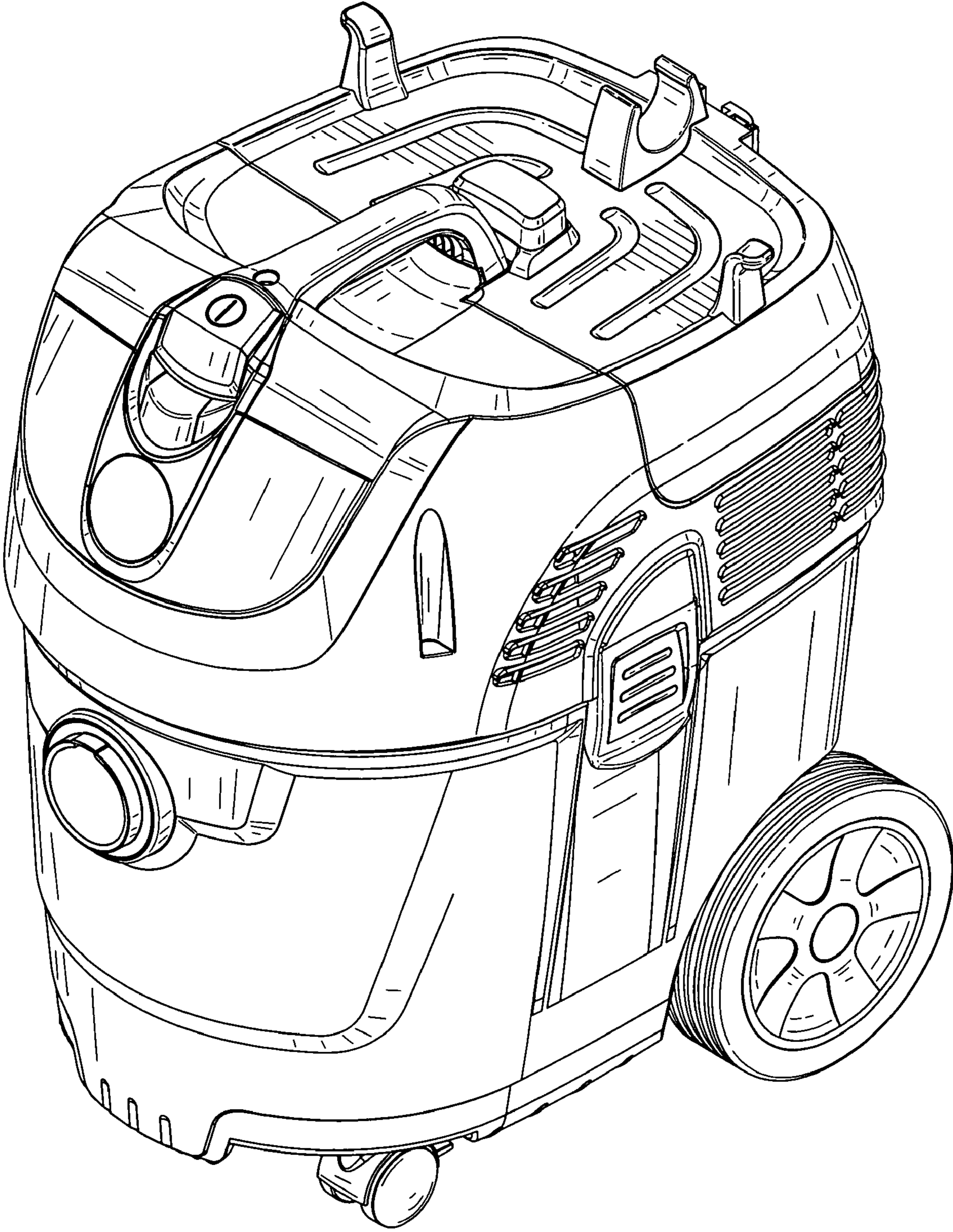


FIG. 1

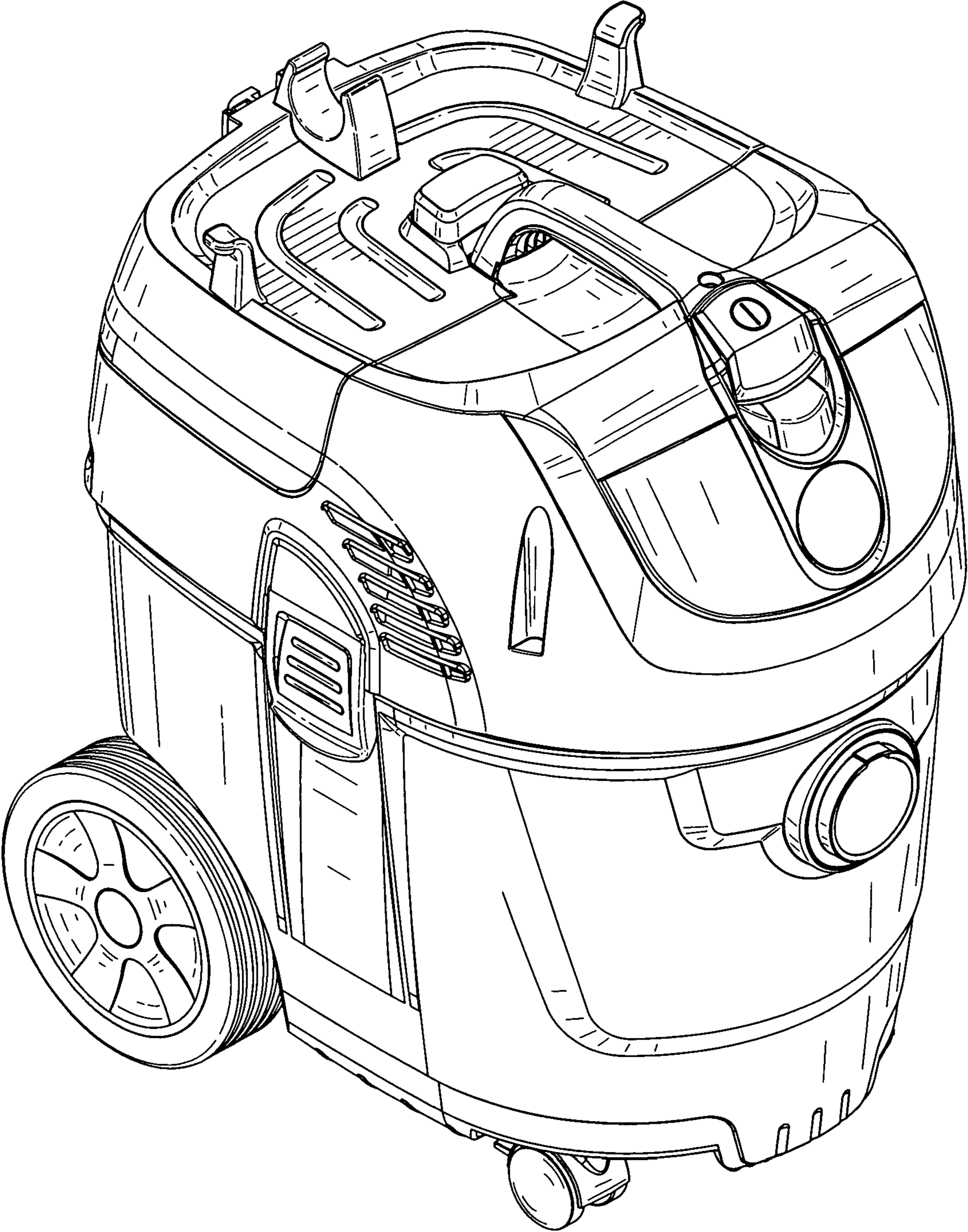


FIG. 2

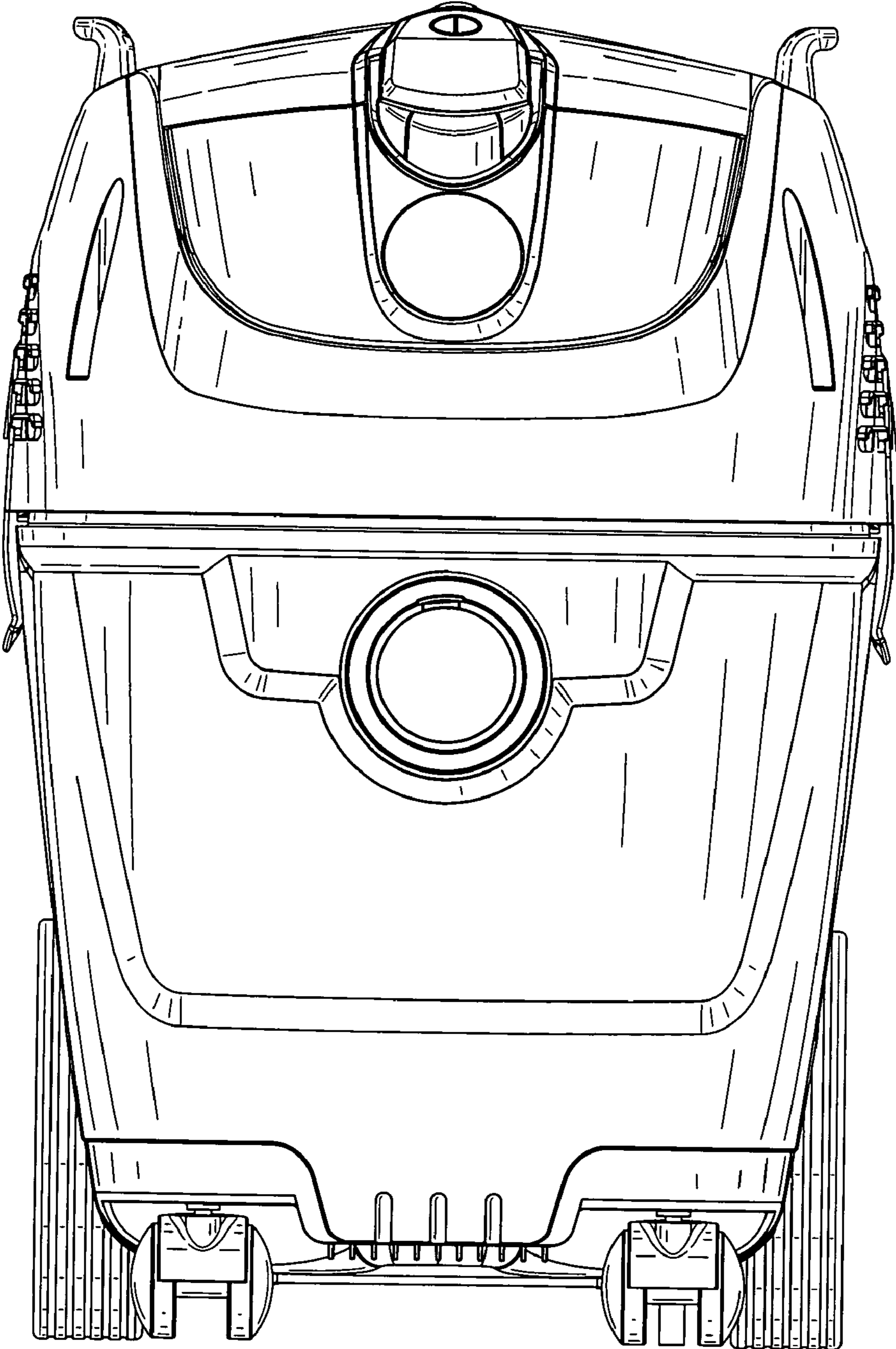


FIG. 3

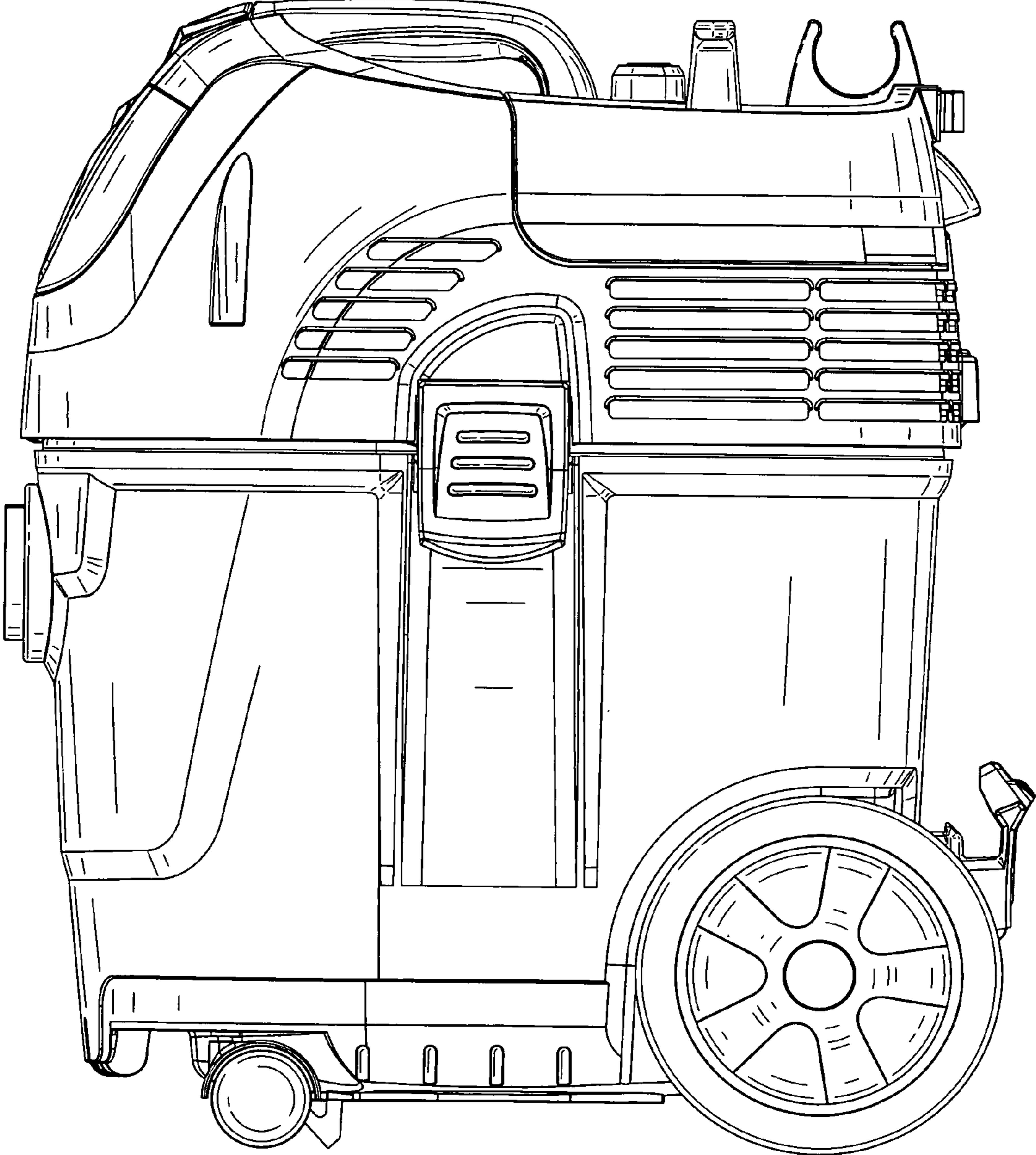


FIG. 4

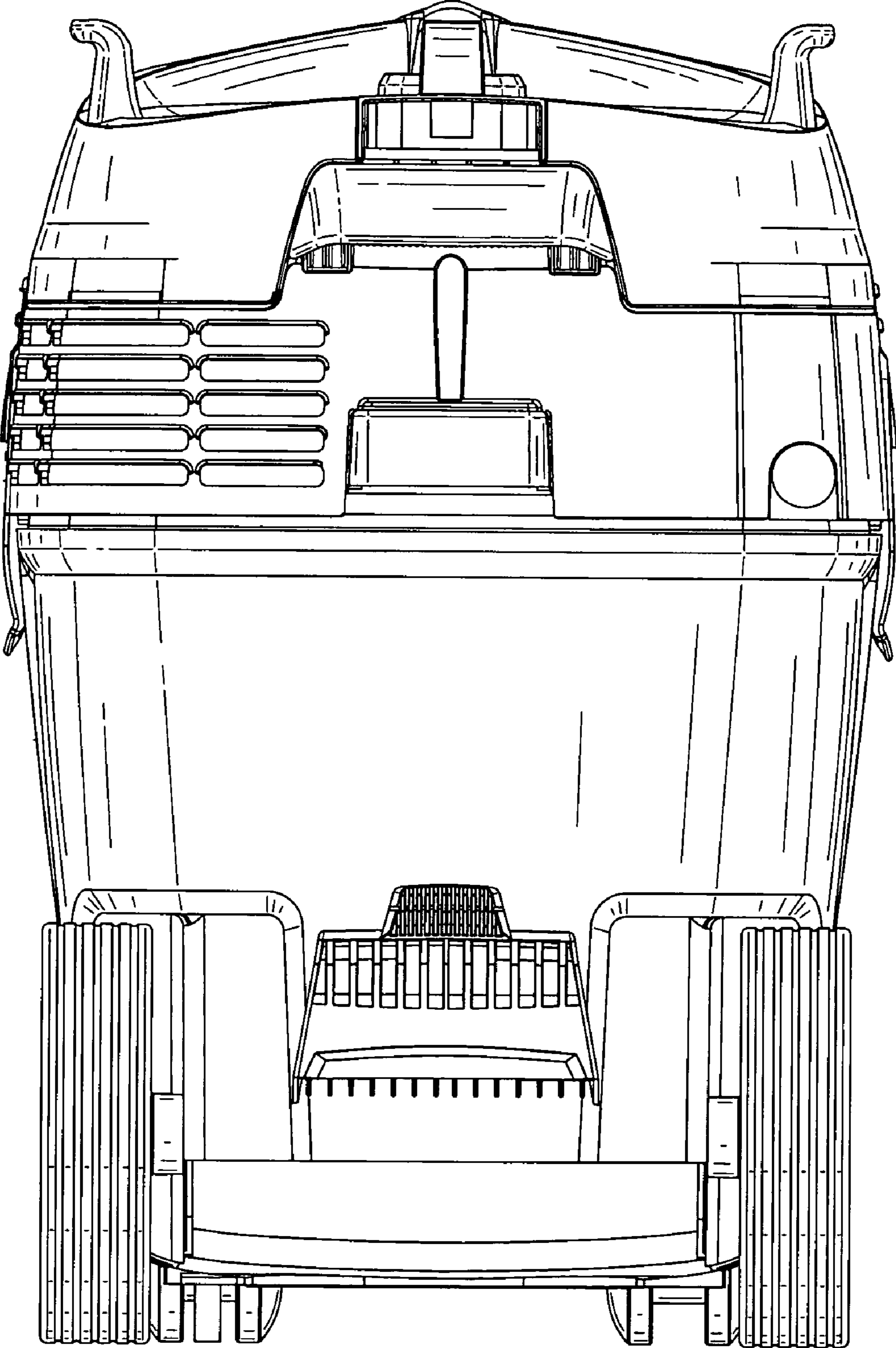


FIG. 5

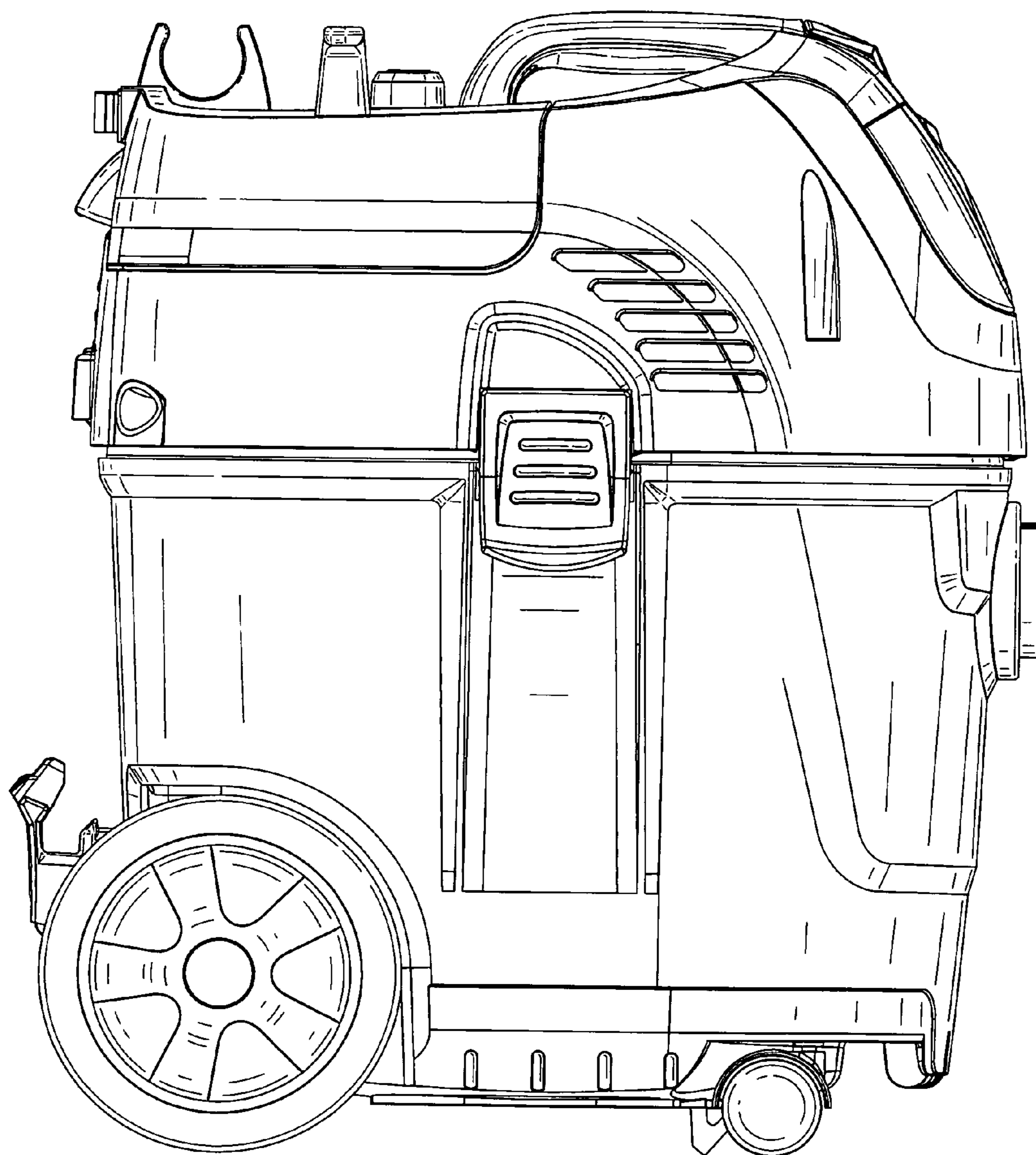


FIG. 6

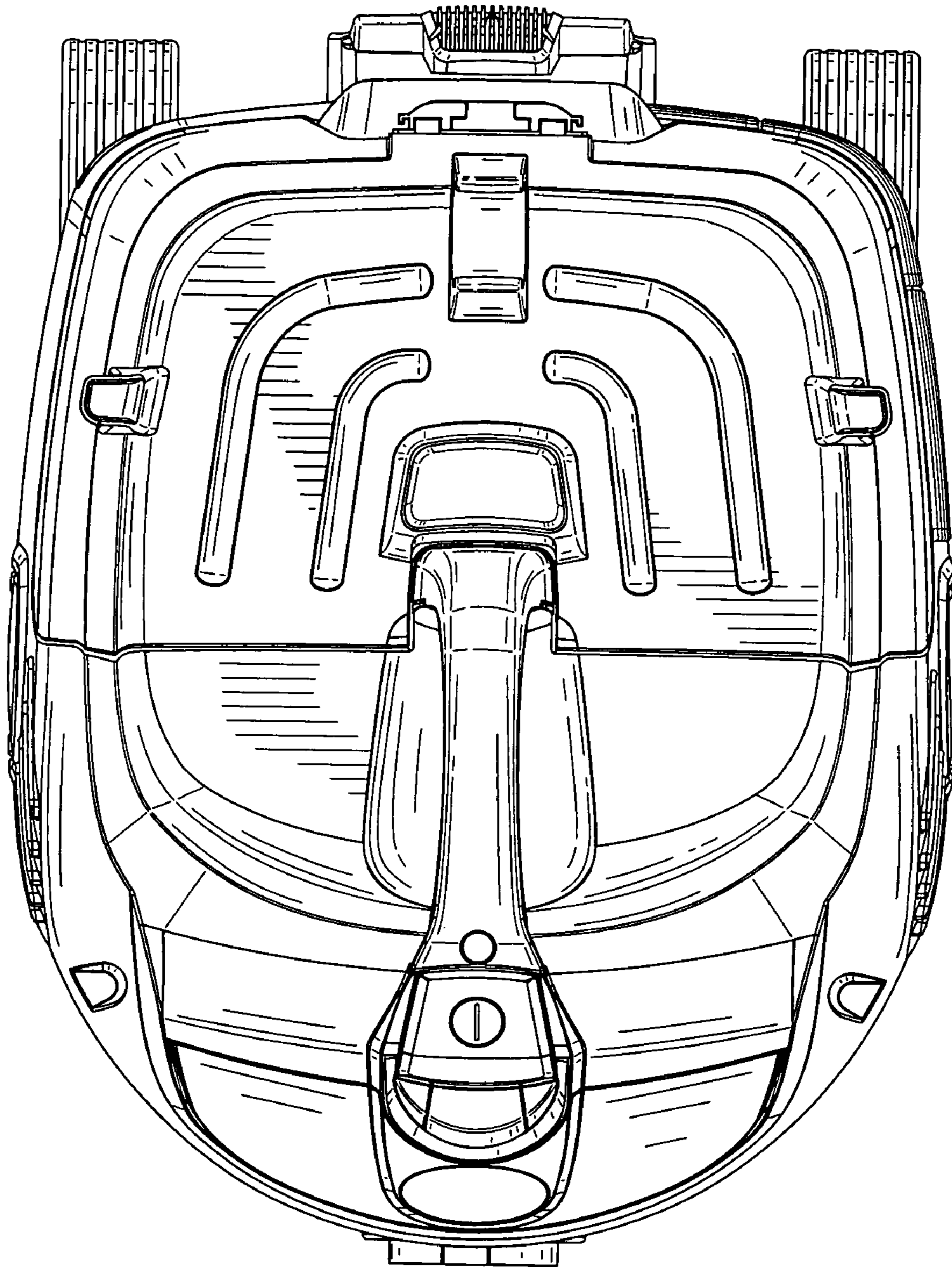


FIG. 7



UNITED STATES PATENT AND TRADEMARK OFFICE  
**CERTIFICATE OF CORRECTION**

PATENT NO. : D667,597 S  
APPLICATION NO. : 29/373348  
DATED : September 18, 2012  
INVENTOR(S) : D. Dammkoehler

Page 1 of 1

It is certified that error appears in the above-identified patent and that said Letters Patent is hereby corrected as shown below:

Title Page, the Assignee name is corrected to read:

(73) Assignee: Alfred Kaercher GmbH & Co. KG,  
Winnenden (DE)

Signed and Sealed this  
Twelfth Day of March, 2013



Teresa Stanek Rea  
*Acting Director of the United States Patent and Trademark Office*