

US00D667595S

(12) **United States Design Patent**
Johnston

(10) **Patent No.:** **US D667,595 S**

(45) **Date of Patent:** **** Sep. 18, 2012**

(54) **FEED BALL**

(76) **Inventor:** **Joan Elizabeth Johnston**, Peyton, CO
(US)

(**) **Term:** **14 Years**

(21) **Appl. No.:** **29/390,166**

(22) **Filed:** **Apr. 20, 2011**

(51) **LOC (9) Cl.** **30-99**

(52) **U.S. Cl.** **D30/160; D30/121**

(58) **Field of Classification Search** **D30/120,**
D30/160, 199, 121; 119/702, 706-711, 54;
D21/713, 498-499, 505

See application file for complete search history.

(56) **References Cited**

U.S. PATENT DOCUMENTS

5,758,604	A *	6/1998	Jergensen	119/711
5,957,082	A *	9/1999	Budman et al.	119/54
6,073,581	A *	6/2000	Wang	119/711
6,484,671	B2 *	11/2002	Herrenbruck	119/707
7,591,234	B2 *	9/2009	Shatoff et al.	119/707
D639,515	S *	6/2011	Lui et al.	D30/121
D642,342	S *	7/2011	Shatoff et al.	D30/160
2005/0045115	A1 *	3/2005	Mann	119/711
2006/0060153	A1 *	3/2006	Washington et al.	119/707
2007/0068464	A1 *	3/2007	Smith et al.	119/709
2008/0121190	A1 *	5/2008	Moulton	119/710

OTHER PUBLICATIONS

<http://www.dog.com/item/buster-food-cube/311208/>*

* cited by examiner

Primary Examiner — Cathy A MacCormac

(74) *Attorney, Agent, or Firm* — QuickPatents, Inc.; Kevin Prince

(57) **CLAIM**

I claim the ornamental design for a feed ball, as shown and described.

DESCRIPTION

FIG. 1 is a perspective view of a feed ball, showing my new design;

FIG. 2 is a front elevational view thereof;

FIG. 3 is a rear elevational view thereof;

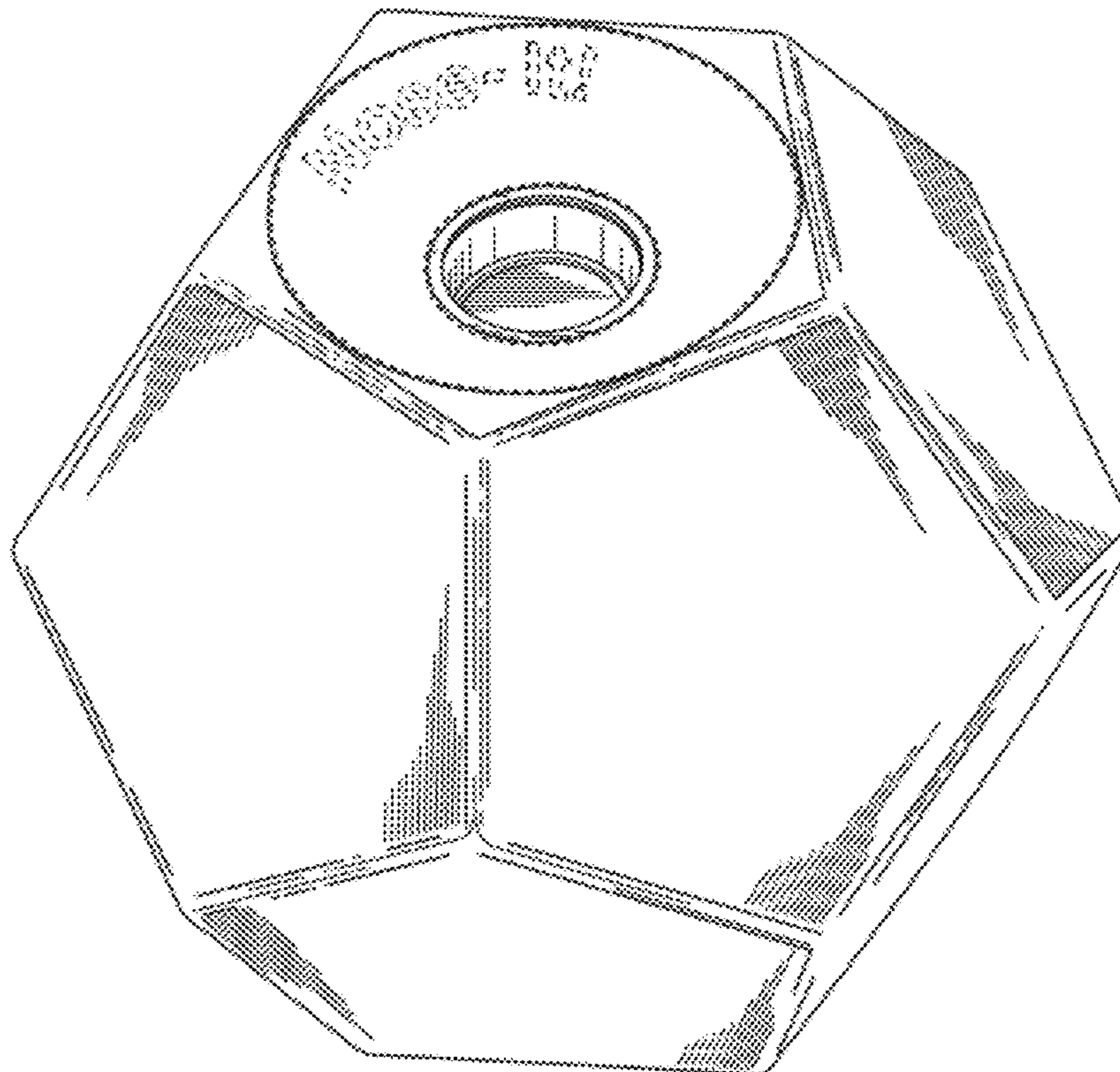
FIG. 4 is a left-side elevational view thereof, the right-side elevational view being a mirror image thereof;

FIG. 5 is a top plan view thereof; and,

FIG. 6 is a bottom plan view thereof.

The broken lines in FIGS. 1 and 5 depict environmental matter that forms no part of the claimed design.

1 Claim, 4 Drawing Sheets



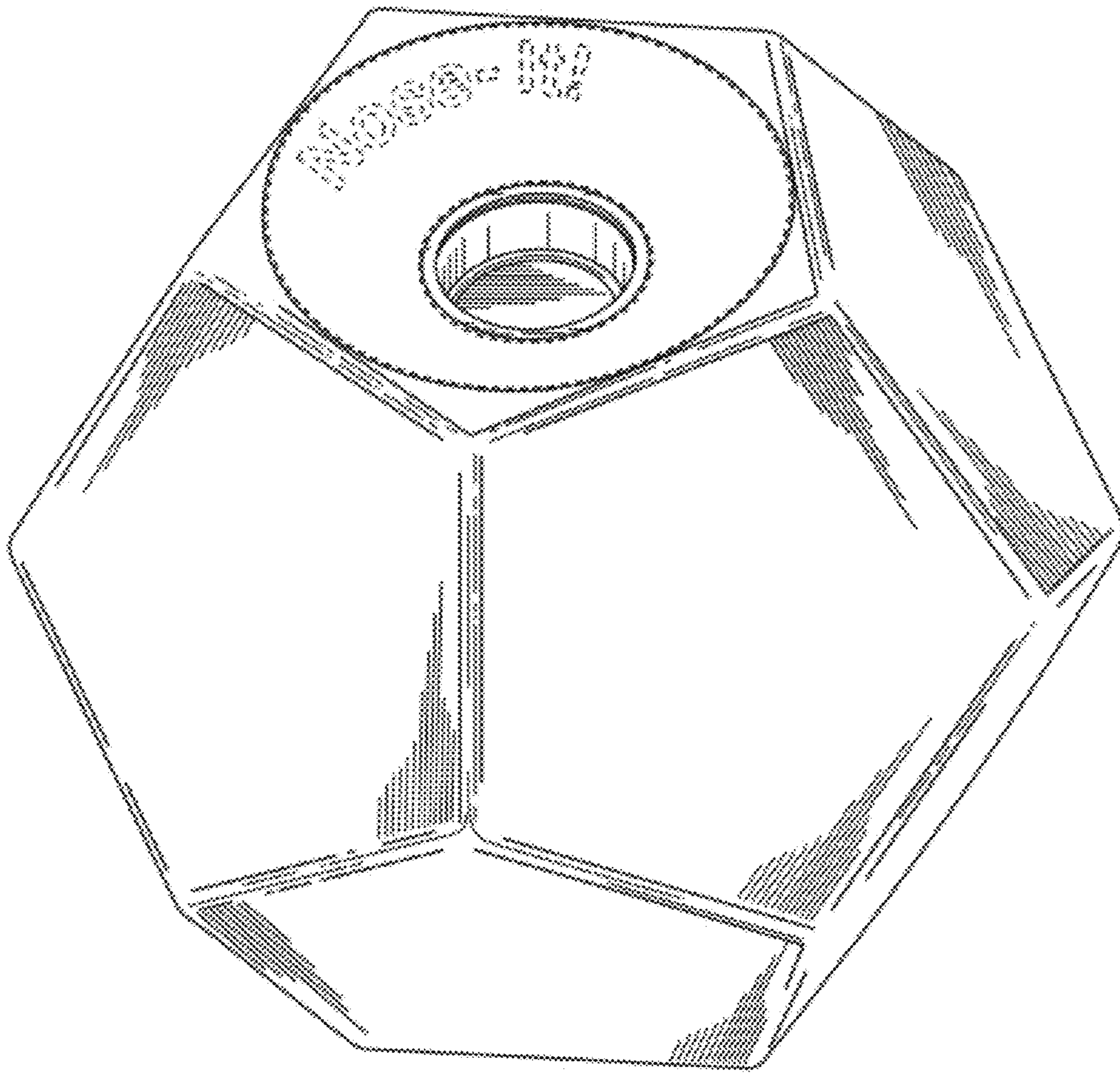


FIG. 1

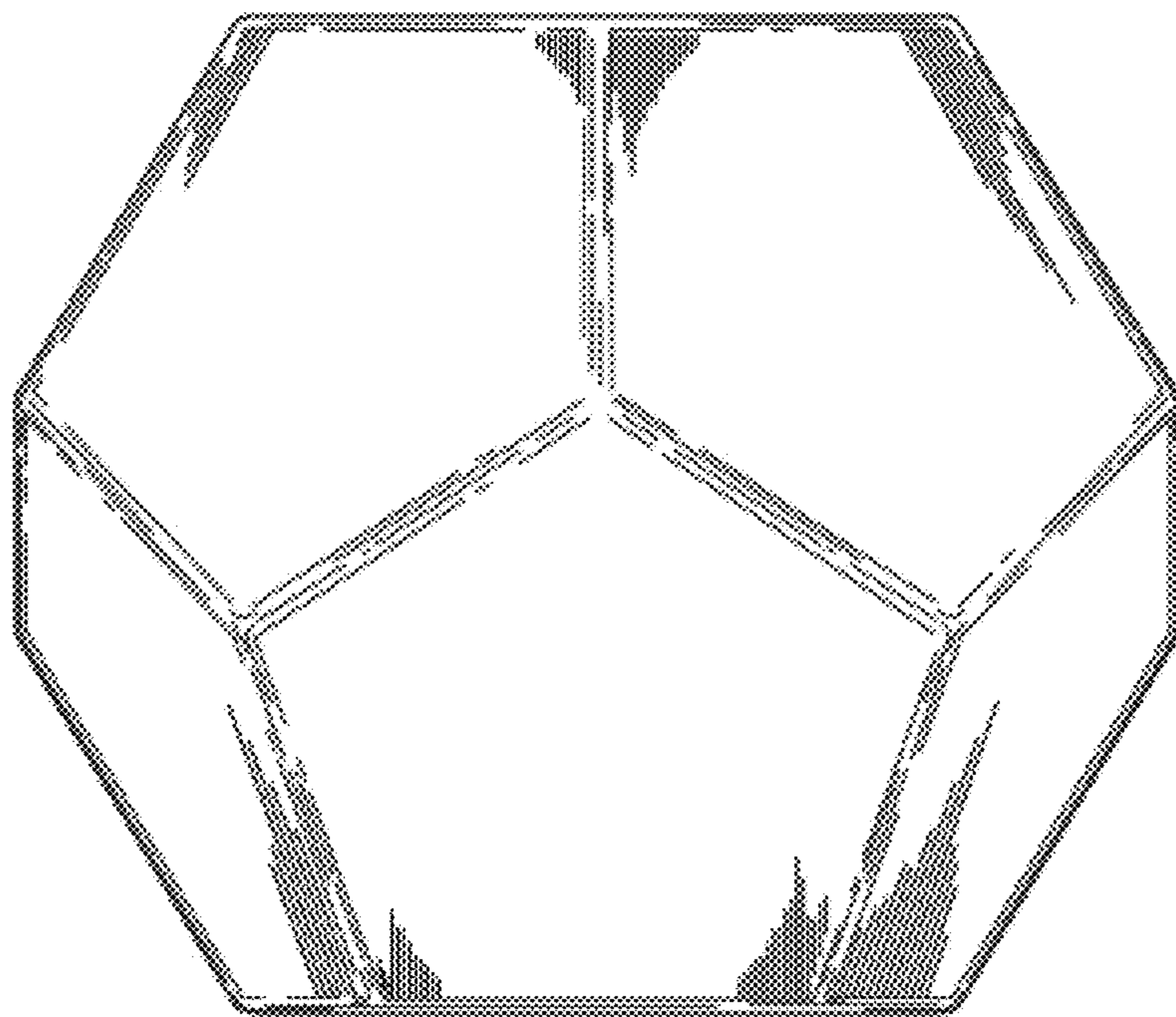


FIG. 2

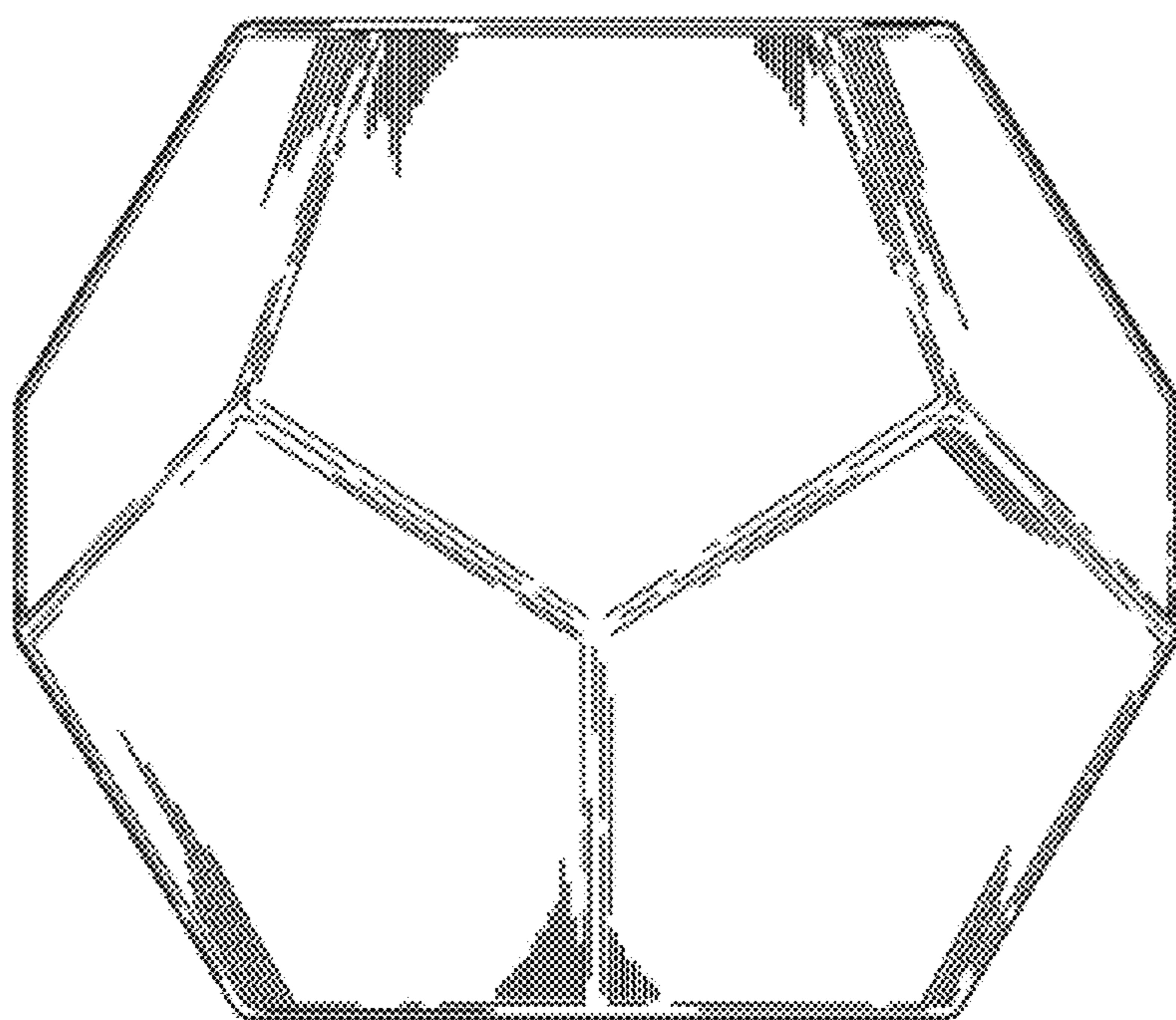


FIG. 3

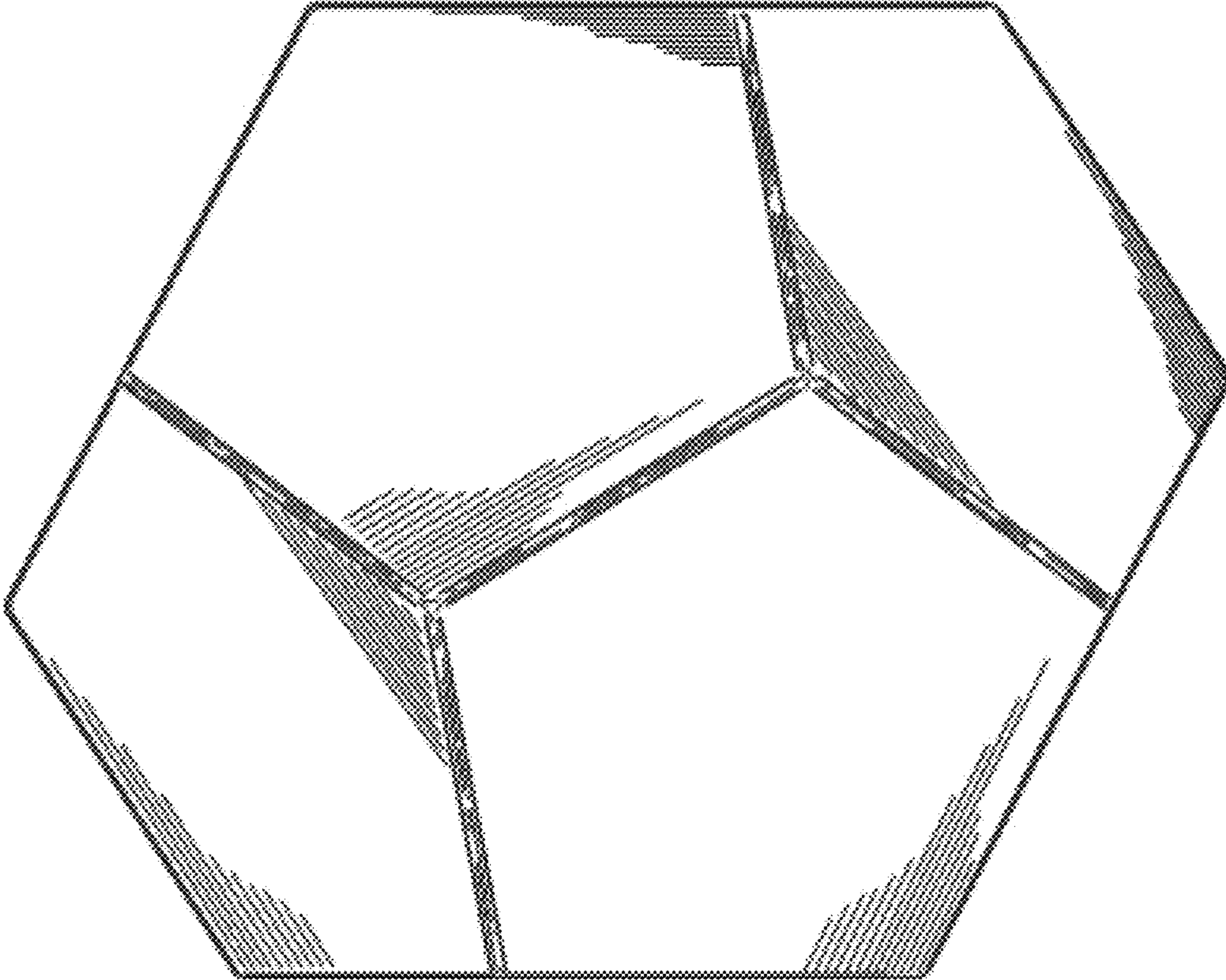


FIG. 4

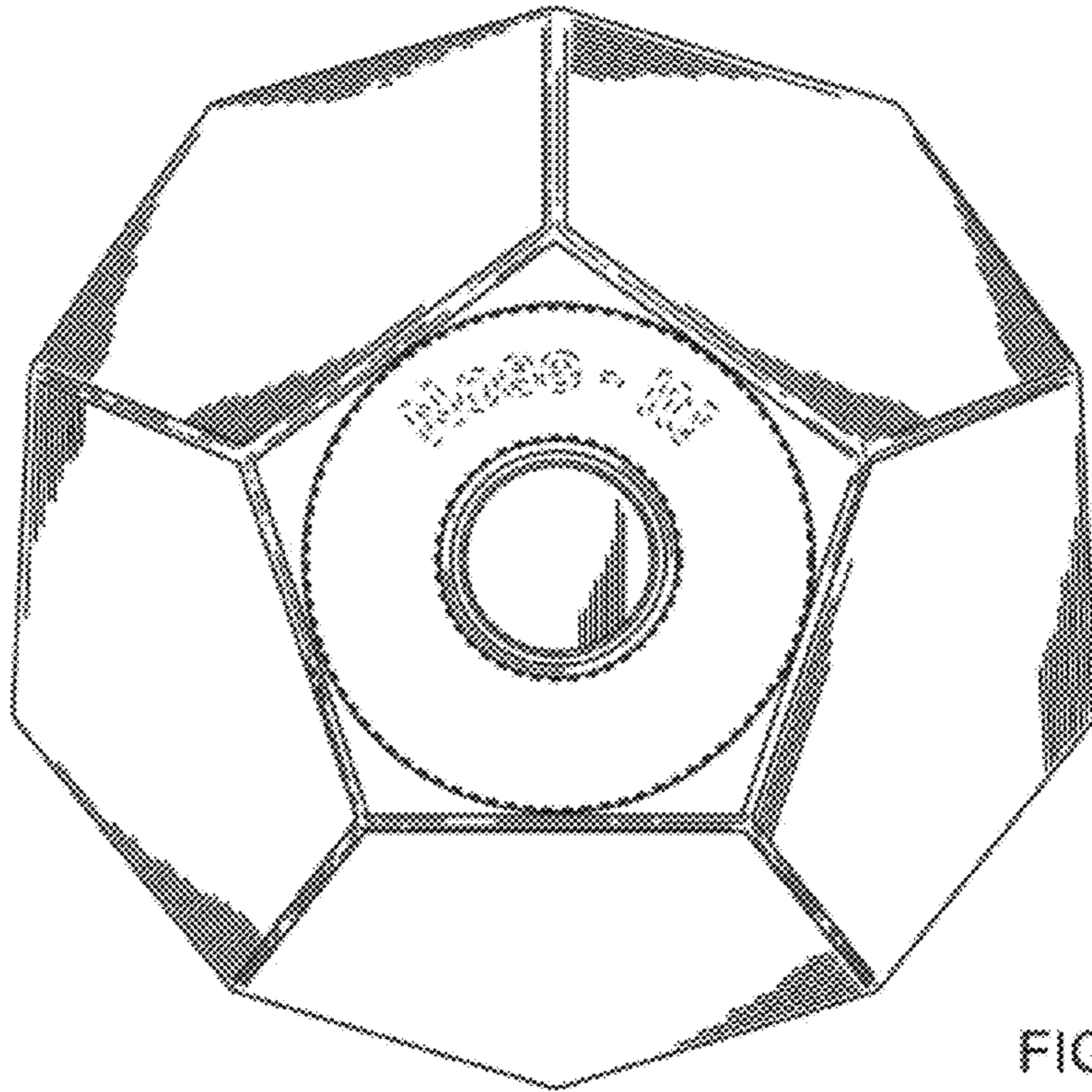


FIG. 5

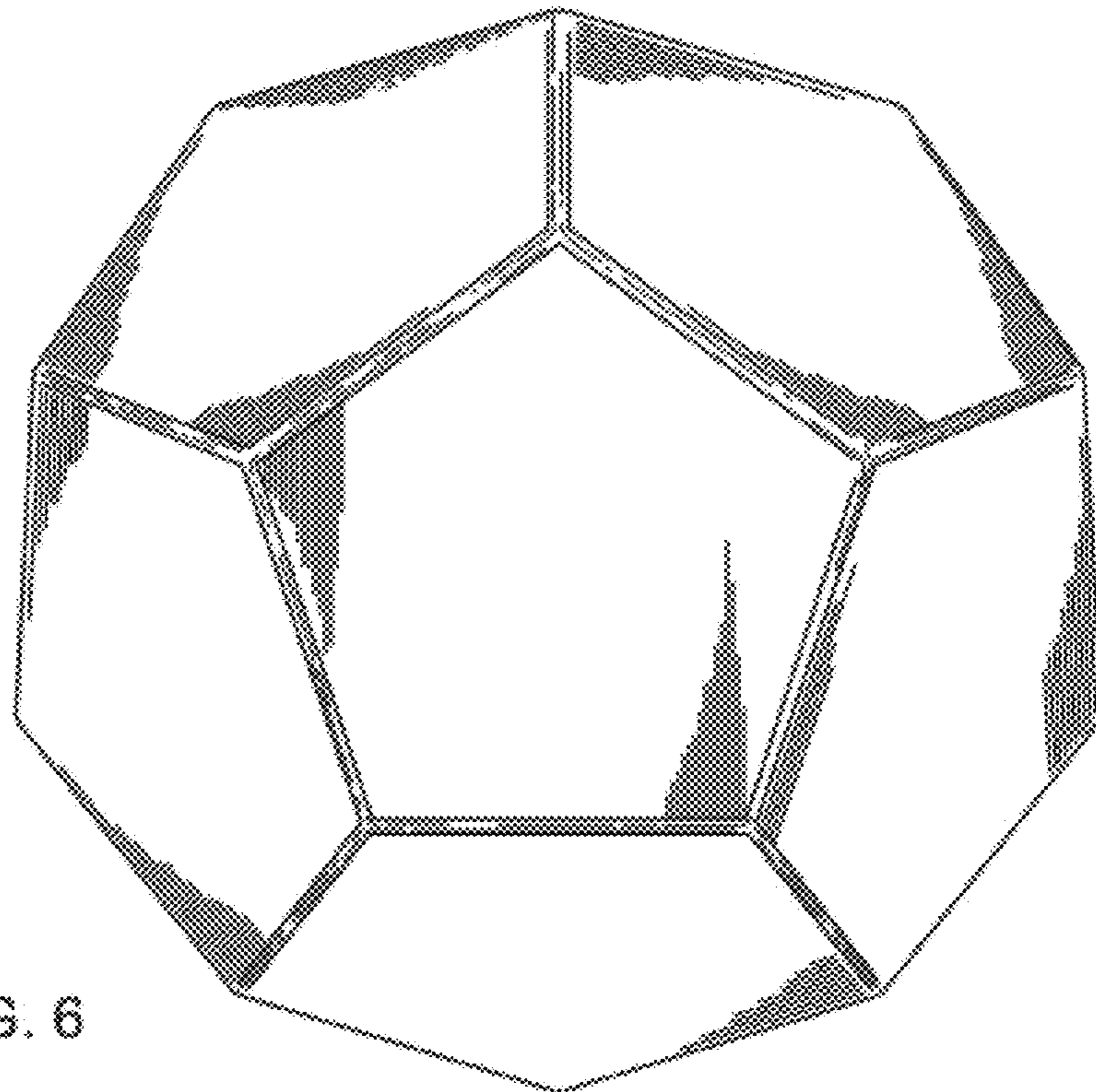


FIG. 6