



US00D667592S

(12) **United States Design Patent**
Vito

(10) **Patent No.:** **US D667,592 S**
(45) **Date of Patent:** **** Sep. 18, 2012**

- (54) **SHOCK-ABSORBING CAP**
- (75) Inventor: **Robert A. Vito**, Kennett Square, PA (US)
- (73) Assignee: **Matscitechno Licensing Company**, Kennett Square, PA (US)
- (**) Term: **14 Years**
- (21) Appl. No.: **29/424,486**
- (22) Filed: **Jun. 13, 2012**

Related U.S. Application Data

- (62) Division of application No. 29/393,685, filed on Jun. 8, 2011, now Pat. No. Des. 663,901.
- (51) **LOC (9) Cl.** **29-02**
- (52) **U.S. Cl.** **D29/122**
- (58) **Field of Classification Search** D29/100, D29/102, 105, 106, 108, 109, 122; D2/865, D2/866, 867, 870, 878, 880, 881, 891, 892, D2/894; 2/455, 410-425, 9, 171, 205, 5, 2/6.1, 6.6

See application file for complete search history.

References Cited

U.S. PATENT DOCUMENTS

- 3,153,792 A * 10/1964 Marietta 2/414
- 3,366,971 A * 2/1968 Scherz 2/412
- 3,551,911 A * 1/1971 Holden 2/411
- 3,609,764 A * 10/1971 Morgan 2/414
- 3,668,704 A * 6/1972 Conroy et al. 2/413
- 3,849,801 A 11/1974 Holt et al.
- 3,909,846 A * 10/1975 Zahn 2/416
- D267,287 S 12/1982 Gooding
- 4,432,099 A 2/1984 Grick et al.
- 4,443,891 A * 4/1984 Blomgren et al. 2/414
- 5,035,009 A 7/1991 Wingo, Jr. et al.
- 5,263,203 A 11/1993 Kraemer et al.
- D364,496 S * 11/1995 Lejuez D2/892
- 5,477,558 A 12/1995 Völker et al.
- 5,884,335 A * 3/1999 Whittaker 2/195.5

- 5,996,126 A * 12/1999 Barthold et al. 2/414
- D437,472 S * 2/2001 Ruscitti et al. D2/881
- D475,486 S 6/2003 Ide et al.
- D479,020 S 8/2003 Heinrich
- D521,191 S 5/2006 Berger
- D523,180 S 6/2006 Frye
- D570,055 S 5/2008 Ferrara et al.
- D577,866 S 9/2008 Frye et al.
- D604,461 S 11/2009 Goldman et al.
- D617,503 S 6/2010 Szalkowski et al.
- D621,099 S * 8/2010 Johnson et al. D29/122
- D637,356 S 5/2011 Green et al.
- D640,422 S * 6/2011 Green et al. D29/122
- 7,958,573 B2 * 6/2011 Lewis et al. 2/414
- D655,051 S * 2/2012 O'Keefe et al. D29/122
- D661,028 S * 5/2012 Hollingsworth D29/122
- D663,076 S * 7/2012 Parsons et al. D29/122
- D663,901 S * 7/2012 Vito D29/122
- 2005/0034215 A1 * 2/2005 Harrison et al. 2/207

* cited by examiner

Primary Examiner — Elizabeth J Oswecki
(74) *Attorney, Agent, or Firm* — RatnerPrestia

(57) **CLAIM**
The ornamental design for a shock-absorbing cap, as shown and described.

DESCRIPTION

FIG. 1 is a perspective view of a shock-absorbing cap showing my new design, with an attachment assembly shown disconnected;

FIG. 2 is a bottom plan view thereof, with the attachment assembly shown connected;

FIG. 3 is a top plan view thereof, with the attachment assembly shown connected;

FIG. 4 is a rear elevation view thereof;

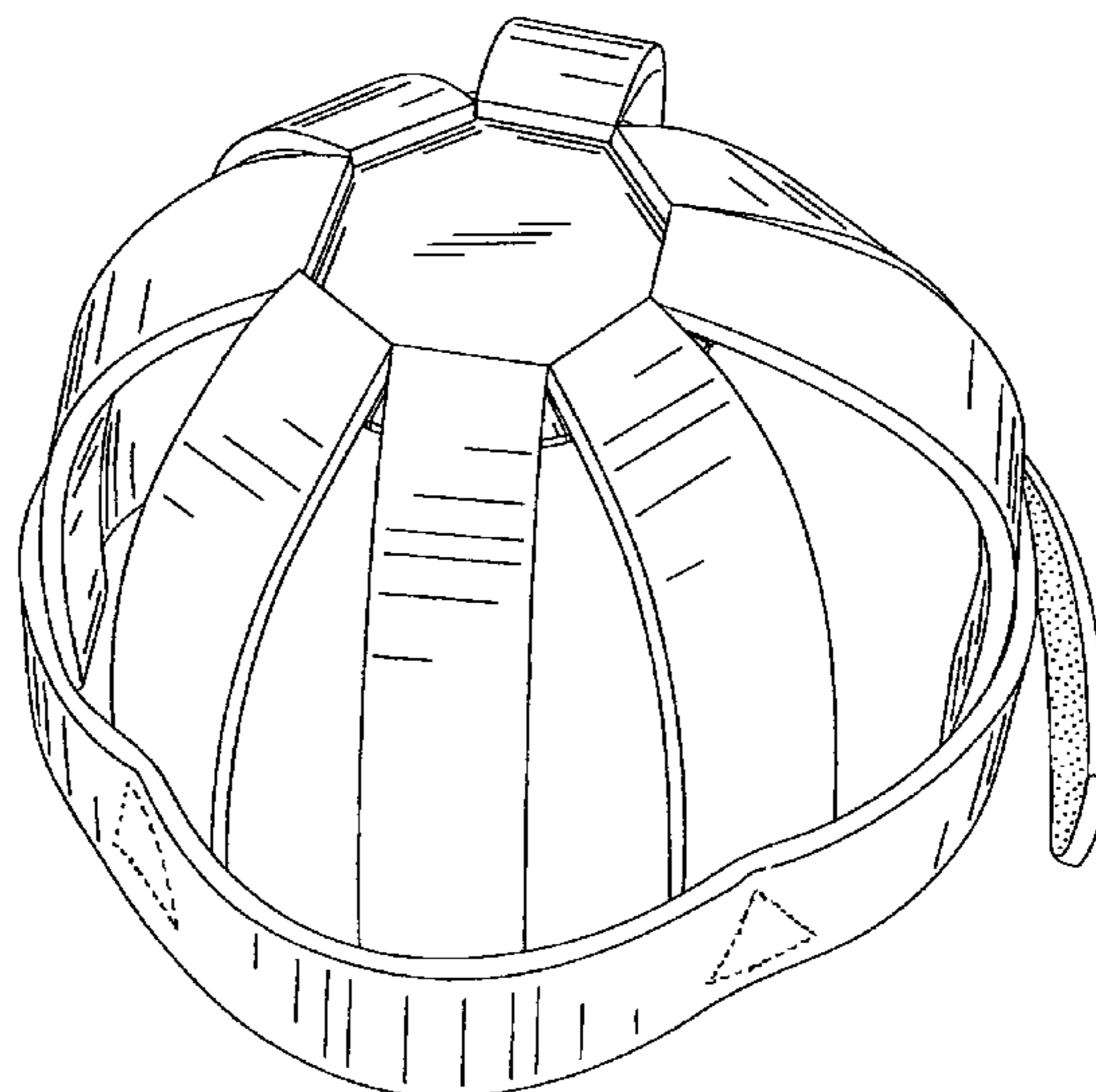
FIG. 5 is a front elevation view thereof;

FIG. 6 is a right side view thereof; and,

FIG. 7 is a left side view thereof.

In the drawings, broken lines indicate environmental structure or boundaries that form no part of the claimed design.

1 Claim, 4 Drawing Sheets



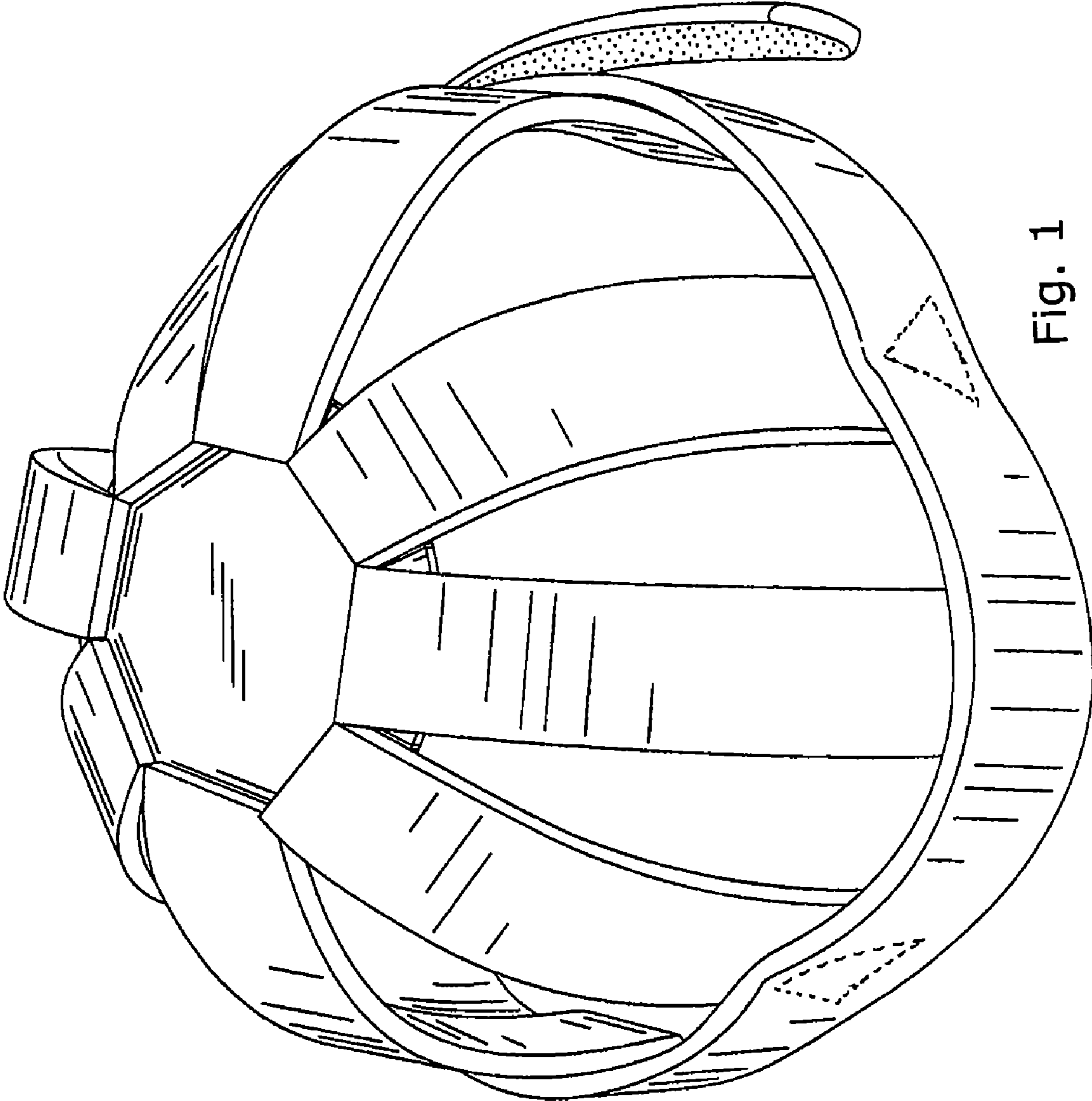


Fig. 1

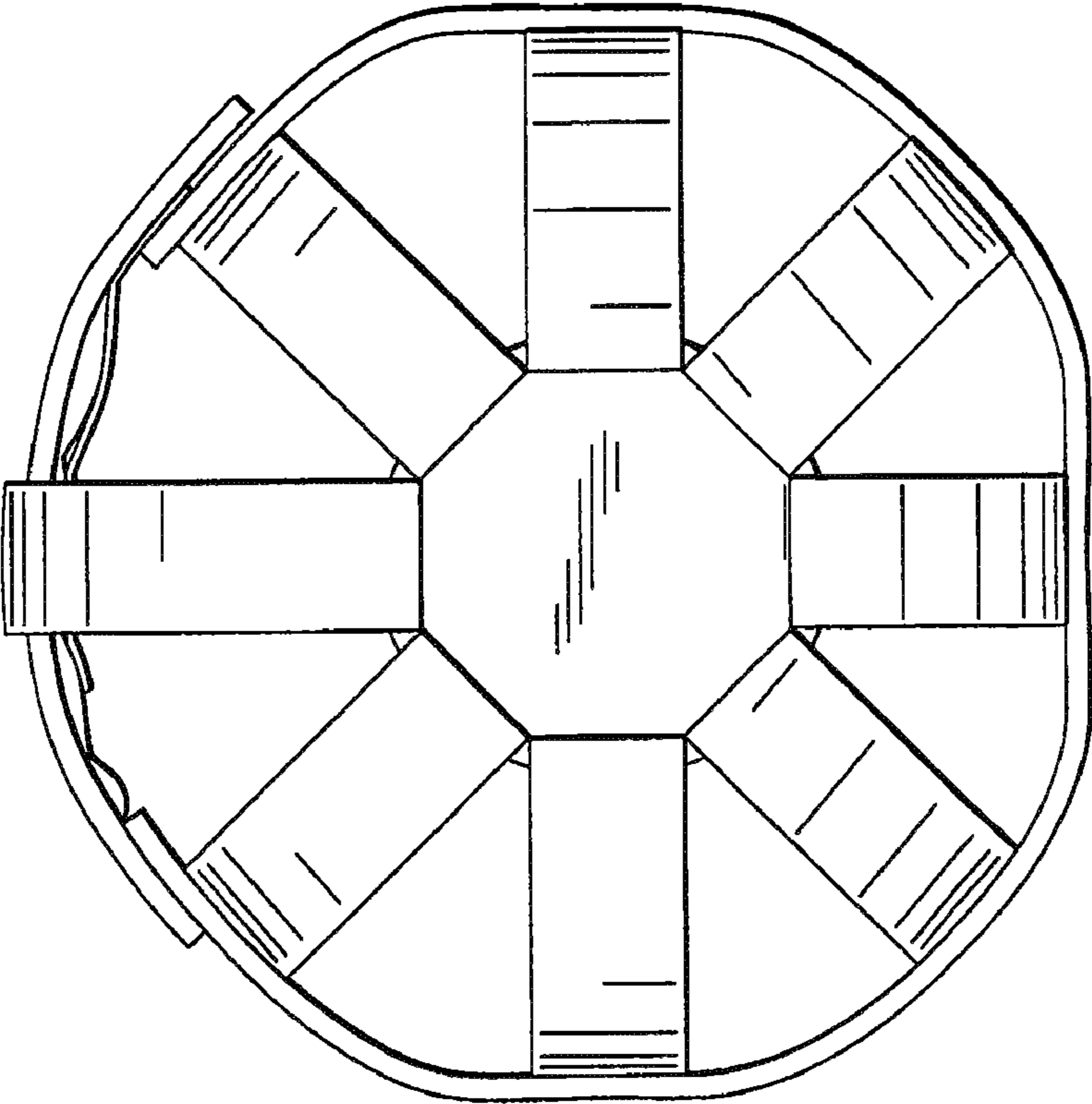


Fig. 3

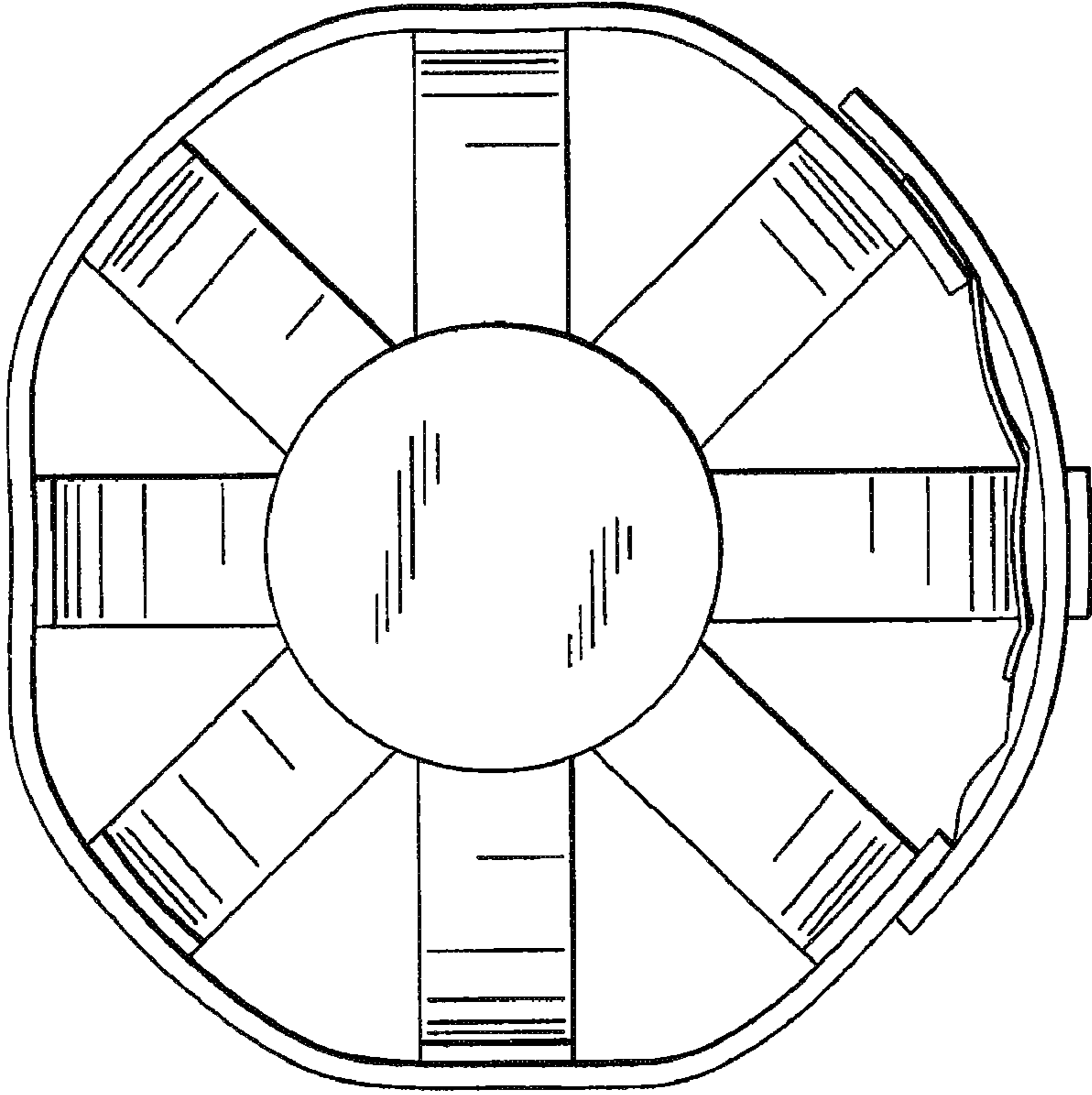


Fig. 2

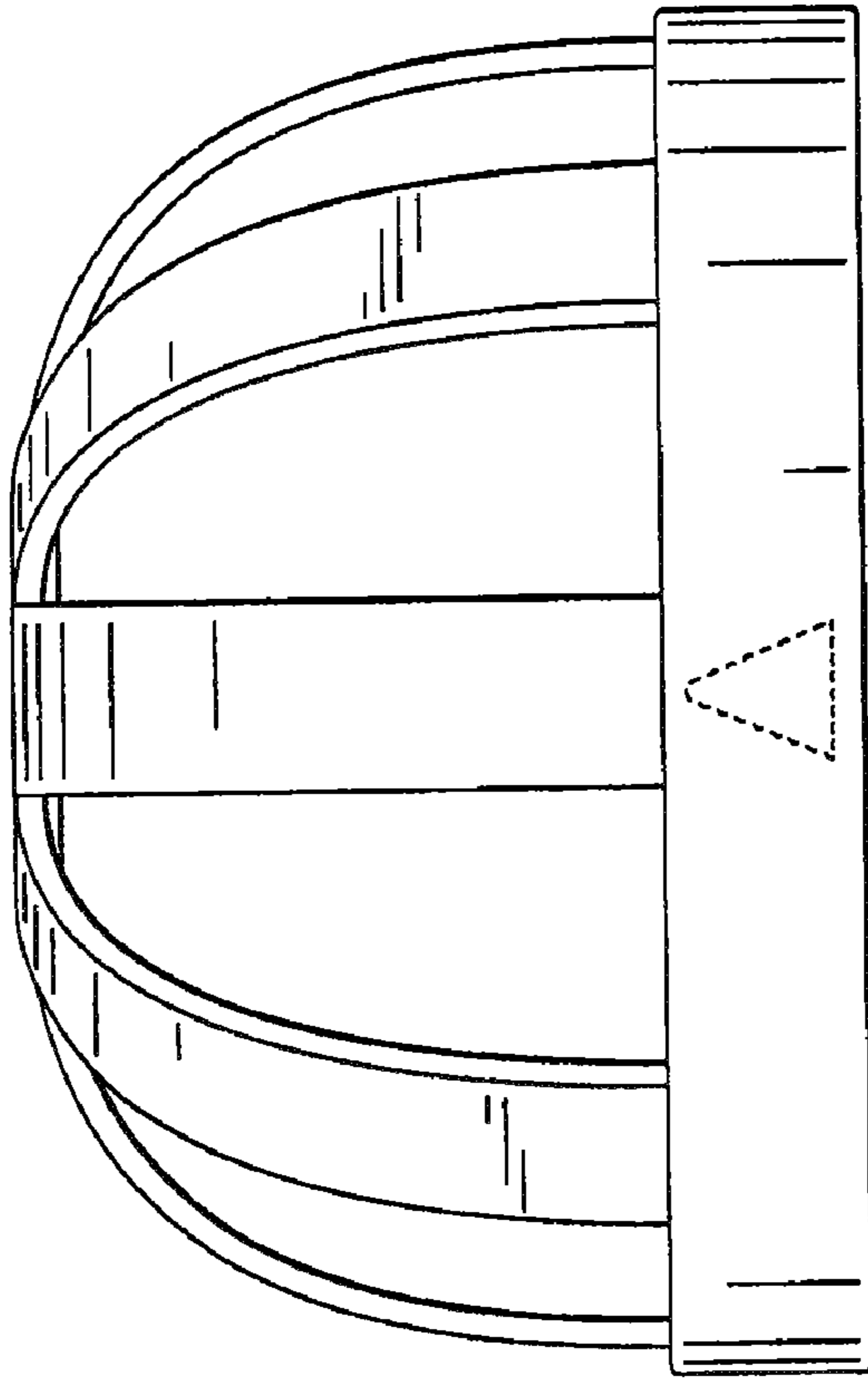


Fig. 5

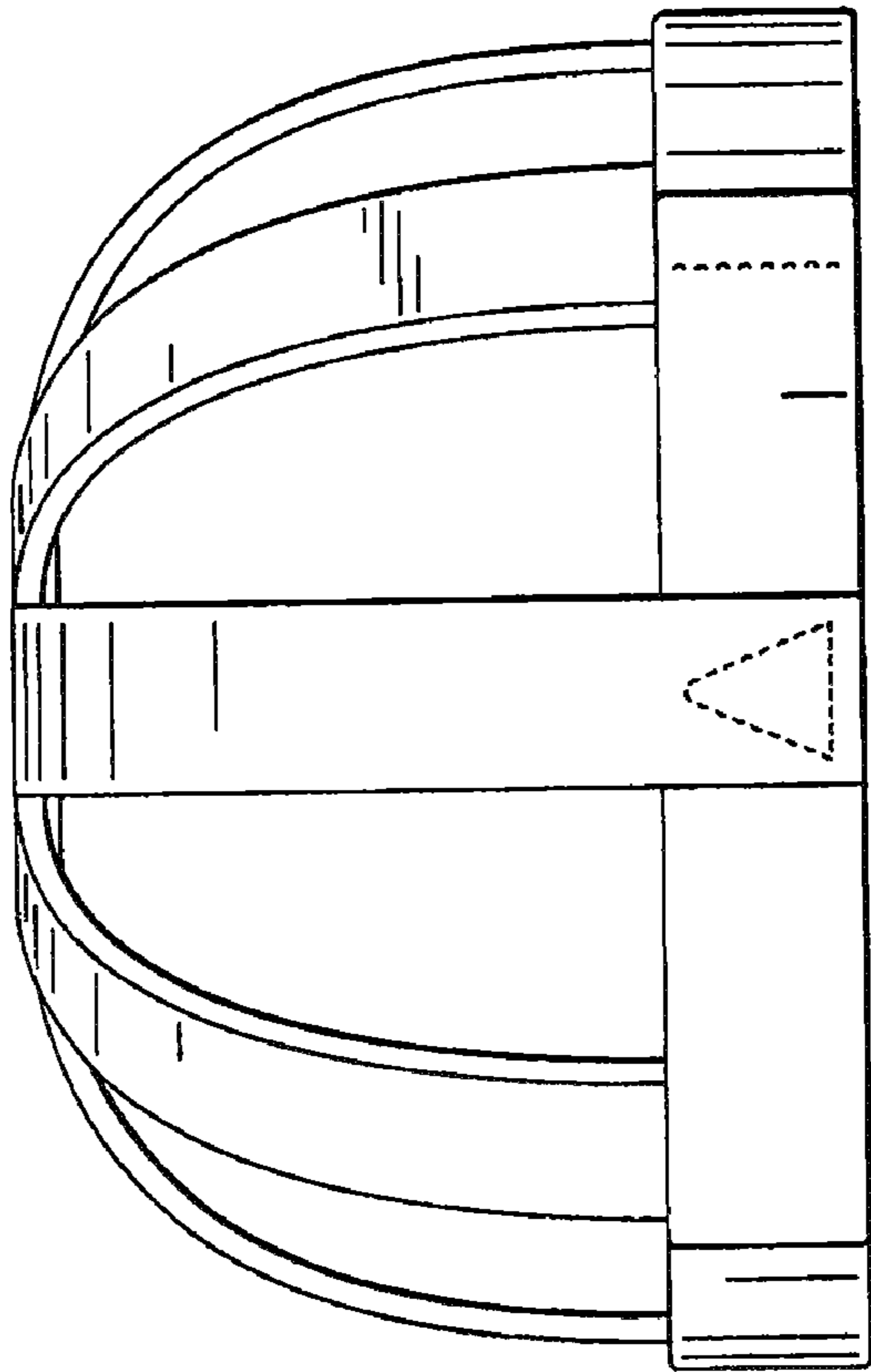


Fig. 4

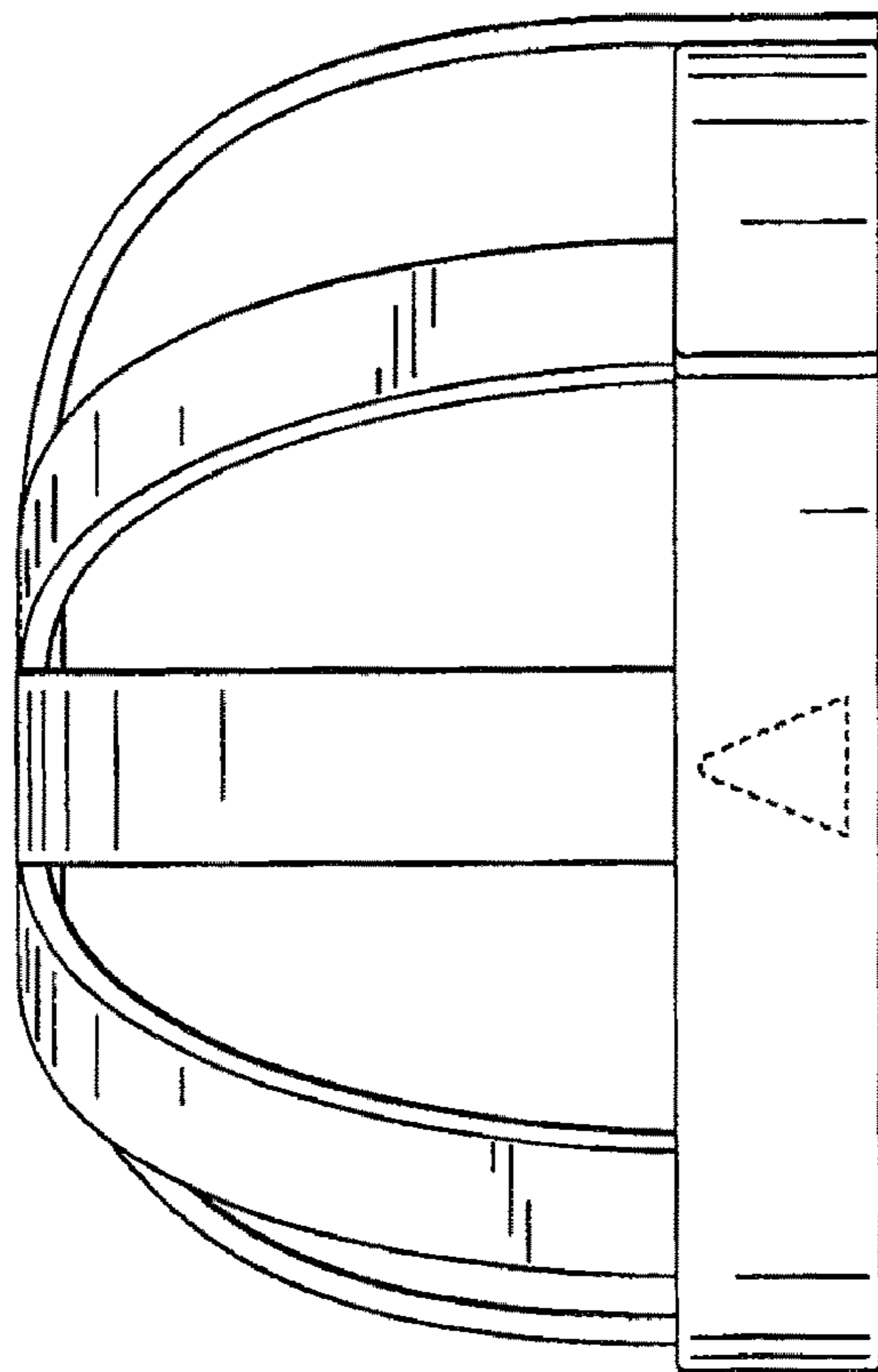


Fig. 6

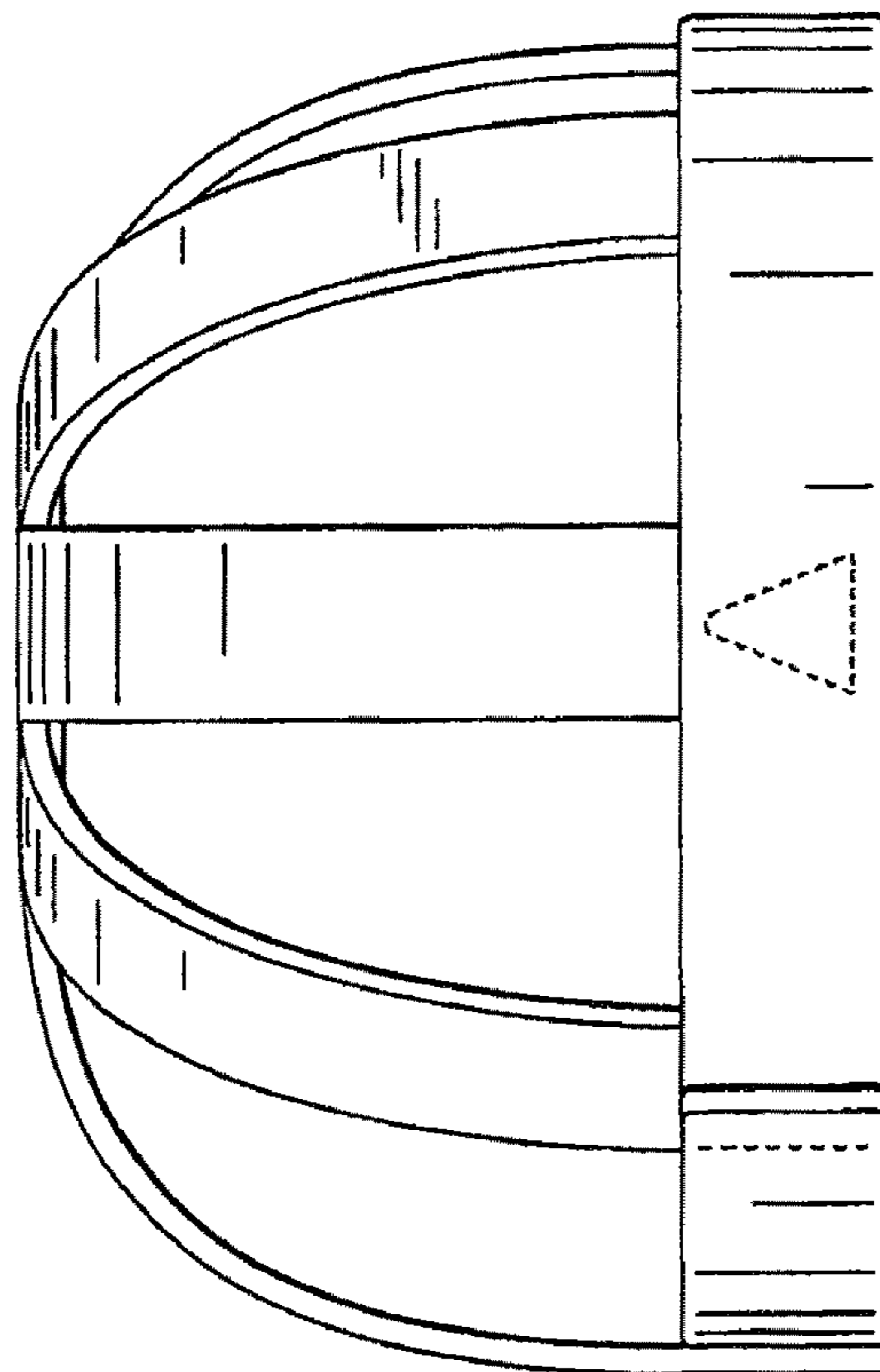


Fig. 7