

US00D667589S

(12) **United States Design Patent**
Greiner

(10) **Patent No.:** **US D667,589 S**

(45) **Date of Patent:** **** Sep. 18, 2012**

(54) **COSMETIC HOLDER**

(76) Inventor: **Lori Greiner**, Chicago, IL (US)

(**) Term: **14 Years**

(21) Appl. No.: **29/402,691**

(22) Filed: **Sep. 26, 2011**

Related U.S. Application Data

(60) Continuation of application No. 29/382,095, filed on Dec. 29, 2010, now abandoned, which is a division of application No. 29/332,018, filed on Feb. 6, 2009.

(51) **LOC (9) Cl.** **28-03**

(52) **U.S. Cl.** **D28/73; D6/467**

(58) **Field of Classification Search** 211/113.1, 211/113.4, 56, 78, 163-164, 144; 132/286, 132/287, 314-315; D6/460, 474, 442, 476, D6/457, 468-469, 467; D28/73, 9
See application file for complete search history.

(56) **References Cited**

U.S. PATENT DOCUMENTS

D96,411 S	7/1935	Pease	
D178,168 S	7/1956	Buskirk	
3,227,283 A	1/1966	Ahlman	
D209,240 S	11/1967	Plogsed	
D267,457 S	1/1983	Robins	
D293,943 S	1/1988	Wadsworth	
D295,796 S	5/1988	Wadsworth	
4,953,696 A	9/1990	Huang	
D332,017 S	12/1992	King	
D352,605 S	11/1994	Tiramani	
D393,960 S	5/1998	Geier	
D395,182 S	6/1998	Singleton	
5,819,960 A	10/1998	Bonazza	
D414,001 S	9/1999	Crotte	
D418,947 S *	1/2000	Greiner	D28/73
D420,832 S	2/2000	Cole, Sr.	
D435,865 S	1/2001	La Greca	
D507,602 S	7/2005	Siegel	
D559,464 S	1/2008	Singh	

D584,854 S	1/2009	Blum	
D630,799 S *	1/2011	Greiner	D28/73
D630,800 S *	1/2011	Greiner	D28/73
D634,476 S *	3/2011	Greiner	D28/73
D642,741 S *	8/2011	Greiner	D28/73
2008/0173325 A1	7/2008	McGarry	

OTHER PUBLICATIONS

U.S. Appl. No. 29/332,016, Non Final Office Action mailed May 12, 2010, 11 pages.

U.S. Appl. No. 29/332,017, Non Final Office Action mailed May 12, 2010, 11 pages.

U.S. Appl. No. 29/332,018, Non Final Office Action, mailed May 12, 2010, 11 pages.

* cited by examiner

Primary Examiner — Jennifer Rivard

(74) *Attorney, Agent, or Firm* — Fredrikson & Byron, P.A.

(57) **CLAIM**

The ornamental design for the cosmetic holder, as shown and described.

DESCRIPTION

This application which relates to two other design applications, of the same title, which were filed Feb. 6, 2009 and have U.S. application Ser. Nos. 29/332,016 and 29/332,017.

FIG. 1 is a front perspective view of my new and original ornamental design for a cosmetic holder, wherein the rear perspective view is a mirror image of the front perspective view shown;

FIG. 2 is a front elevation view thereof, wherein the rear elevation view is a mirror image of the front elevation view shown; and,

FIG. 3 is a top plan view thereof.

Portions of the design that are not shown in the drawings form no part of the claimed design. The broken lines that illustrate the interior and the lower portion of the cosmetic holder form no part of the claimed design.

1 Claim, 3 Drawing Sheets

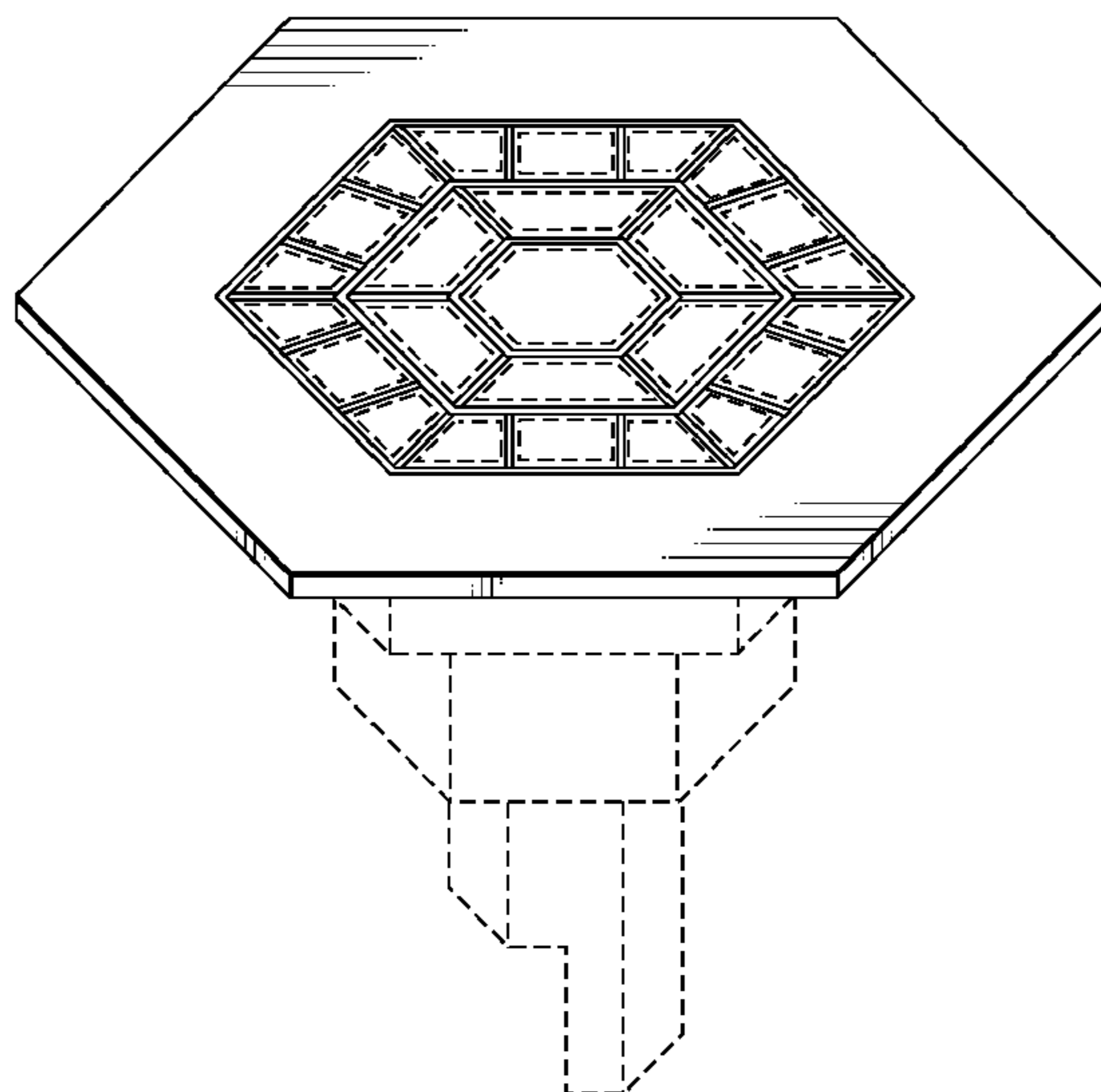


Fig. 1

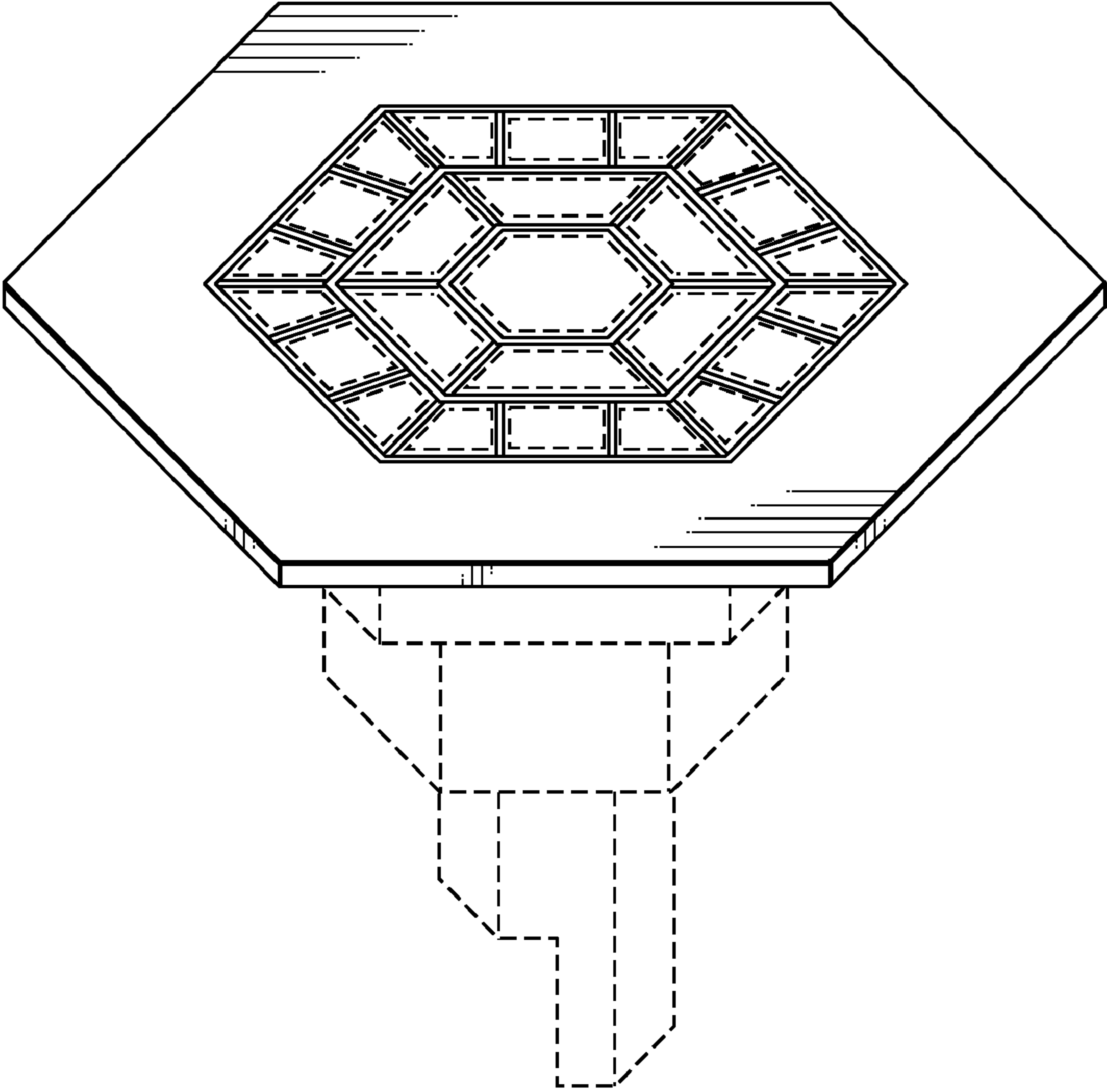
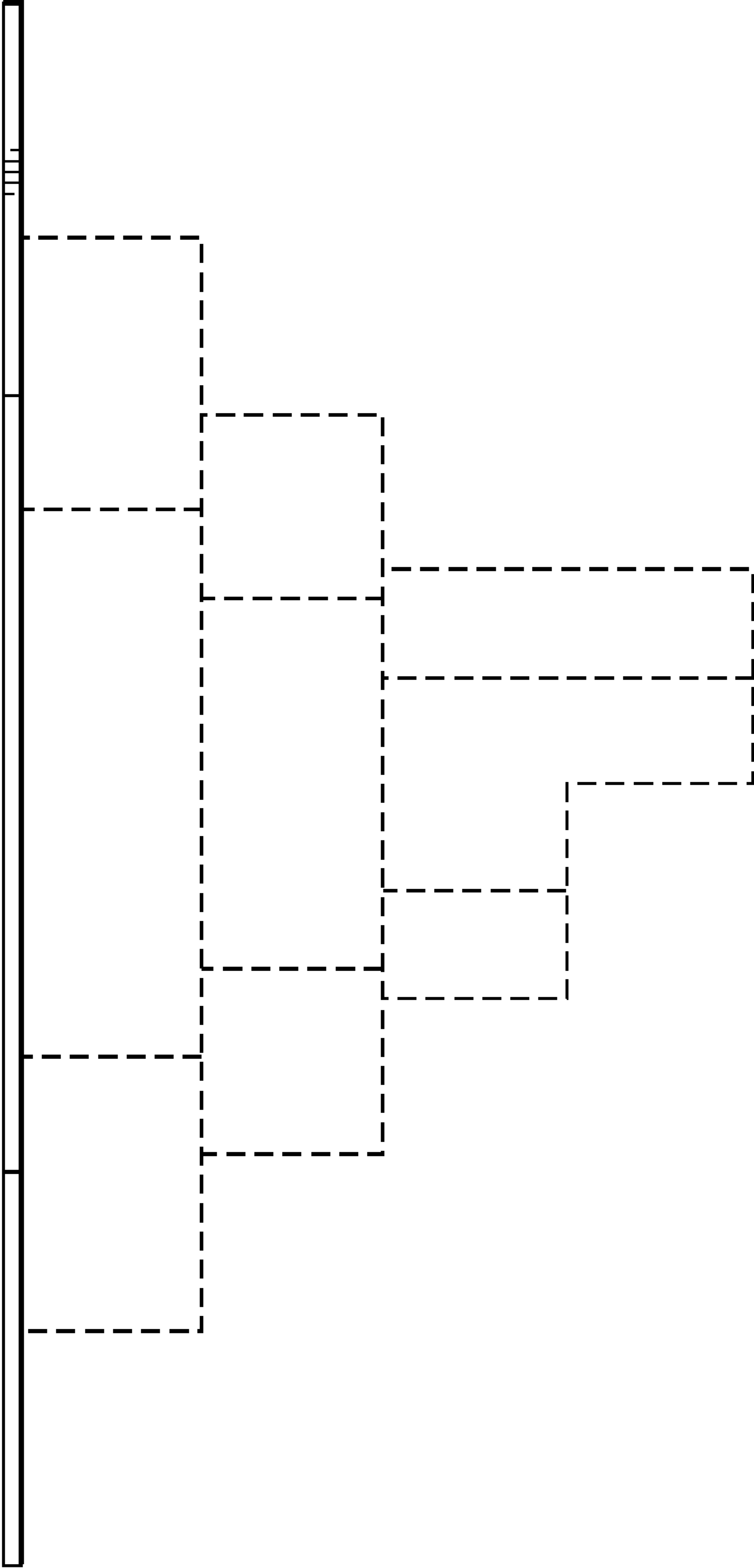


Fig. 2



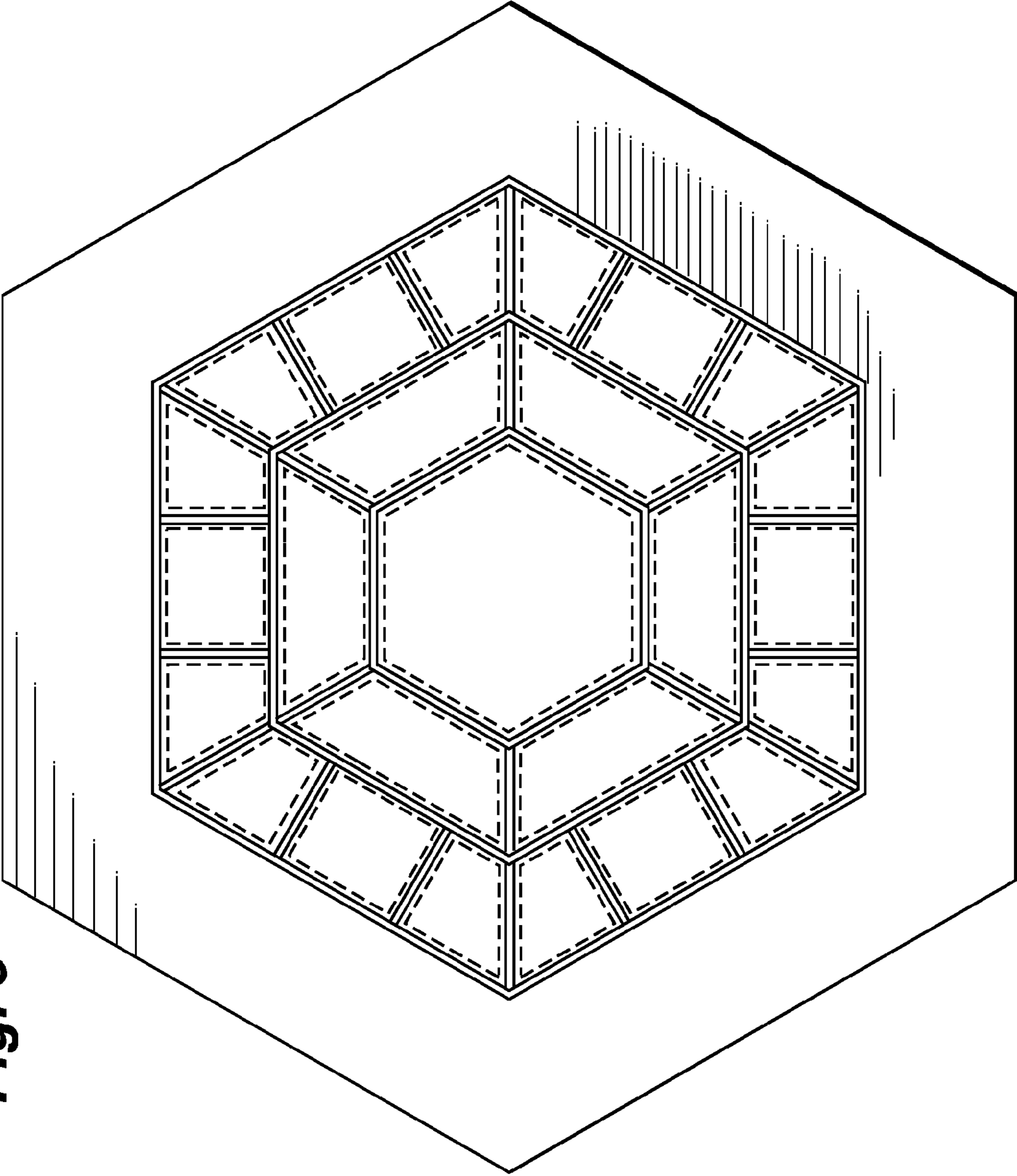


Fig. 3