



US00D667587S

(12) **United States Design Patent**
Wilcox et al.

(10) **Patent No.:** **US D667,587 S**
(45) **Date of Patent:** **** Sep. 18, 2012**

(54) **CEILING LIGHTING FIXTURE**

(75) Inventors: **Kurt S. Wilcox**, Libertyville, IL (US);
Wayne Guillien, Franksville, WI (US);
Frank Tsao, Cleveland (AU)

(73) Assignee: **Ruud Lighting, Inc.**, Racine, WI (US)

(**) Term: **14 Years**

(21) Appl. No.: **29/397,627**

(22) Filed: **Jul. 19, 2011**

Related U.S. Application Data

(63) Continuation of application No. 12/876,817, filed on Sep. 7, 2010.

(51) **LOC (9) Cl.** **26-05**

(52) **U.S. Cl.** **D26/89**

(58) **Field of Classification Search** D26/92,
D26/67-71; 362/249.01-249.06, 294, 373,
362/431

See application file for complete search history.

(56) **References Cited**

U.S. PATENT DOCUMENTS

D200,118	S	*	1/1965	Van Steenhoven	D26/71
D219,546	S	*	12/1970	Kaiser et al.	D26/68
D228,361	S	*	9/1973	Burns et al.	D26/71
D233,852	S	*	12/1974	Czellath et al.	D26/71
D257,892	S	*	1/1981	Dean et al.	D26/71
4,462,068	A	*	7/1984	Shadwick	362/332
D326,728	S	*	6/1992	Layne	D26/67
D573,288	S	*	7/2008	Xu et al.	D26/67
D592,346	S	*	5/2009	Gill	D26/71
D625,038	S	*	10/2010	Yoo	D26/85
D641,095	S	*	7/2011	Yao et al.	D26/71
D641,908	S	*	7/2011	McKee	D26/71

D644,370	S	*	8/2011	Lickiss	D26/85
2010/0238671	A1		9/2010	Catone et al.		
2011/0013397	A1		1/2011	Catone et al.		

OTHER PUBLICATIONS

Excerpts of e-conolight brochure. Date: May/Jun. 2010. 2 pages.

* cited by examiner

Primary Examiner — Clare E Heflin

(74) *Attorney, Agent, or Firm* — Jansson Shupe & Munger Ltd.

(57) **CLAIM**

The ornamental design for a ceiling lighting fixture, as shown and described.

DESCRIPTION

FIG. 1 is a bottom perspective view of a ceiling lighting fixture.

FIG. 2 is a top perspective view of the ceiling lighting fixture of FIG. 1.

FIG. 3 is a left side elevation view of the ceiling lighting fixture of FIG. 1, a right side elevation view being a mirror image.

FIG. 4 is a front elevation view of the ceiling lighting fixture of FIG. 1.

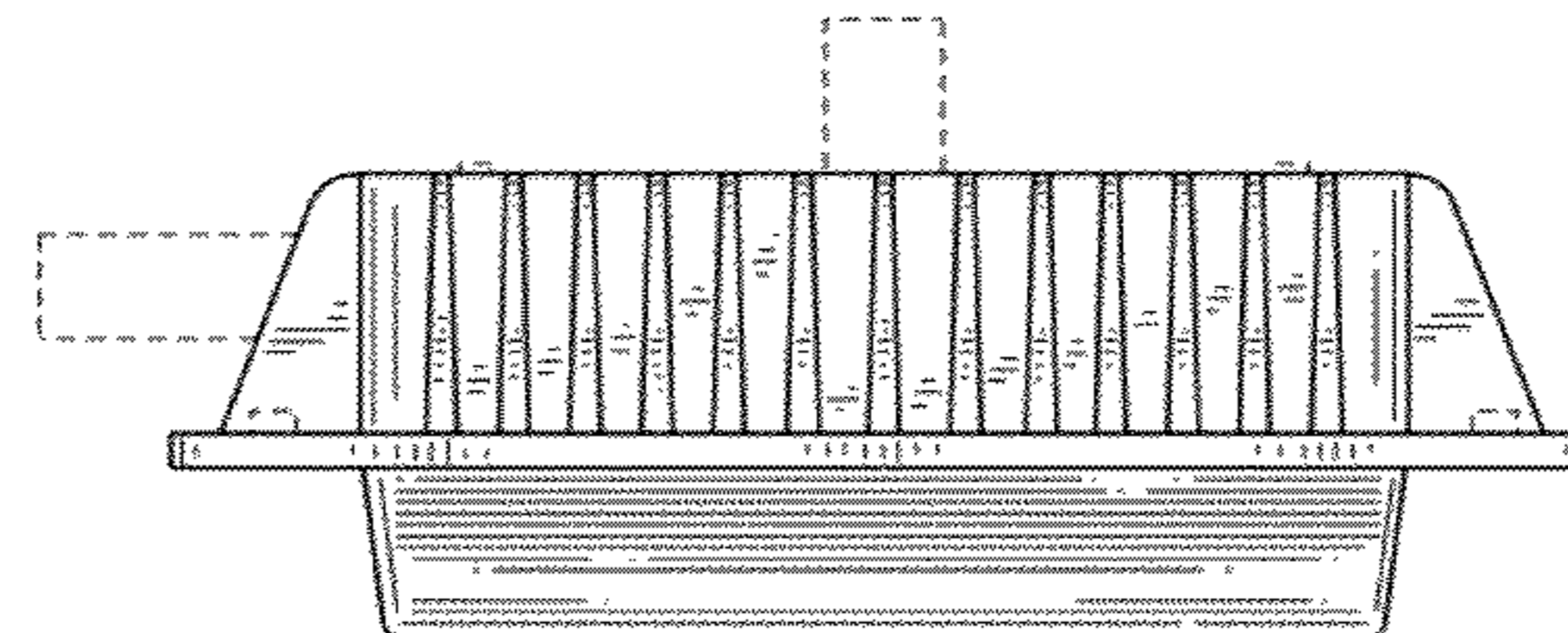
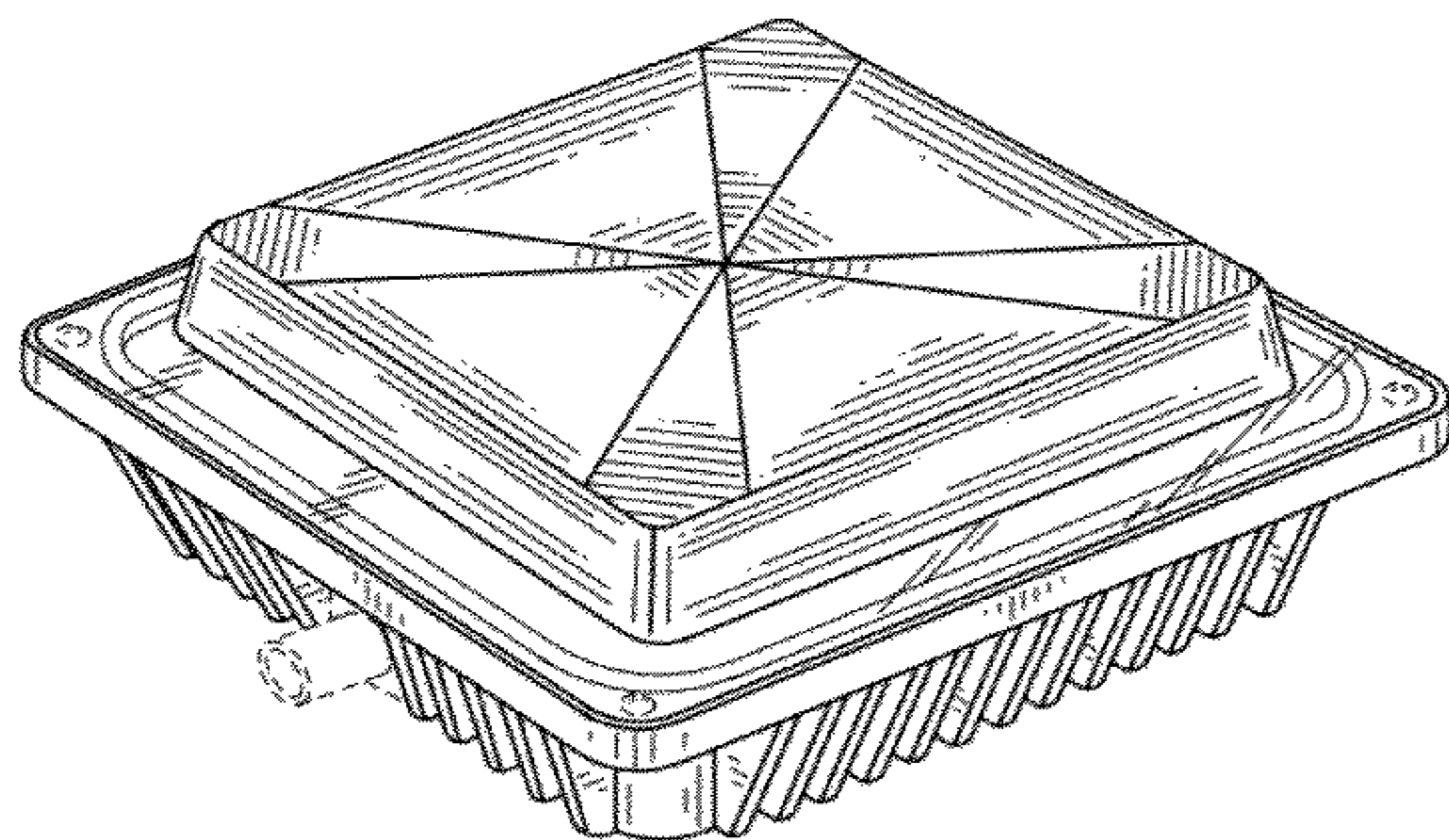
FIG. 5 is a back elevation view of the ceiling lighting fixture of FIG. 1.

FIG. 6 is a top plan view of the ceiling lighting fixture of FIG. 1; and,

FIG. 7 is a bottom plan view of the ceiling lighting fixture of FIG. 1.

The broken lines are provided for illustrative purposes only and form no part of the claimed design.

1 Claim, 6 Drawing Sheets



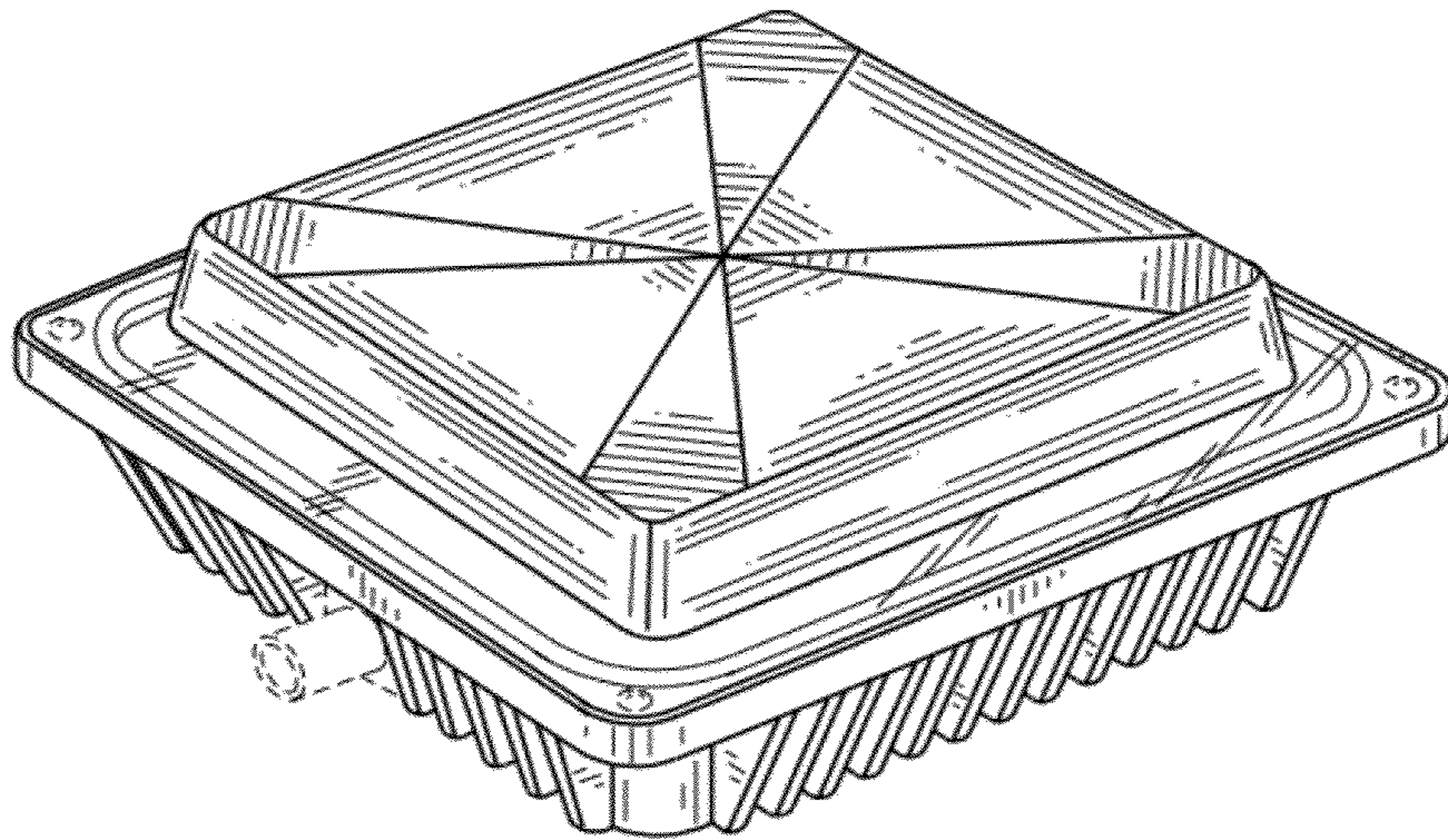


FIG. 1

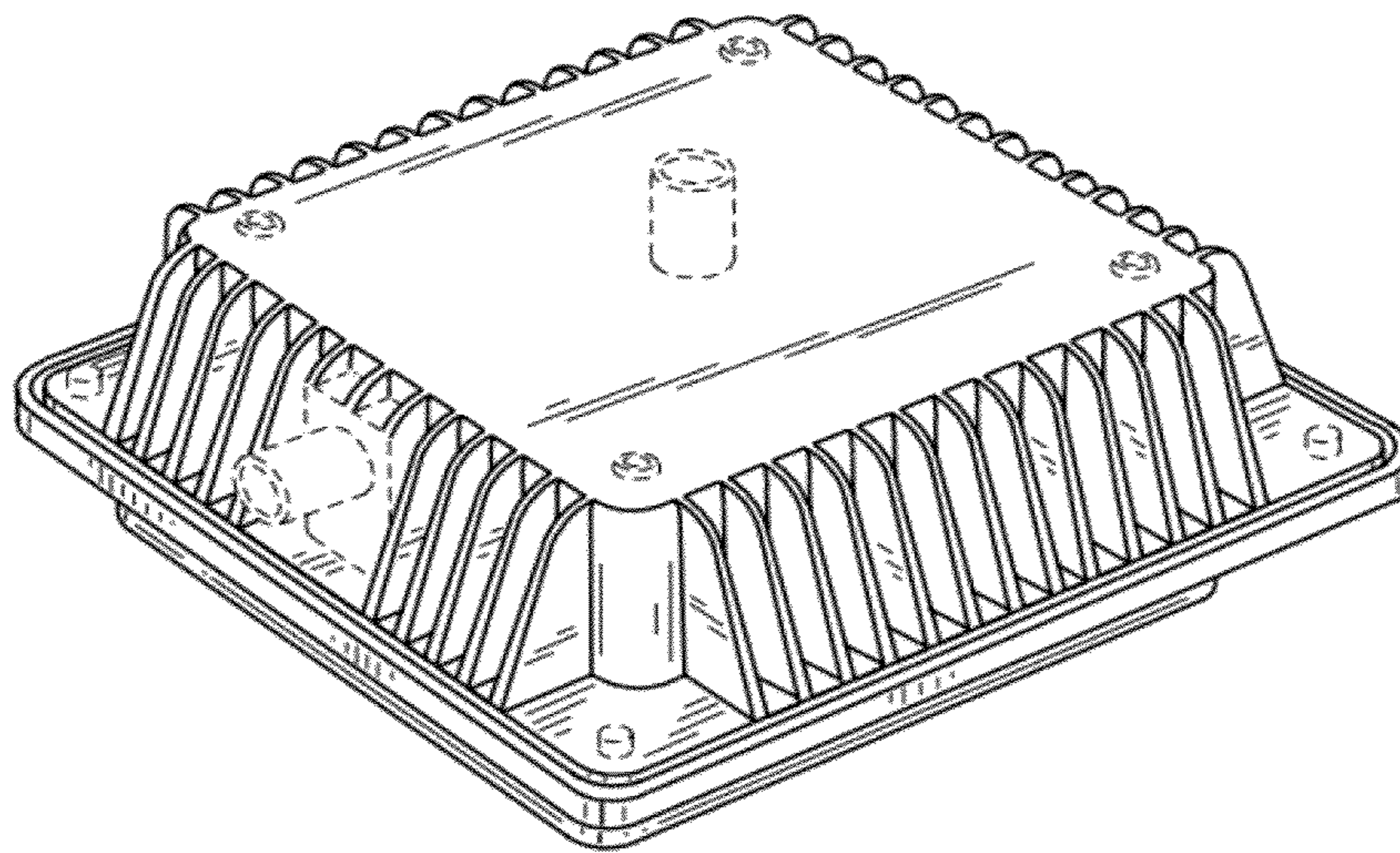


FIG. 2

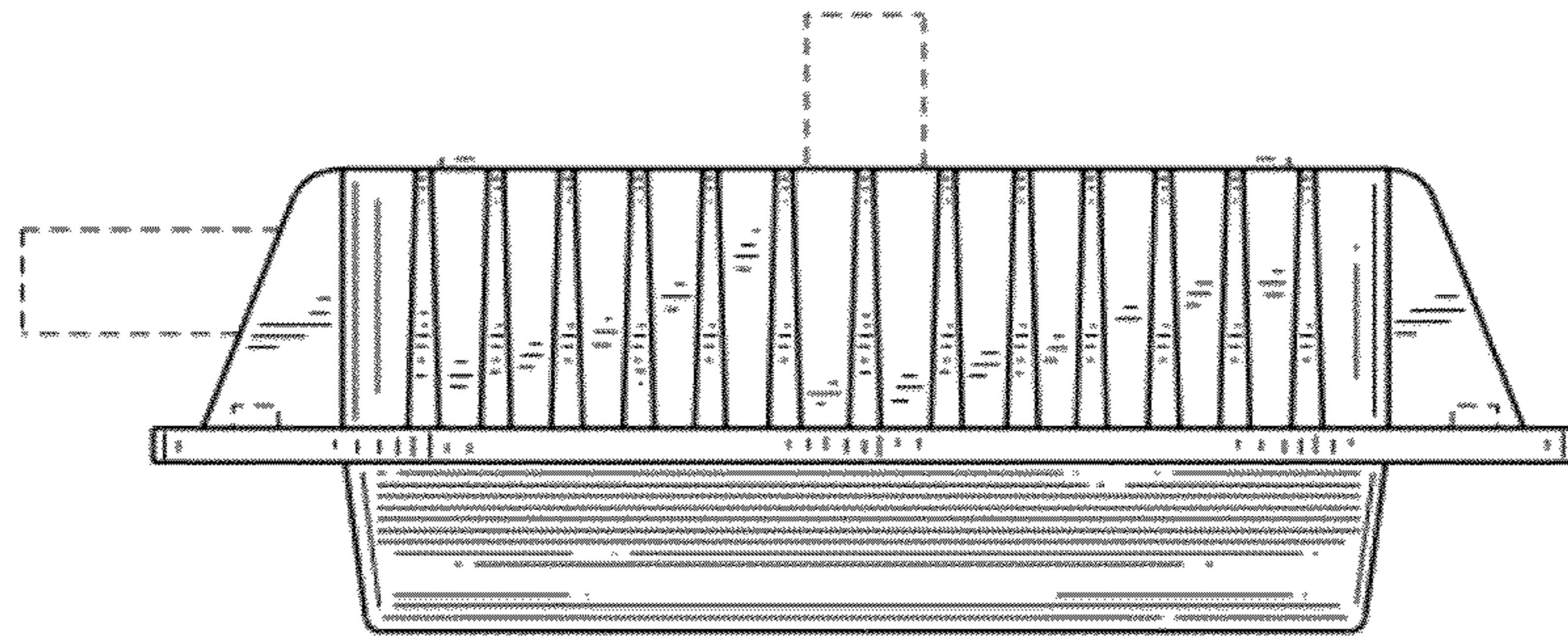


FIG. 3

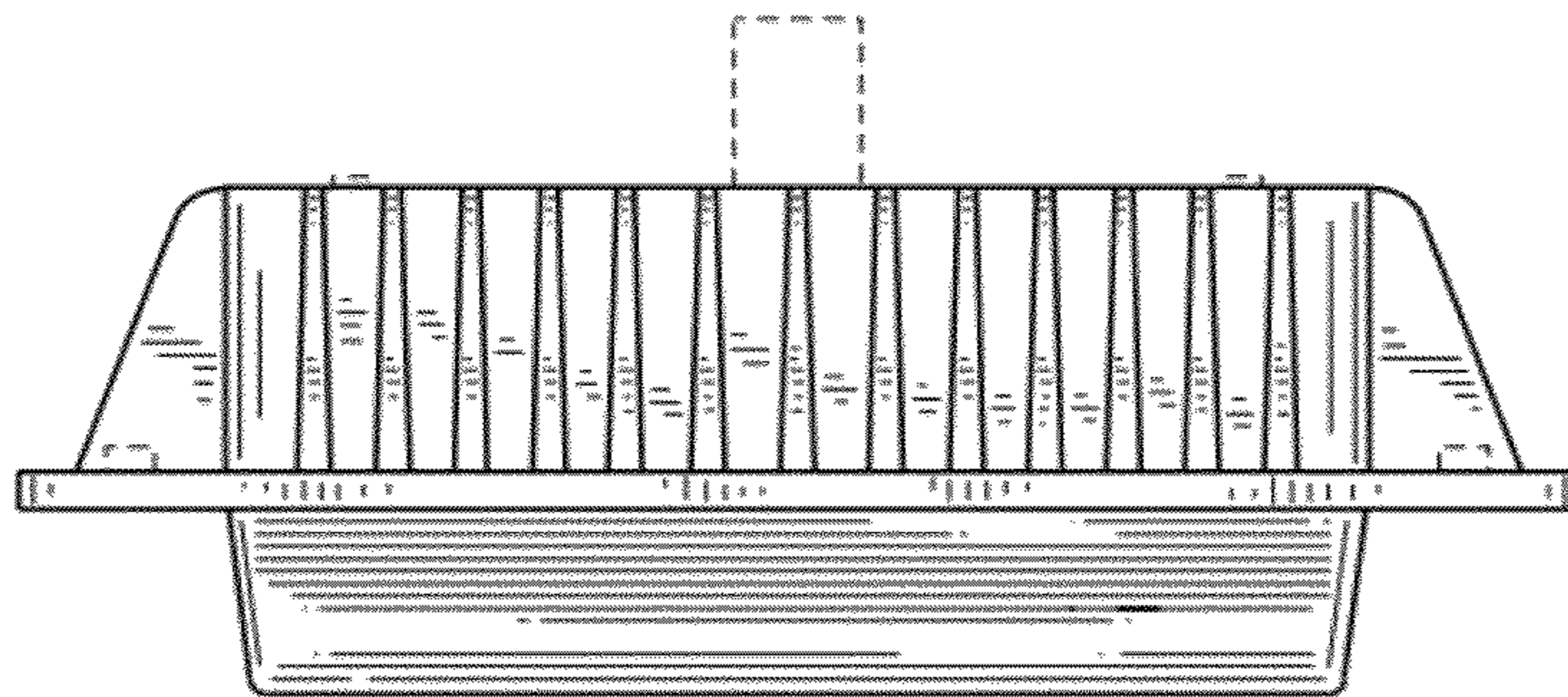


FIG. 4

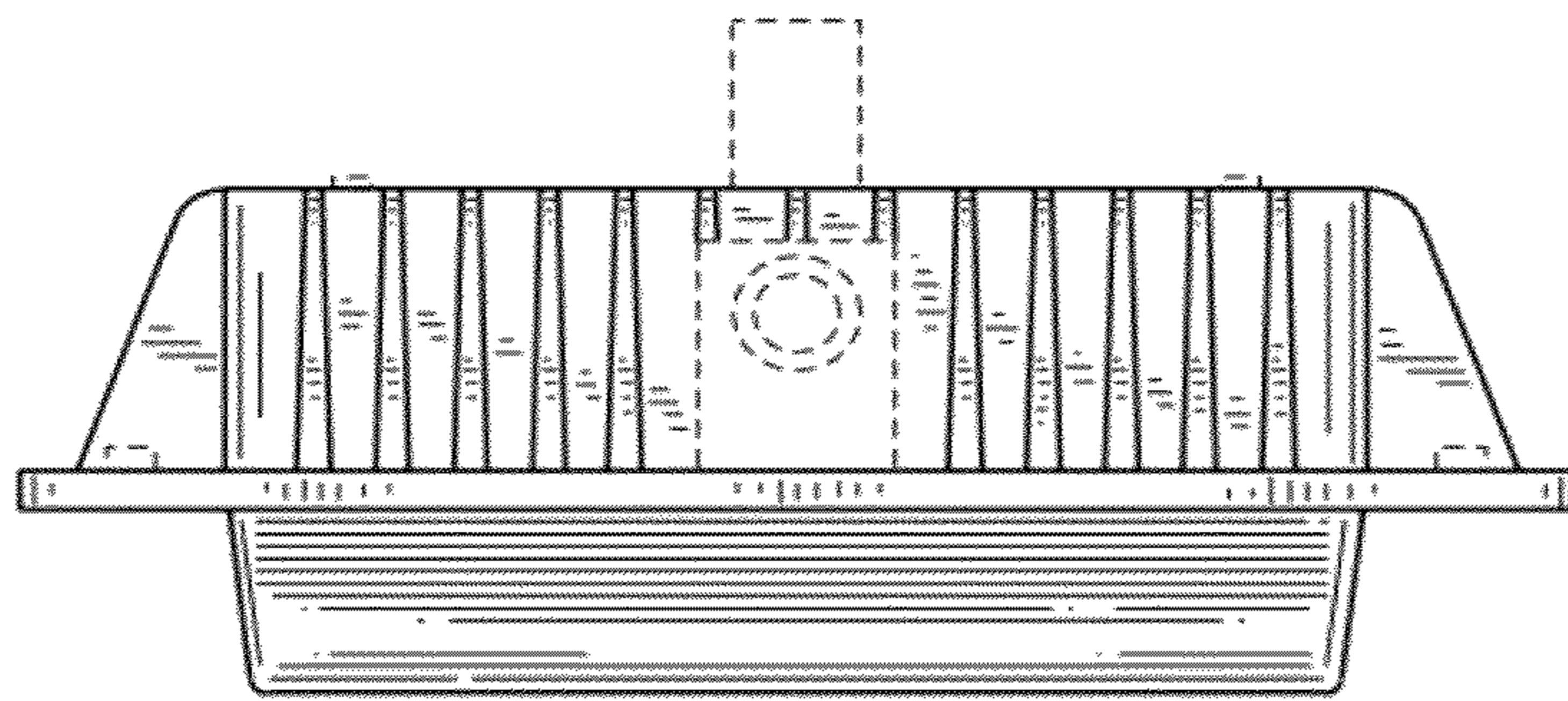


FIG. 5

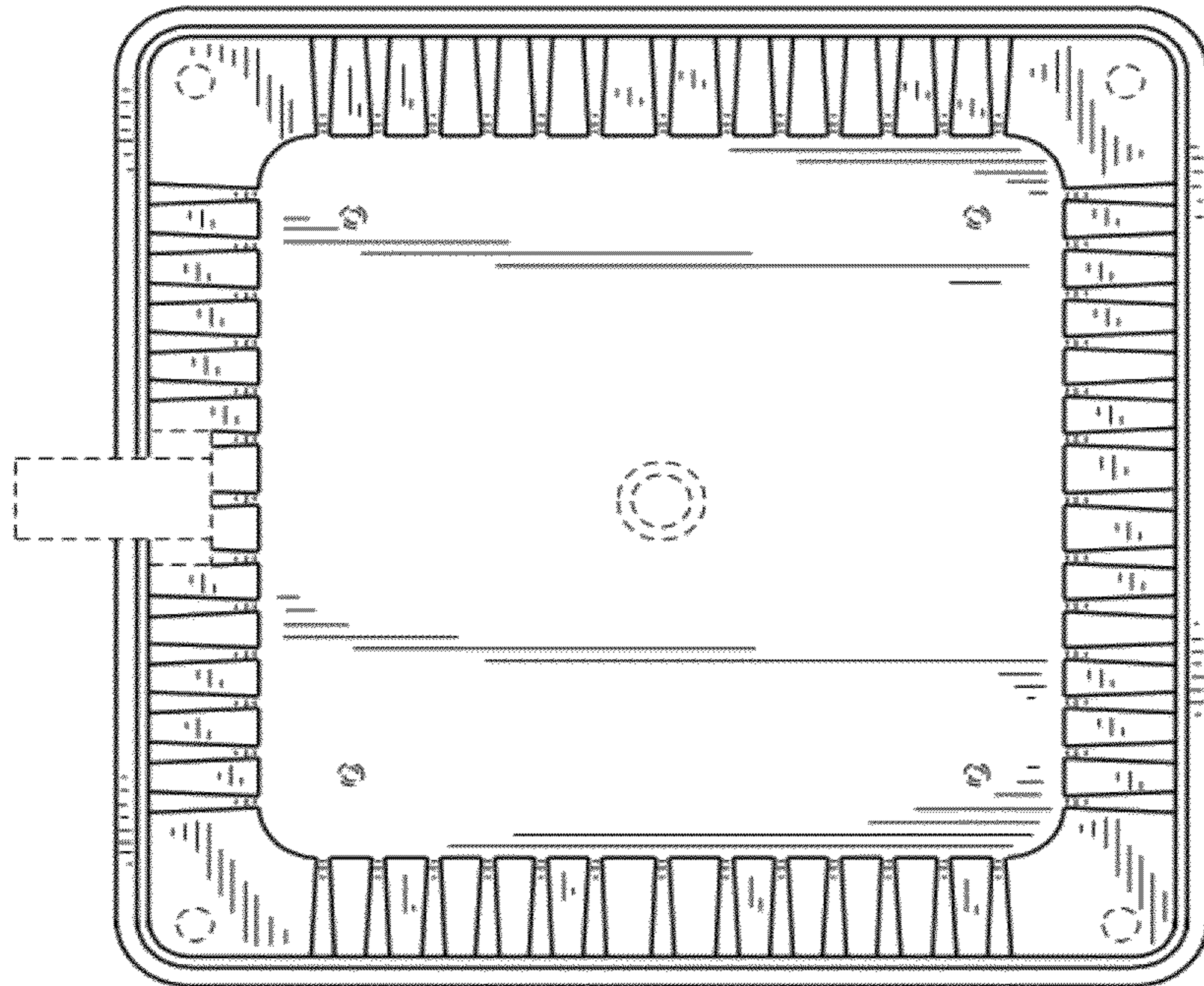


FIG. 6

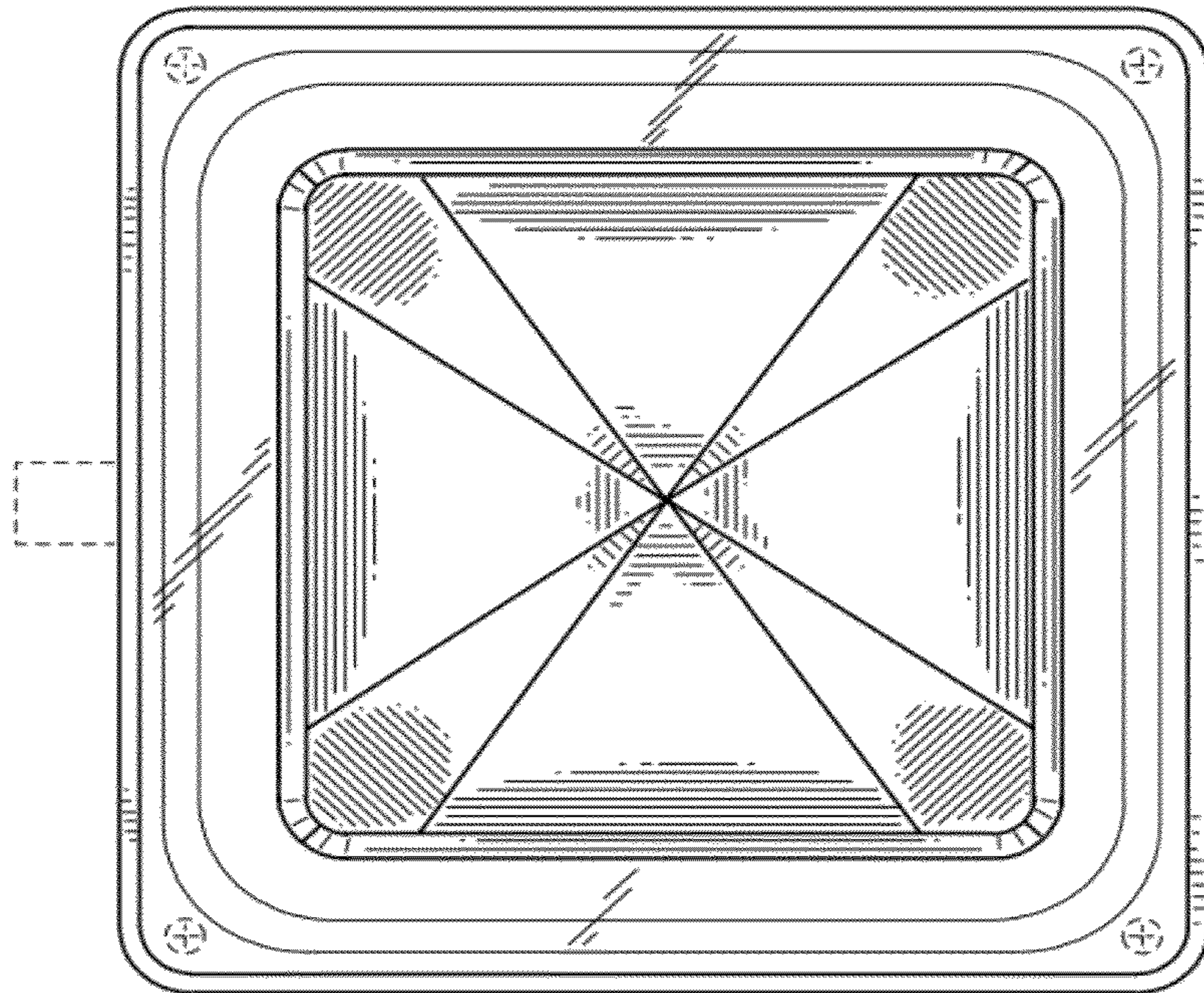


FIG. 7