

US00D667584S

(12) **United States Design Patent**
Beghelli

(10) **Patent No.:** **US D667,584 S**

(45) **Date of Patent:** **** Sep. 18, 2012**

(54) **LIGHTING APPARATUS**

(75) Inventor: **Gian Pietro Beghelli**, Monteveglio (IT)

(73) Assignee: **Beghelli S.p.A.**, Monteveglio (Bologna) (IT)

(**) Term: **14 Years**

(21) Appl. No.: **29/376,907**

(22) Filed: **Oct. 13, 2010**

(30) **Foreign Application Priority Data**

Apr. 14, 2010 (EM) 00169563-0002

(51) **LOC (9) Cl.** **26-05**

(52) **U.S. Cl.** **D26/75**

(58) **Field of Classification Search** D26/72,
D26/74, 75, 76, 77, 78, 79, 80, 81, 82, 83,
D26/84, 85, 88, 89, 90, 122; 362/145, 146,
362/147, 148, 150, 151, 152, 153, 153.1,
362/217.01, 217.02, 217.05, 217.06, 217.07,
362/217.08, 217.09, 217.1, 217.11, 249.02,
362/260, 296.07, 311.02

See application file for complete search history.

(56) **References Cited**

U.S. PATENT DOCUMENTS

D85,382 S * 10/1931 Guth D26/24
D119,800 S * 4/1940 Carter D26/78
D122,145 S * 8/1940 MacCarthy D26/78
D123,768 S * 12/1940 Scribner D26/78
D145,323 S * 7/1946 Nitardy D26/78

D496,121 S * 9/2004 Santoro D26/74
D520,173 S * 5/2006 Plunk D26/78
7,175,312 B2 * 2/2007 Fowler, Jr. 362/260
D611,644 S * 3/2010 Tsai D26/77
D632,418 S * 2/2011 Bisberg et al. D26/76
D650,935 S * 12/2011 Beghelli D26/63
2003/0058640 A1 * 3/2003 McAlpin 362/225
2007/0211457 A1 * 9/2007 Mayfield et al. 362/223

* cited by examiner

Primary Examiner — Angela J Lee

(74) *Attorney, Agent, or Firm* — Hedman & Costigan, P.C.;
James V. Costigan

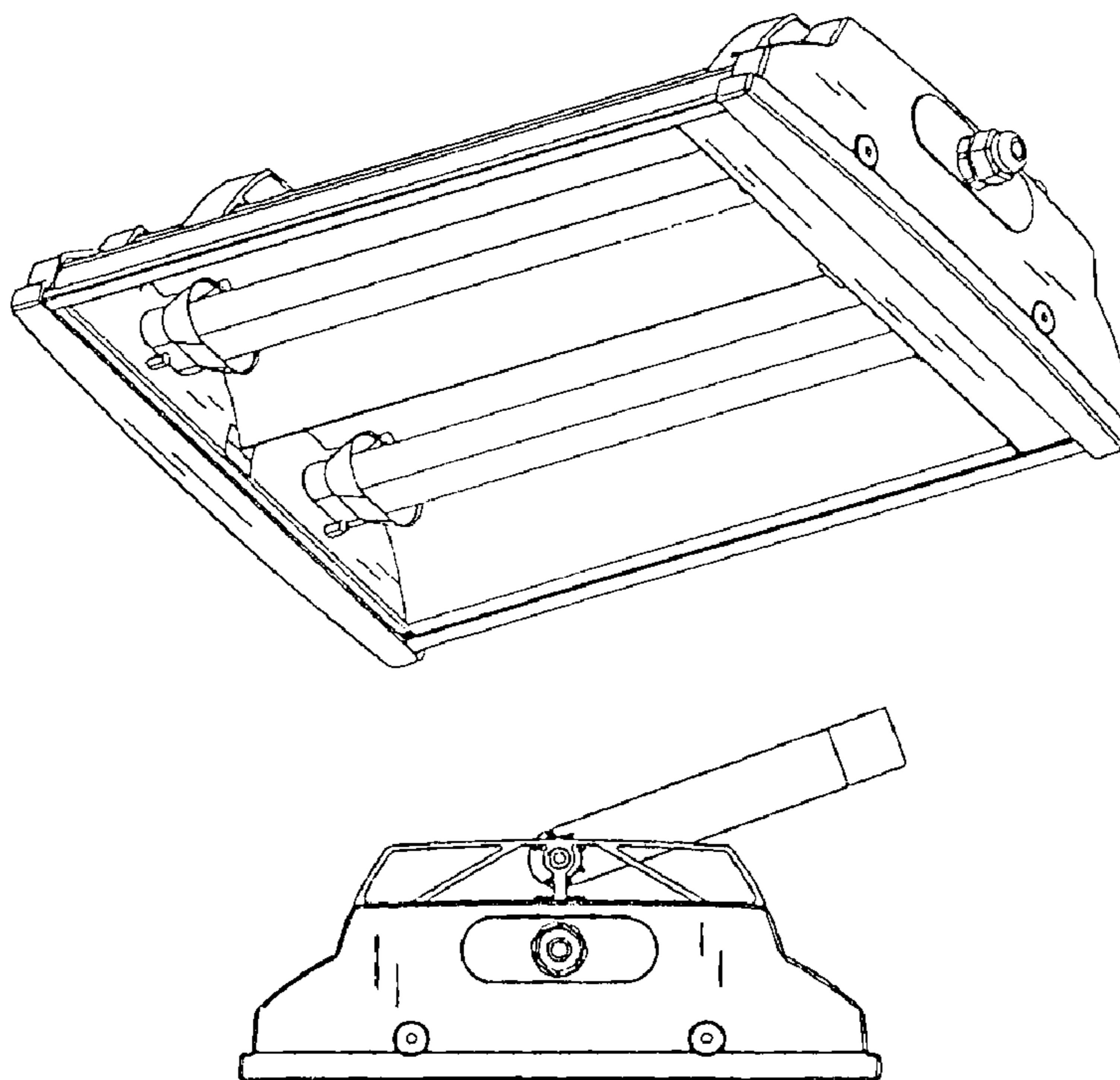
(57) **CLAIM**

I claim the ornamental design for a lighting apparatus, as shown and described.

DESCRIPTION

FIG. 1 is a perspective view of a lighting apparatus according to the present invention;
FIG. 2 is a top view of the lighting apparatus according to the present invention;
FIG. 3 is a bottom view of the lighting apparatus according to the present invention;
FIG. 4 is a left side view of the lighting apparatus according to the present invention;
FIG. 5 is a right side view of the lighting apparatus according to the present invention;
FIG. 6 is a front view of the lighting apparatus according to the present invention; and,
FIG. 7 is a back view of the lighting apparatus according to the present invention.

1 Claim, 7 Drawing Sheets



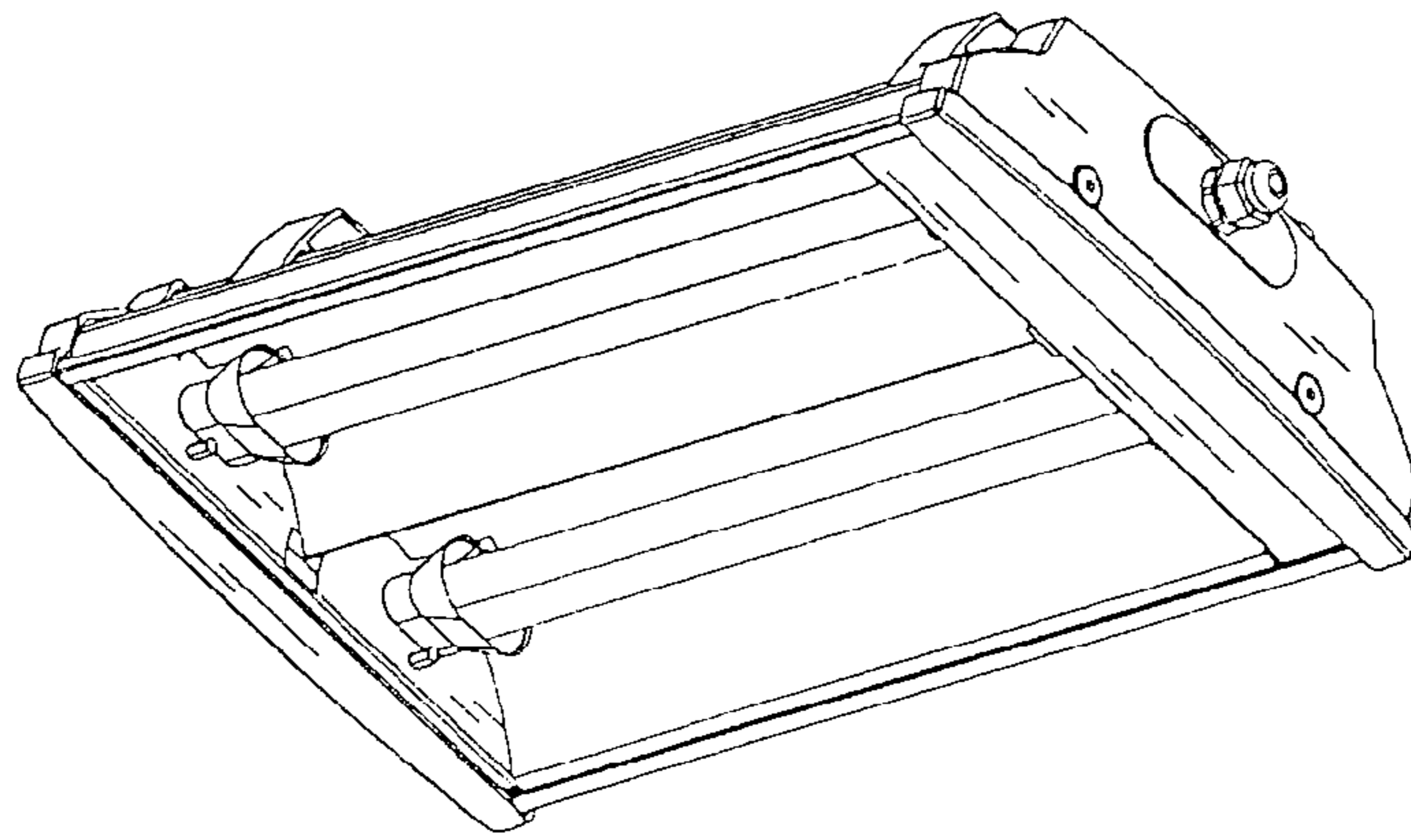


Fig. 1

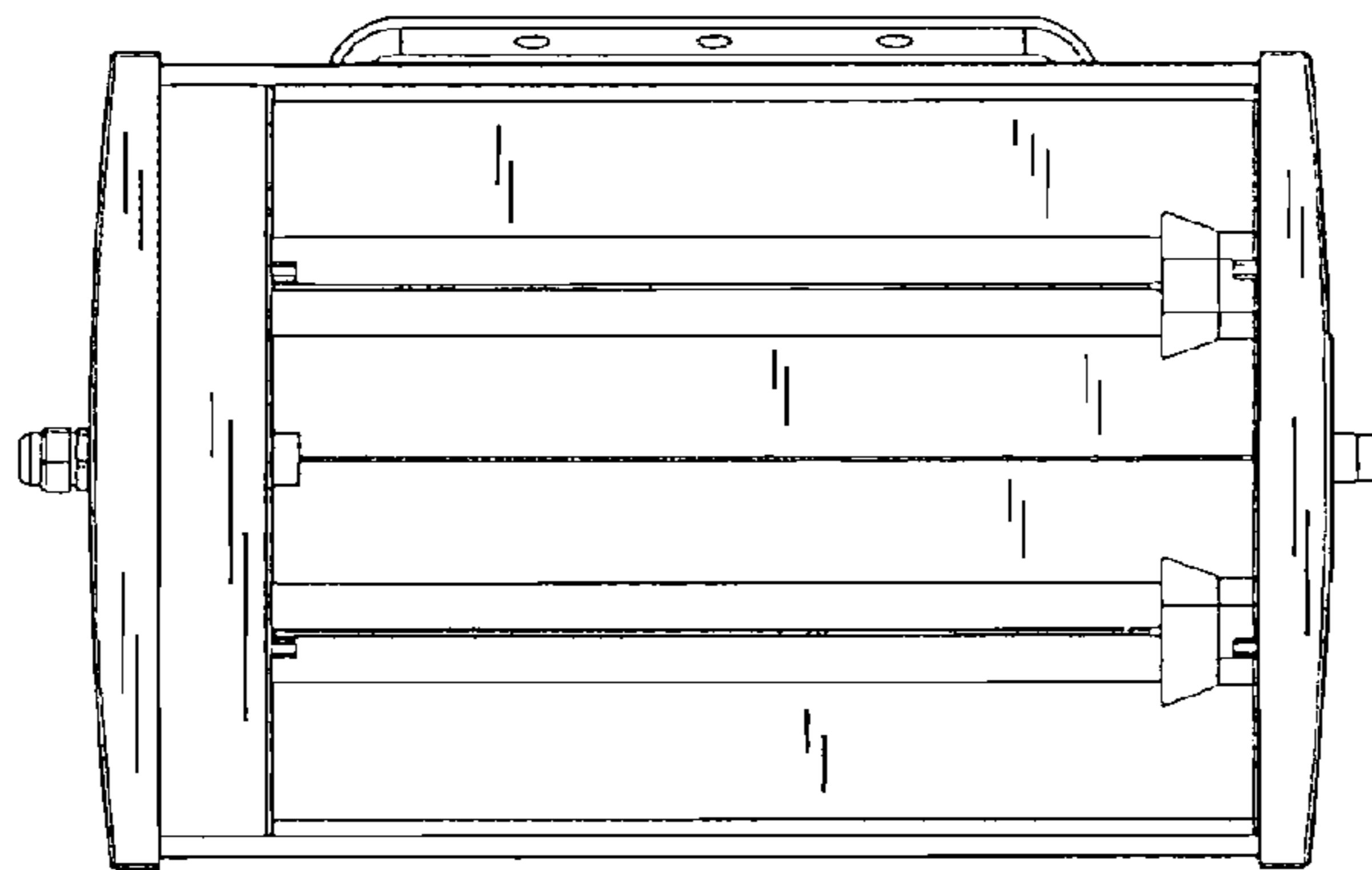


Fig. 2

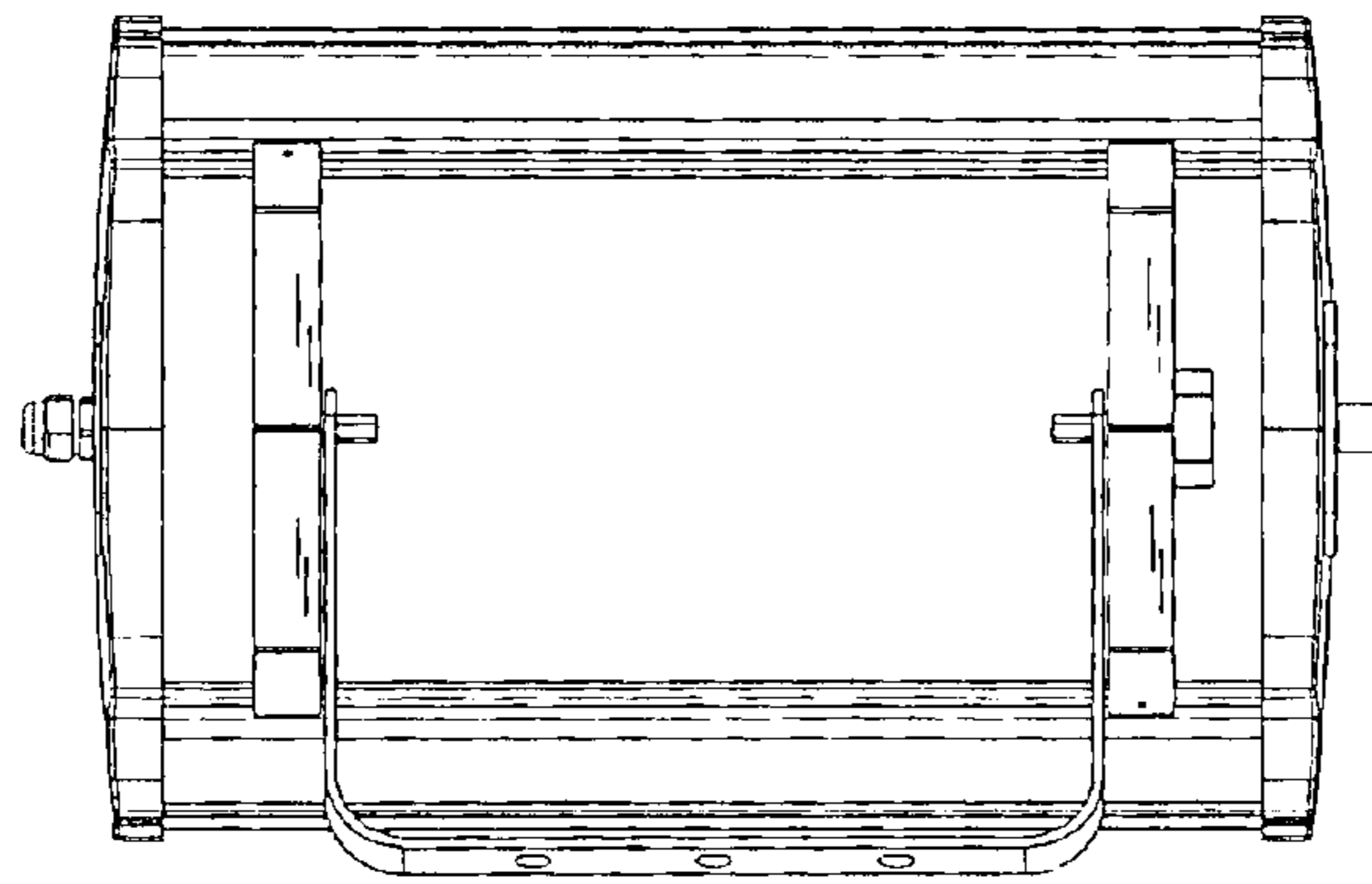


Fig. 3

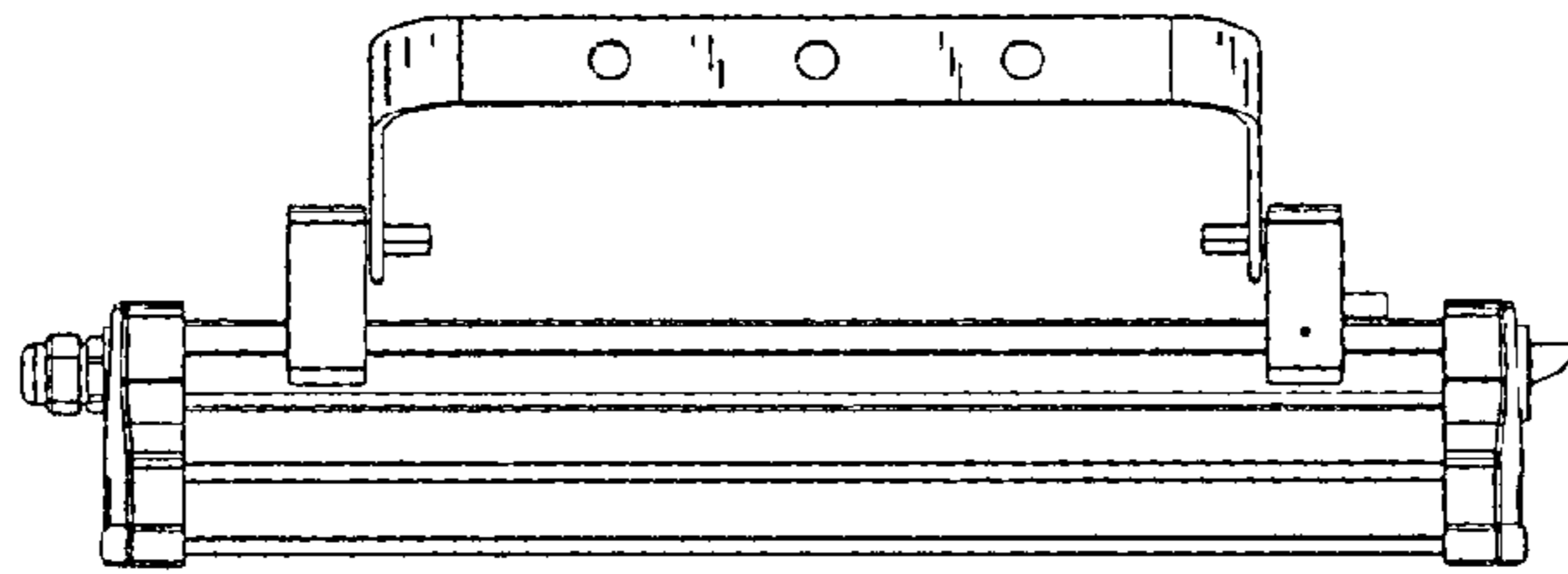


Fig. 4

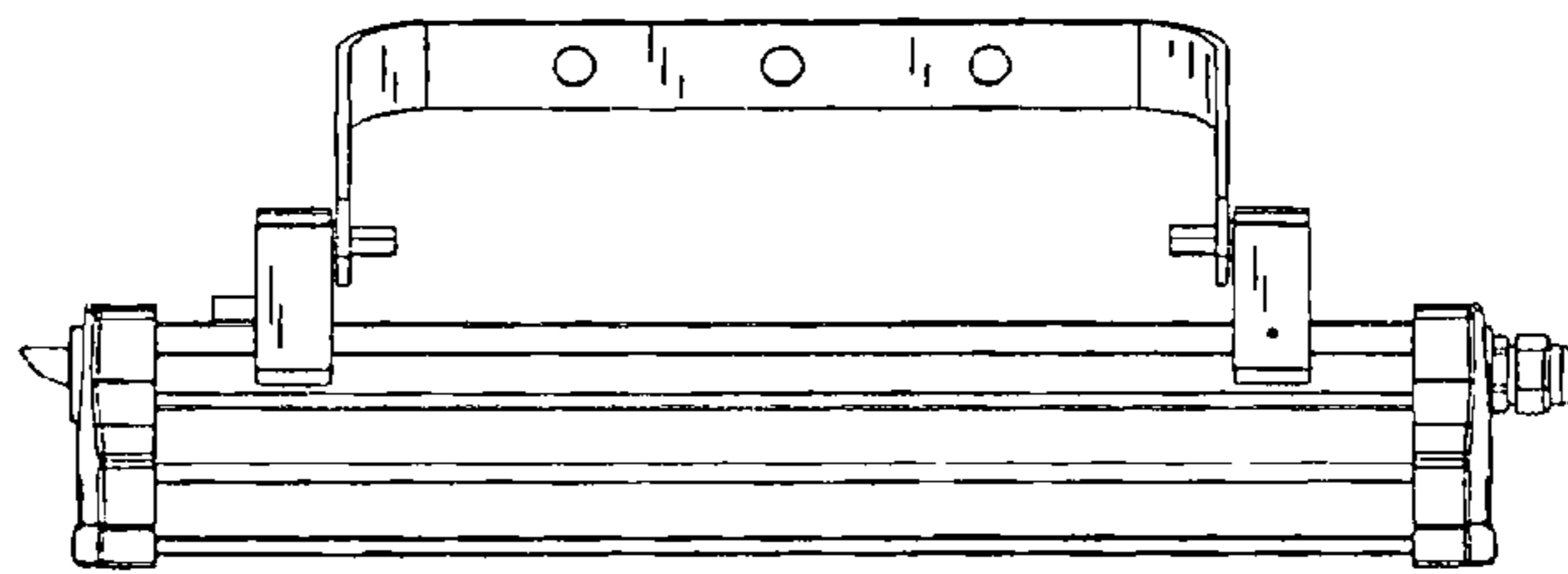


Fig. 5

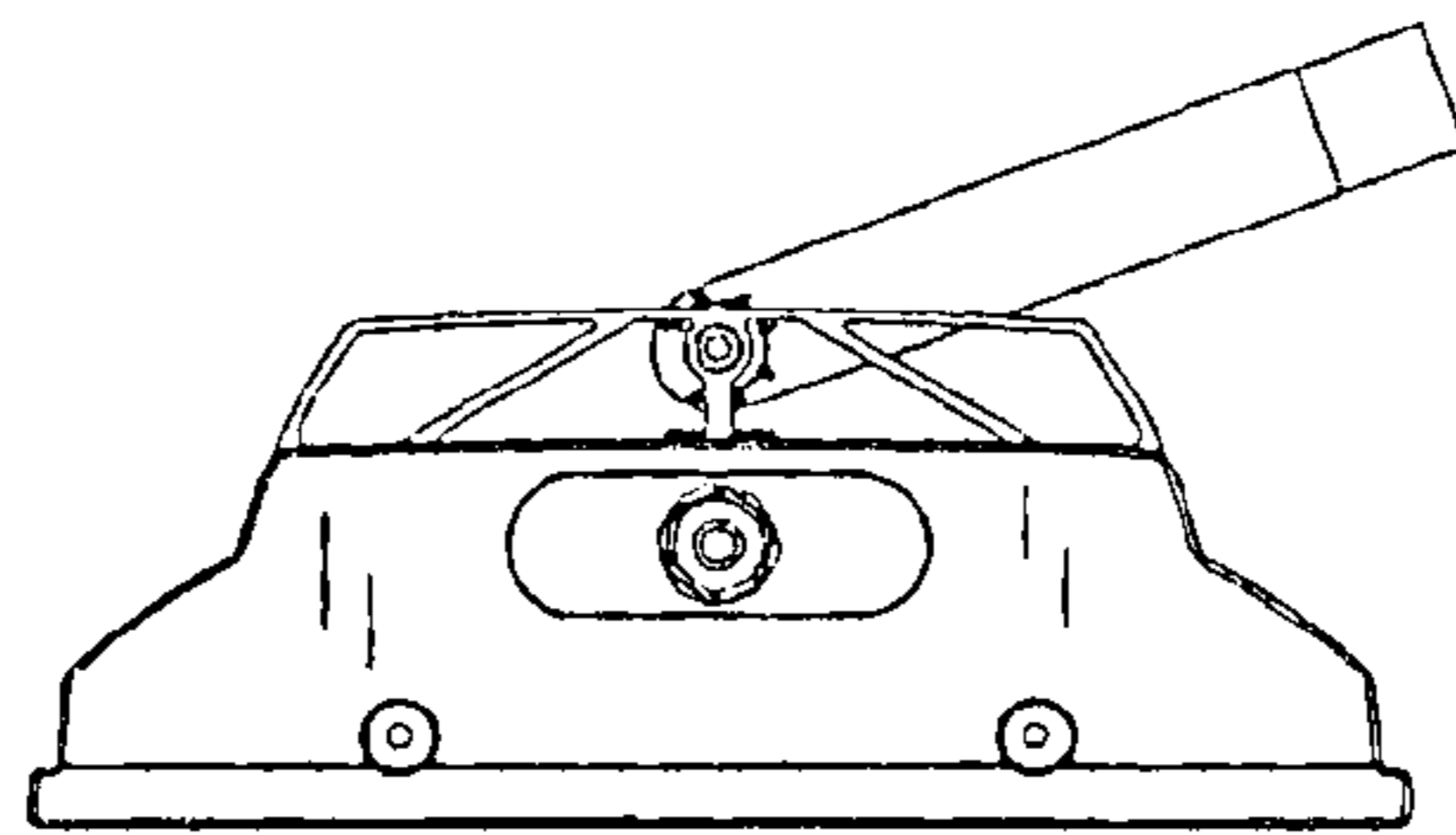


Fig. 6

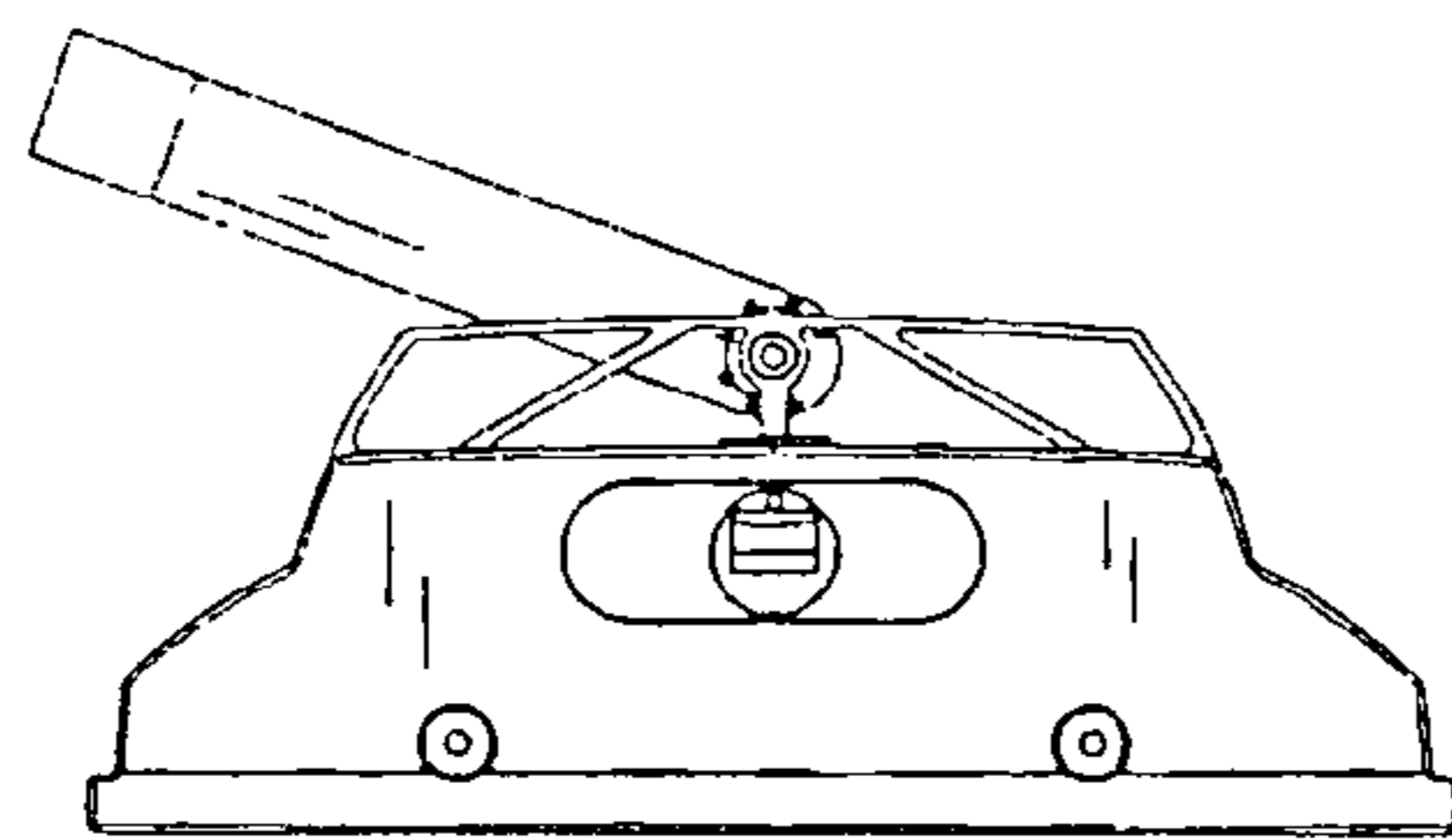


Fig. 7