



US00D667582S

(12) **United States Design Patent**
Toft

(10) **Patent No.:** **US D667,582 S**

(45) **Date of Patent:** **** Sep. 18, 2012**

(54) **LIGHT FIXTURE WITH MOVING HEAD**

D598,595 S * 8/2009 Levine D26/63
D605,339 S 12/2009 Quadri
D612,532 S 3/2010 Toft
D614,344 S 4/2010 Toft

(75) Inventor: **Uffe Kjaergaard Toft, Højbjerg (DK)**

(73) Assignee: **Martin Professional A/S (DK)**

(Continued)

(**) Term: **14 Years**

FOREIGN PATENT DOCUMENTS

EP 1001212 A2 5/2000

(21) Appl. No.: **29/396,680**

(Continued)

(22) Filed: **Jul. 5, 2011**

OTHER PUBLICATIONS

Written Opinion for PCT/DK2011/050040, Mailed May 16, 2011.

Related U.S. Application Data

(Continued)

(63) Continuation-in-part of application No. PCT/DK2011/050040, filed on Feb. 11, 2011.

(51) **LOC (9) Cl.** **26-05**

Primary Examiner — Susan M Lee

(52) **U.S. Cl.** **D26/63**

Assistant Examiner — Linda G. Brooks

(58) **Field of Classification Search** D26/60–66,
D26/93, 106, 108; 362/410–414, 418, 800,
362/157, 174–177, 257, 269, 270, 274, 275,
362/277, 278, 280–285, 287, 288, 419, 427,
362/449, 190, 191, 371–373, 264, 271, 319,
362/430, 213, 416, 417, 420–426, 220, 211,
362/268, 227, 232, 249.02, 249.03, 249.04,
362/249.07–249.09, 249.1, 249.11, 236,
362/240

(74) *Attorney, Agent, or Firm* — Dykema Gossett PLLC

See application file for complete search history.

(57) **CLAIM**

The ornamental design for a light fixture with moving head, as shown and described.

(56) **References Cited**

DESCRIPTION

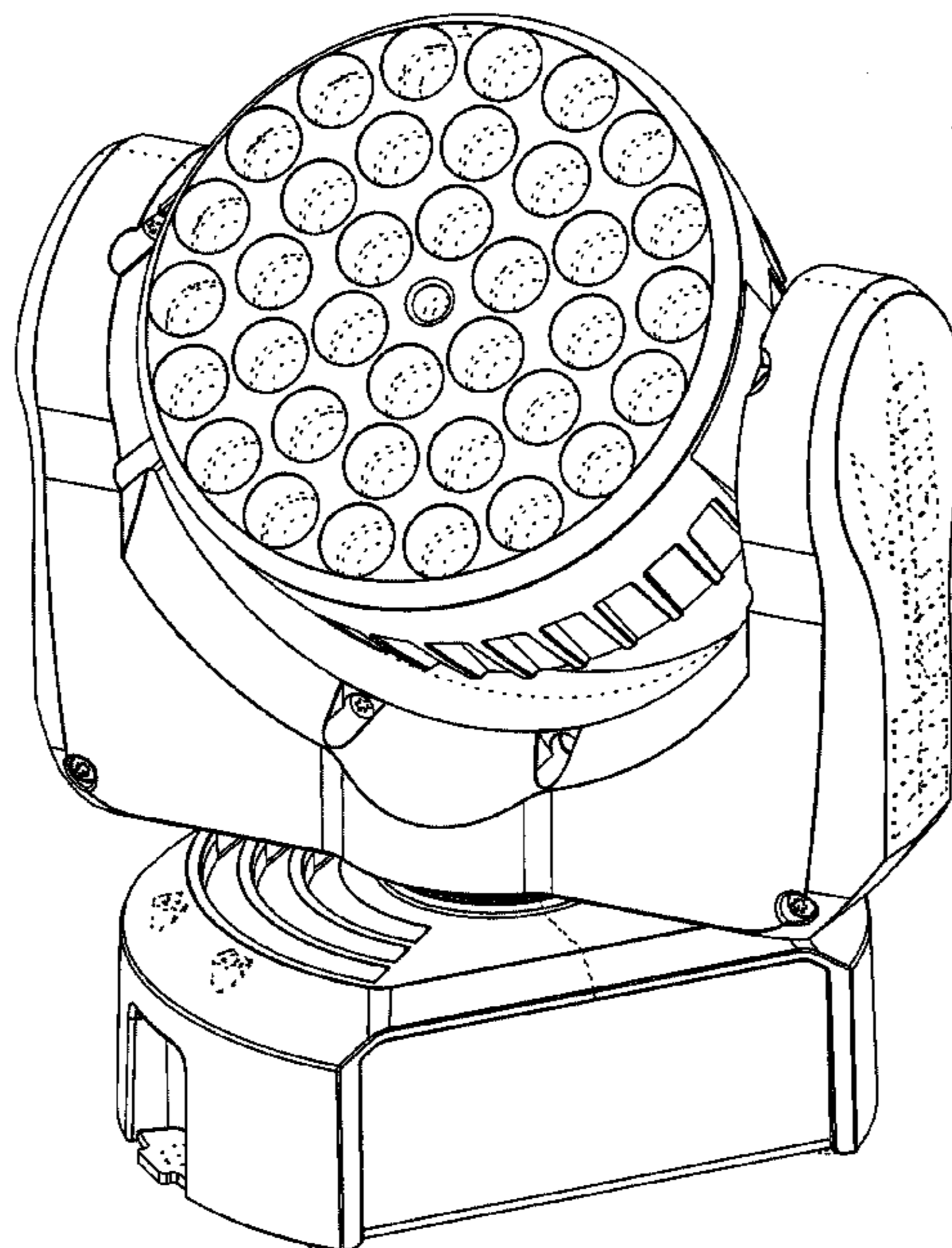
U.S. PATENT DOCUMENTS

D322,136 S 12/1991 Shima et al.
D417,300 S 11/1999 Stacy et al.
D439,356 S 3/2001 Martinson et al.
D457,673 S 5/2002 Martinson et al.
D492,436 S 6/2004 Smith et al.
D496,744 S 9/2004 Smith et al.
D589,636 S * 3/2009 Pinette D26/63

FIG. 1 is a front perspective view for a light fixture with moving head showing my new design;
FIG. 2 is rear perspective view thereof;
FIG. 3 is a front elevational view thereof, with the light fixture's head in an alternate position;
FIG. 4 is a rear elevational view of FIG. 3;
FIG. 5 is a left side elevational view of FIG. 3;
FIG. 6 is a right side elevational view of FIG. 3;
FIG. 7 is a top plan view of FIG. 3; and,
FIG. 8 is a bottom plan view of FIG. 3.

The broken lines showing elements of the lighting fixture in FIGS. 1-8 form no part of the claimed design.

1 Claim, 8 Drawing Sheets



US D667,582 S

Page 2

U.S. PATENT DOCUMENTS

D618,377 S 6/2010 Toft
D620,187 S 7/2010 Quadri
7,789,525 B2* 9/2010 Vinther 362/190
D629,547 S * 12/2010 Salm D26/63
D638,573 S 5/2011 Toft
D639,983 S 6/2011 Quadri
2004/0070984 A1 4/2004 Smith et al.
2009/0323364 A1 12/2009 Bornhorst et al.
2011/0199770 A1* 8/2011 Pedersen 362/249.03
2011/0235330 A1* 9/2011 Pedersen et al. 362/249.03

FOREIGN PATENT DOCUMENTS

EP 1898145 A1 3/2008

OTHER PUBLICATIONS

International Search Report for PCT/DK2011/050040, Mailed May 16, 2011.

Danish Search Report for Danish Application No. PA2010 00127, date completed Sep. 30, 2010.

Office Action for Danish Application No. PA 2010 00127, Mailed Oct. 1, 2010.

* cited by examiner

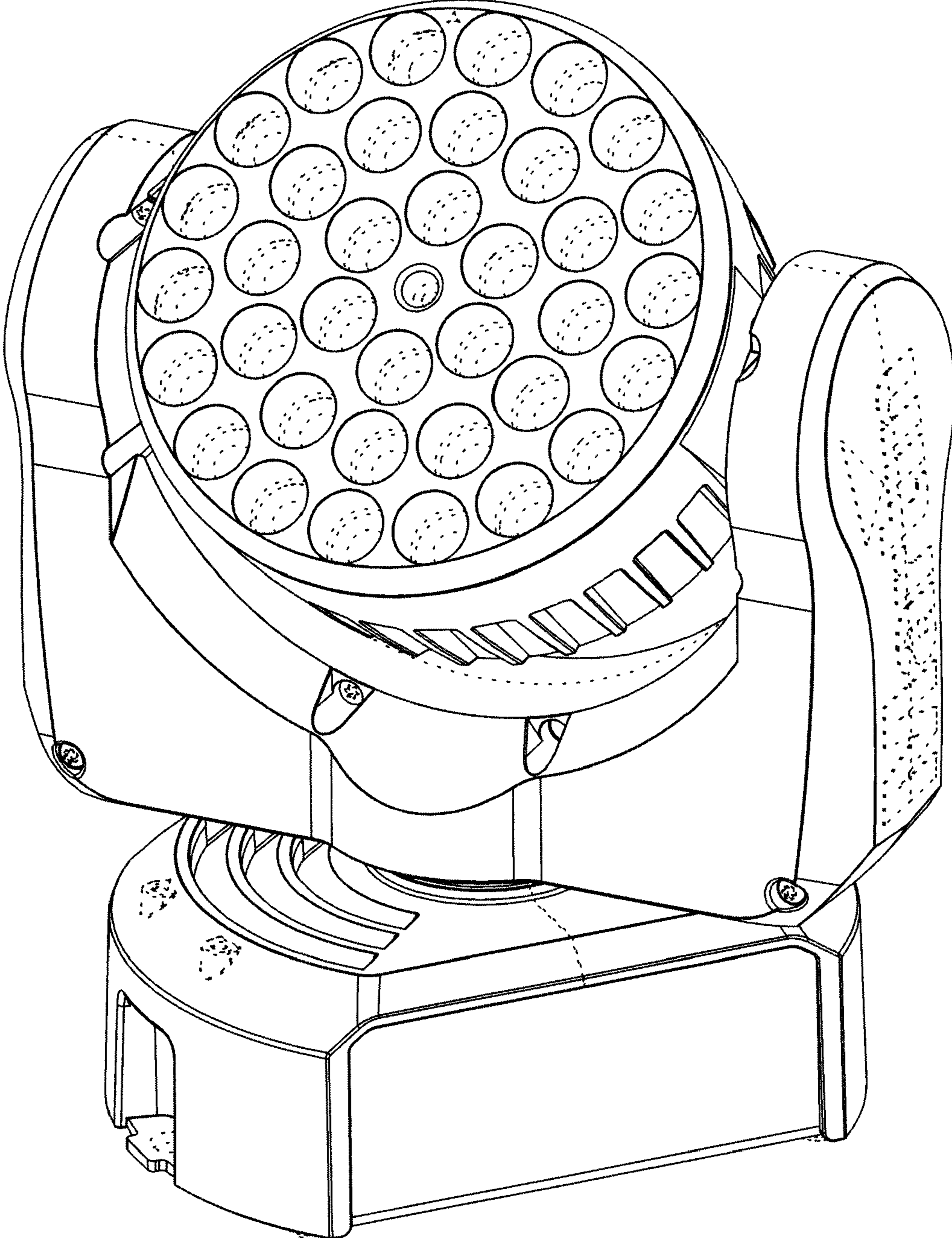


Fig. 1

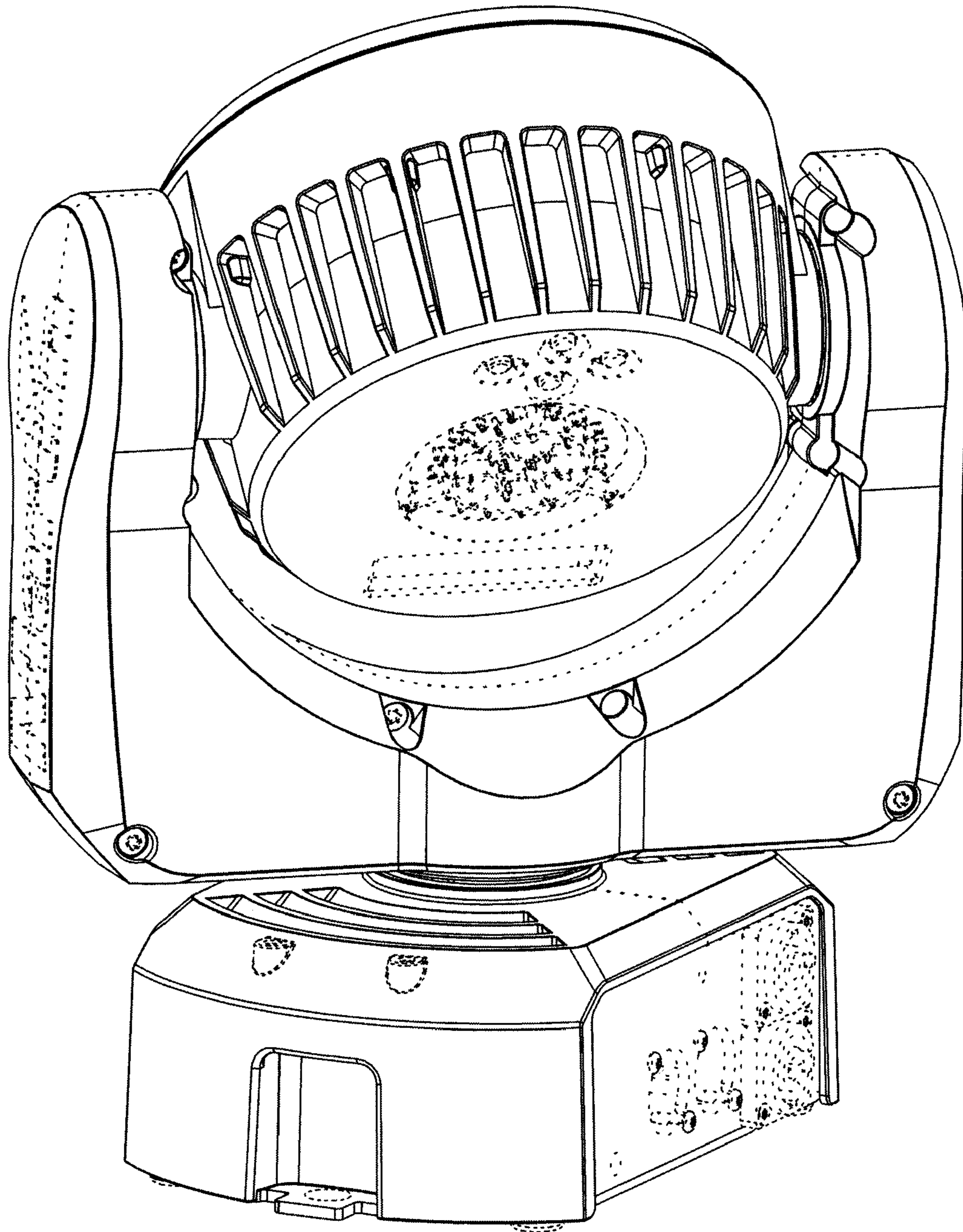


Fig. 2

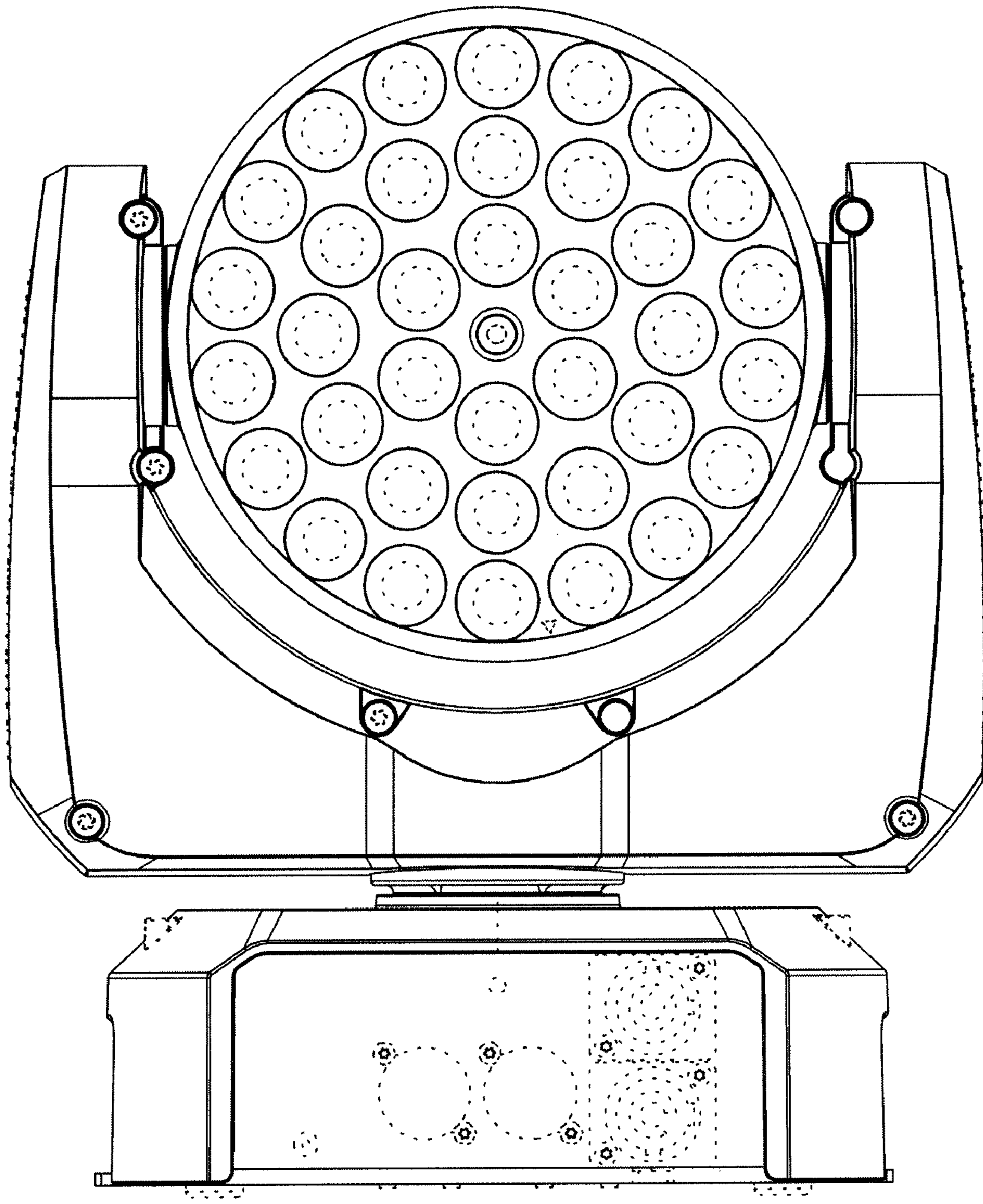


Fig. 3

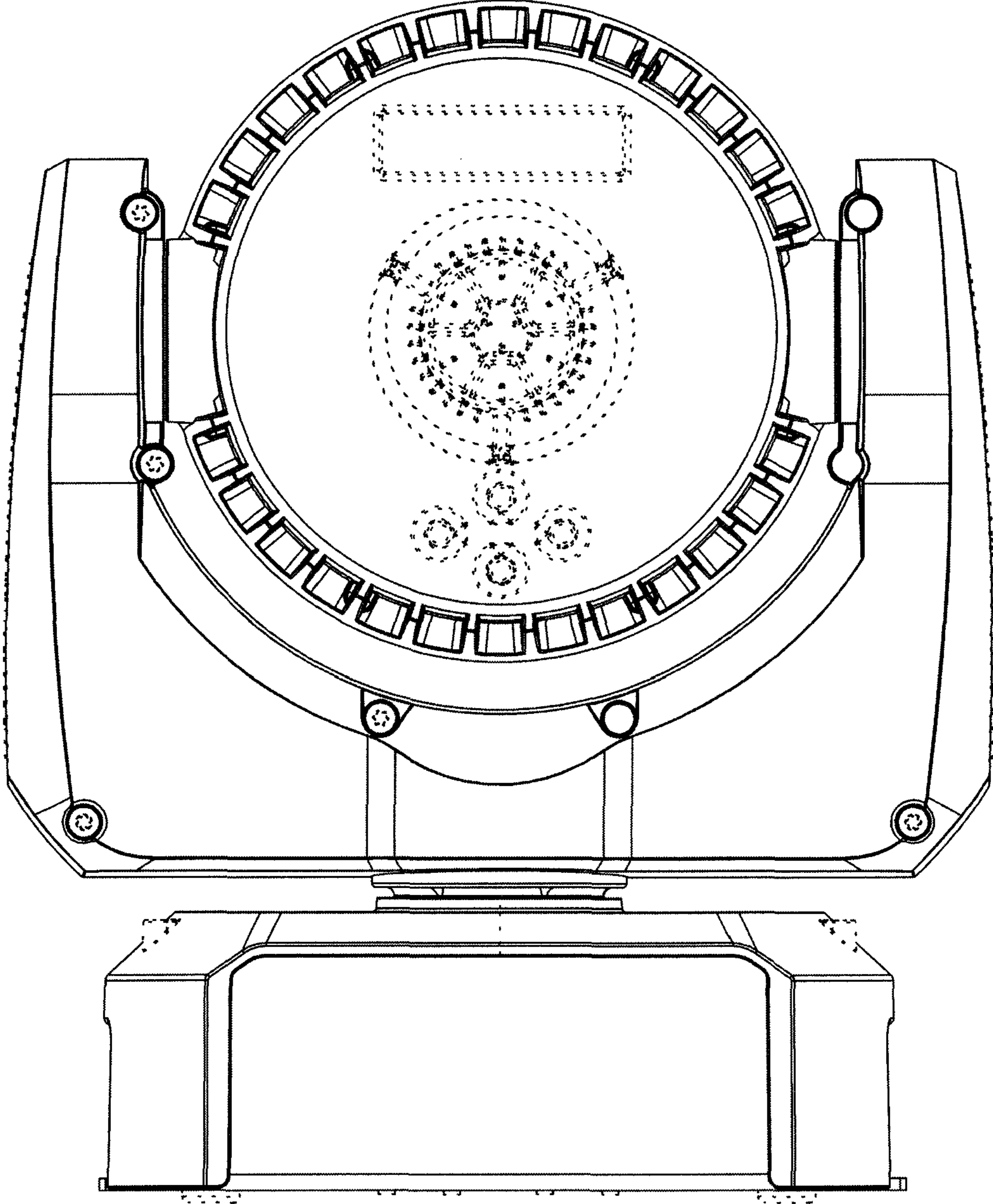


Fig. 4

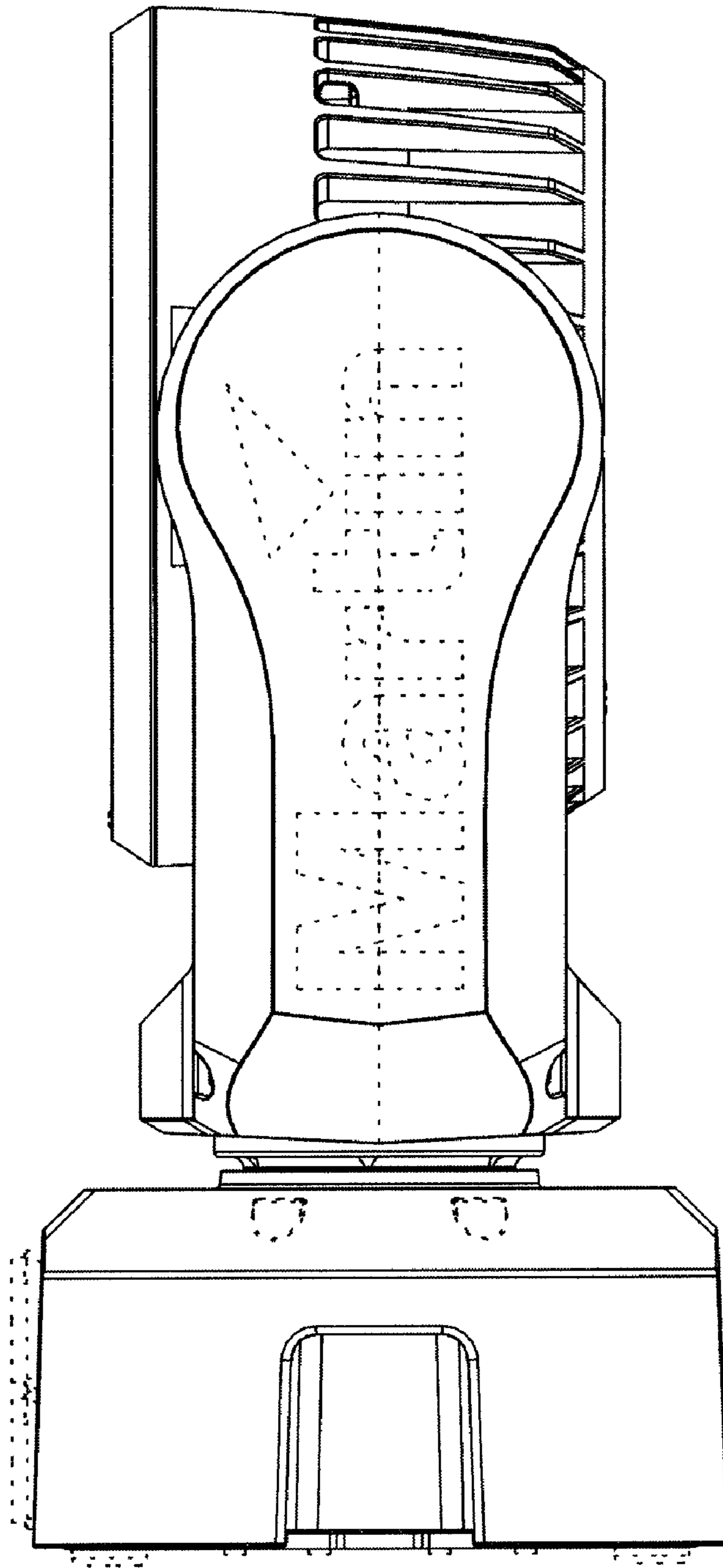


Fig. 5

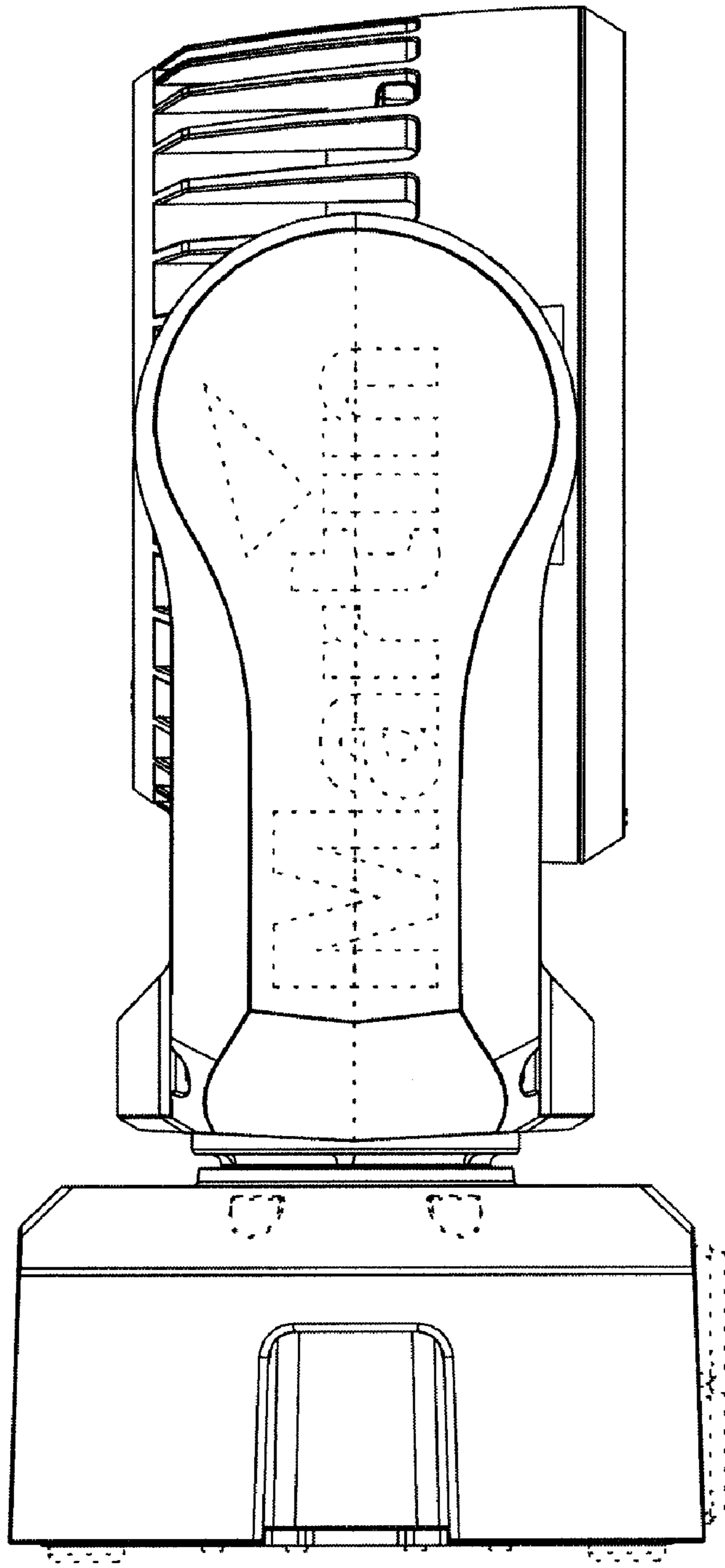


Fig. 6

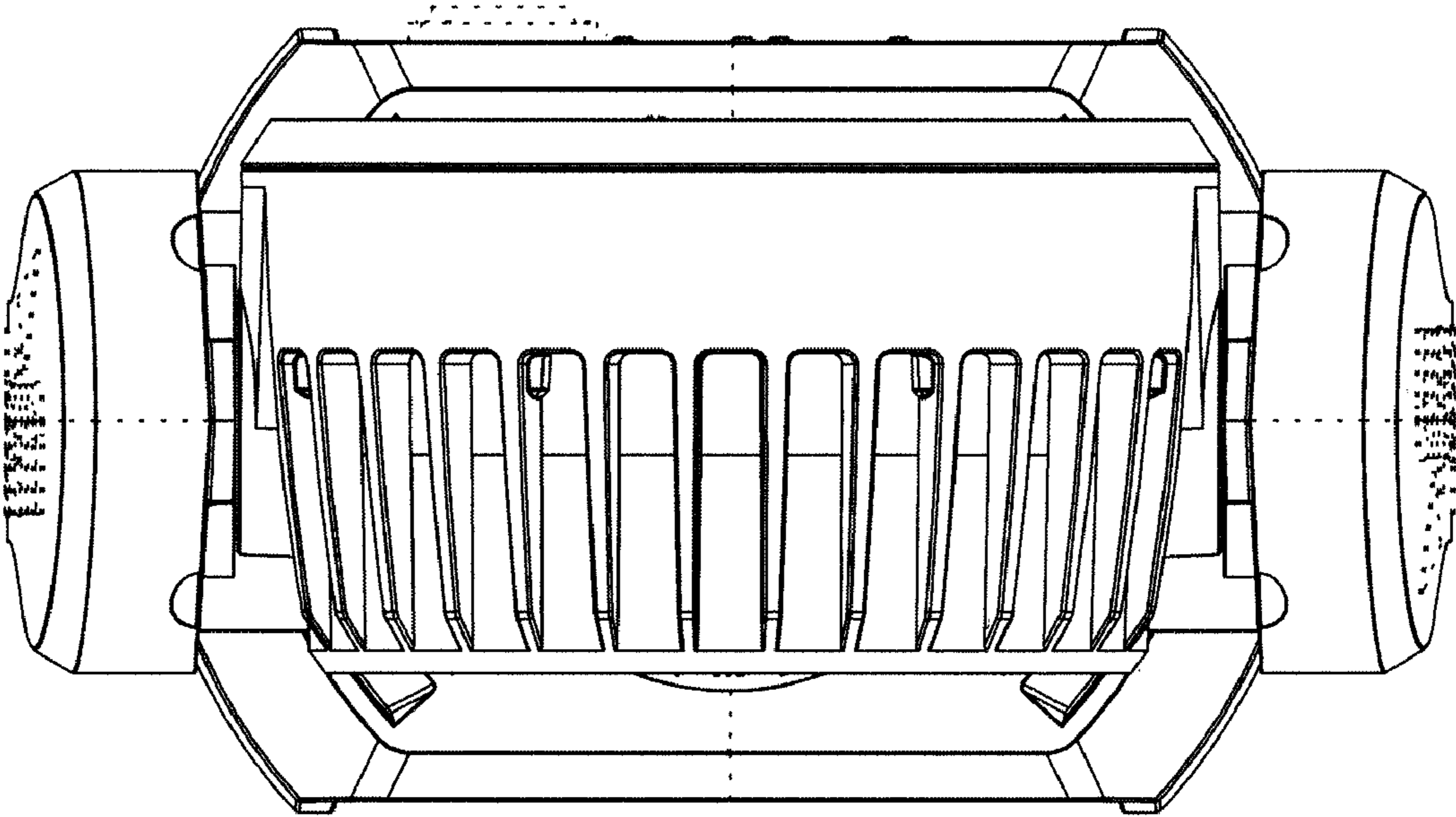


Fig. 7

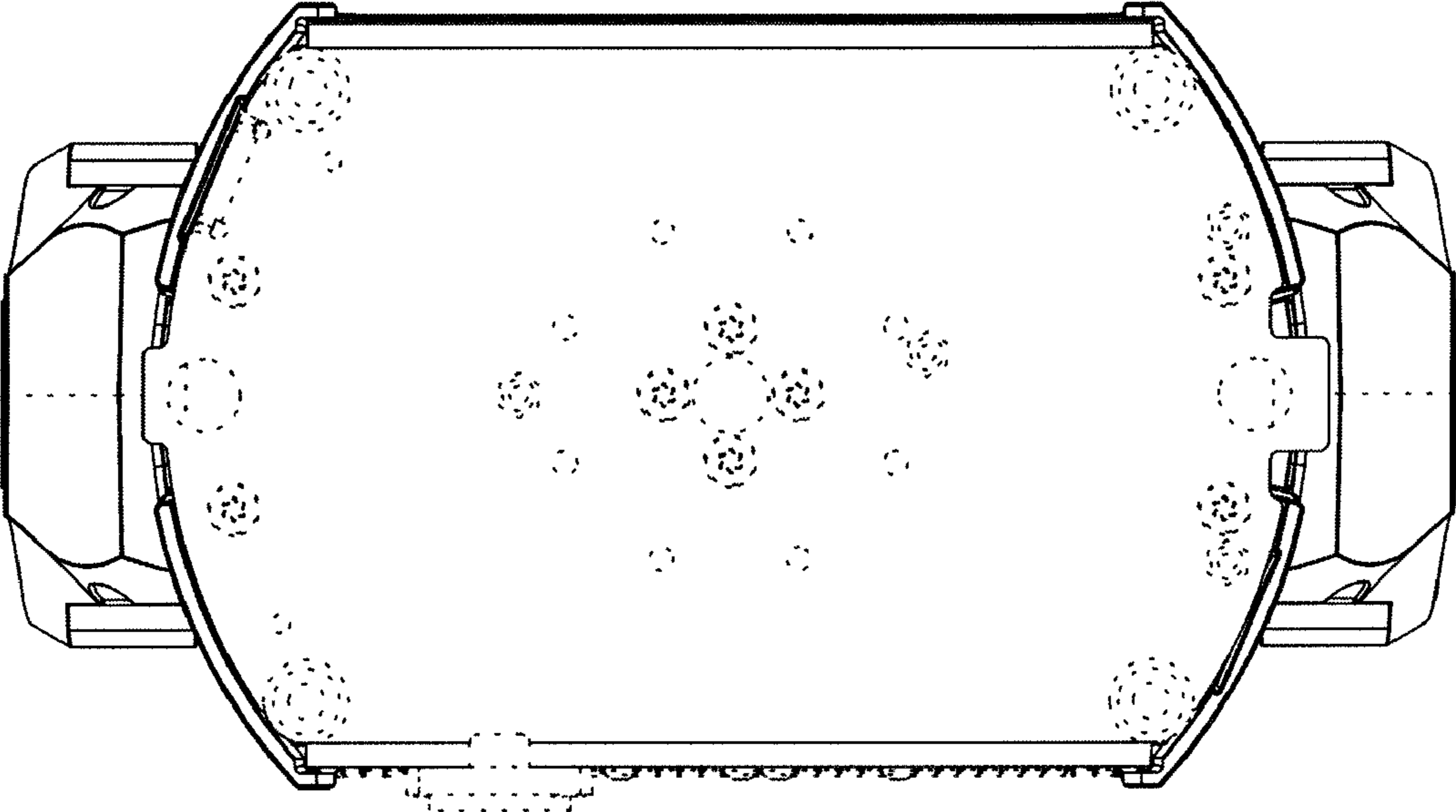


Fig. 8