

US00D667581S

(12) **United States Design Patent**
Lee

(10) **Patent No.:** **US D667,581 S**
(45) **Date of Patent:** **** Sep. 18, 2012**

(54) **BICYCLE LIGHT**

(76) Inventor: **Wen-Sung Lee**, Taichung (TW)

(**) Term: **14 Years**

(21) Appl. No.: **29/404,210**

(22) Filed: **Oct. 18, 2011**

(51) **LOC (9) Cl.** **26-05**

(52) **U.S. Cl.** **D26/60; D26/28**

(58) **Field of Classification Search** D26/60,
D26/63, 28-37; 362/196, 473-477, 486,
362/459, 460, 464, 465, 183, 186, 187, 188,
362/189, 191, 194, 195, 197, 198, 199, 202,
362/205, 508, 512, 523, 200, 396

See application file for complete search history.

(56) **References Cited**

U.S. PATENT DOCUMENTS

D584,840 S *	1/2009	Okuda et al.	D26/28
D588,722 S *	3/2009	Cheng	D26/28
D605,790 S *	12/2009	Hsing-Tsun	D26/28
D609,378 S *	2/2010	Lee	D26/60

D609,379 S * 2/2010 Lee D26/60

* cited by examiner

Primary Examiner — Susan M Lee

Assistant Examiner — Linda G. Brooks

(57) **CLAIM**

The ornamental design for a bicycle light, as shown and described.

DESCRIPTION

FIG. 1 is a perspective view of a bicycle light showing my new design;

FIG. 2 is a front elevational view thereof;

FIG. 3 is a rear elevational view thereof;

FIG. 4 is a left side view thereof;

FIG. 5 is a right side view thereof;

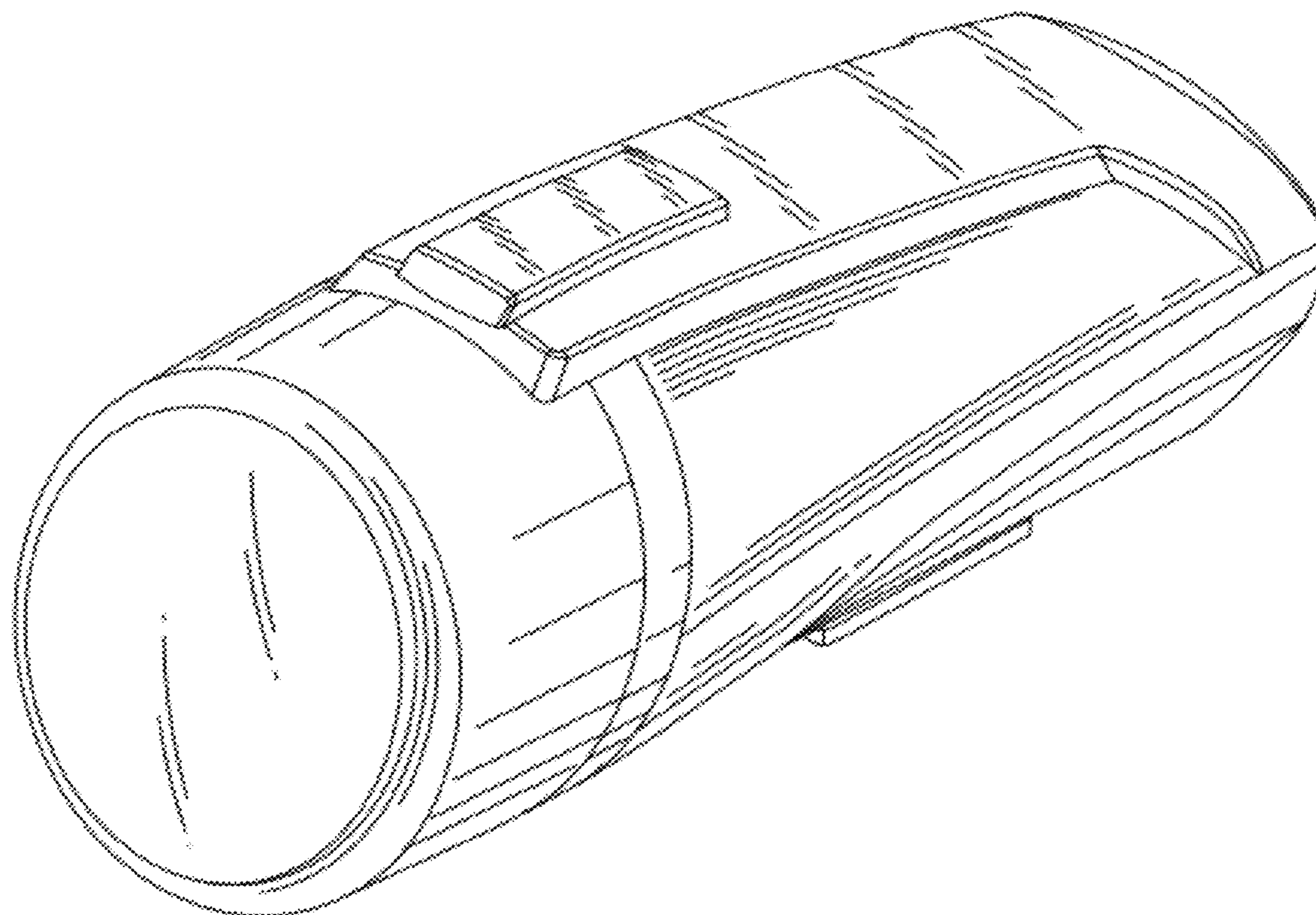
FIG. 6 is a top plan view thereof;

FIG. 7 is a bottom plan view thereof; and,

FIG. 8 is a perspective view thereof for showing the present design as fixed on a bracket.

The broken lines in FIG. 8 illustrate environmental structure that forms no part of the claimed design.

1 Claim, 6 Drawing Sheets



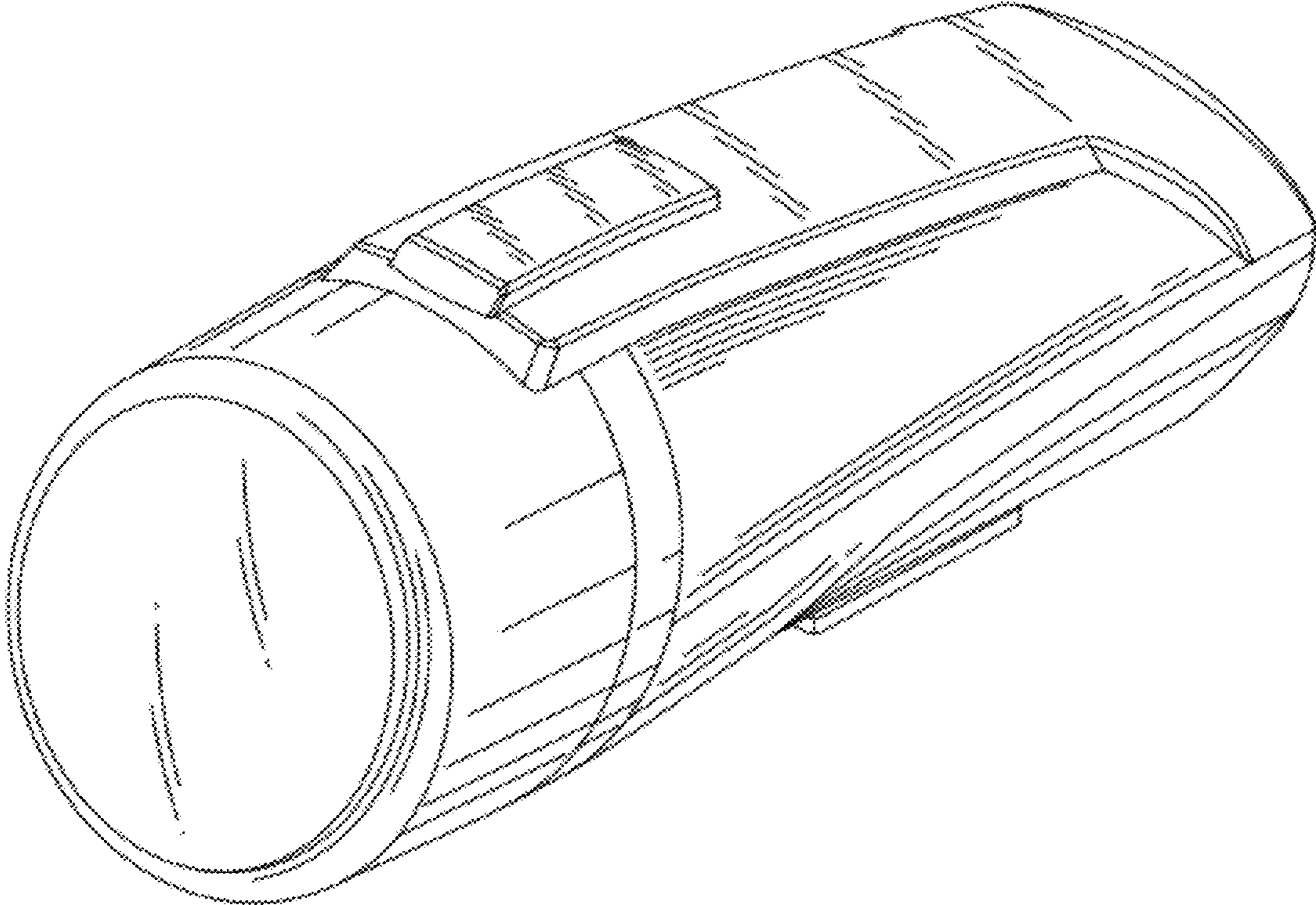


FIG. 1

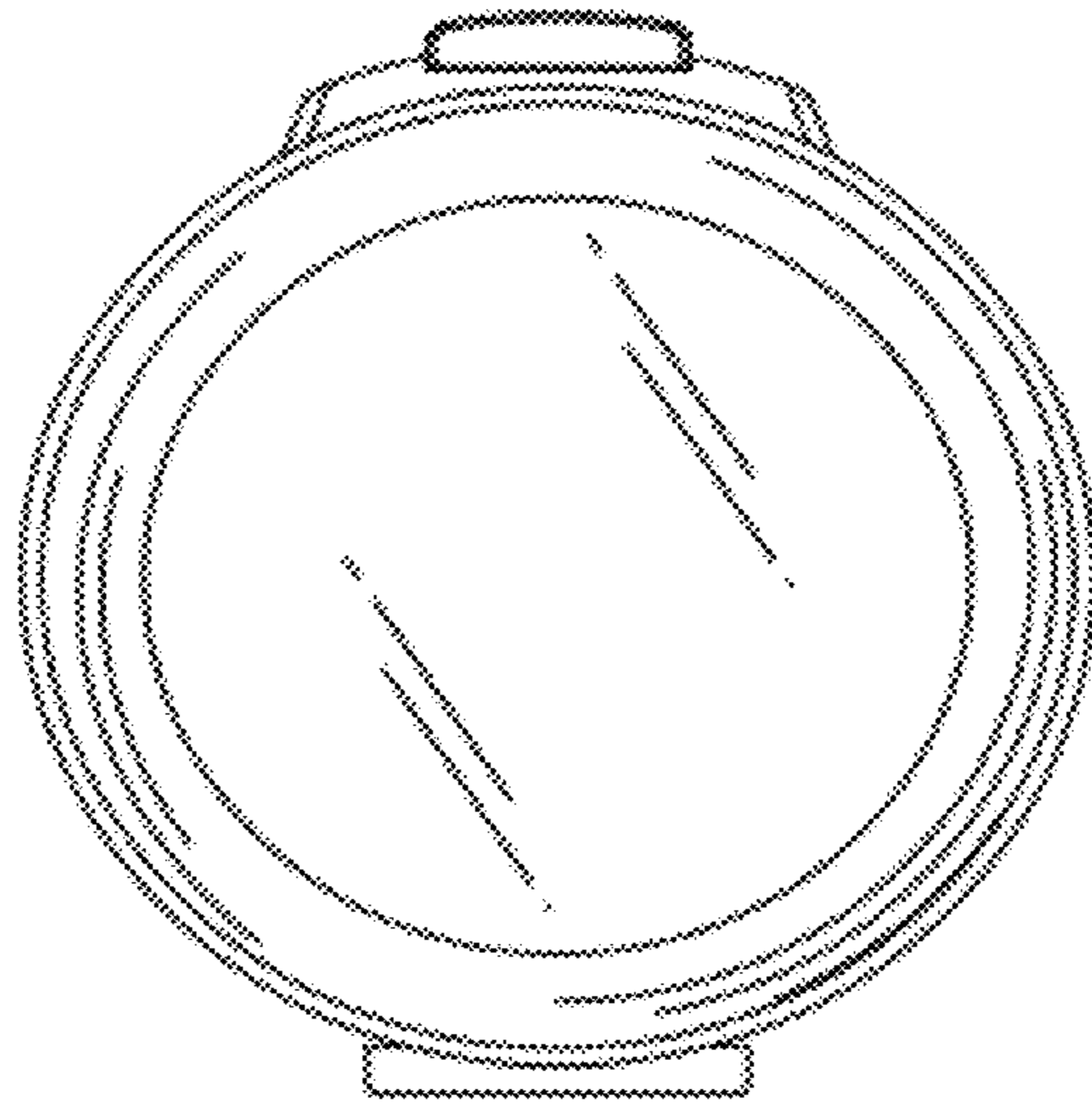


FIG. 2

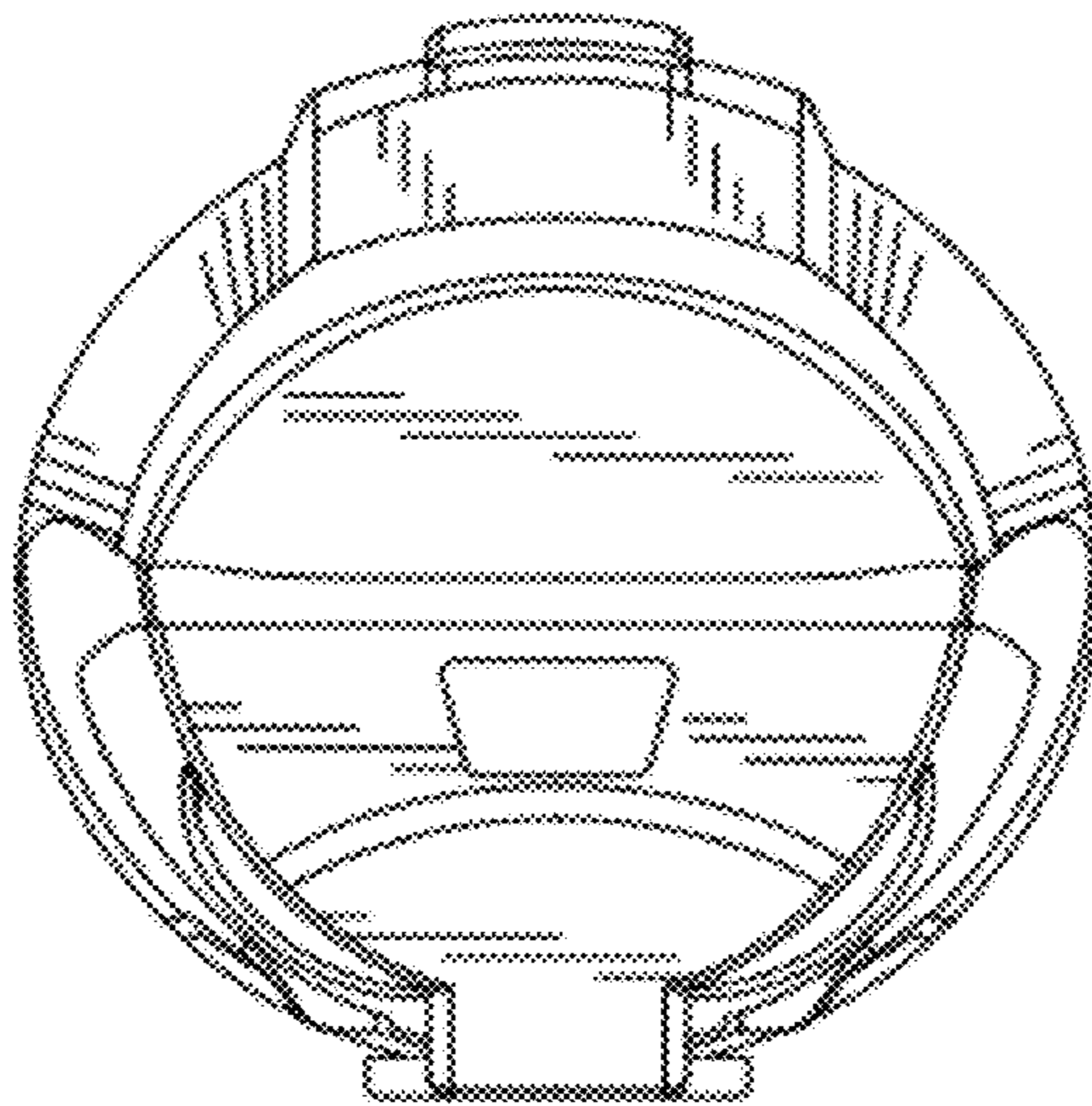


FIG. 3

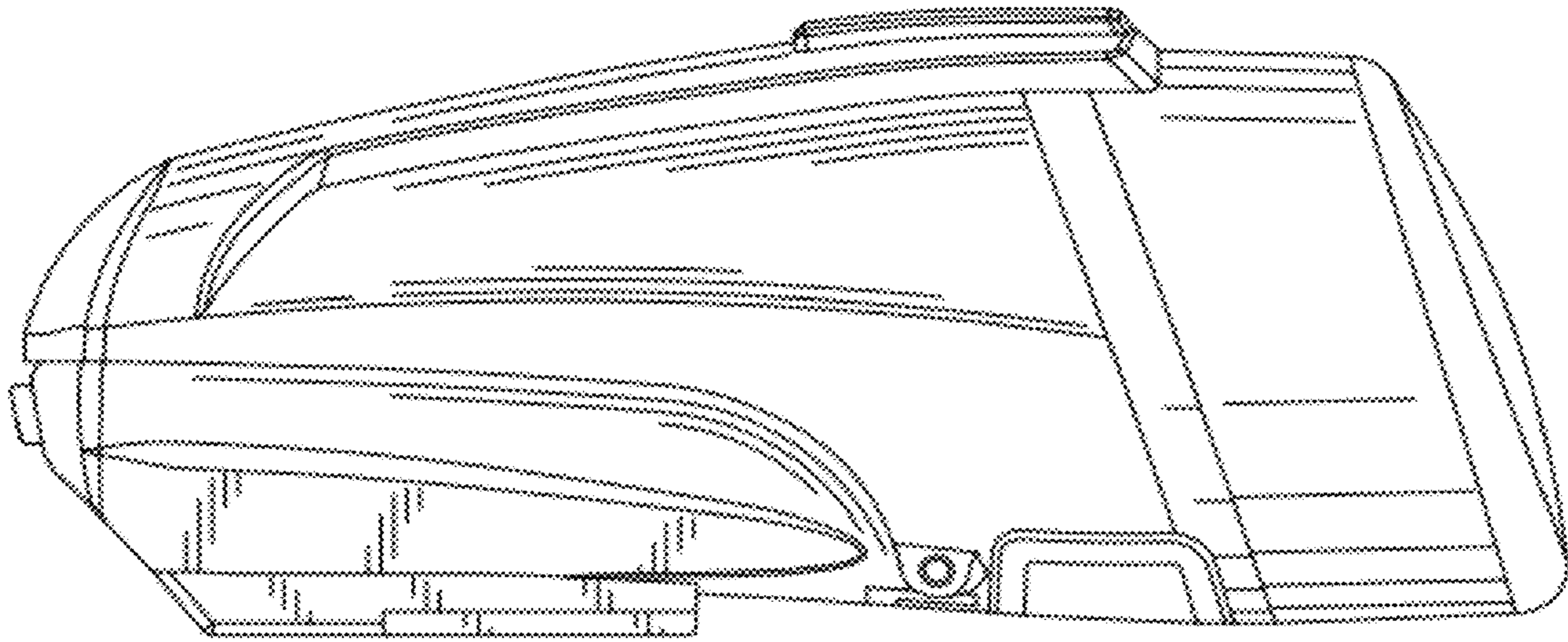


FIG. 4

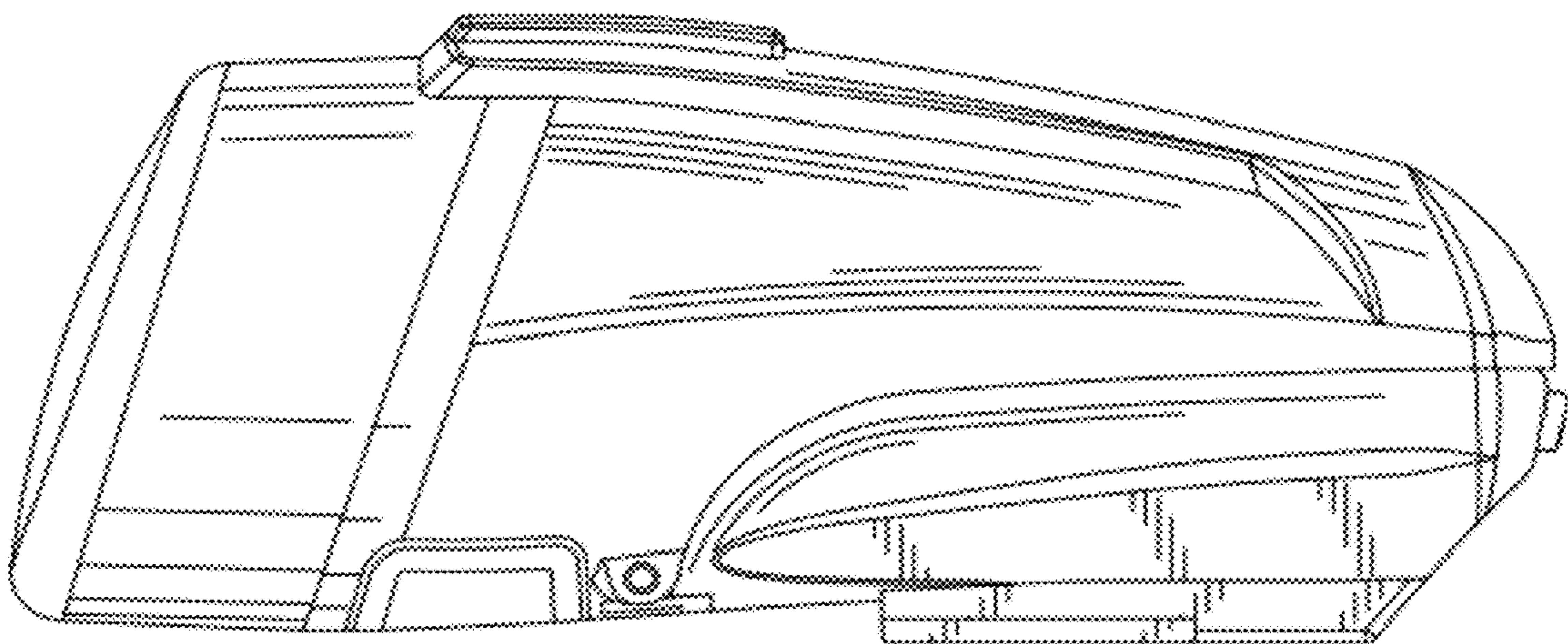


FIG. 5

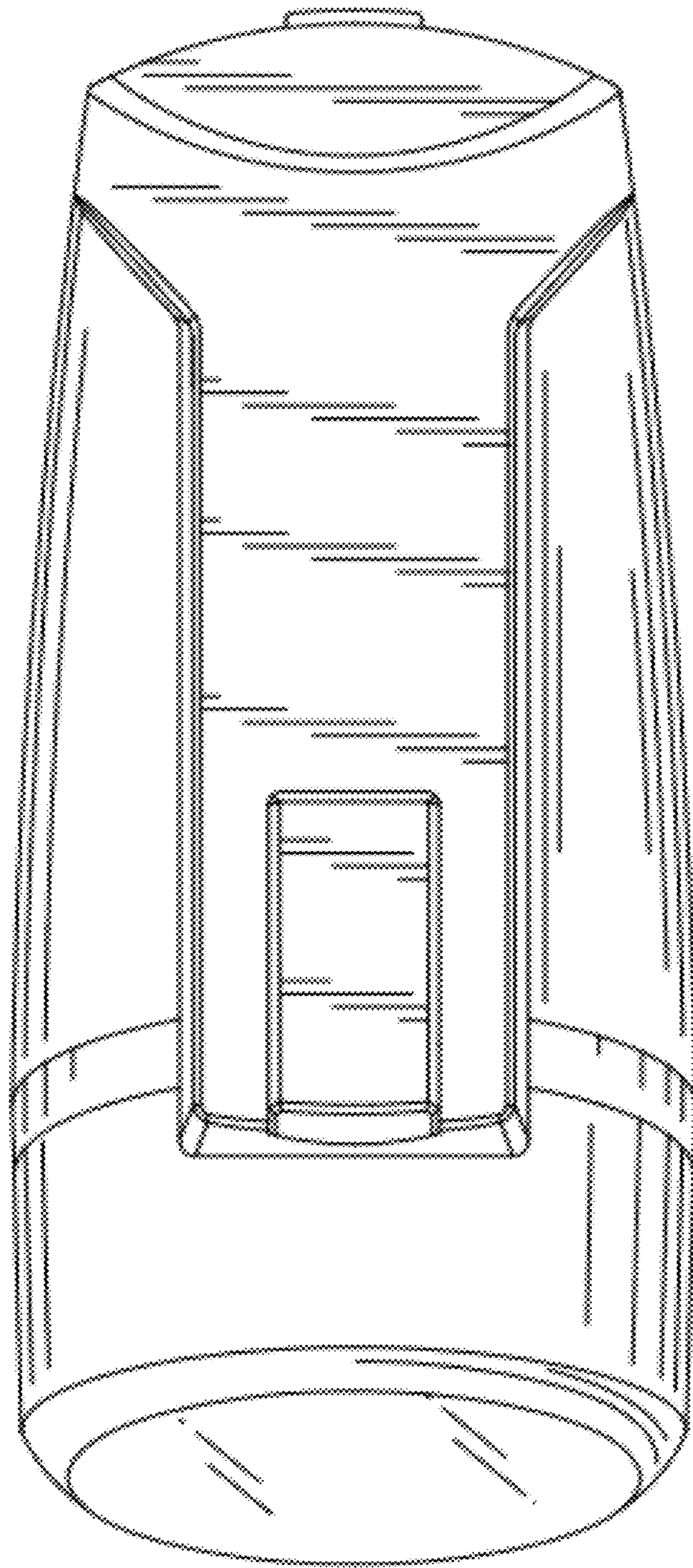


FIG. 6

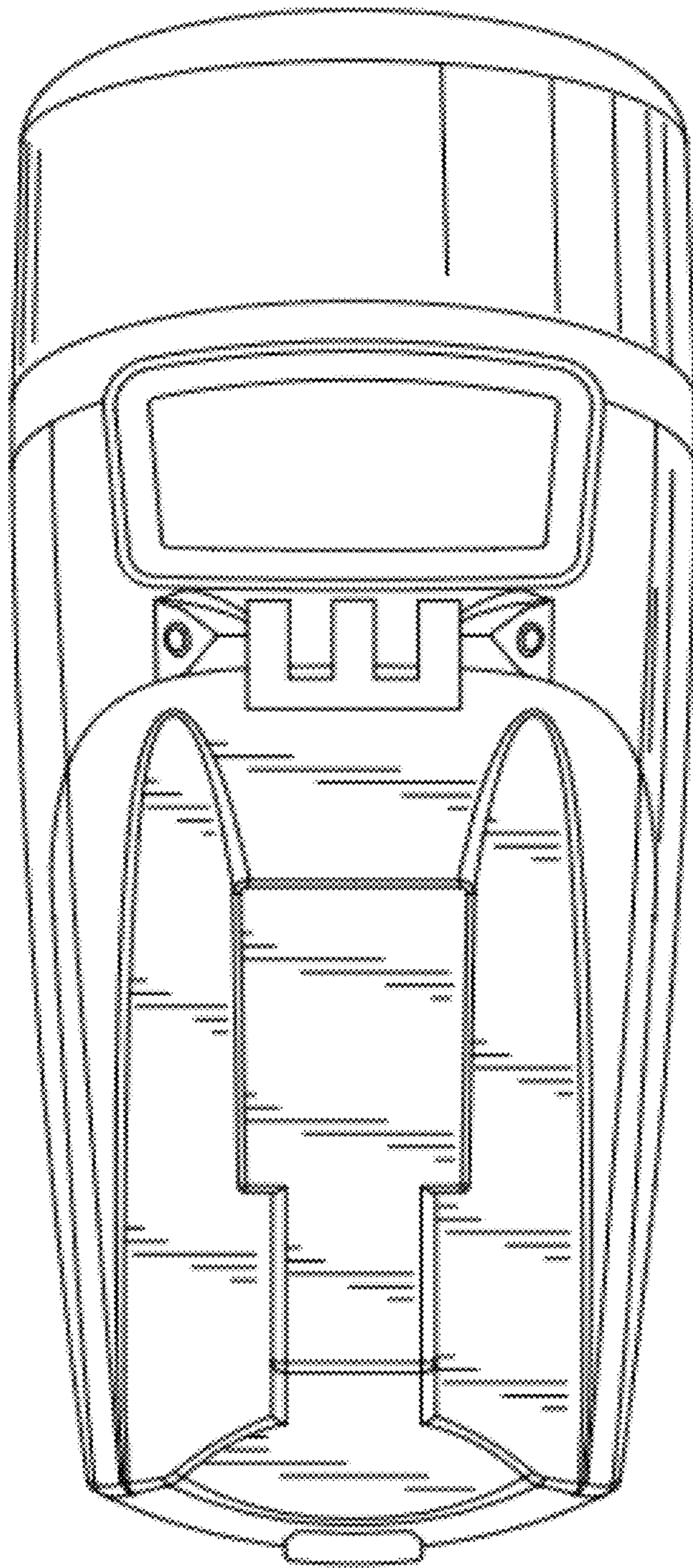


FIG. 7

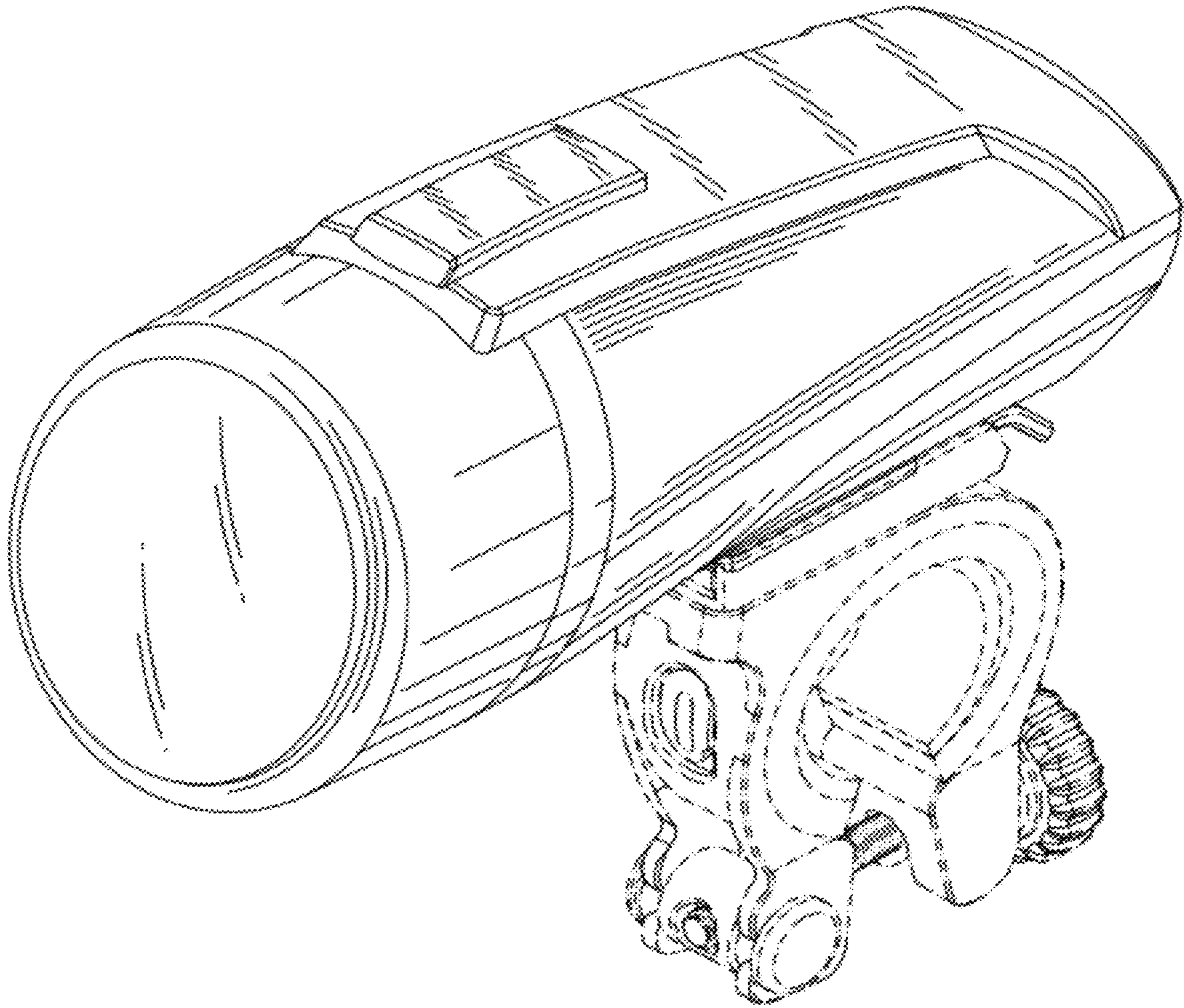


FIG. 8