

US00D667580S

(12) **United States Design Patent**  
**Lee**

(10) **Patent No.:** **US D667,580 S**  
(45) **Date of Patent:** **\*\* Sep. 18, 2012**

- (54) **HEADLIGHT FOR A BICYCLE**
- (76) Inventor: **Wen-Sung Lee**, Taichung (TW)
- (\*\*) Term: **14 Years**
- (21) Appl. No.: **29/400,767**
- (22) Filed: **Sep. 1, 2011**
- (51) **LOC (9) Cl.** ..... **26-05**
- (52) **U.S. Cl.** ..... **D26/60; D26/28**
- (58) **Field of Classification Search** ..... D26/60,  
D26/63, 28-37; 362/196, 473-477, 486,  
362/459, 460, 464, 465, 183, 186, 187, 188,  
362/189, 191, 194, 195, 197, 198, 199, 202,  
362/205, 508, 512, 523, 200, 396  
See application file for complete search history.

- D605,790 S \* 12/2009 Hsing-Tsun ..... D26/28
- D609,378 S \* 2/2010 Lee ..... D26/60
- D609,379 S \* 2/2010 Lee ..... D26/60

\* cited by examiner

*Primary Examiner* — Susan M Lee  
*Assistant Examiner* — Linda G. Brooks

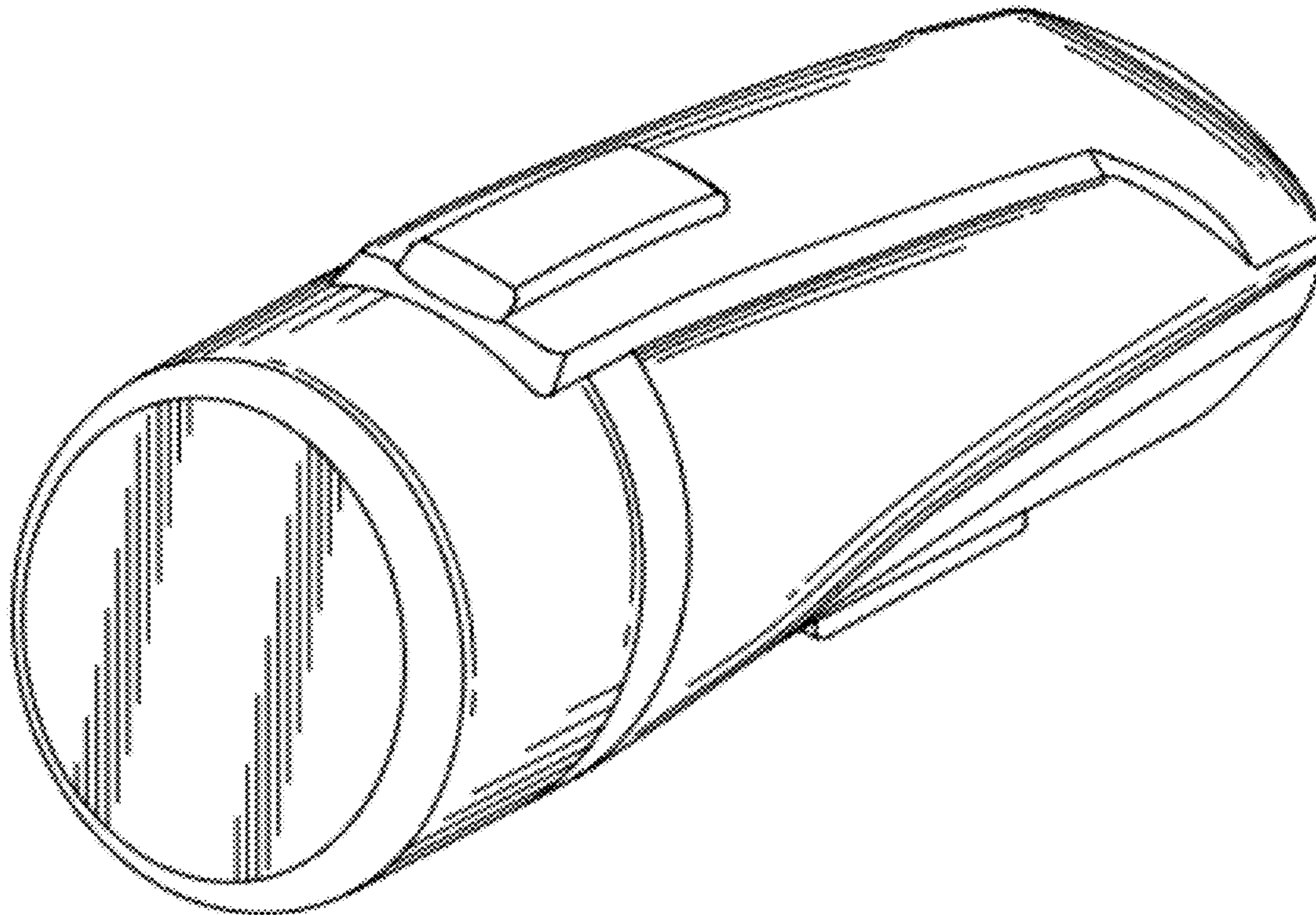
(57) **CLAIM**  
The ornamental design for a headlight for a bicycle, as shown and described.

**DESCRIPTION**

FIG. 1 is a perspective view of a headlight for a bicycle showing my new design;  
FIG. 2 is a front elevational view thereof;  
FIG. 3 is a rear elevational view thereof;  
FIG. 4 is a left side view thereof;  
FIG. 5 is a right side view thereof;  
FIG. 6 is a top plan view thereof;  
FIG. 7 is a bottom plan view thereof; and,  
FIG. 8 is another perspective view thereof.

- (56) **References Cited**
- U.S. PATENT DOCUMENTS
- D584,840 S \* 1/2009 Okuda et al. .... D26/28
- D588,722 S \* 3/2009 Cheng ..... D26/28

**1 Claim, 6 Drawing Sheets**



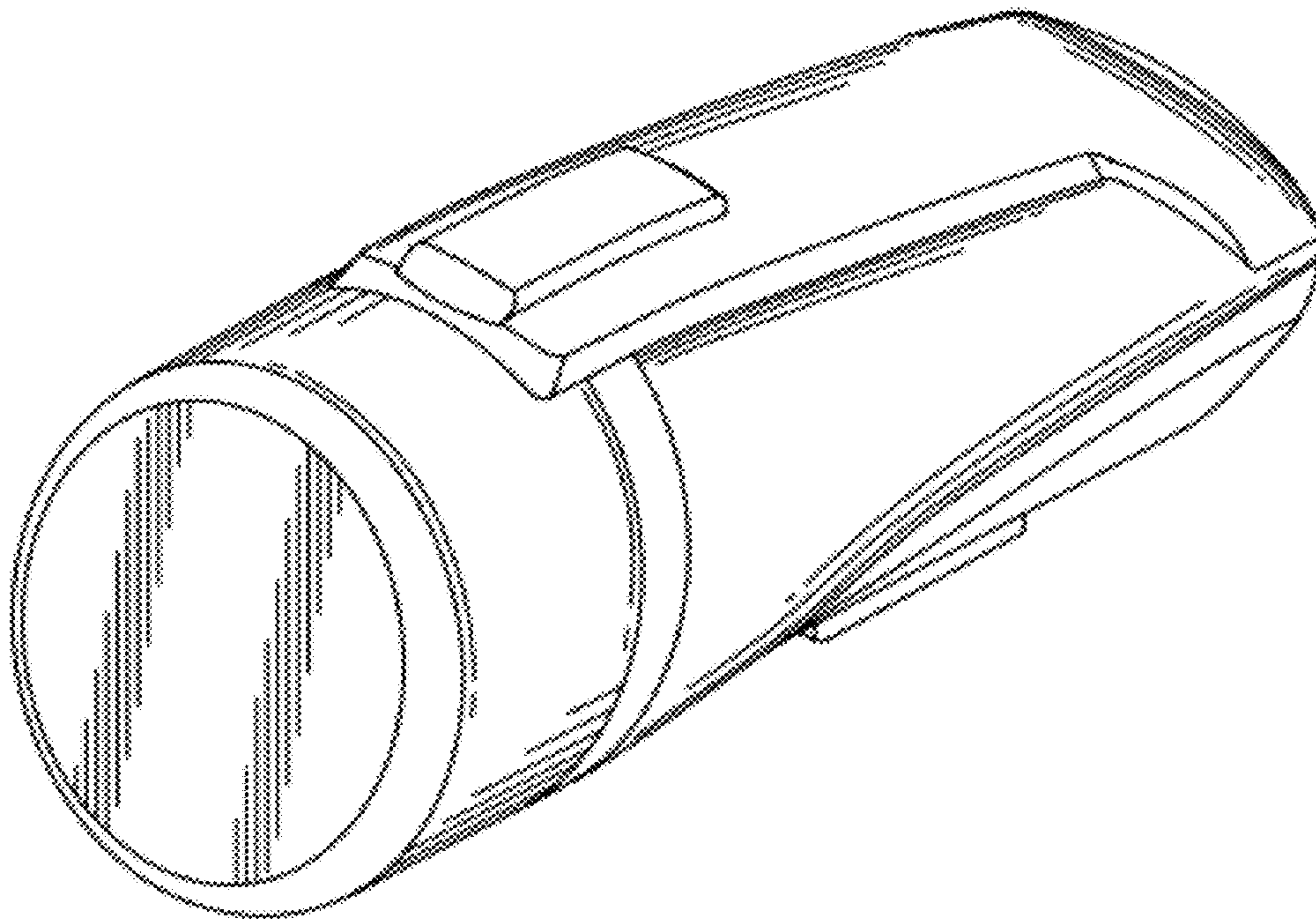


FIG. 1

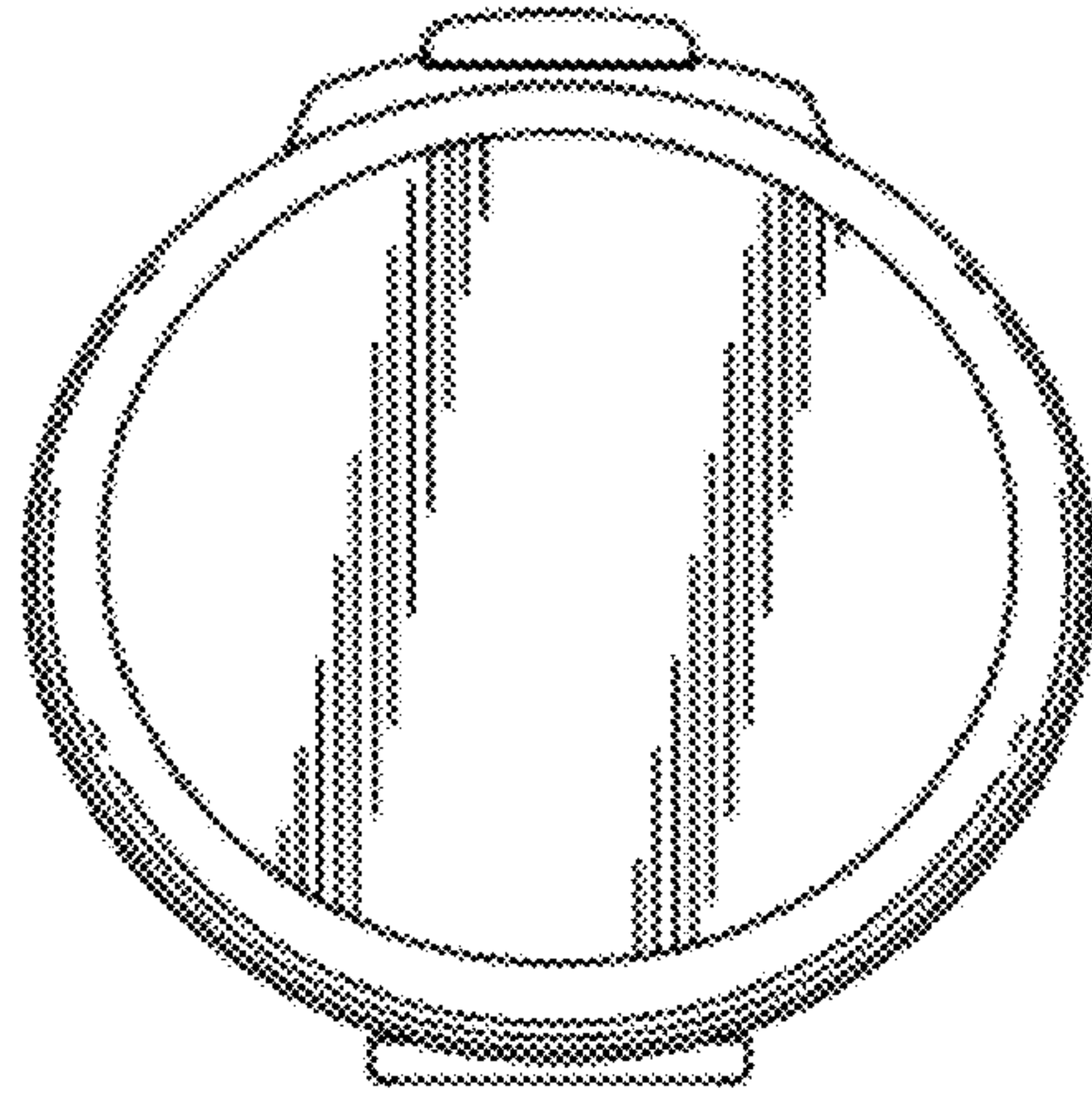


FIG. 2

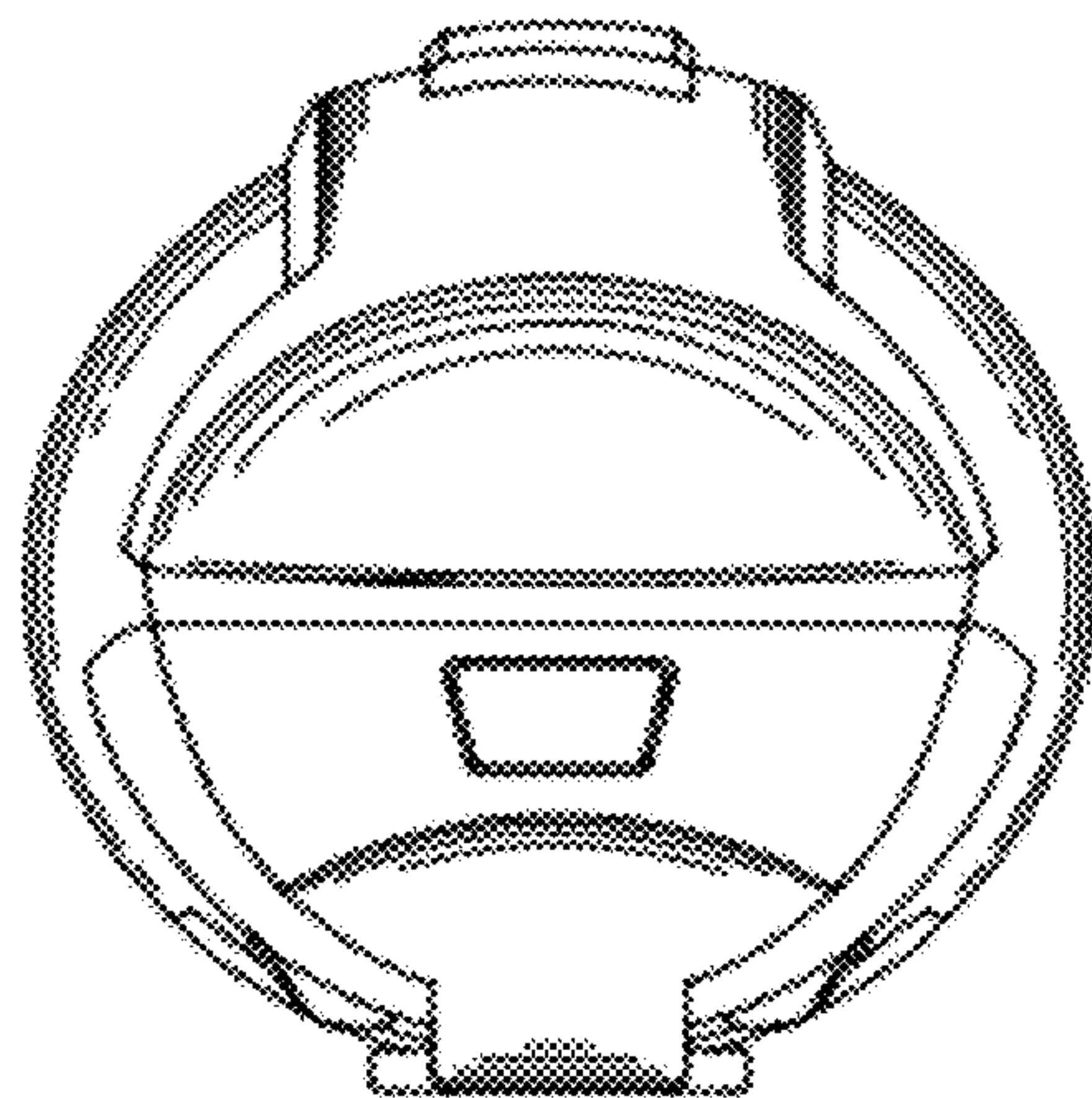


FIG. 3



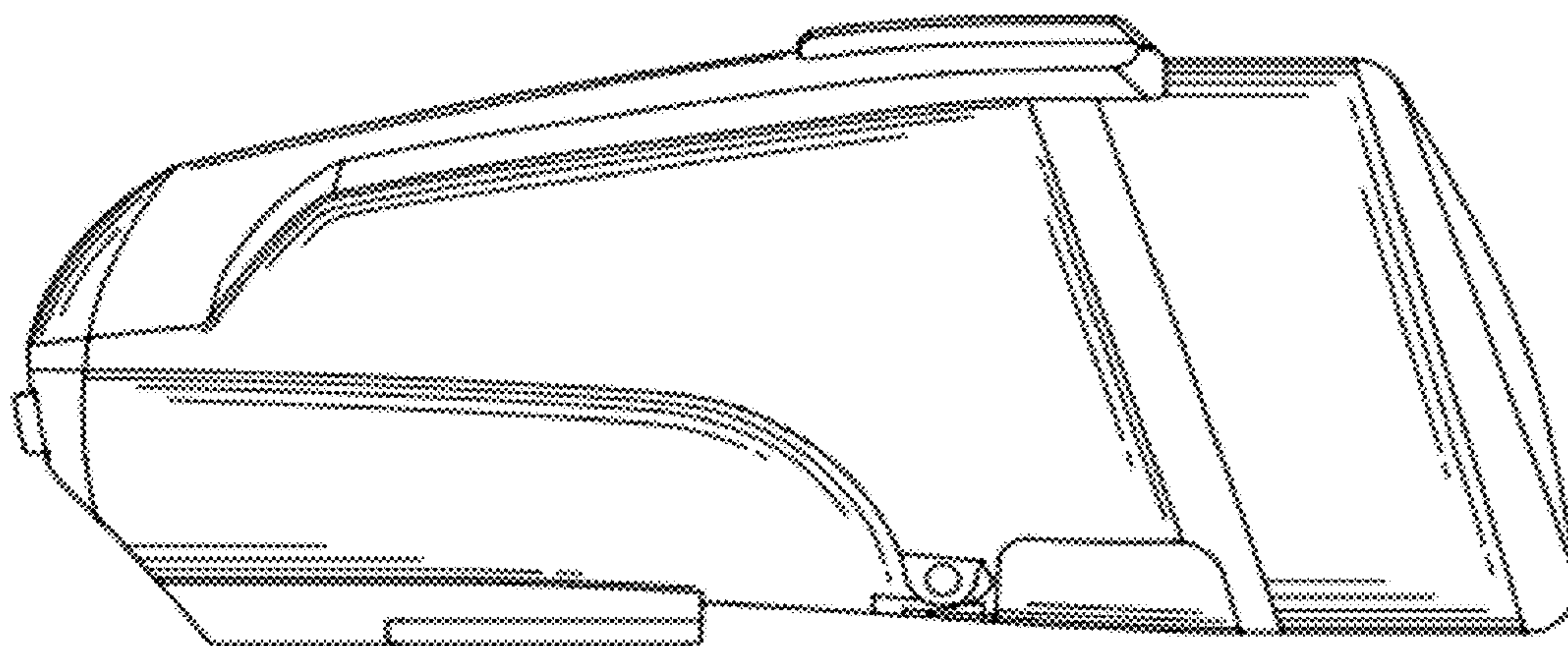


FIG. 4

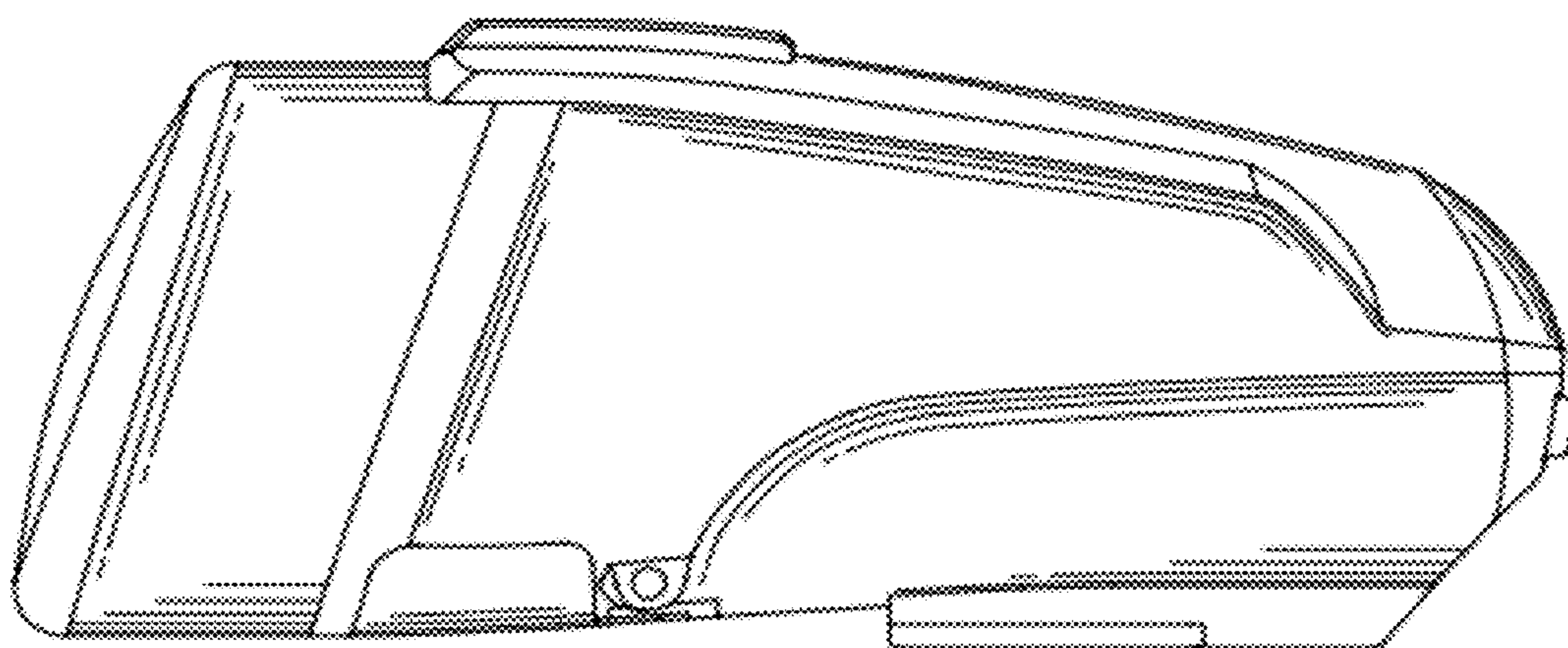


FIG. 5

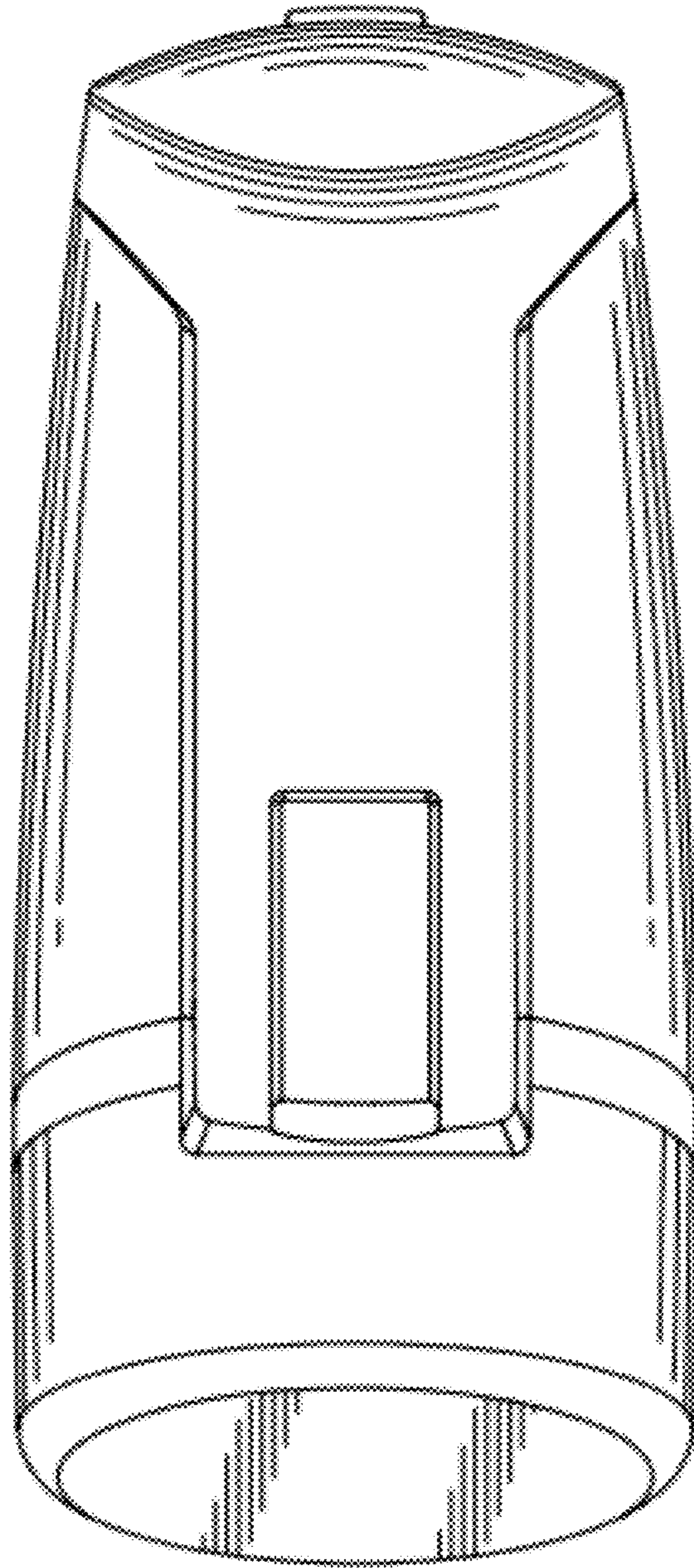


FIG. 6

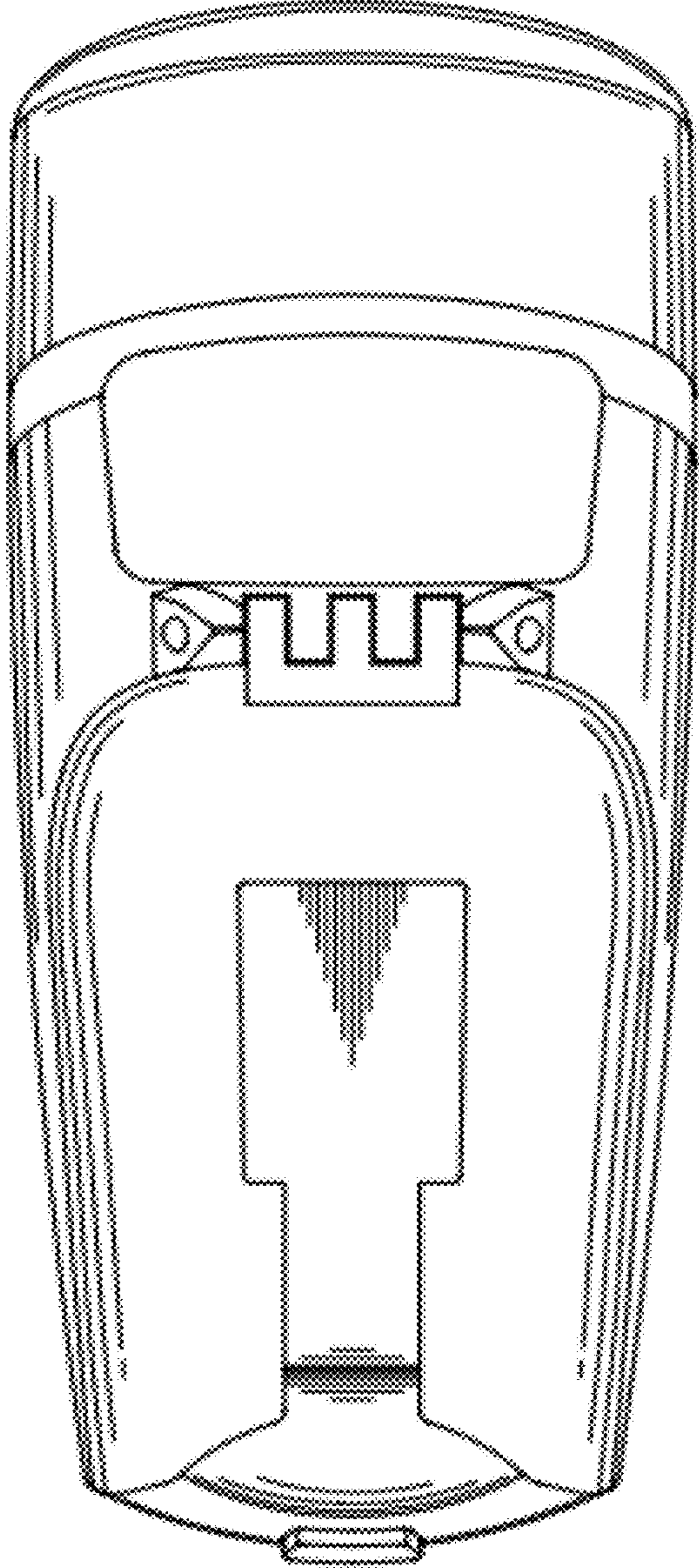


FIG. 7



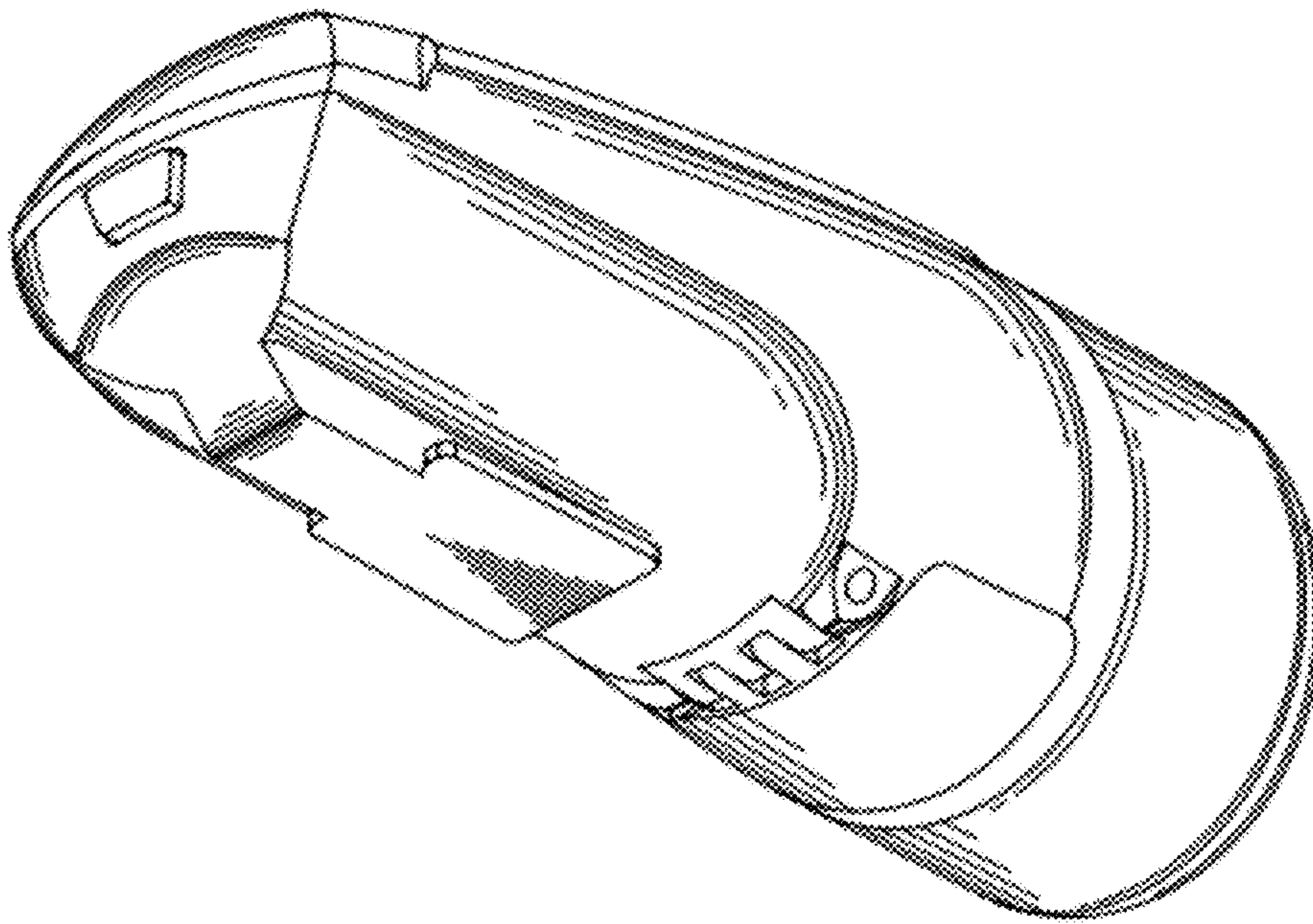


FIG. 8