

US00D667579S

(12) **United States Design Patent**
Cohen

(10) **Patent No.:** **US D667,579 S**

(45) **Date of Patent:** **** Sep. 18, 2012**

(54) **SOLAR-POWERED HANGING PLANT ILLUMINATOR**

(75) Inventor: **Richard Cohen**, Ann Arbor, MI (US)

(73) Assignee: **RSR Industries, Inc.**, Ann Arbor, MI (US)

(**) Term: **14 Years**

(21) Appl. No.: **29/404,172**

(22) Filed: **Oct. 17, 2011**

(51) **LOC (9) Cl.** **26-05**

(52) **U.S. Cl.** **D26/55**

(58) **Field of Classification Search** D26/55;
D11/164, 148; D6/513; 362/154; 248/27.8,
248/318; 47/66.6, 67

See application file for complete search history.

(56) **References Cited**

U.S. PATENT DOCUMENTS

3,950,637	A *	4/1976	Rodin	362/154
D270,796	S *	10/1983	Quirico	D6/513
5,546,698	A *	8/1996	Rock	47/67
5,802,764	A *	9/1998	Nucci	47/67

5,860,248 A * 1/1999 Peters 47/67

6,230,440 B1 * 5/2001 Deutsch 47/67

D535,868 S * 1/2007 Stobart D8/373

D624,394 S * 9/2010 Domek et al. D8/373

2007/0007275 A1 1/2007 Berg

* cited by examiner

Primary Examiner — Holly Baynham

(74) *Attorney, Agent, or Firm* — Gifford, Krass, Sprinkle, Anderson & Citkowski, P.C.

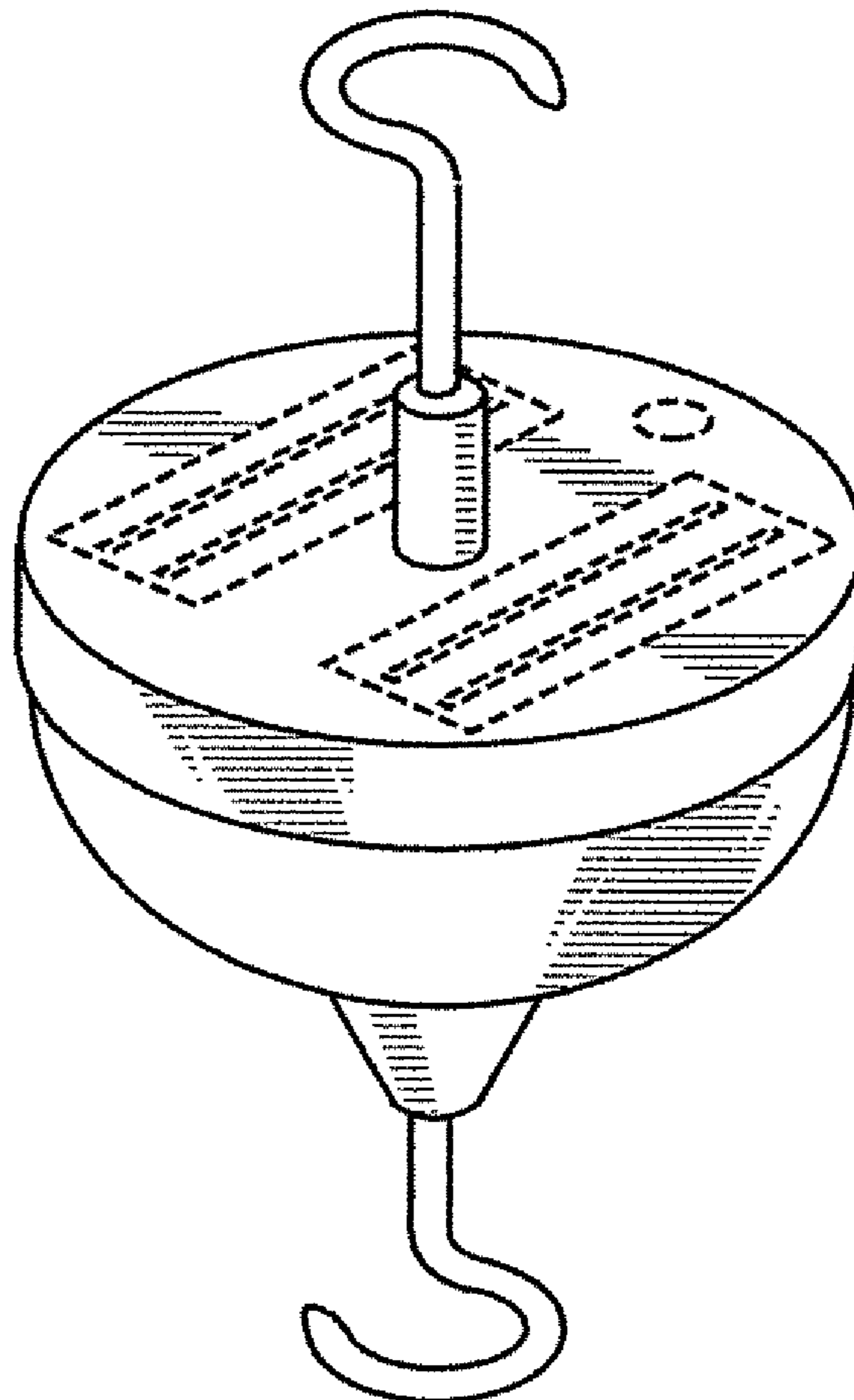
(57) **CLAIM**

The ornamental design for solar-powered hanging plant illuminator, as shown and described.

DESCRIPTION

FIG. 1 is a side view of the invention in operation; FIG. 2 is an enlarged side view of the invention; FIG. 3 is bottom of the invention; FIG. 4 is top of the invention; and, FIG. 5 is a perspective view of the invention in operation. The broken lines showing the plant, planter, solar panels, circular openings and light rays are for the purposes of illustrating environment and form no part of the claimed design.

1 Claim, 1 Drawing Sheet



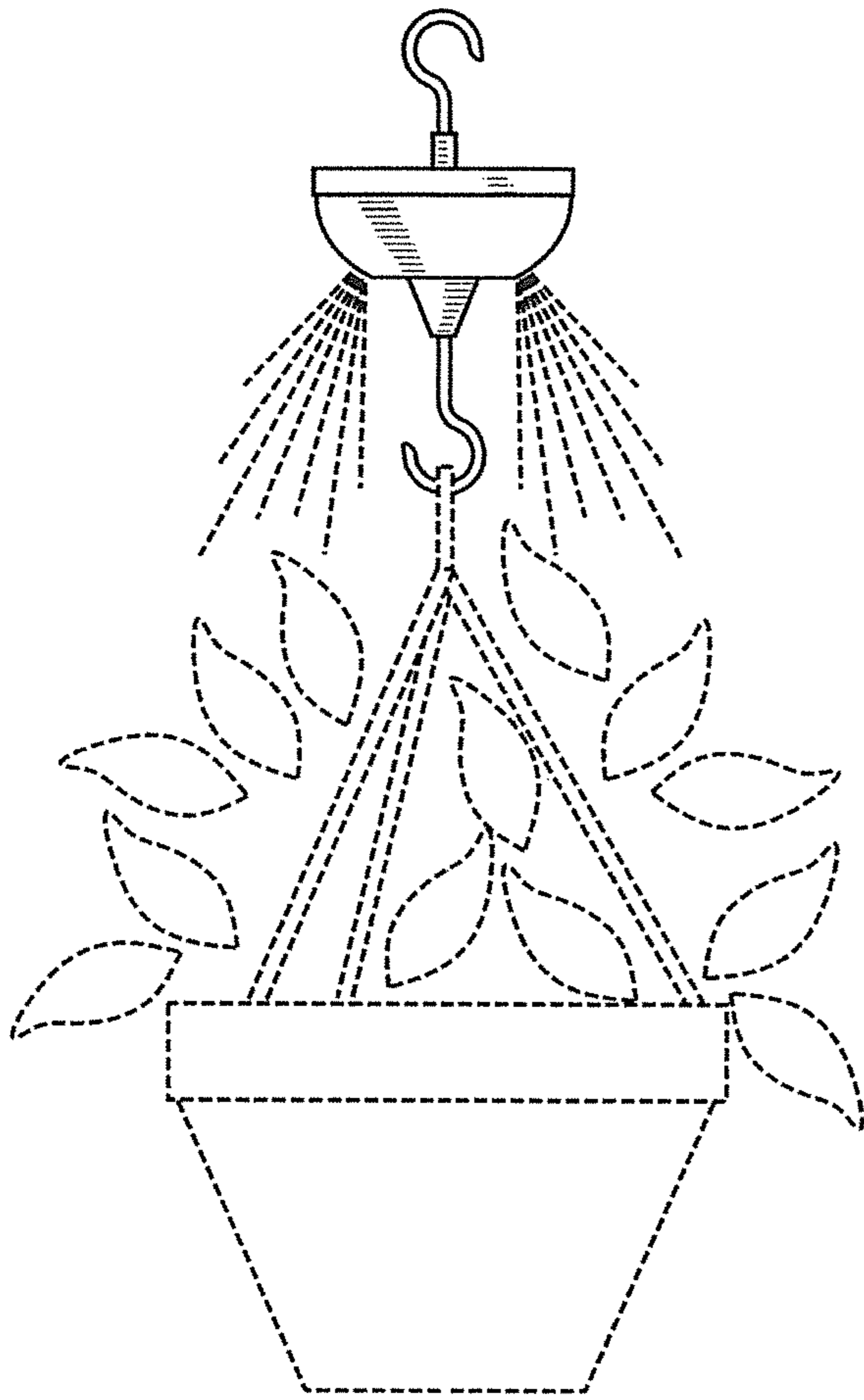


Fig - 1

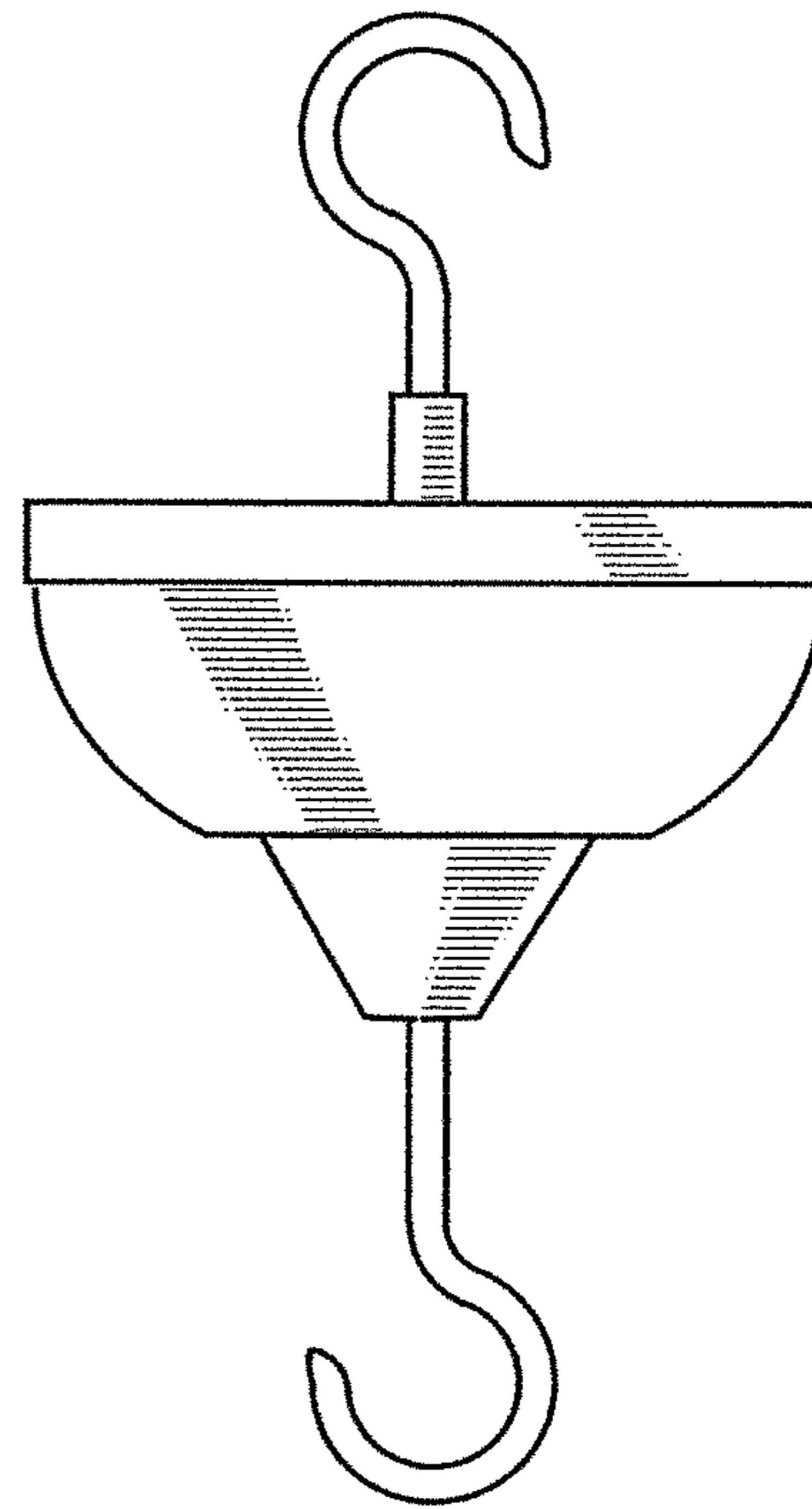


Fig - 2

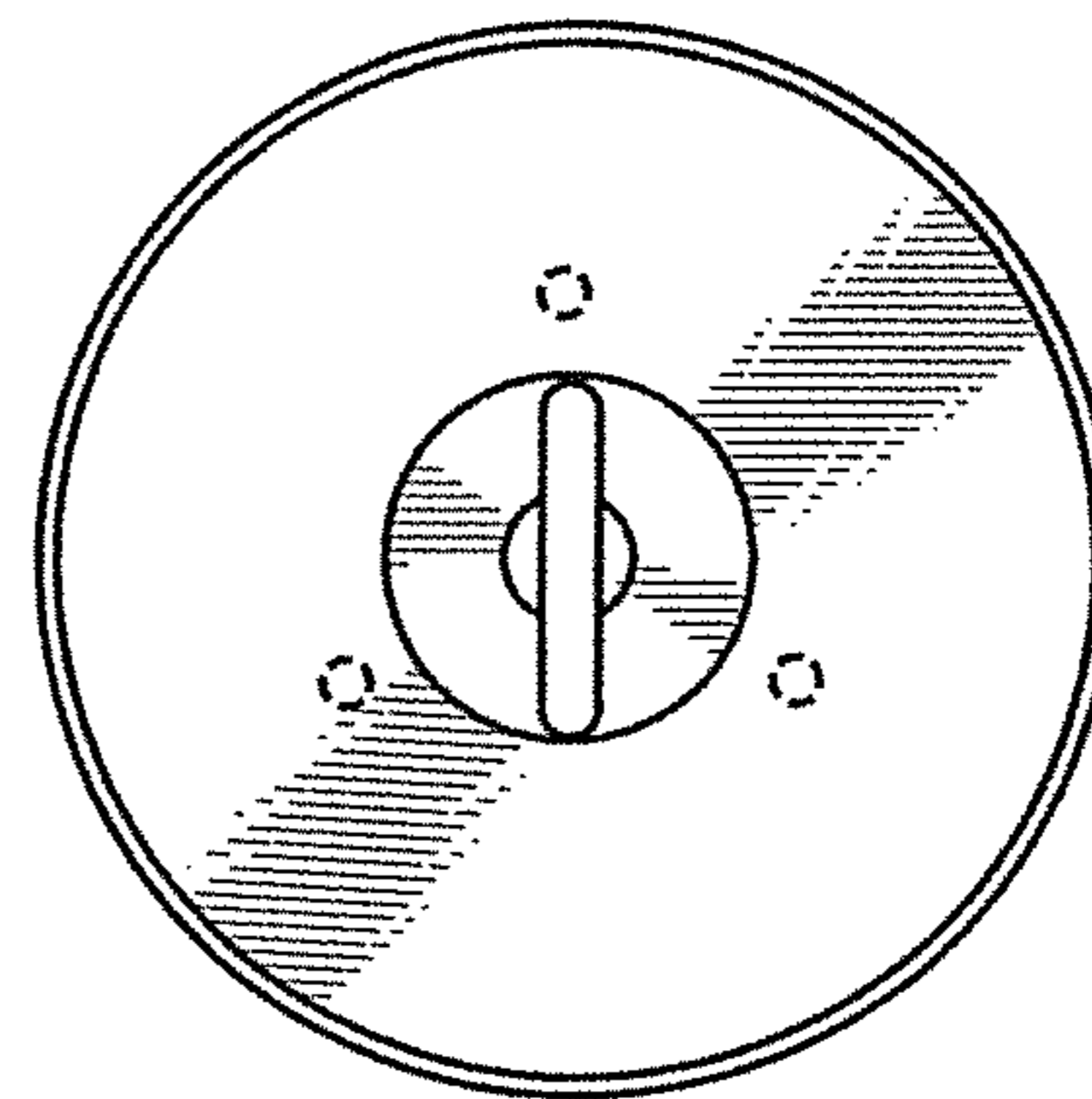


Fig - 3

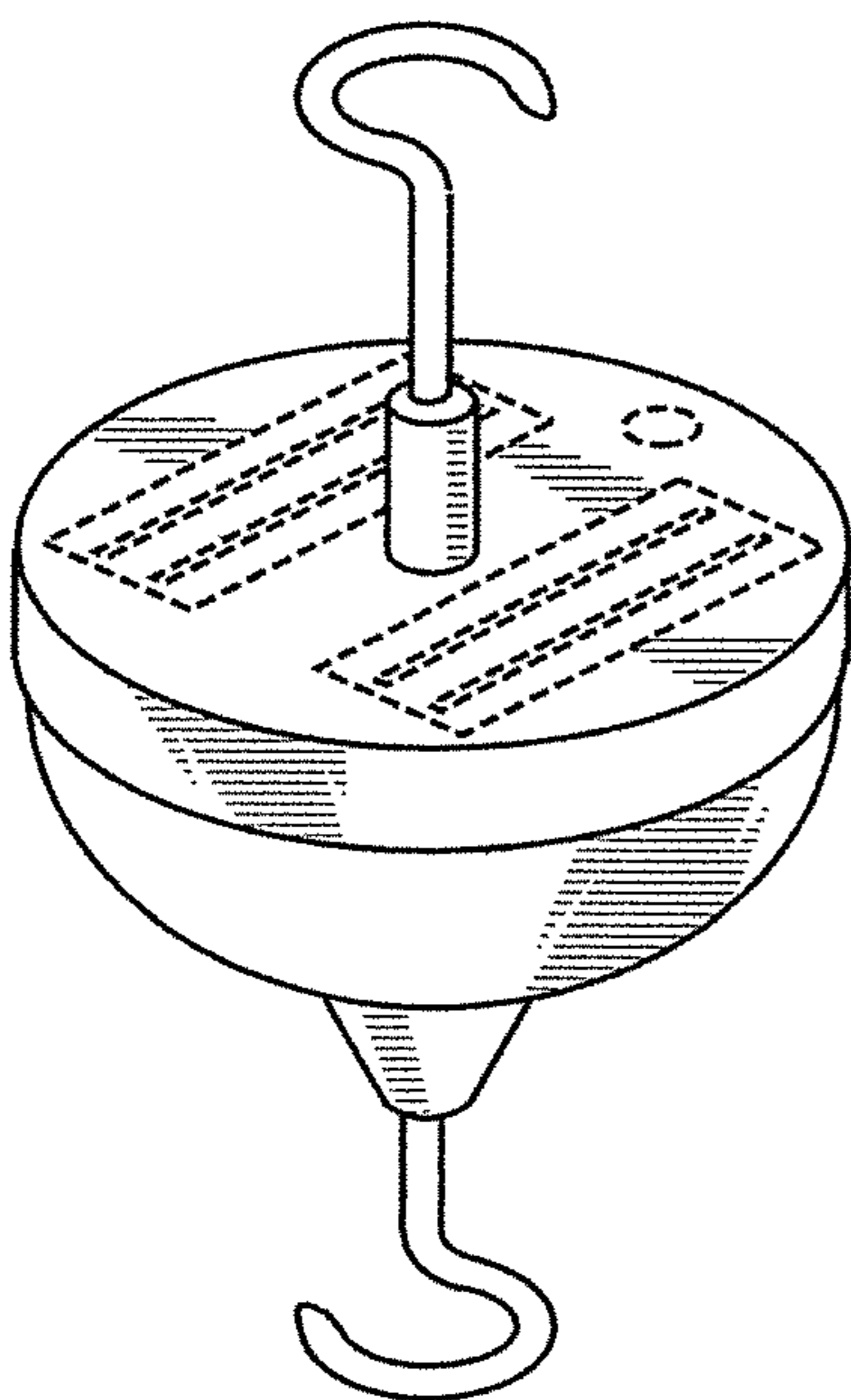


Fig - 5

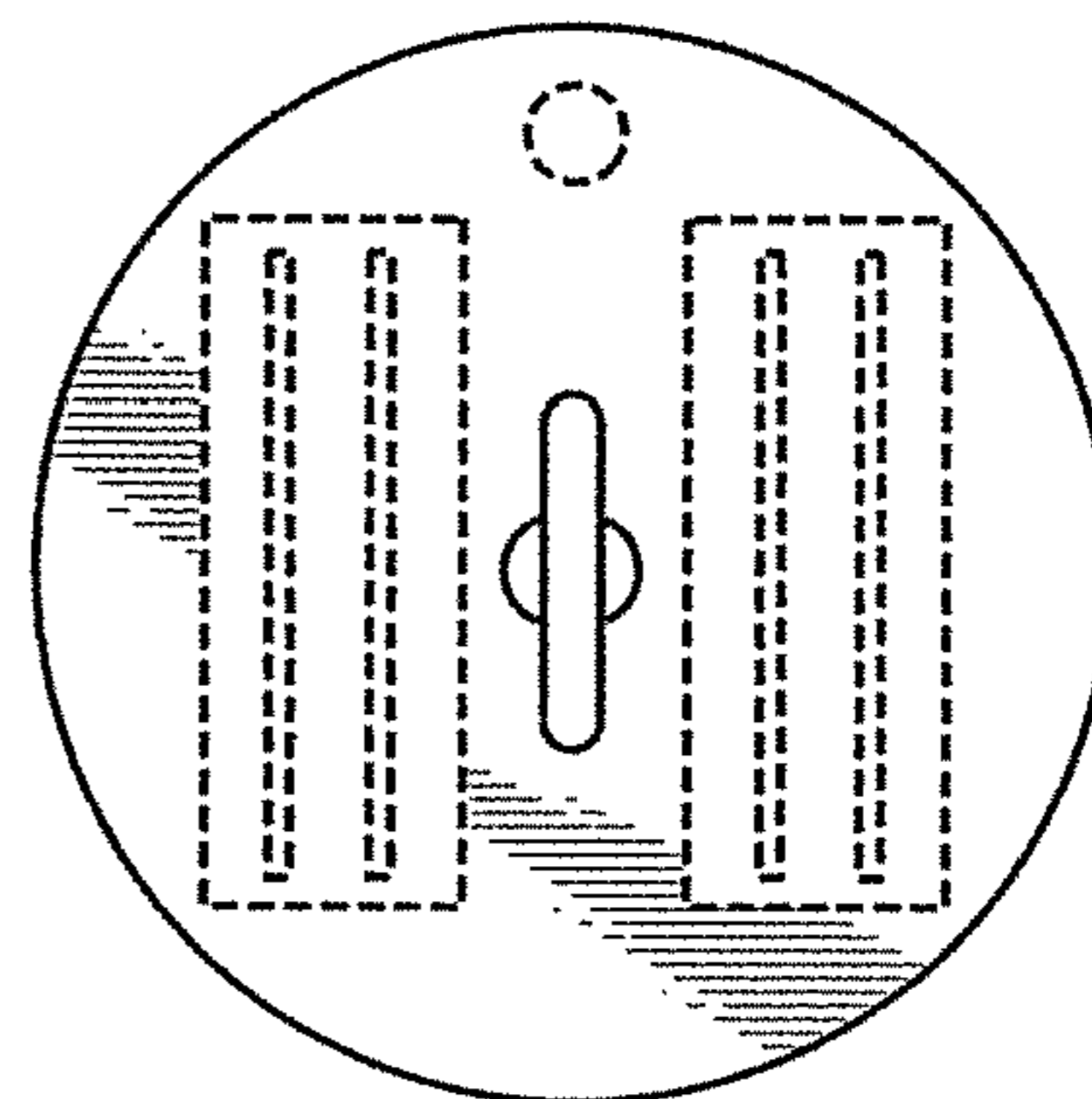


Fig - 4