

US00D667575S

(12) **United States Design Patent**  
**Santini et al.**

(10) **Patent No.:** **US D667,575 S**  
(45) **Date of Patent:** **\*\* Sep. 18, 2012**

(54) **DUAL FUNCTIONING FRAGRANCE DELIVERY DEVICE**

(75) Inventors: **Thomas Santini**, Hoboken, NJ (US);  
**Anthony Budraitis**, Hoboken, NJ (US);  
**Charles Steward**, Midland Park, NJ (US); **John Gick**, Nanuet, NY (US)

(73) Assignee: **Takasago International Corporation**, Tokyo (JP)

(\*\*) Term: **14 Years**

(21) Appl. No.: **29/376,230**

(22) Filed: **Oct. 4, 2010**

(51) **LOC (9) Cl.** ..... **26-01**

(52) **U.S. Cl.** ..... **D26/22**

(58) **Field of Classification Search** ..... D26/5-23,  
D26/114-137; 431/289, 291, 292, 295, 350;  
D7/598, 532, 523, 509; D9/500, 503-505;  
D11/143

See application file for complete search history.

(56) **References Cited**

U.S. PATENT DOCUMENTS

4,529,376	A	7/1985	Cafolla	
D331,727	S *	12/1992	Grosfillex	D11/153
6,152,728	A	11/2000	Griffel	
6,569,387	B1	5/2003	Furner et al.	
D489,501	S *	5/2004	Dretzka	D34/1
7,467,945	B2	12/2008	Kubicek et al.	
2002/0114904	A1	8/2002	Chang	
2005/0271994	A1	12/2005	Furner	
2006/0024629	A1	2/2006	Rivard	
2006/0078477	A1	4/2006	Althouse et al.	
2006/0231641	A1	10/2006	Uchiyama et al.	
2011/0280009	A1 *	11/2011	Krause	362/183

FOREIGN PATENT DOCUMENTS

GB	2395126	5/2004
WO	WO84/04459	11/1984
WO	WO2008/042237	4/2008
WO	WO2009/073813	6/2009
WO	WO2009/152502	12/2009

OTHER PUBLICATIONS

U.S. Appl. No. 12/897,316, filed Oct. 4, 2010.  
European Search Report for EP 10251731, dated Jul. 27, 2011.

\* cited by examiner

*Primary Examiner* — T. Chase Nelson

*Assistant Examiner* — Ania Aman

(74) *Attorney, Agent, or Firm* — Baker Botts L.L.P.

(57) **CLAIM**

We claim, the ornamental design for a dual functioning fragrance delivery device, as shown and described.

**DESCRIPTION**

FIG. 1 is a front perspective view of the dual functioning fragrance delivery device showing our new design.

FIG. 2 is a side elevation view.

FIG. 3 is a top plan view.

FIG. 4 is a bottom plan view.

FIG. 5 is an exploded, top perspective view.

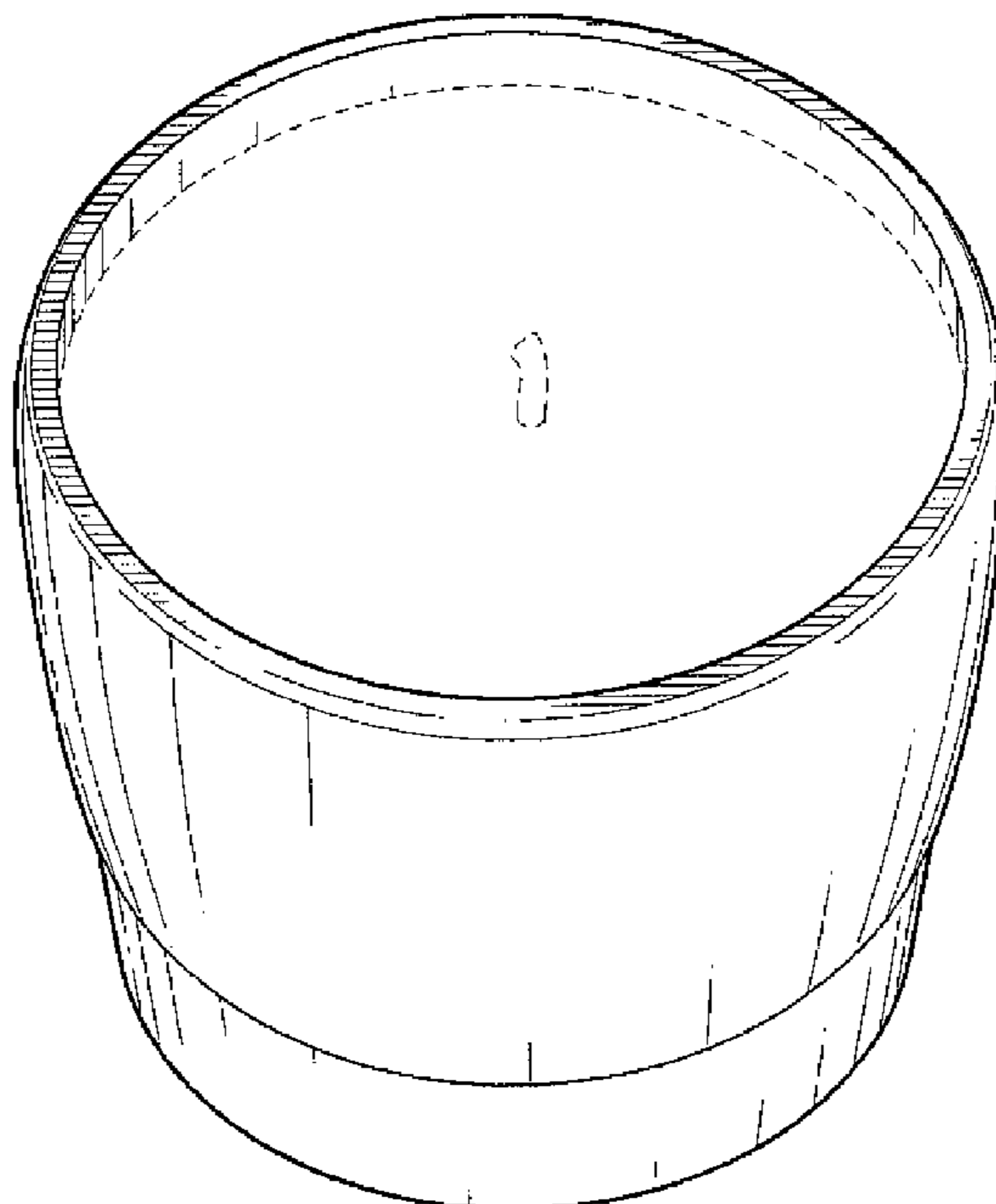
FIG. 6 is an exploded, bottom perspective view.

FIG. 7 is an exploded side elevation view; and,

FIG. 8 is a second exploded side elevation view.

The broken lines are provided for illustrative purposes only and form no part of the claimed design.

**1 Claim, 7 Drawing Sheets**



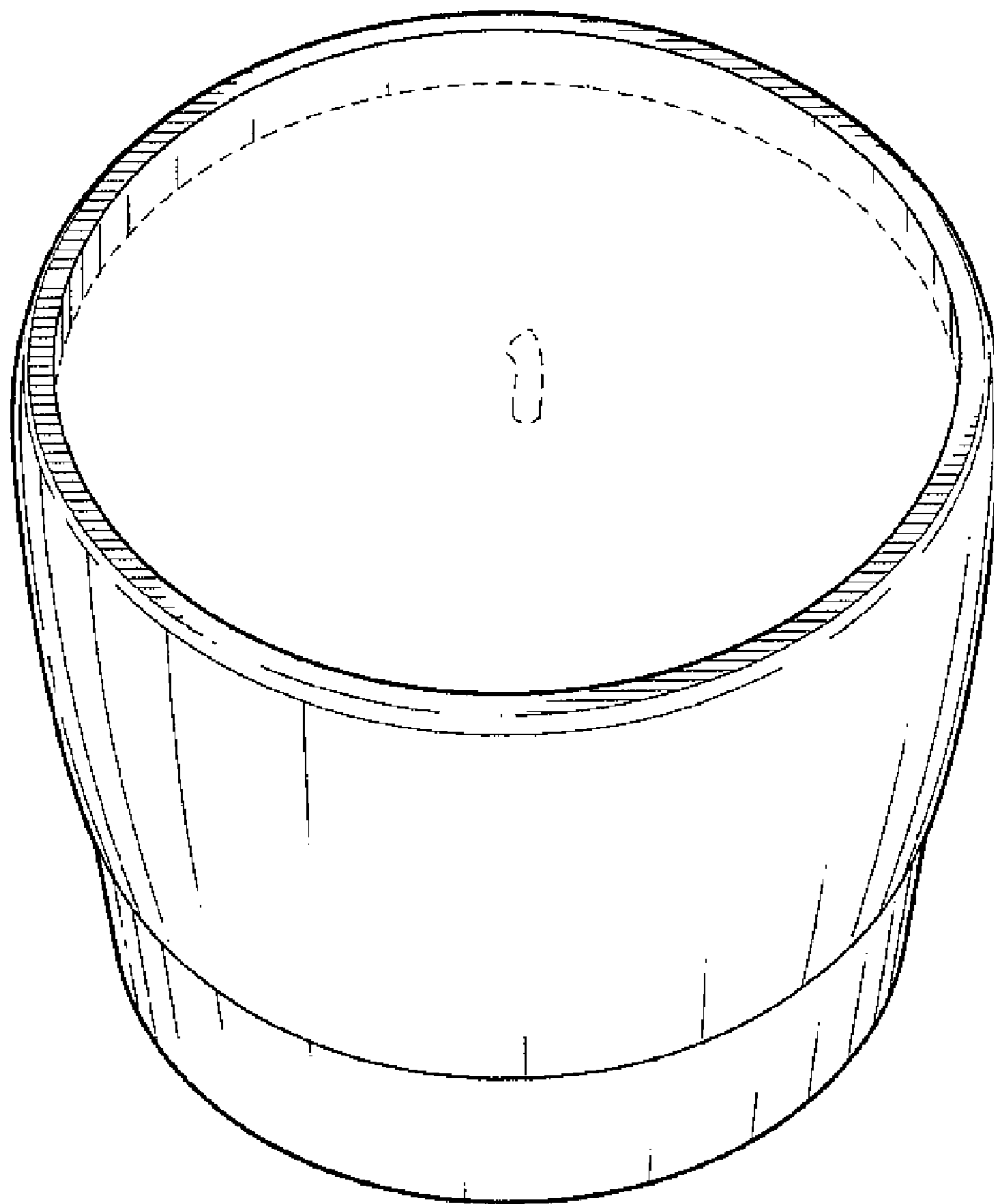


FIG. 1

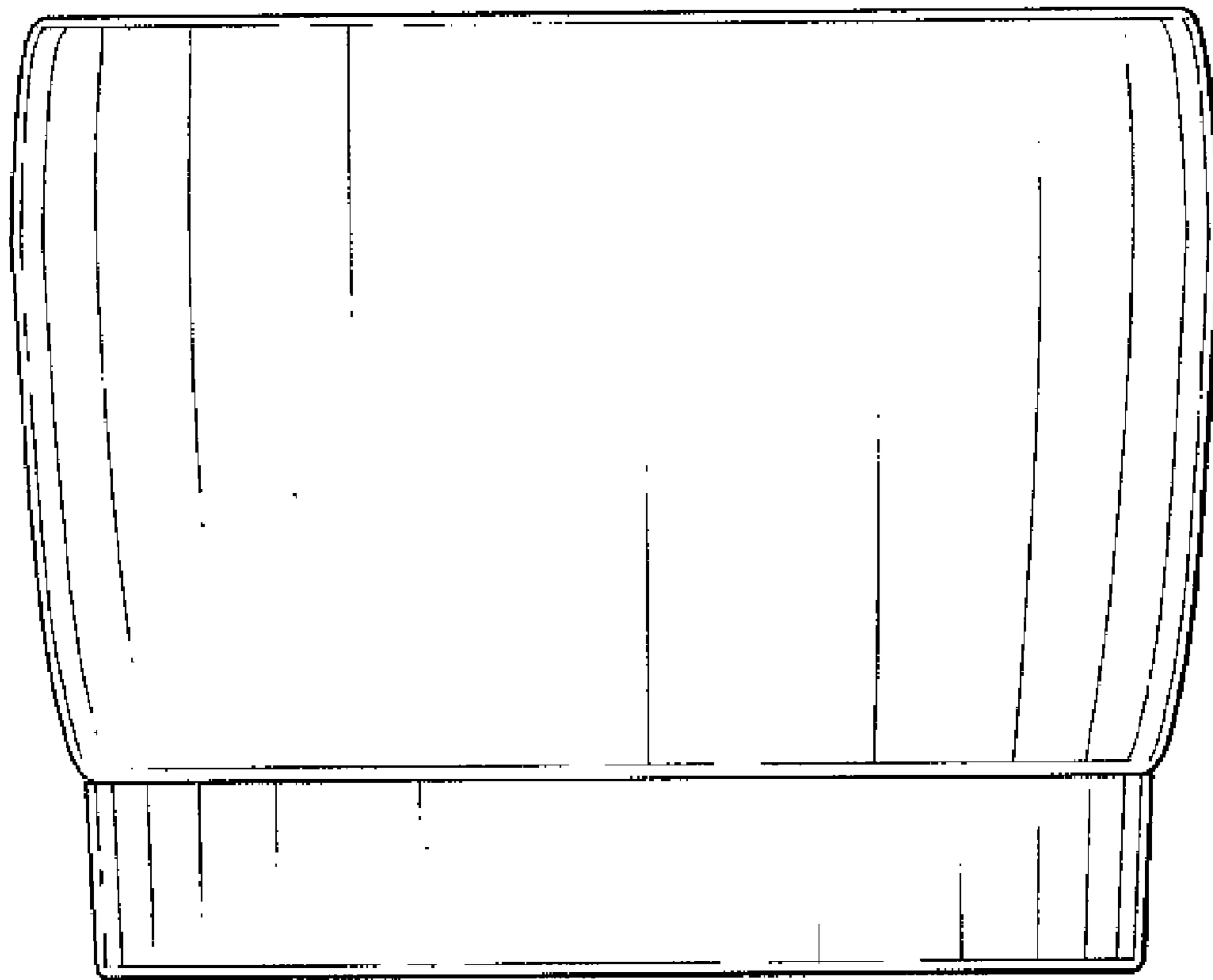


FIG. 2

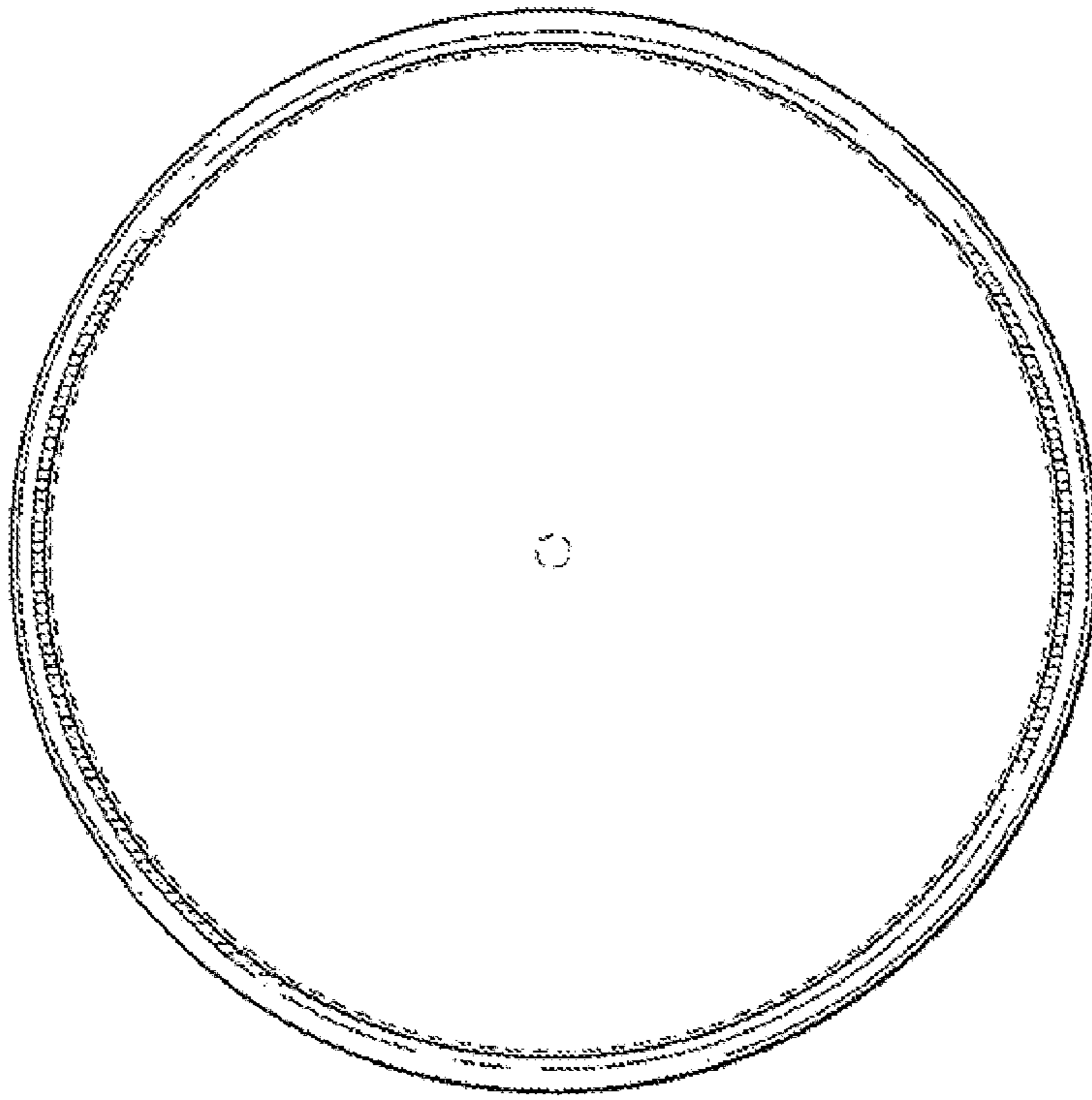


FIG. 3

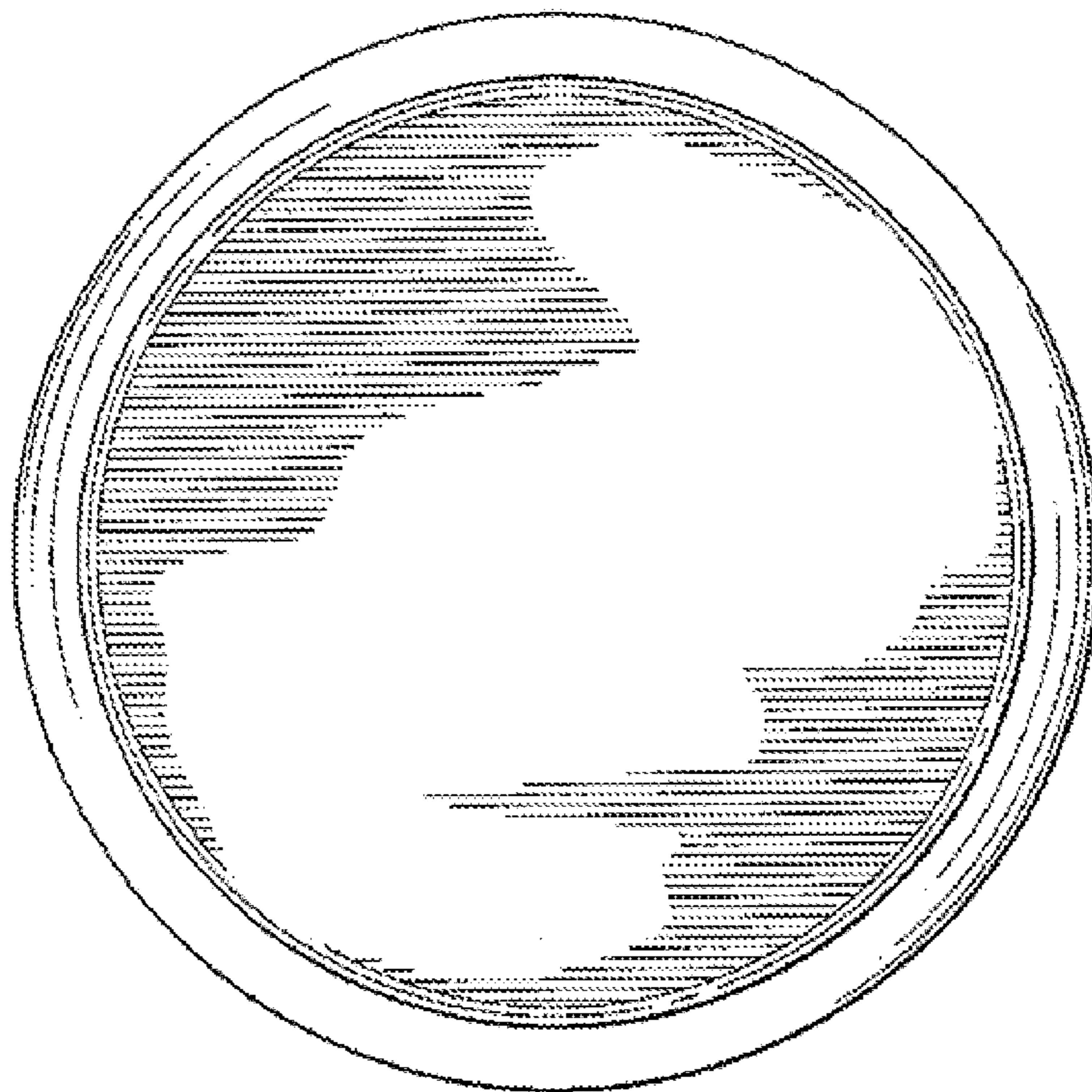


FIG. 4

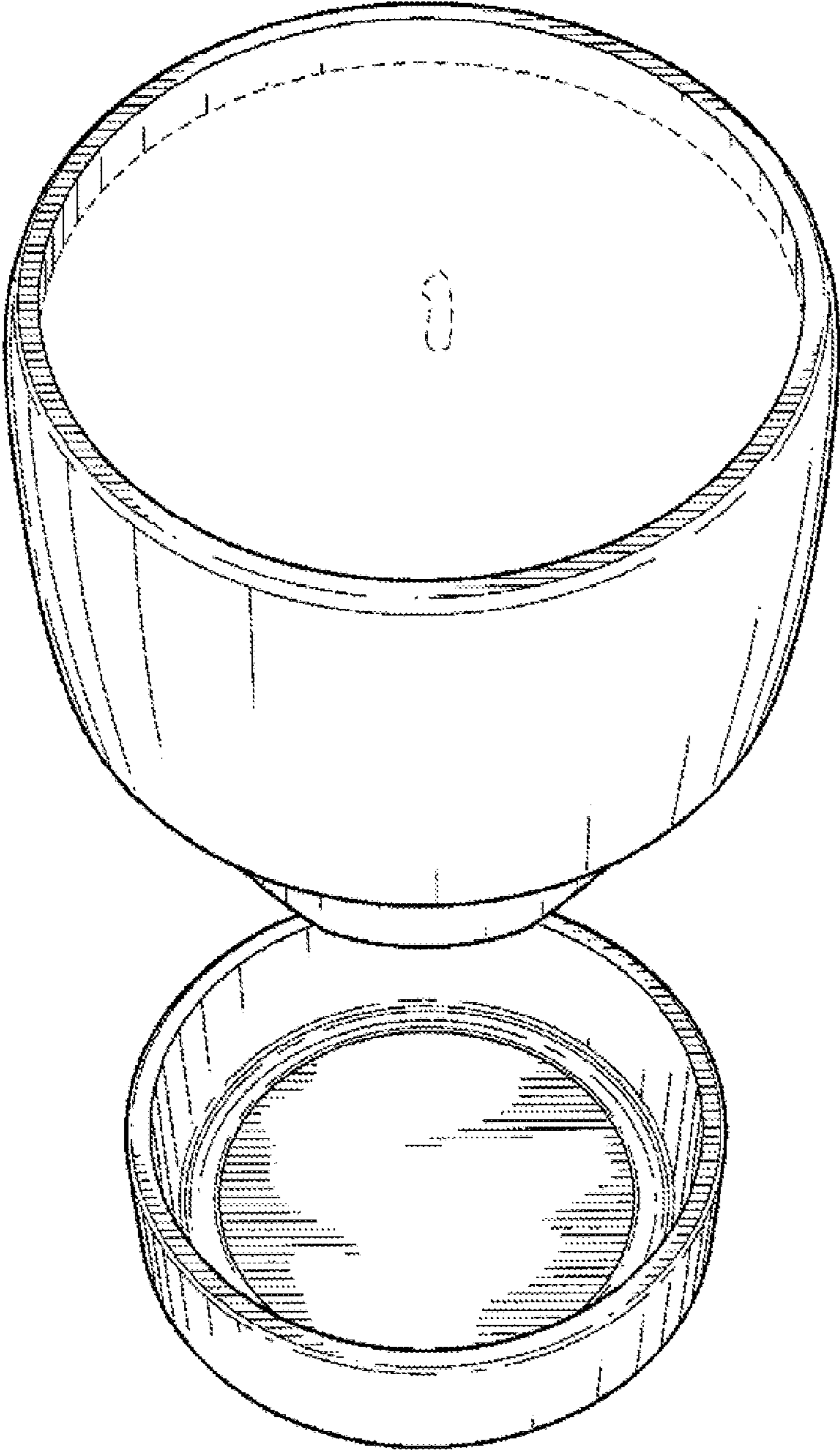


FIG. 5

