

US00D667573S

(12) **United States Design Patent**
Yamamoto et al.

(10) **Patent No.:** **US D667,573 S**
(45) **Date of Patent:** **** Sep. 18, 2012**

(54) **LIGHT EMITTING DIODE LAMP**
(75) Inventors: **Junichiro Yamamoto**, Kanagawa (JP);
Shigeru Motoki, Tokyo (JP); **Takeshi**
Hisayasu, Kanagawa (JP)
(73) Assignee: **Toshiba Lighting & Technology**
Corporation, Kanagawa (JP)

D534,665 S * 1/2007 Egawa et al. D26/2
D538,950 S * 3/2007 Maxik D26/2
D538,953 S * 3/2007 Mama D26/2
D553,267 S * 10/2007 Yuen D26/2
D560,286 S * 1/2008 Maxik et al. D26/2
D566,300 S * 4/2008 Lo D26/2
D590,523 S * 4/2009 Takahashi D26/2
D613,887 S * 4/2010 Lee et al. D26/2

(**) Term: **14 Years**
(21) Appl. No.: **29/414,159**
(22) Filed: **Feb. 24, 2012**

FOREIGN PATENT DOCUMENTS
JP D1412395 5/2011
* cited by examiner

(30) **Foreign Application Priority Data**
Sep. 16, 2011 (JP) 2011-021223
(51) **LOC (9) Cl.** **26-04**
(52) **U.S. Cl.** **D26/2**
(58) **Field of Classification Search** D26/1-4;
313/313, 315, 316, 317, 318, 493; 315/52,
315/53, 56, 57, 58
See application file for complete search history.

Primary Examiner — Marcus Jackson
(74) *Attorney, Agent, or Firm* — J.C. Patents

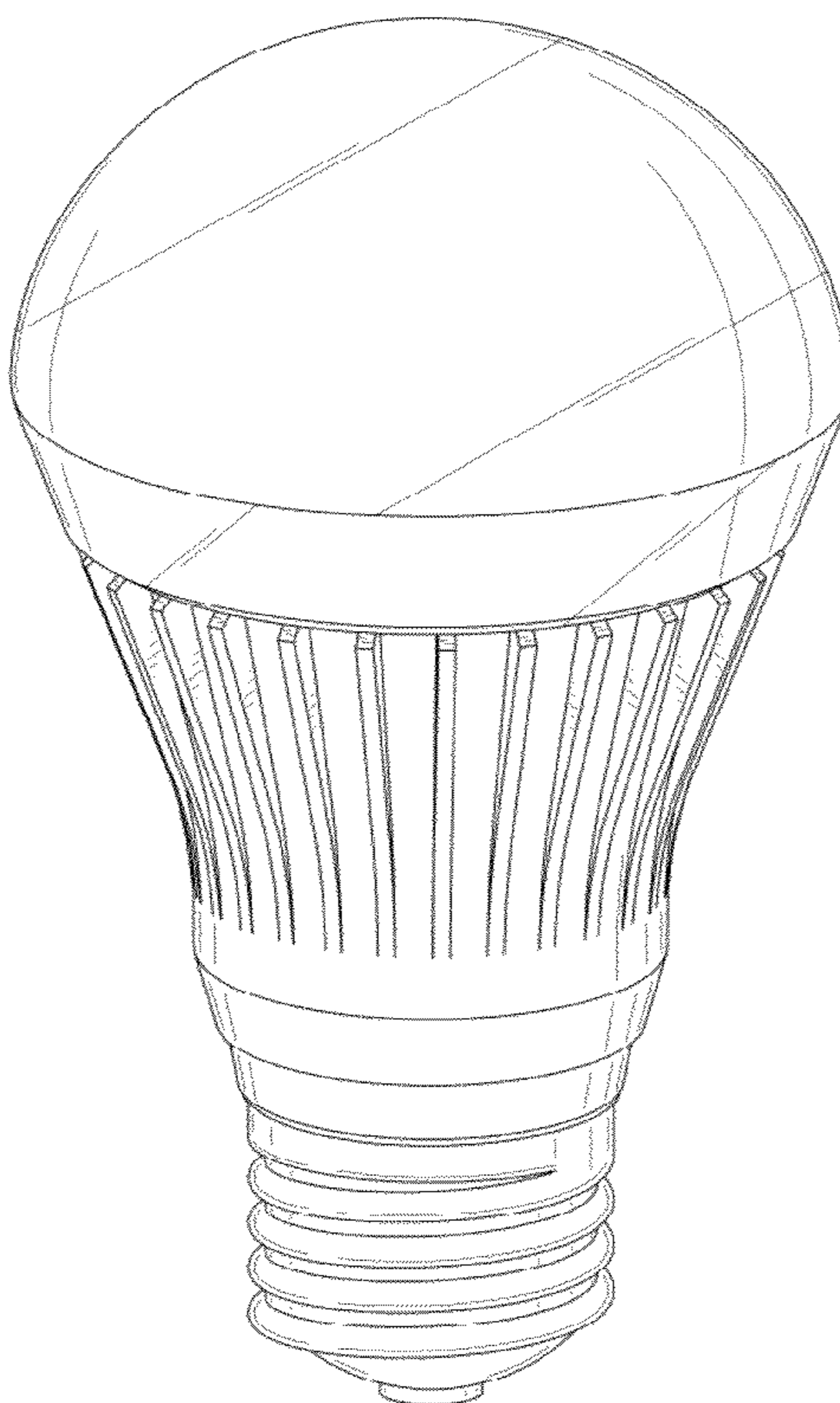
(56) **References Cited**
U.S. PATENT DOCUMENTS
D508,575 S * 8/2005 Buschmann et al. D26/2
D528,227 S * 9/2006 Chou et al. D26/2
D531,741 S * 11/2006 Takahashi D26/2

(57) **CLAIM**
The ornamental design for a light emitting diode lamp, as shown.

DESCRIPTION

FIG. 1 is a perspective view of a light emitting diode lamp showing our new design;
FIG. 2 is a front view thereof;
FIG. 3 is a rear view thereof
FIG. 4 is a left side view thereof;
FIG. 5 is a right side view thereof;
FIG. 6 is a top view thereof; and,
FIG. 7 is a bottom view thereof.

1 Claim, 7 Drawing Sheets



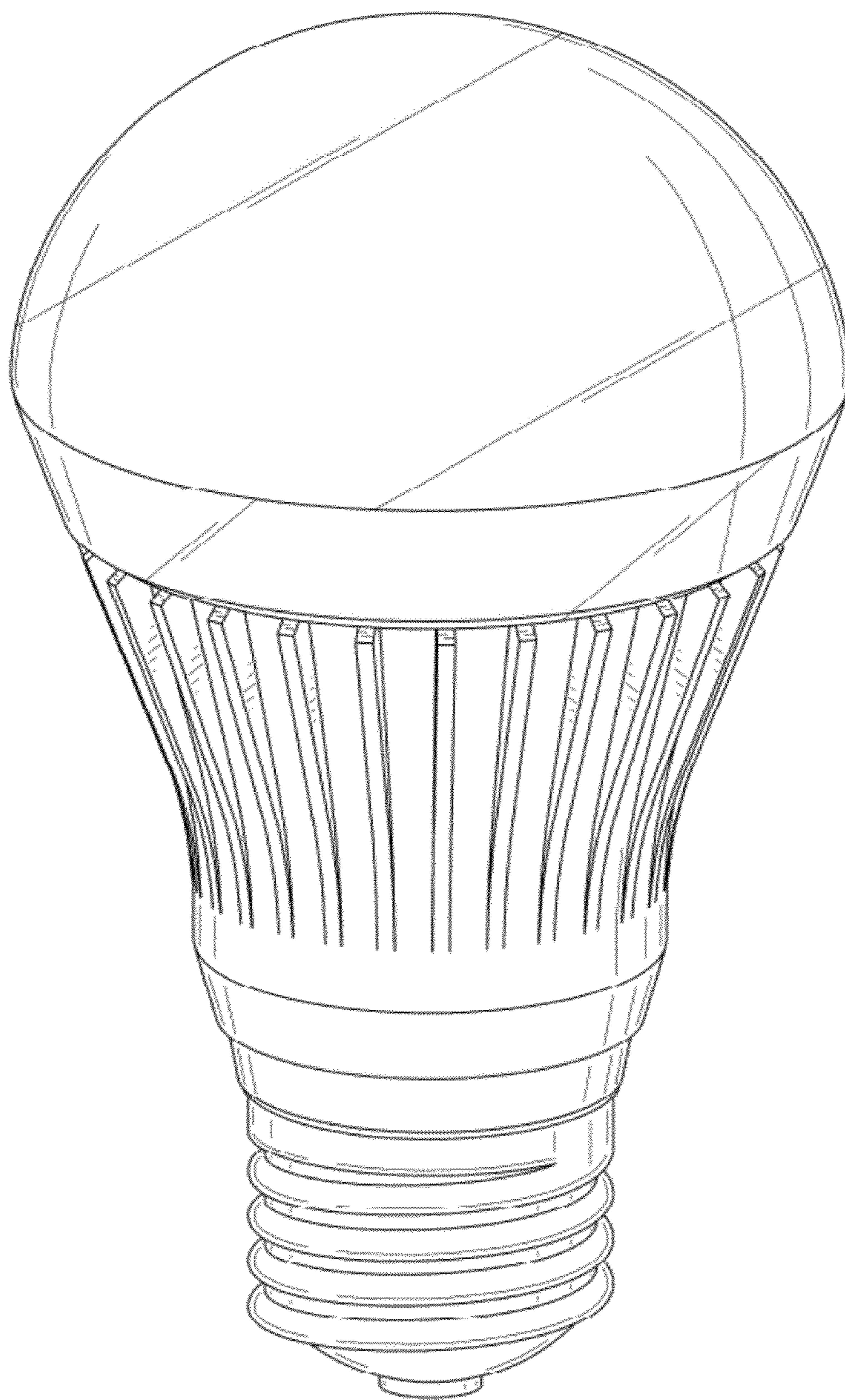


FIG. 1

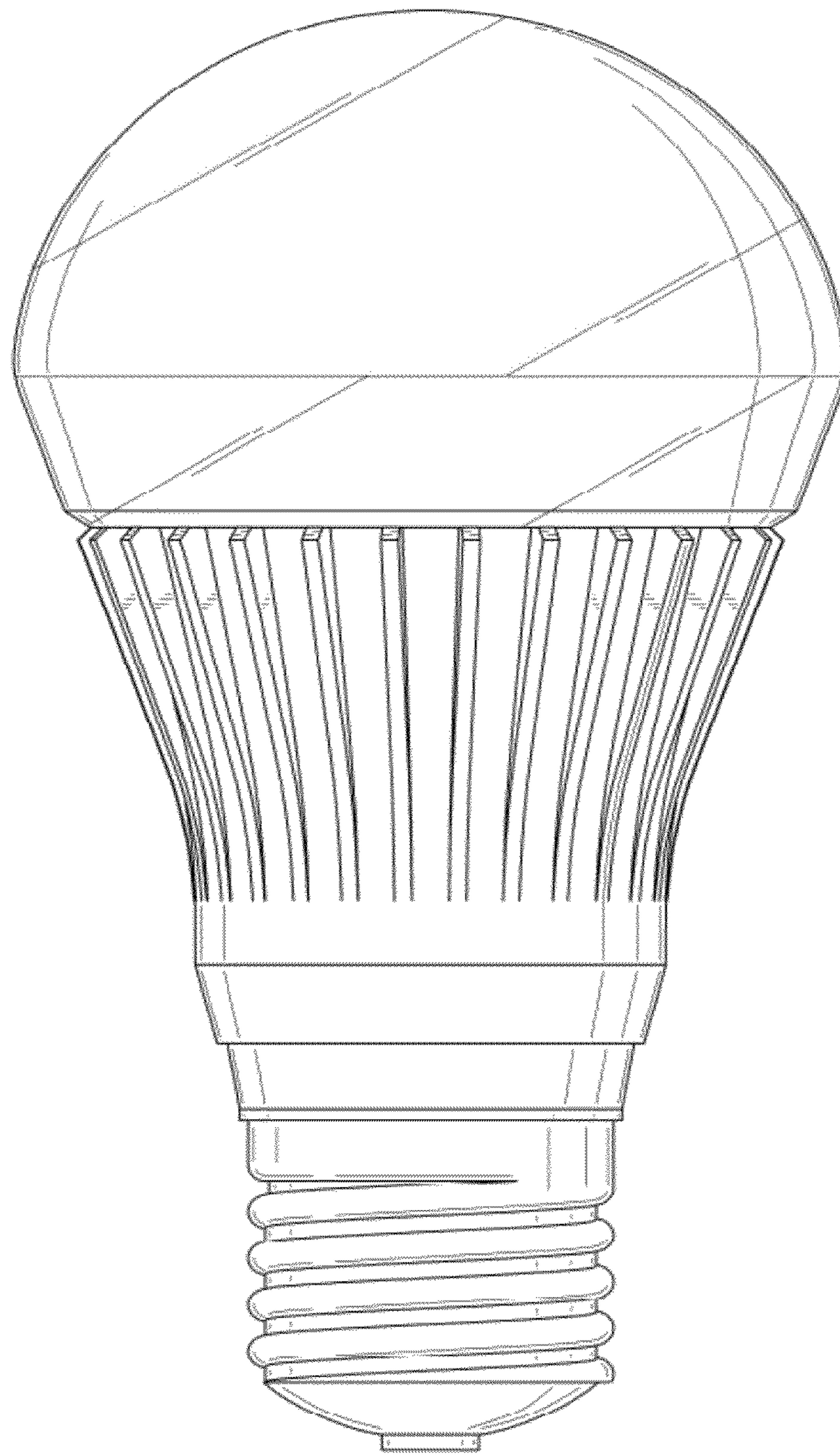


FIG. 2

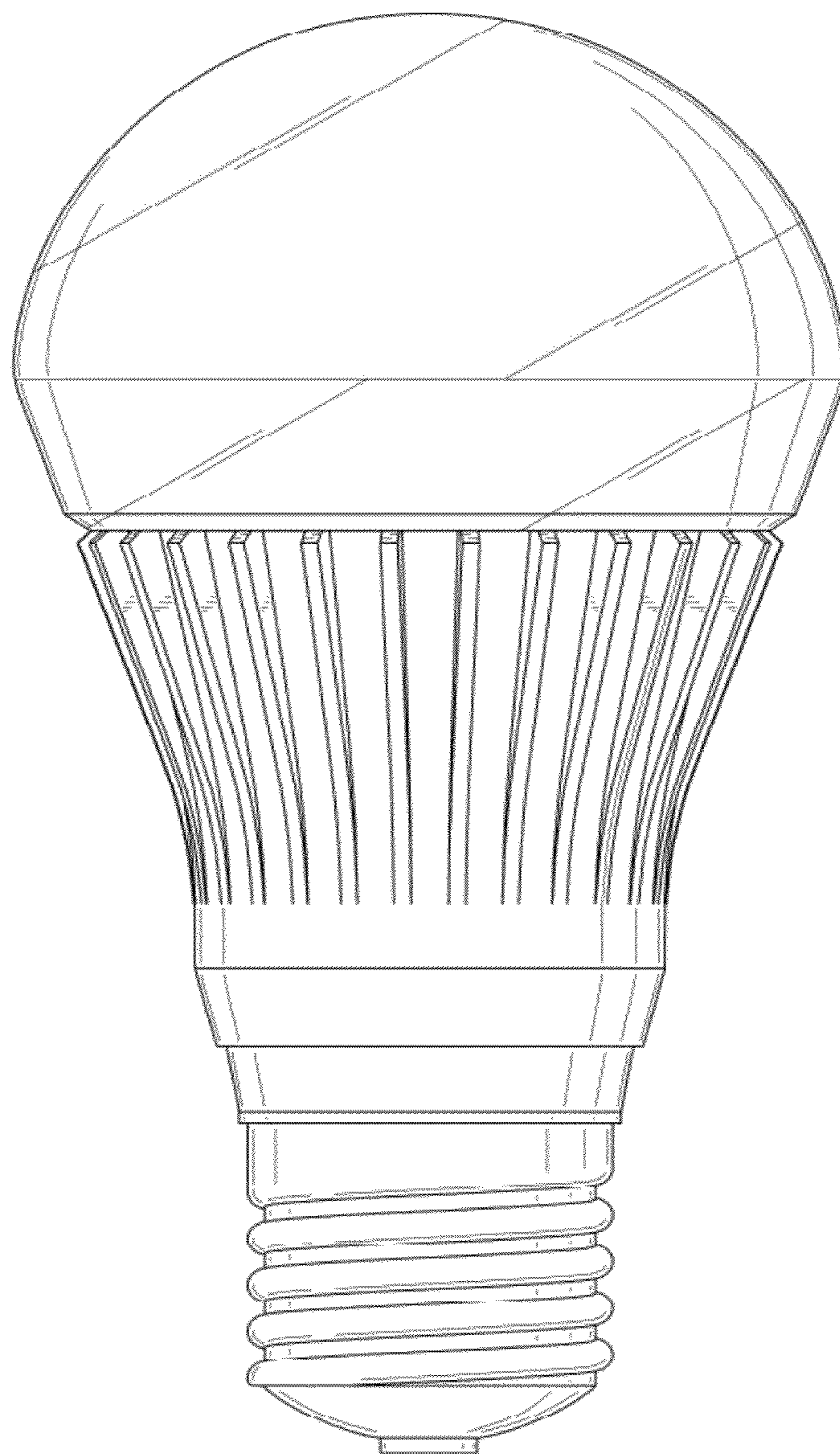


FIG. 3

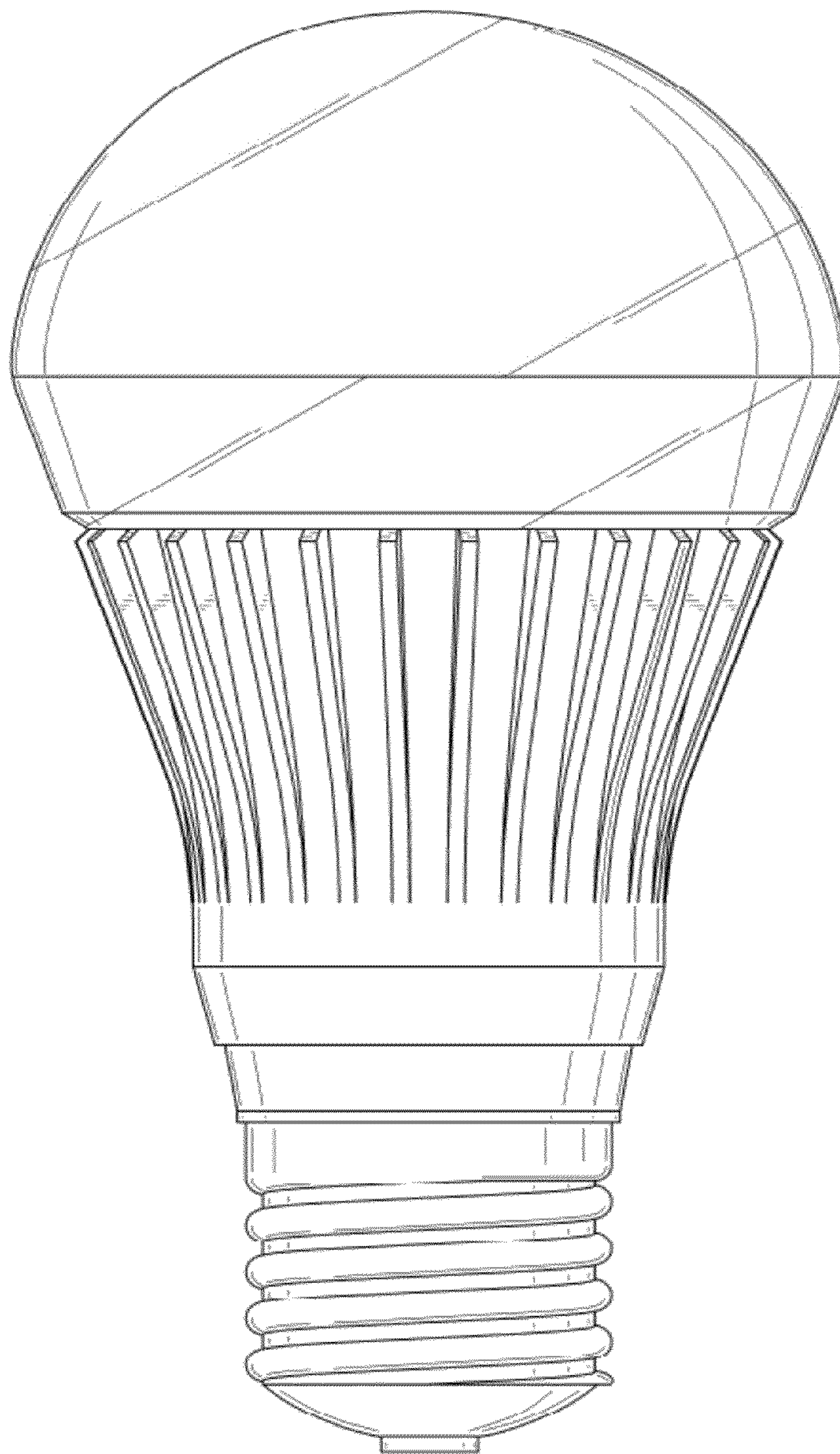


FIG. 4

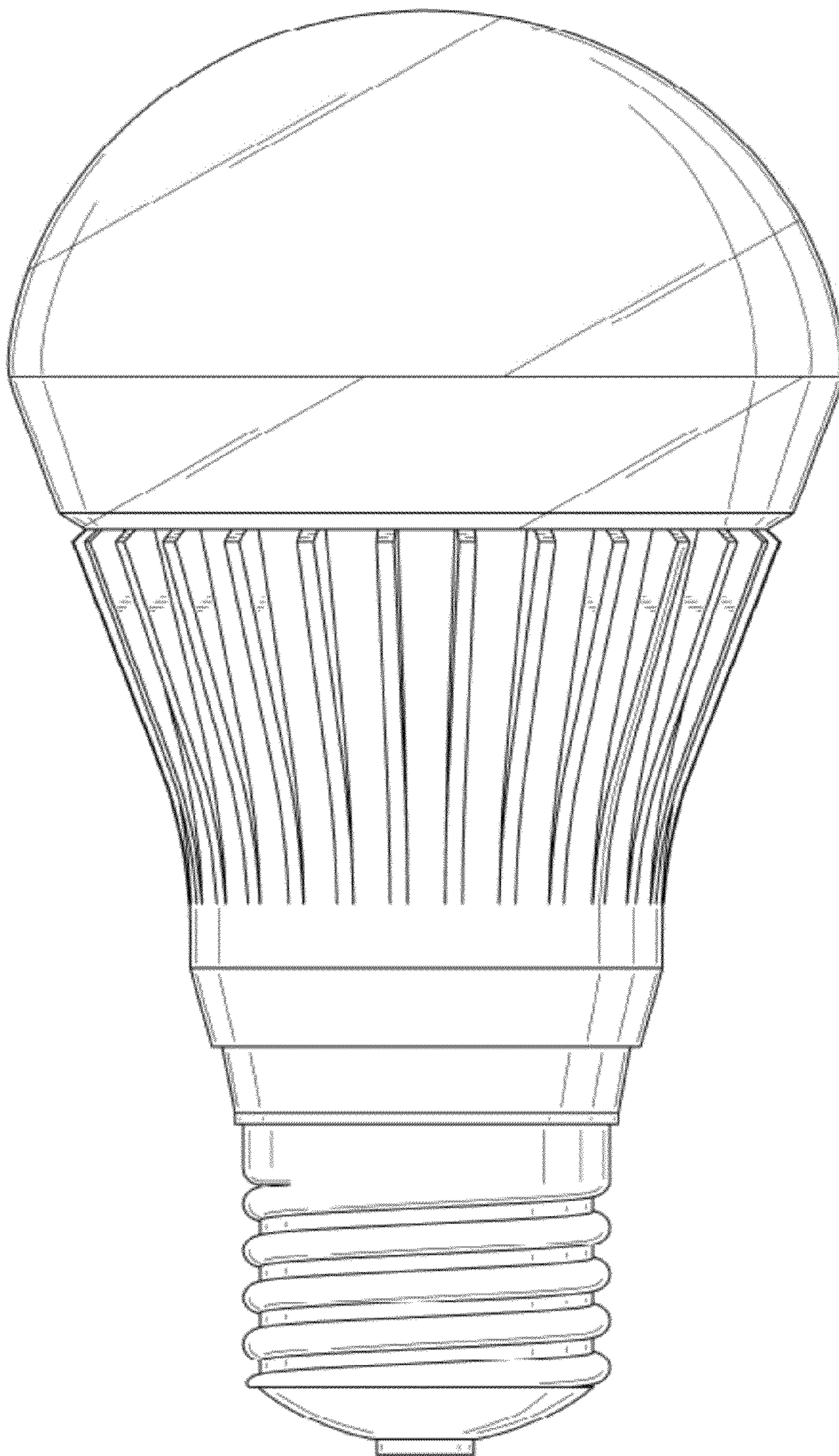


FIG. 5

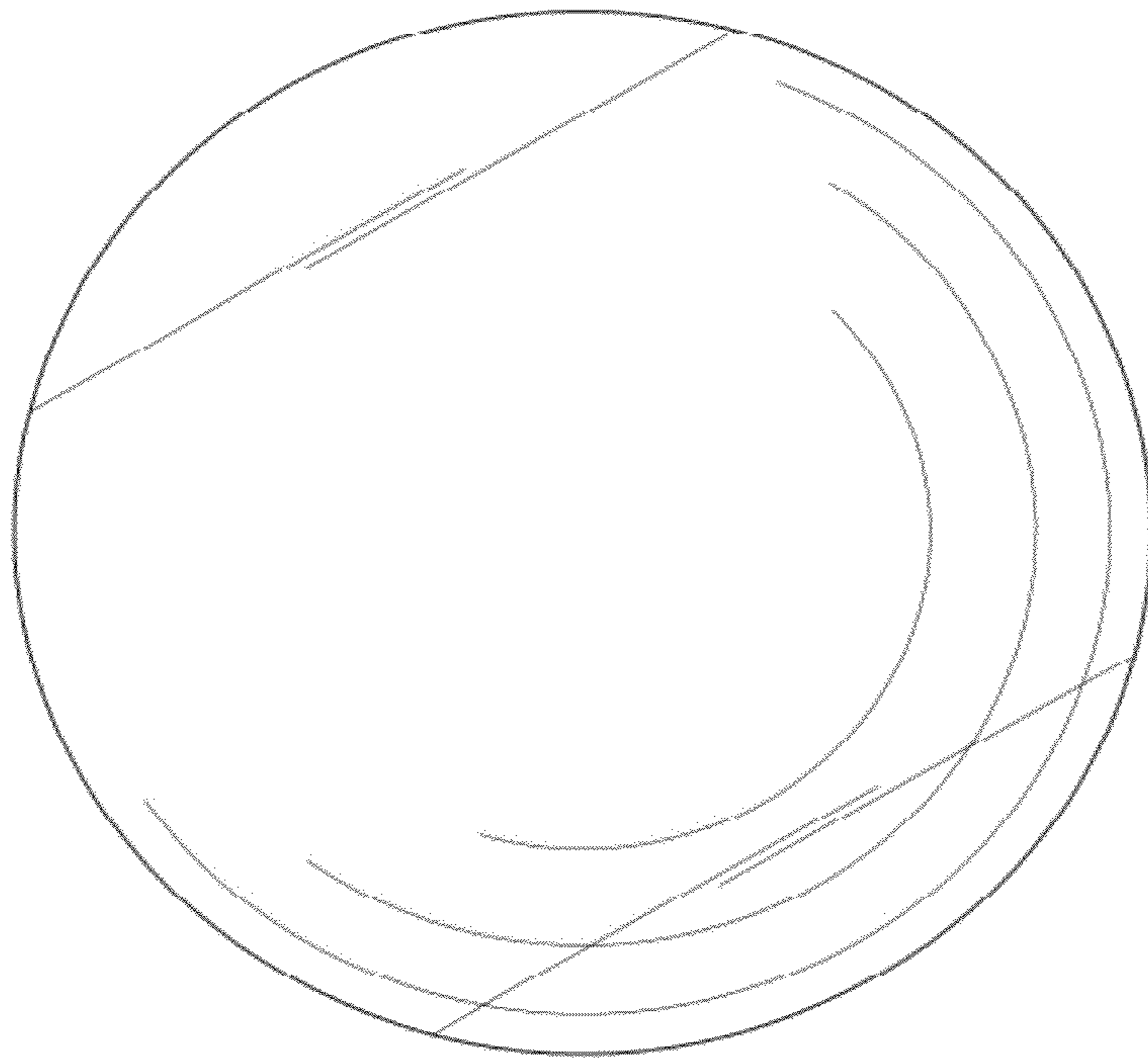


FIG. 6

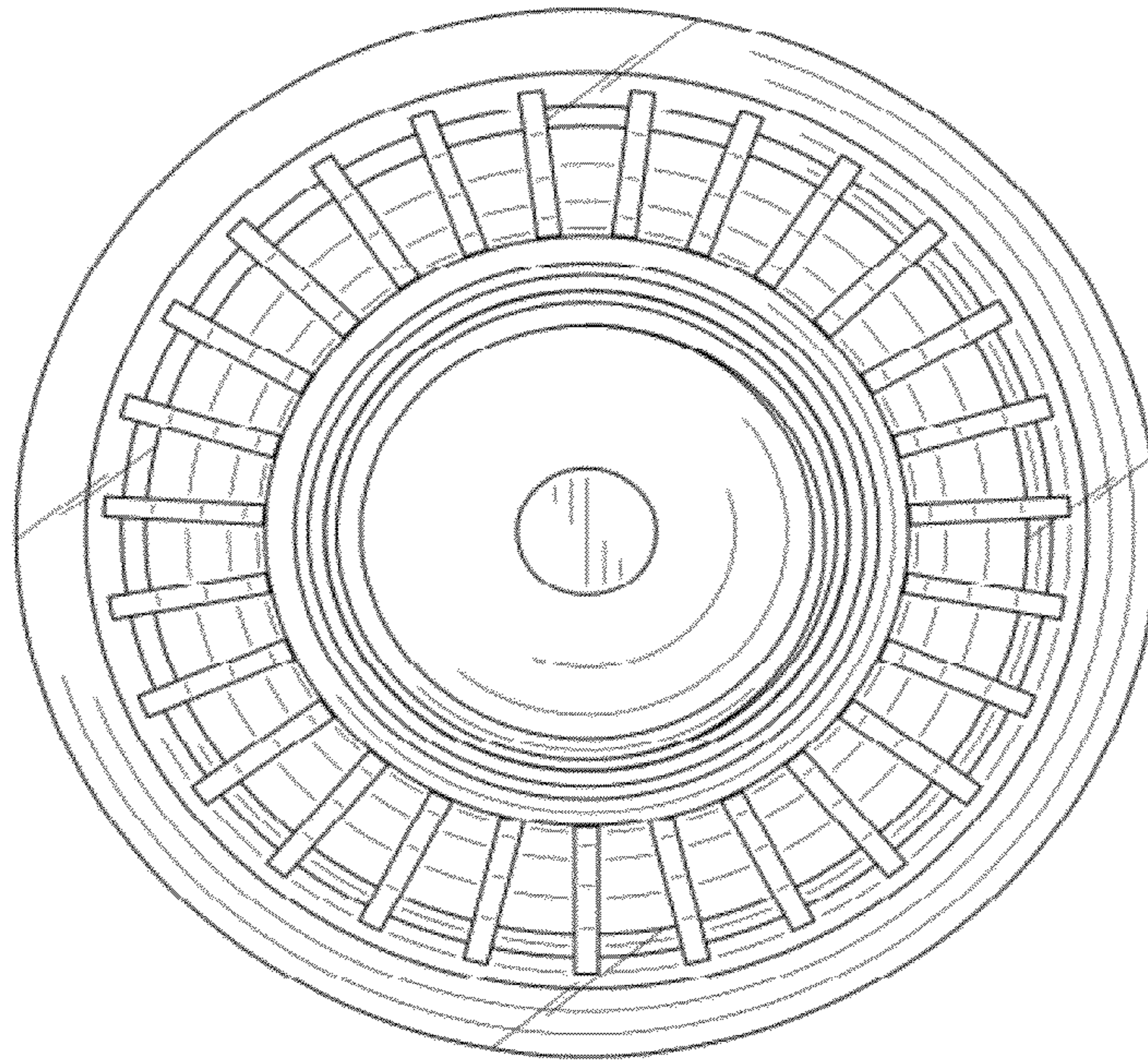


FIG. 7