

US00D667571S

(12) **United States Design Patent**
Zhang

(10) **Patent No.:** **US D667,571 S**

(45) **Date of Patent:** **** Sep. 18, 2012**

(54) **LED LAMP**

(75) Inventor: **Sumin Zhang**, Guangdong (CN)

(73) Assignee: **CE Lighting Ltd.**, Shenzhen (CN)

(**) Term: **14 Years**

(21) Appl. No.: **29/410,083**

(22) Filed: **Jan. 4, 2012**

(30) **Foreign Application Priority Data**

Jul. 4, 2011 (CN) 2011 3 0208233

(51) **LOC (9) Cl.** **26-04**

(52) **U.S. Cl.** **D26/2**

(58) **Field of Classification Search** D26/1-4;
313/313, 315, 316, 317, 318, 493; 315/52,
315/53, 56, 57, 58

See application file for complete search history.

(56) **References Cited**

U.S. PATENT DOCUMENTS

D542,943 S * 5/2007 Wang D26/2
D544,110 S * 6/2007 Hooker et al. D26/2
D546,980 S * 7/2007 Lo D26/2

D547,886 S * 7/2007 Foo D26/2
D549,854 S * 8/2007 Takahashi D26/2
D566,300 S * 4/2008 Lo D26/2
D582,579 S * 12/2008 Tsai et al. D26/2
D587,383 S * 2/2009 Wei D26/2

* cited by examiner

Primary Examiner — Marcus Jackson

(74) *Attorney, Agent, or Firm* — Dovas Law, P.C.

(57) **CLAIM**

The ornamental design for a LED Lamp, as shown and described.

DESCRIPTION

FIG. 1 is a front elevational view of an LED lamp showing my new design;

FIG. 2 is a left side elevational view thereof;

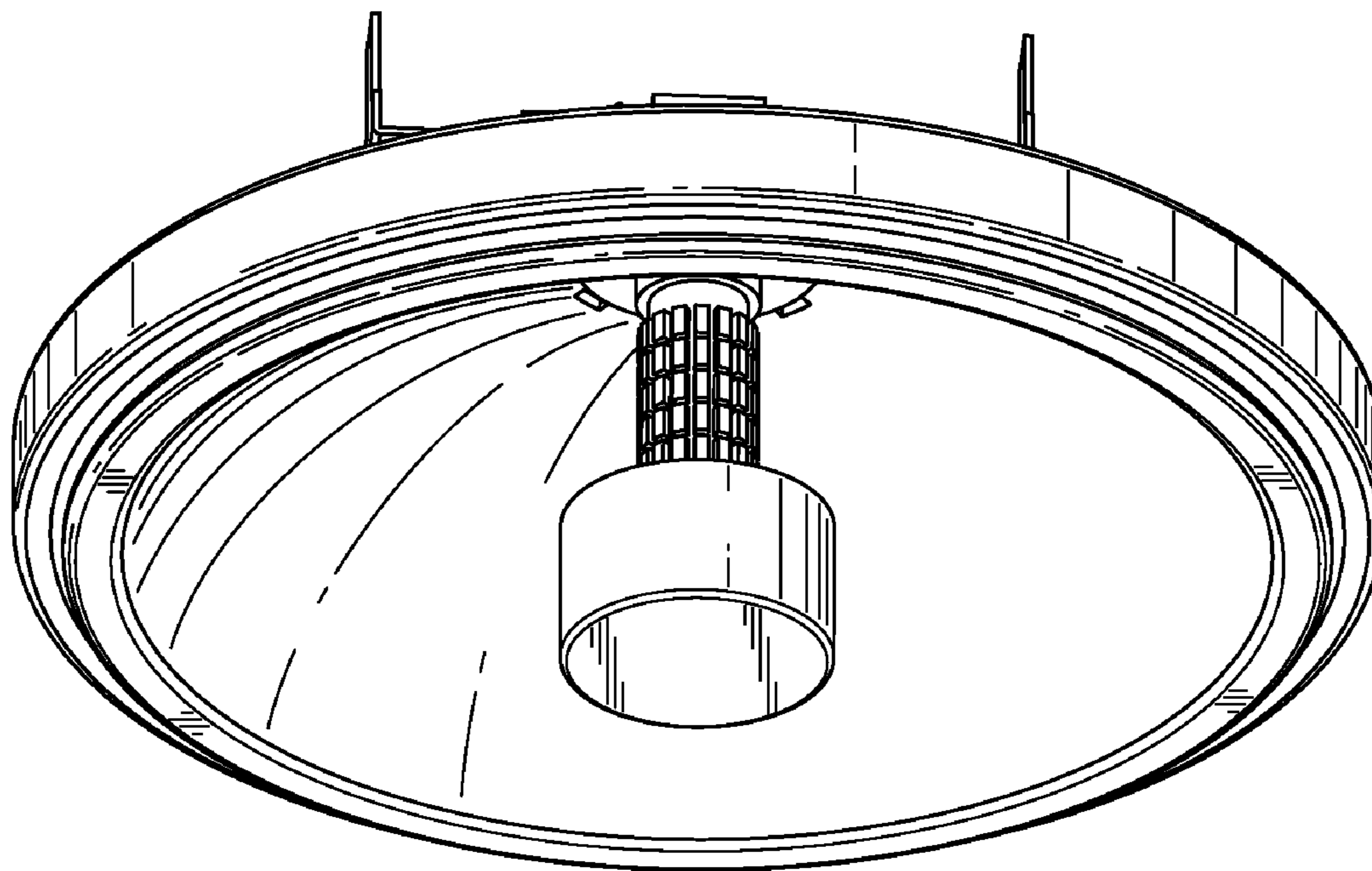
FIG. 3 is a top plan view thereof;

FIG. 4 is a bottom plan view thereof; and,

FIG. 5 is a isometric view thereof.

In the design, the rear elevational view is same as the front elevational view, and the right side elevational view is same as the left side elevational view, and accordingly, additional figures for the rear elevational view and the right side elevational view are not included.

1 Claim, 5 Drawing Sheets



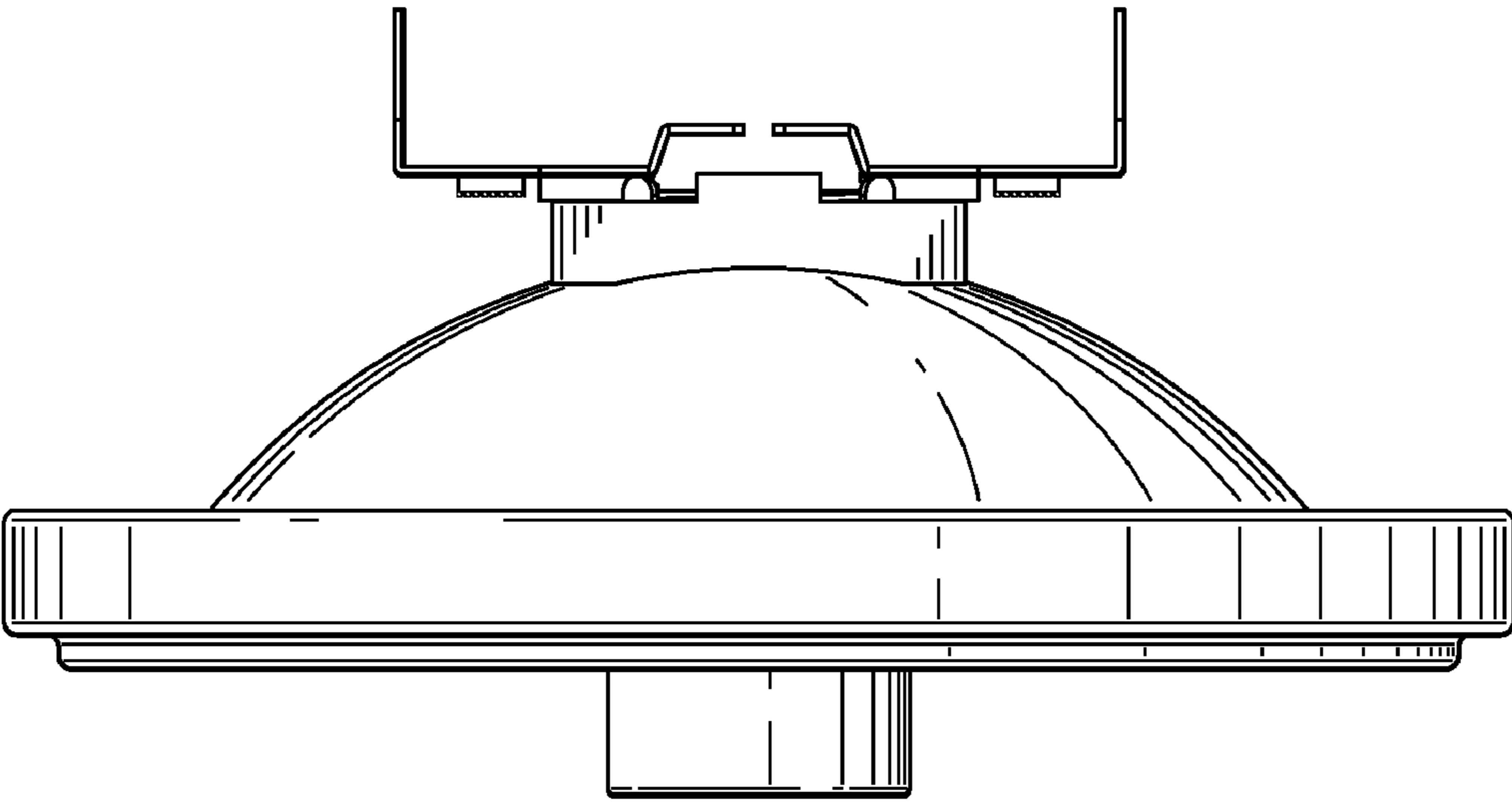


FIG. 1

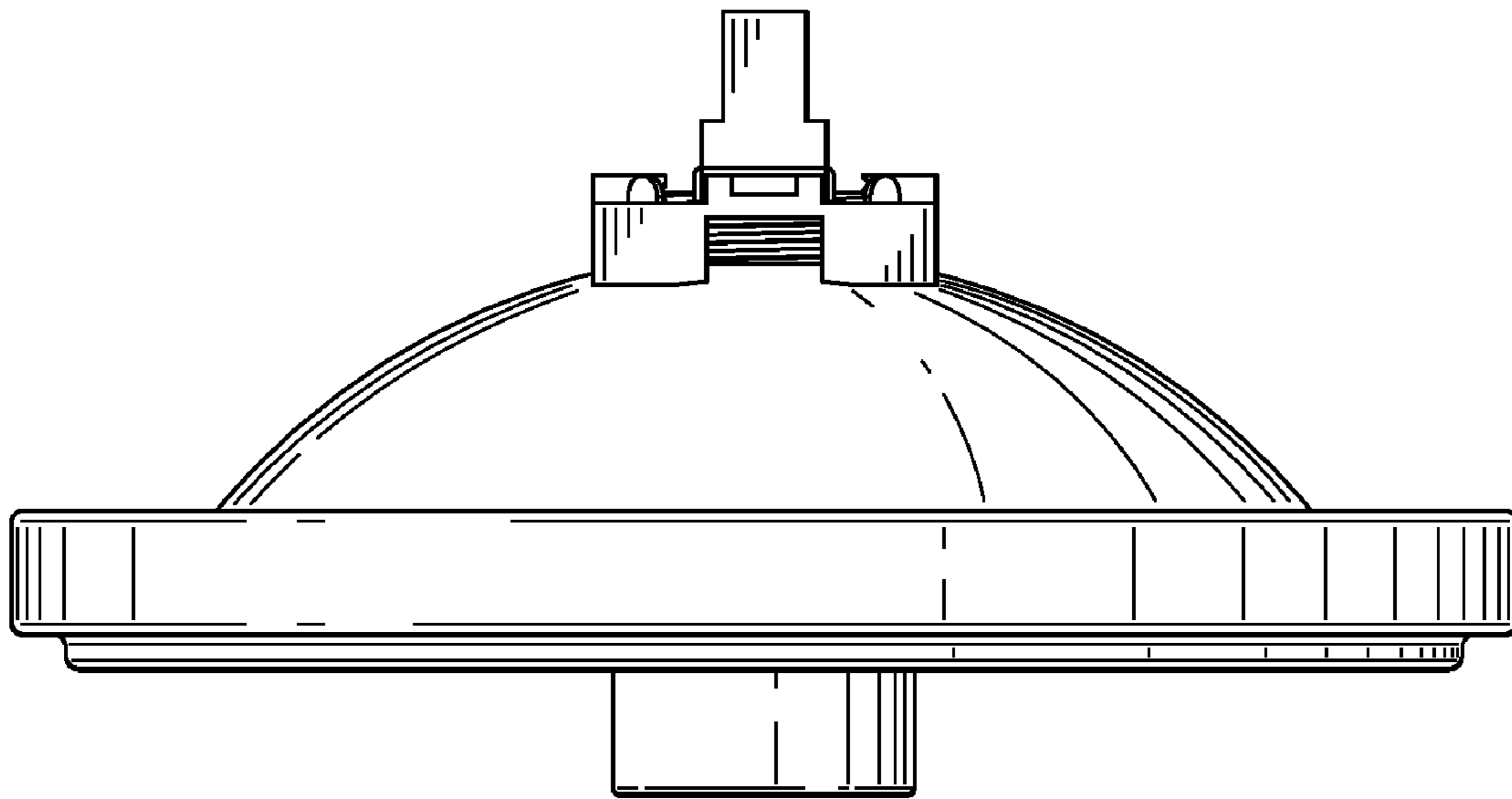


FIG. 2

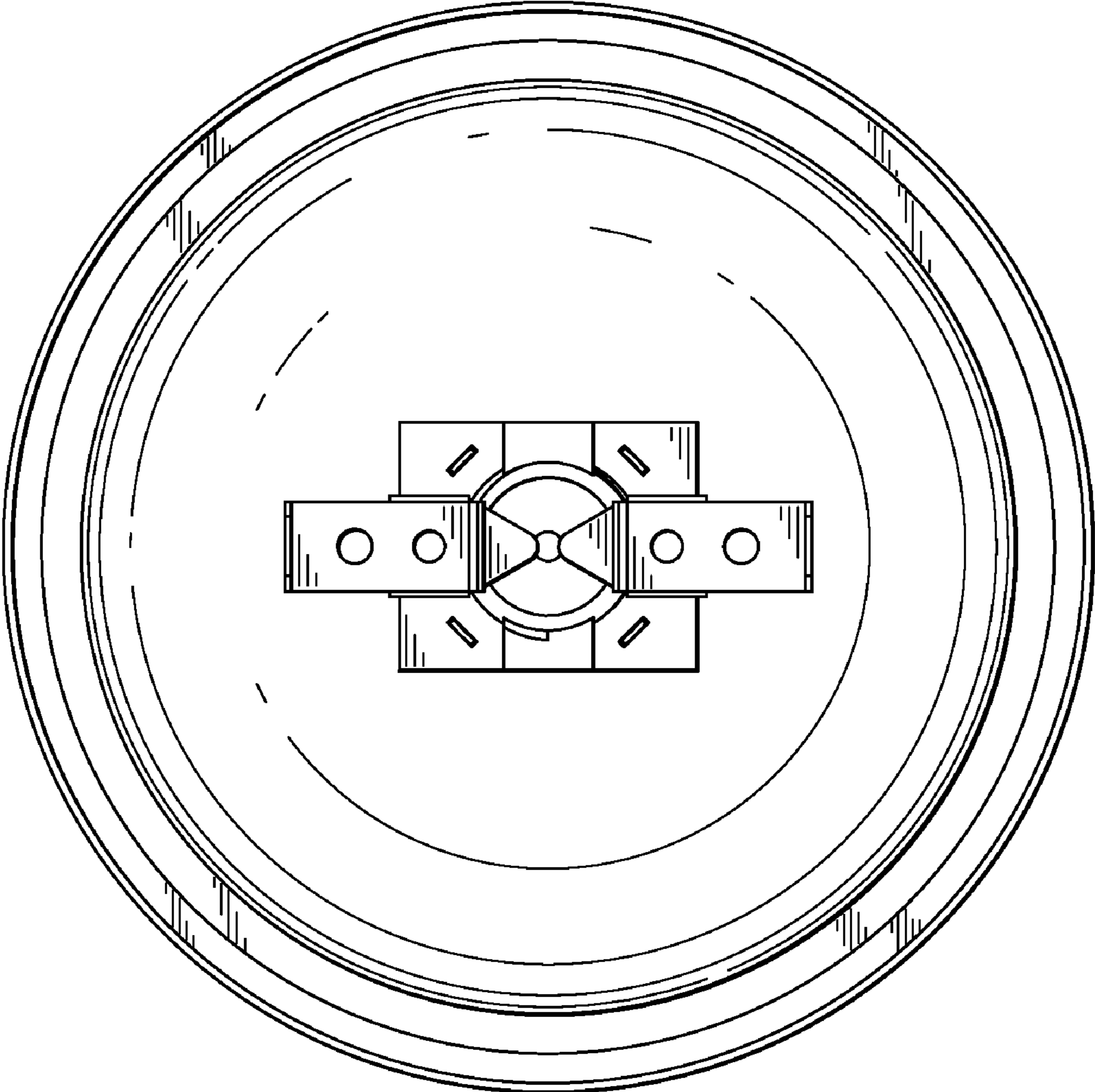


FIG. 3

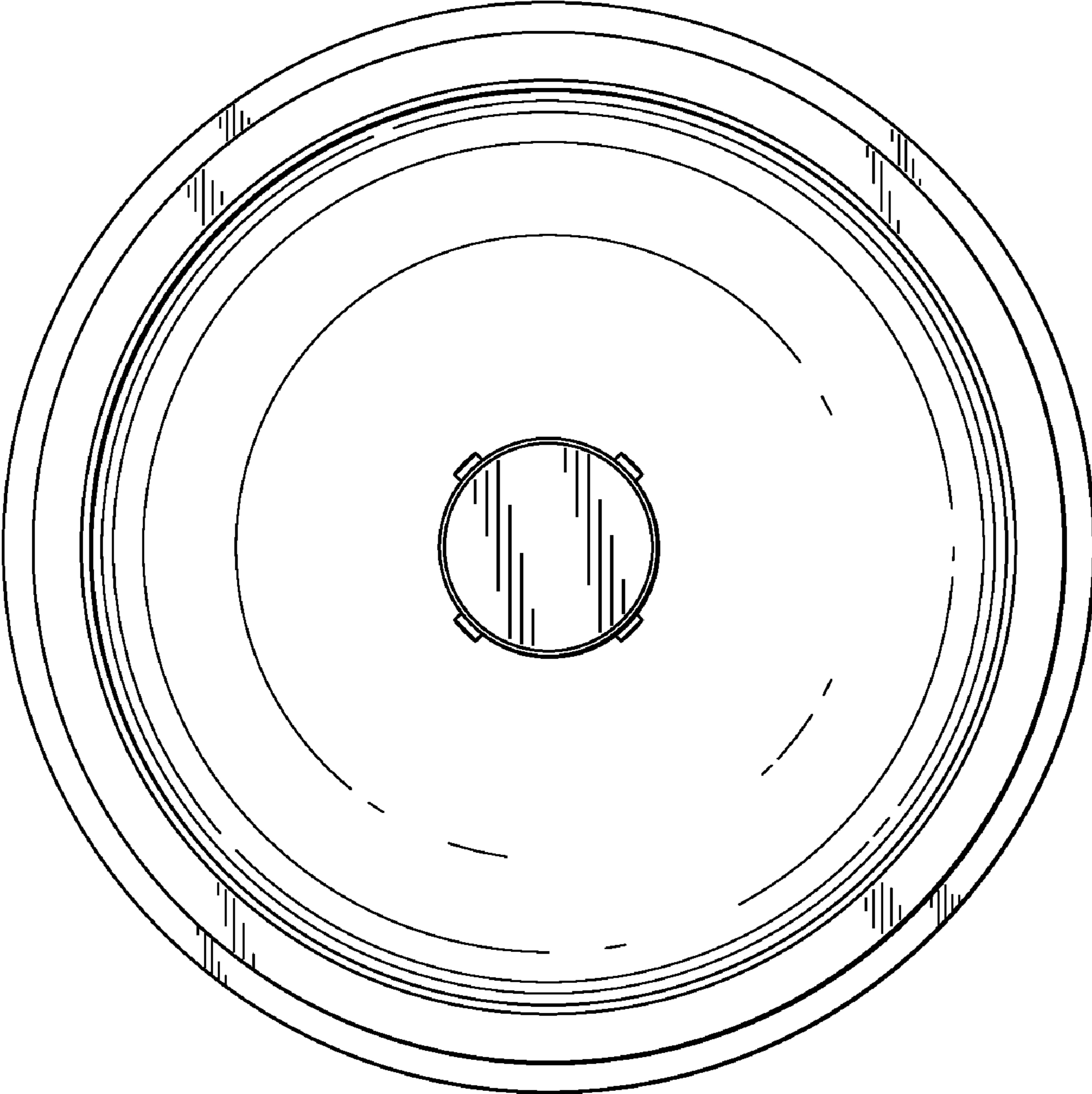


FIG. 4

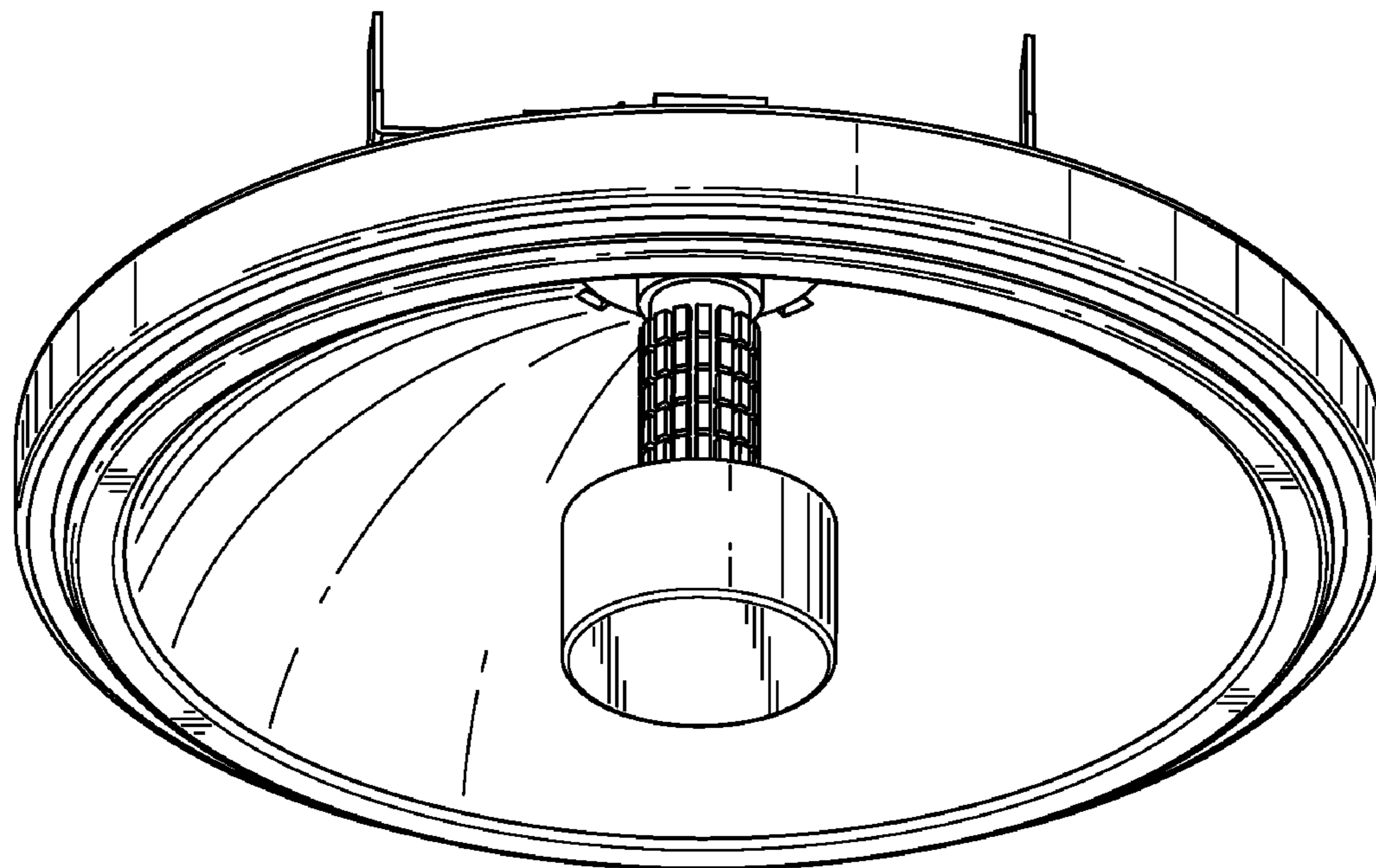


FIG. 5

UNITED STATES PATENT AND TRADEMARK OFFICE
CERTIFICATE OF CORRECTION

PATENT NO. : D667,571 S
APPLICATION NO. : 29/410083
DATED : September 18, 2012
INVENTOR(S) : Sumin Zhang

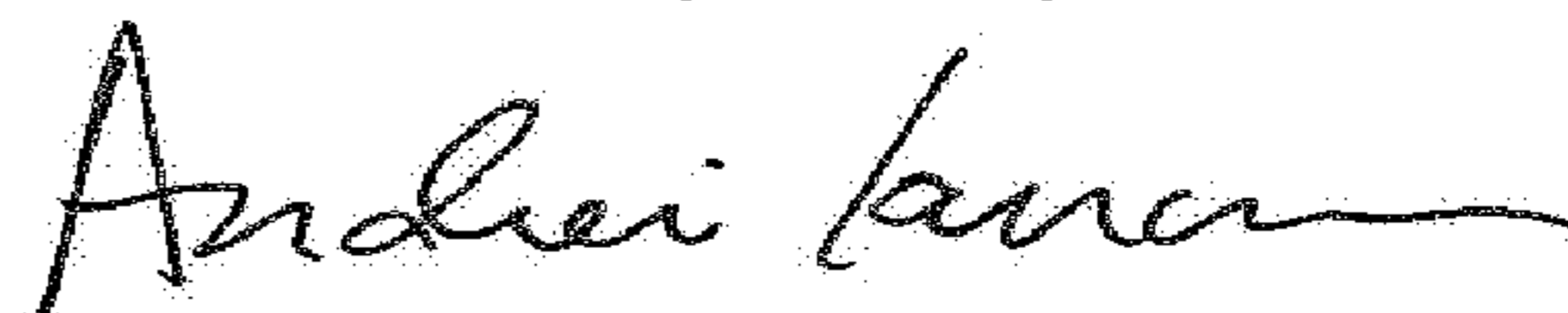
Page 1 of 1

It is certified that error appears in the above-identified patent and that said Letters Patent is hereby corrected as shown below:

On the Title Page

At item (73), Line 1, after the word "Assignee:" delete "CE Lighting Ltd." and insert therefor
-- Smalux Electrical Mfg. Ltd. --

Signed and Sealed this
Tenth Day of July, 2018



Andrei Iancu
Director of the United States Patent and Trademark Office