

US00D667569S

(12) **United States Design Patent**
Chen et al.

(10) **Patent No.:** **US D667,569 S**

(45) **Date of Patent:** **** Sep. 18, 2012**

(54) **COMBINATION LAMP CAP AND LAMP HOLDER**

D642,289 S * 7/2011 Kleene D26/1
* cited by examiner

(75) Inventors: **Jian Chen**, Fuzhou (CN); **Xiangyang Yao**, Fuzhou (CN); **Jinmei Wang**, Fuzhou (CN); **Lengyi Chen**, Fuzhou (CN)

Primary Examiner — Marcus Jackson
(74) *Attorney, Agent, or Firm* — Harness, Dickey & Pierce, P.L.C.

(73) Assignee: **Fujian Newland Entech Co., Ltd.**, Fuzhou (CN)

(57) **CLAIM**
The ornamental design for a combination lamp cap and lamp holder, as shown and described.

(**) Term: **14 Years**

DESCRIPTION

(21) Appl. No.: **29/415,096**

FIG. 1 is a front view of a lamp cap in accordance with this new design;

(22) Filed: **Mar. 7, 2012**

FIG. 2 is a top view of the lamp cap of FIG. 1;

Related U.S. Application Data

(62) Division of application No. 29/321,515, filed on Jul. 17, 2008, now Pat. No. Des. 657,074.

FIG. 3 is a left side view of the lamp cap of FIG. 1;

(51) **LOC (9) Cl.** **26-04**

(52) **U.S. Cl.** **D26/1**

(58) **Field of Classification Search** D26/1;
362/23, 390–391, 444–448

FIG. 4 is a right side view of the lamp cap of FIG. 1;

FIG. 5 is a rear view of the lamp cap of FIG. 1;

FIG. 6 is a perspective view of the lamp cap of FIG. 1;

FIG. 7 is a front view of a lamp holder in accordance with this new design, which is cooperated with the lamp cap of FIG. 1;

FIG. 8 is a top view of the lamp holder of FIG. 7;

FIG. 9 is a left side view of the lamp holder of FIG. 7;

FIG. 10 is a right side view of the lamp holder of FIG. 7;

FIG. 11 is a rear view of the lamp holder of FIG. 7;

FIG. 12 is a perspective view of the lamp holder of FIG. 7;

and,

FIG. 13 is a perspective view of the lamp cap of FIG. 6 and the lamp holder of FIG. 12 shown together.

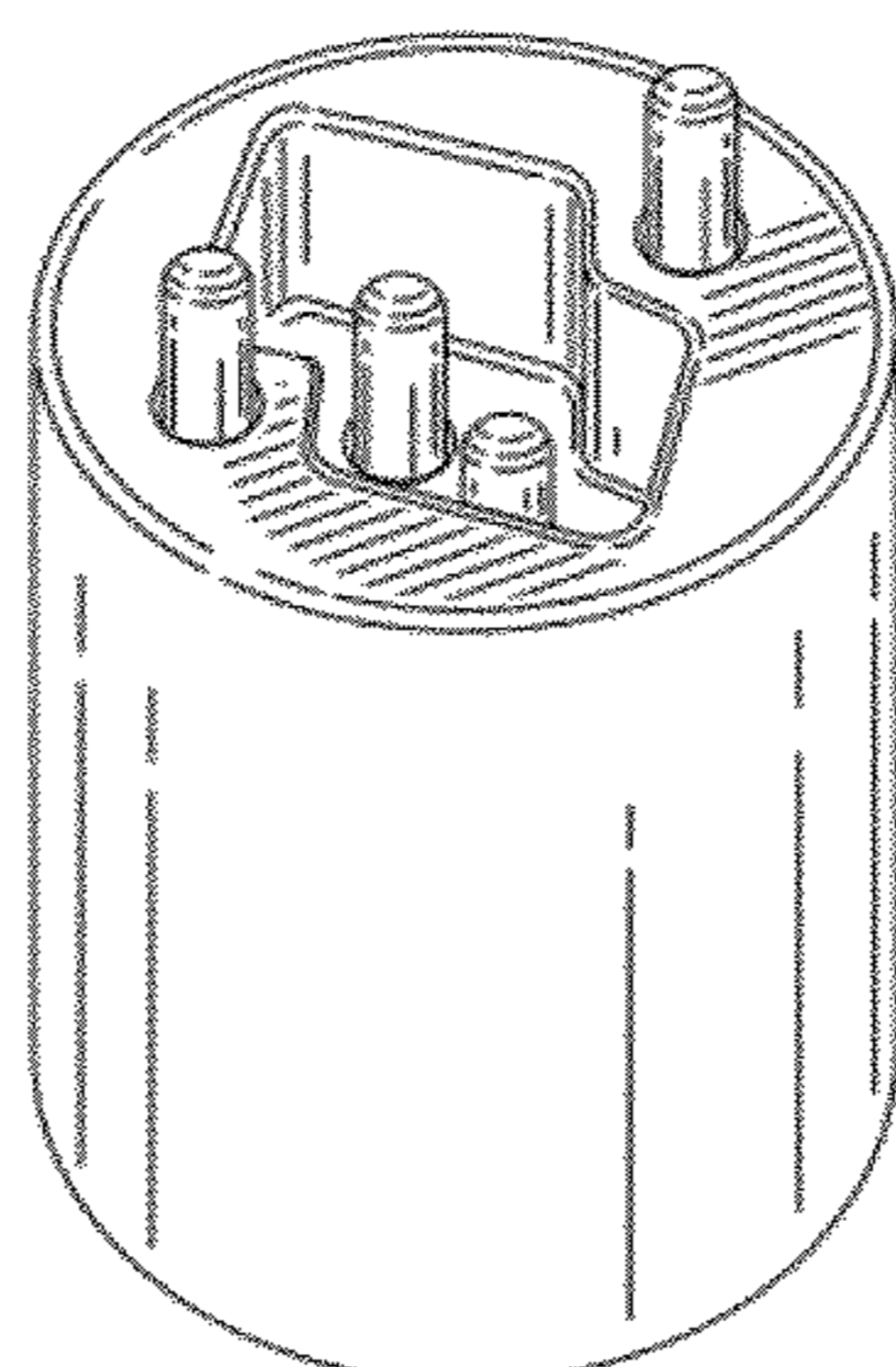
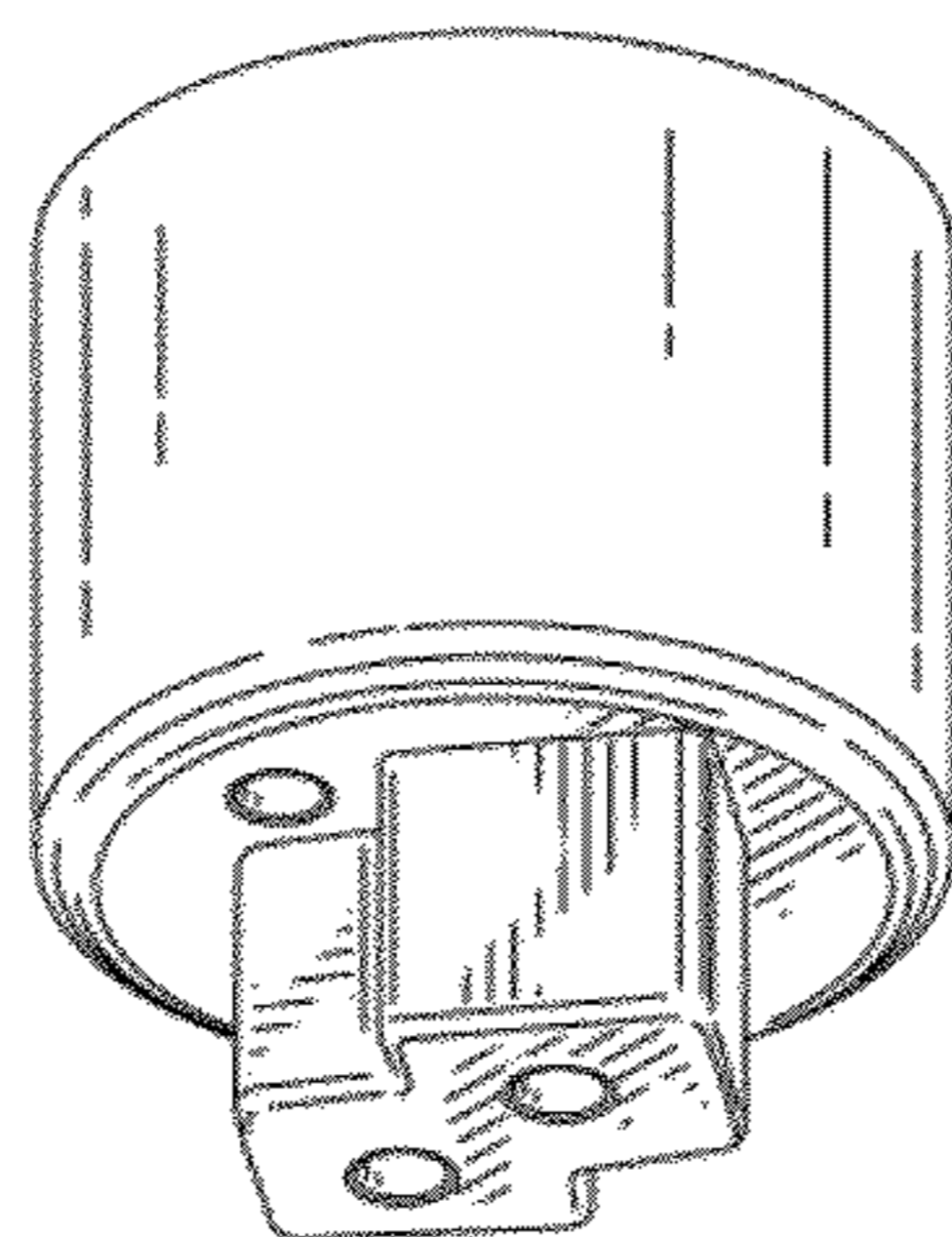
See application file for complete search history.

(56) **References Cited**

U.S. PATENT DOCUMENTS

D214,911 S * 8/1969 Morgan D26/1
4,329,736 A * 5/1982 Nelle et al. 362/23

1 Claim, 7 Drawing Sheets



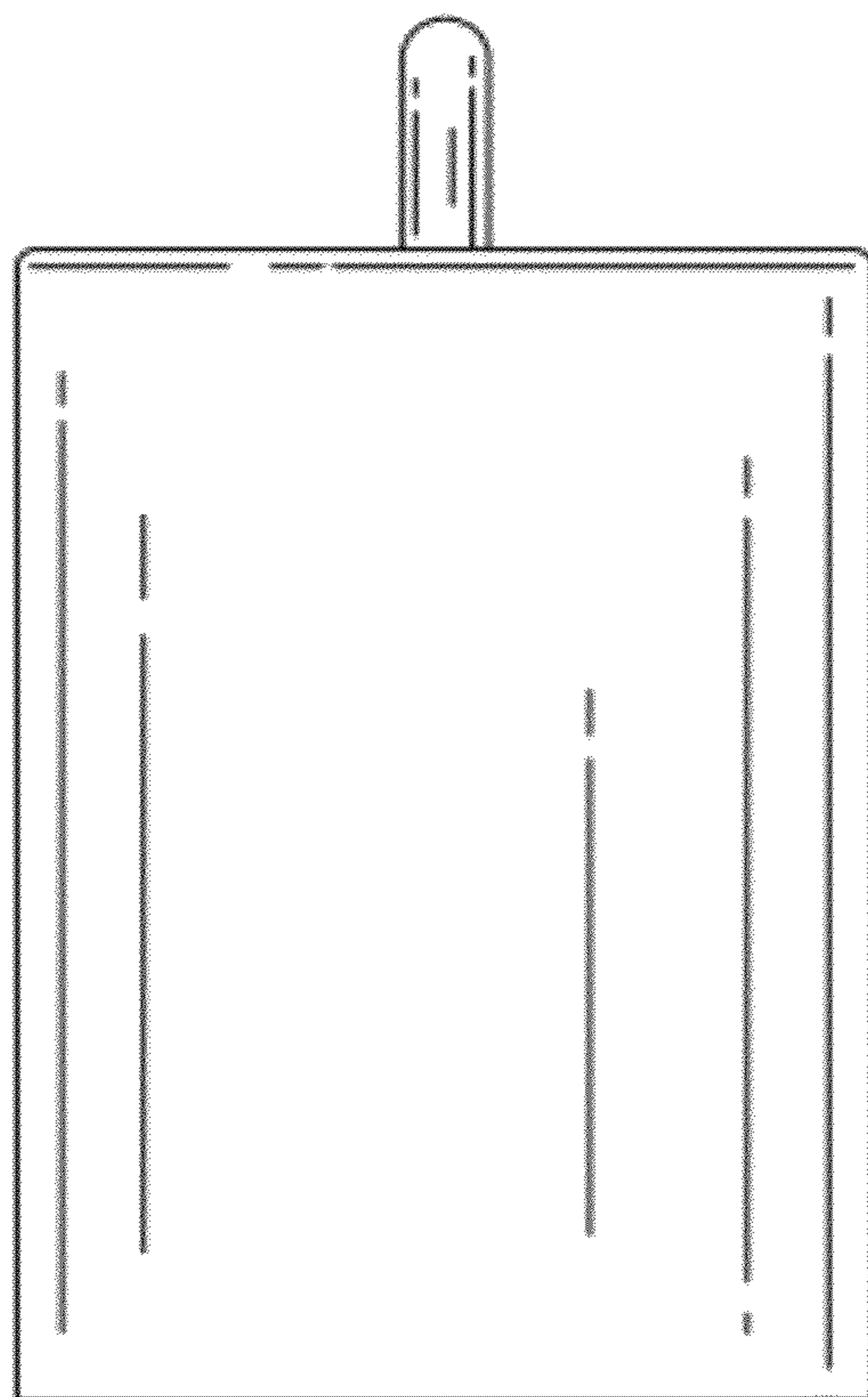


FIG. 1

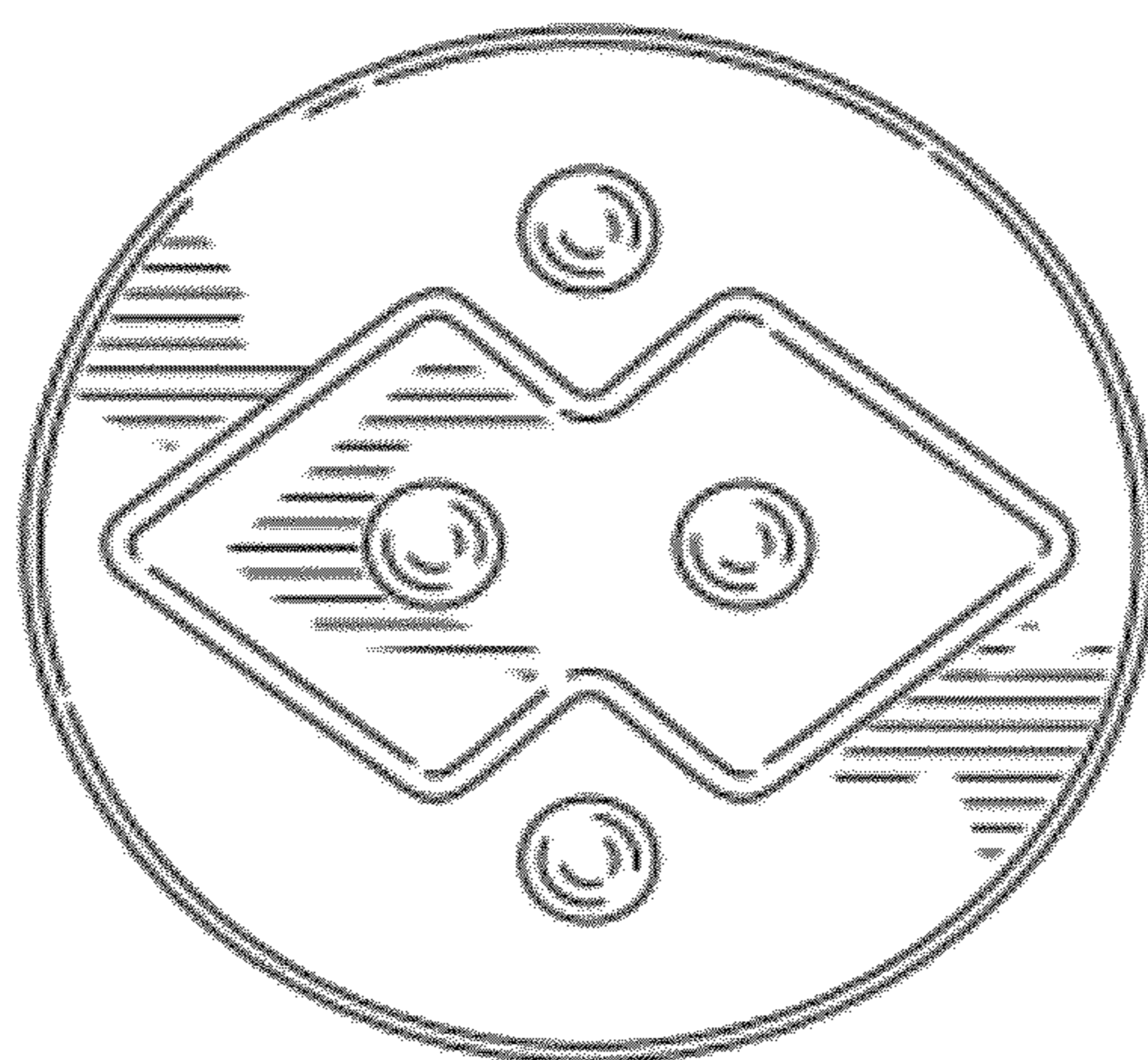


FIG. 2

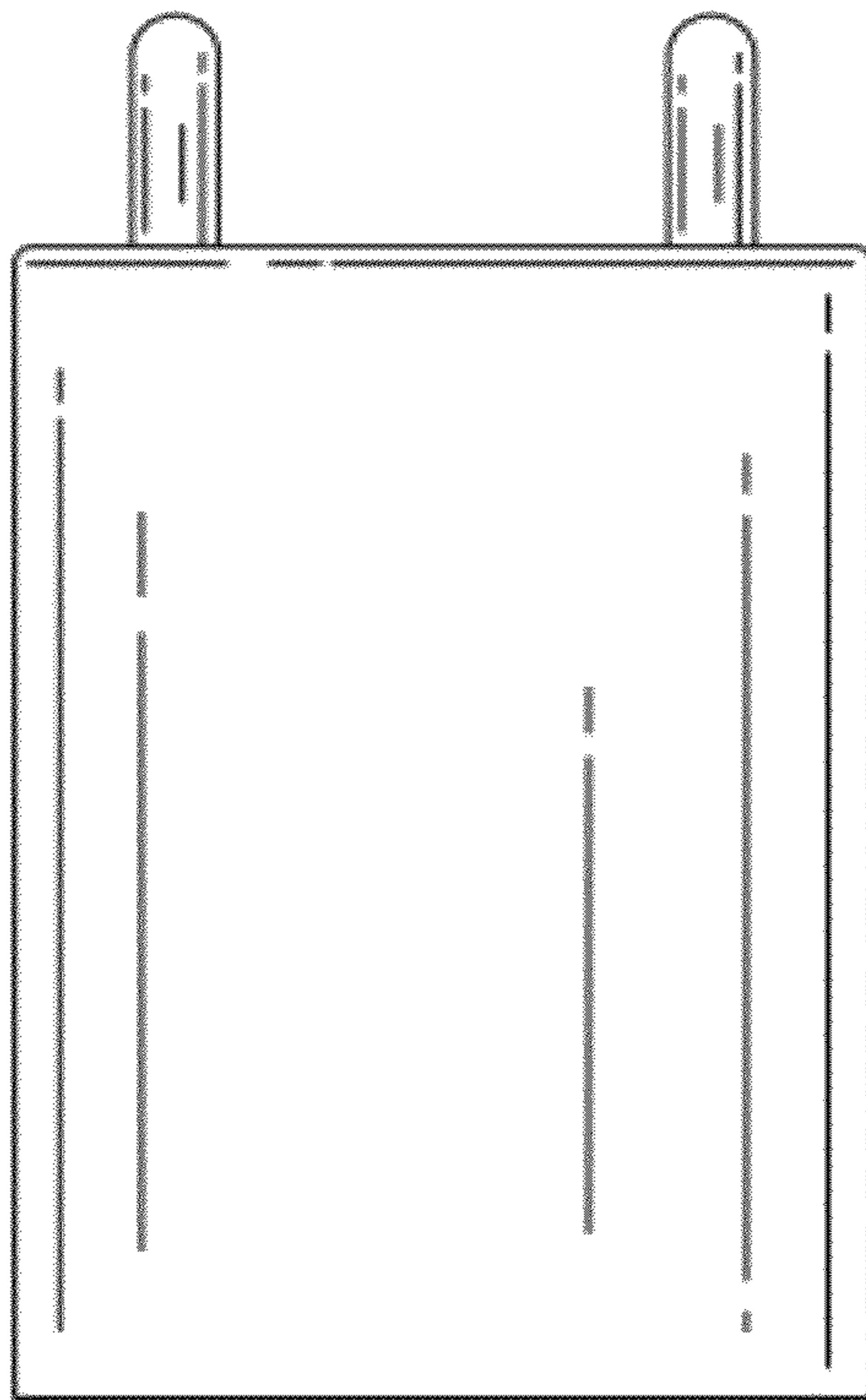


FIG. 3

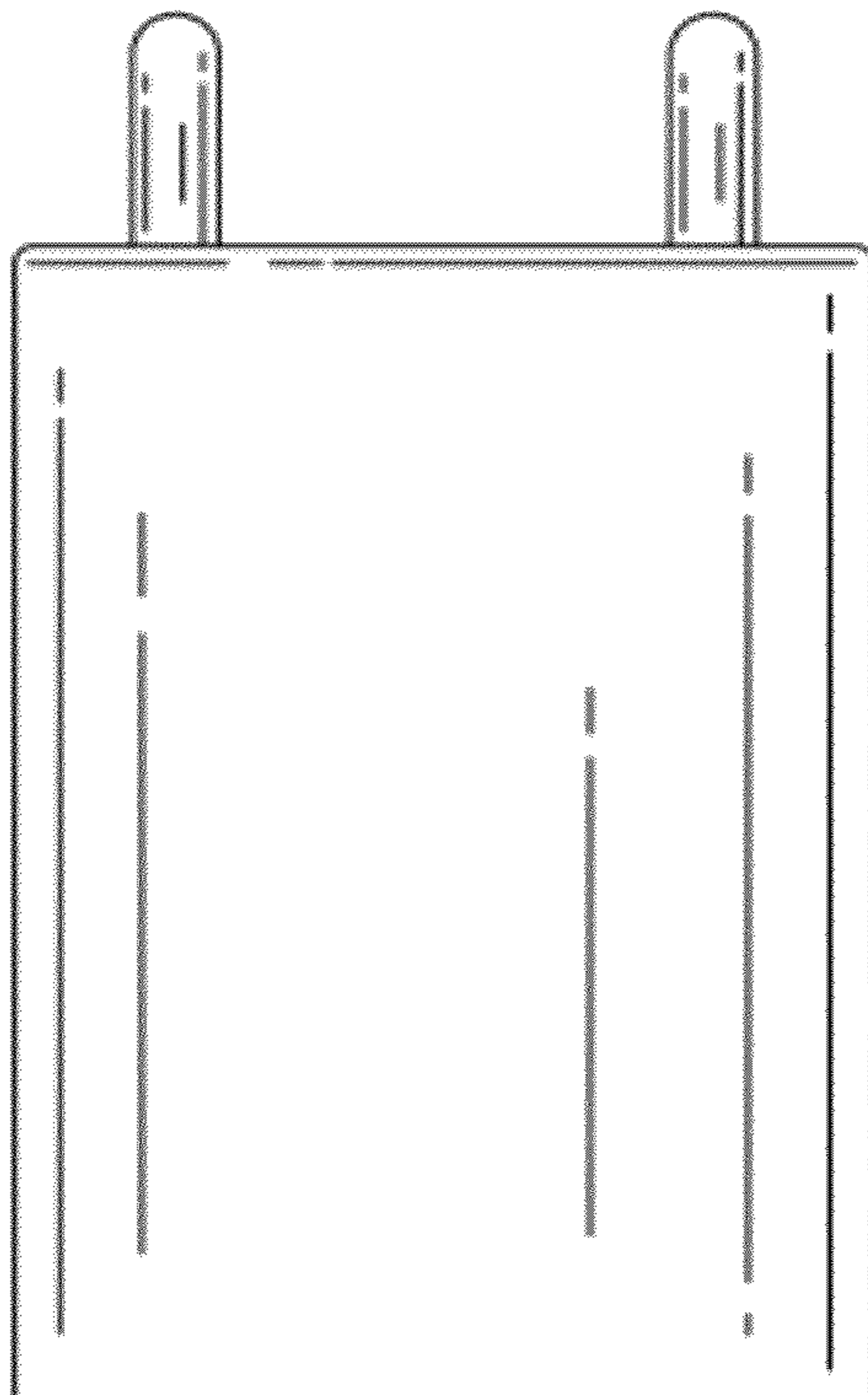


FIG. 4

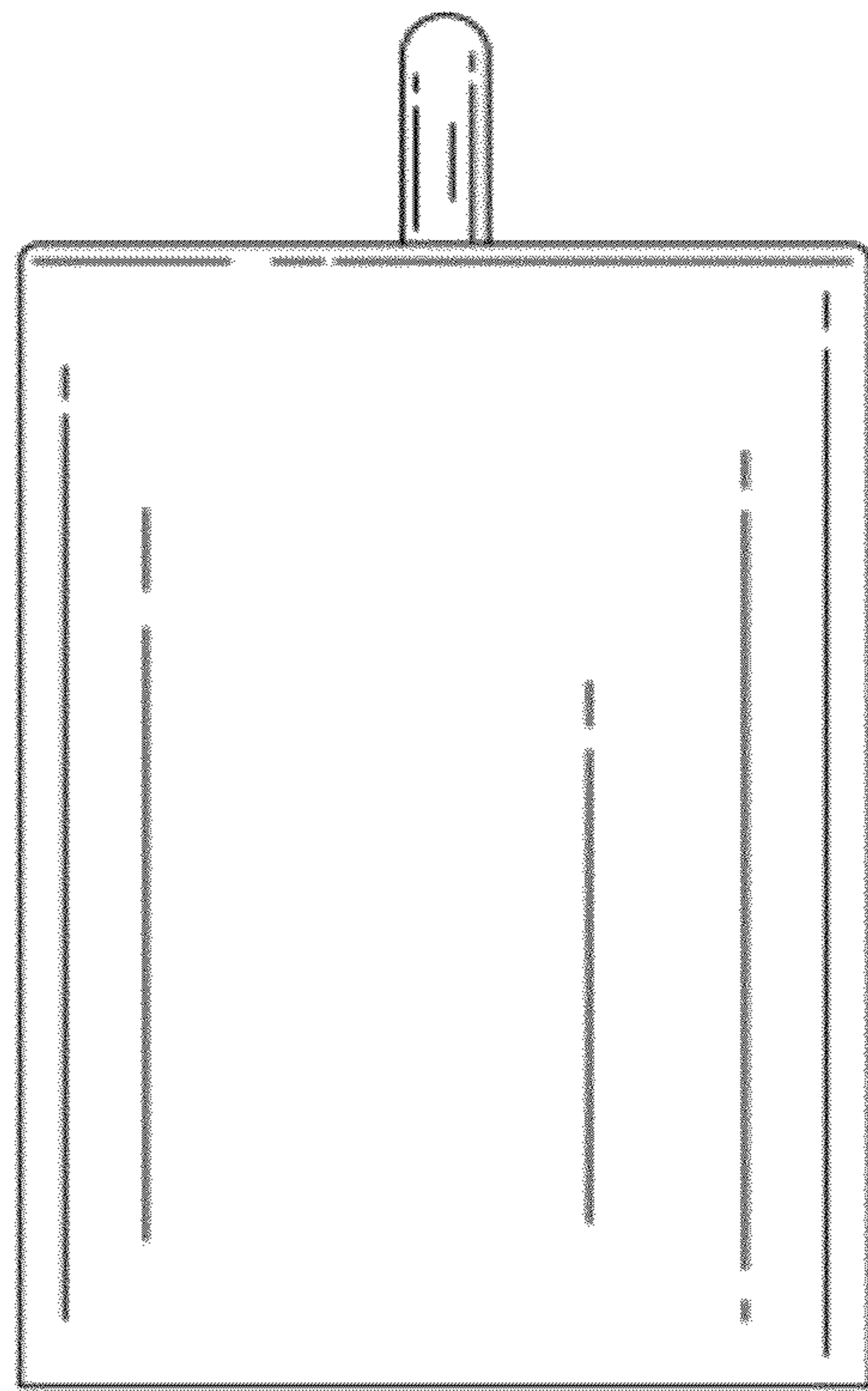


FIG. 5

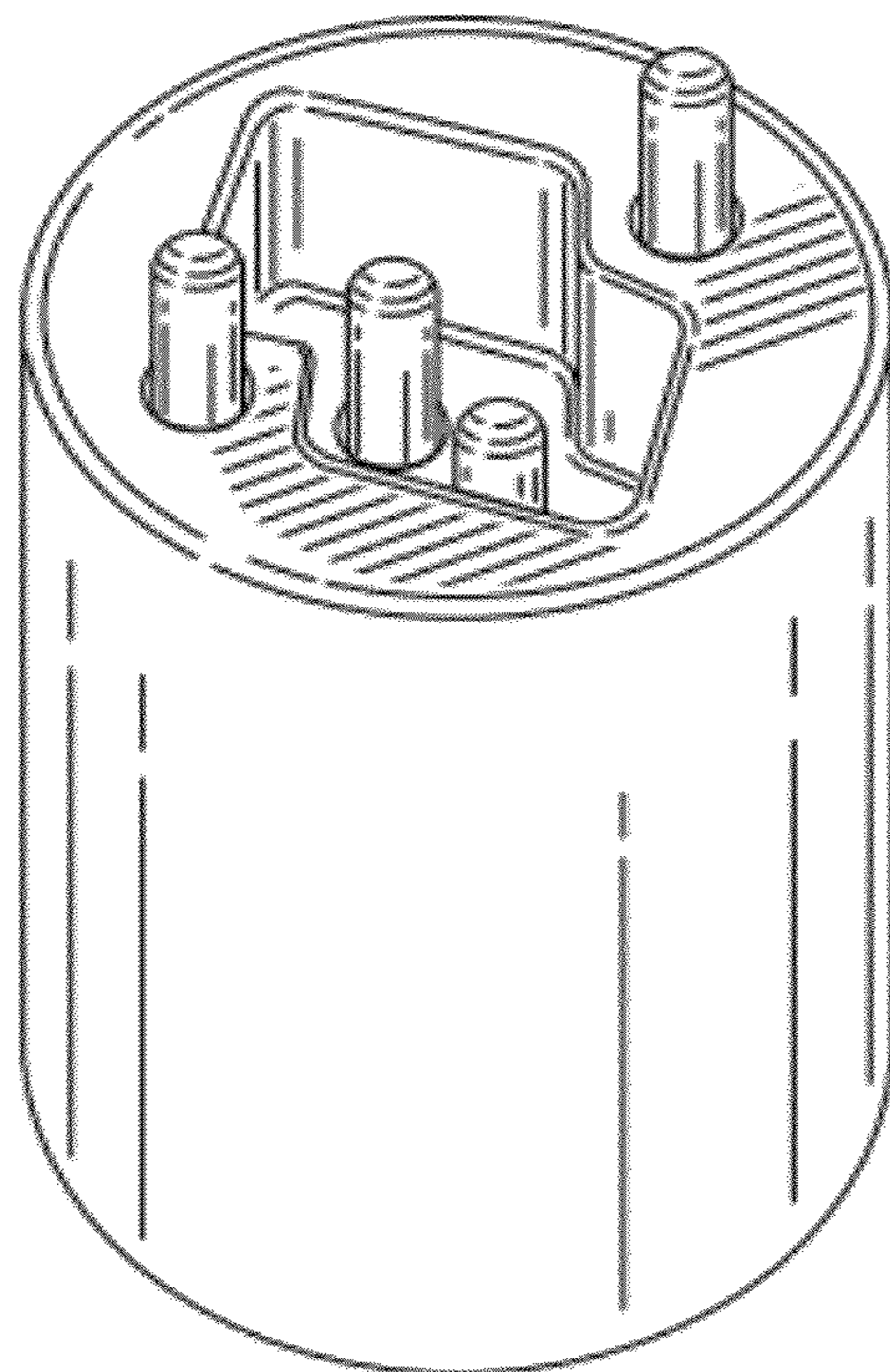


FIG. 6

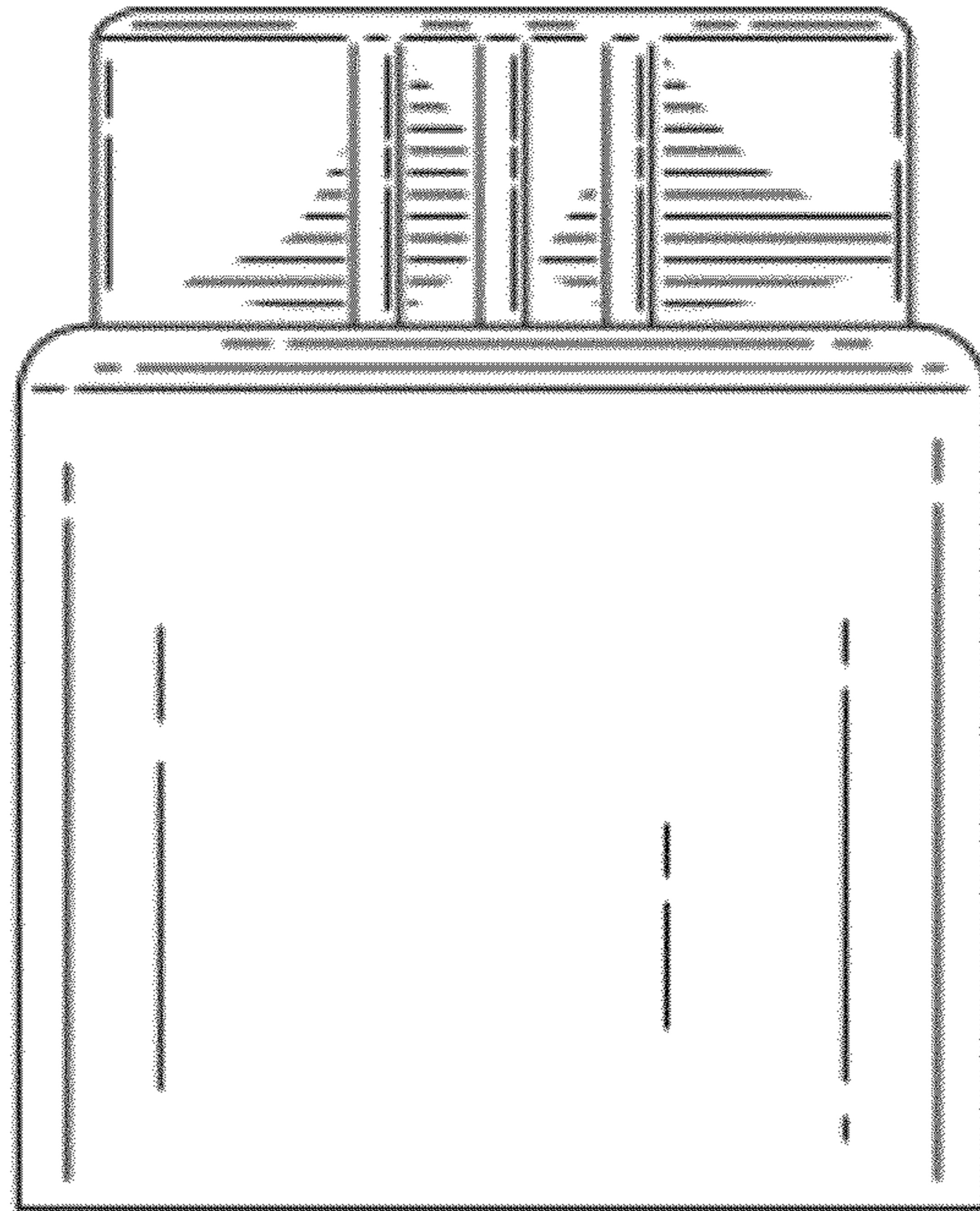


FIG. 7



FIG. 8

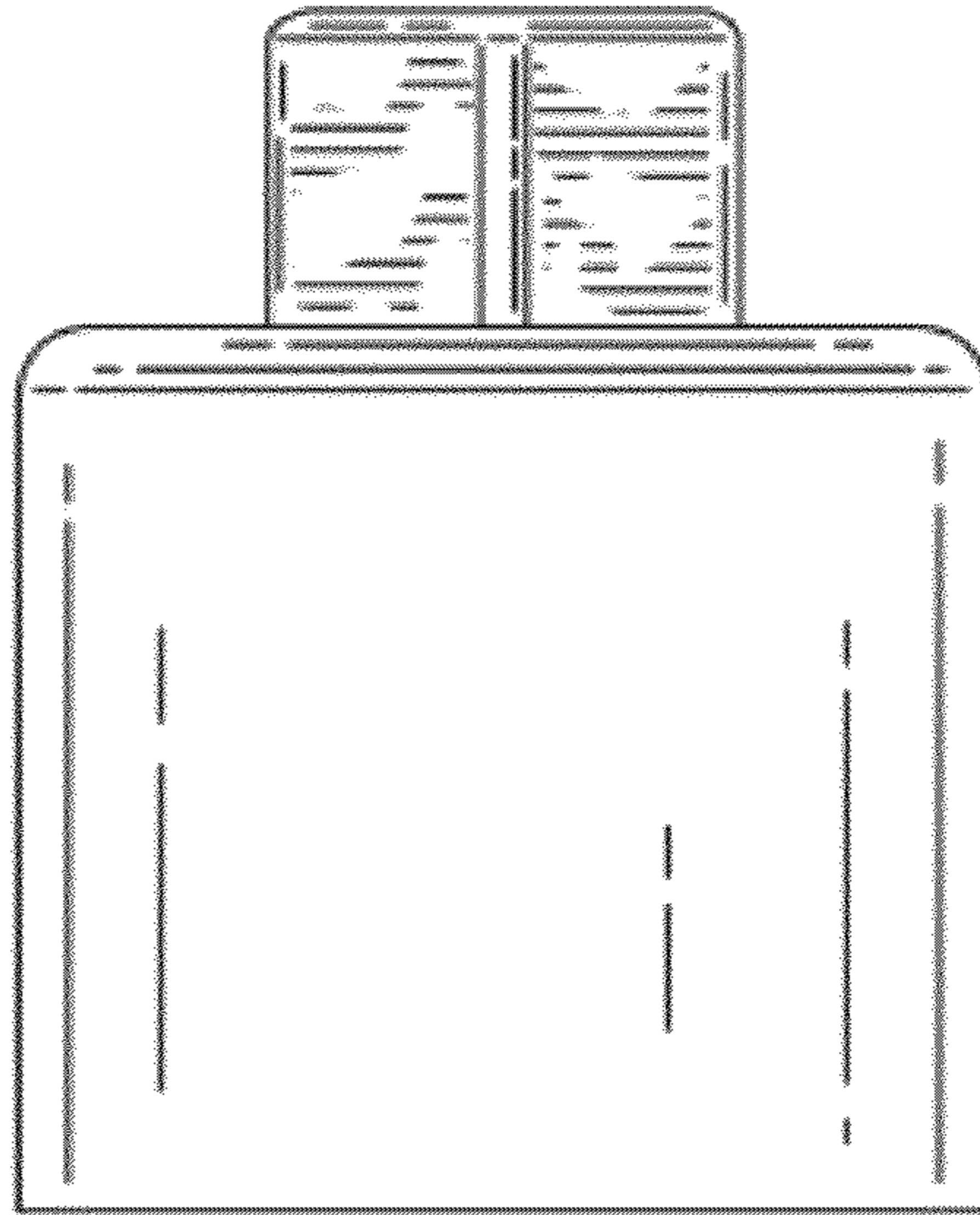


FIG. 9

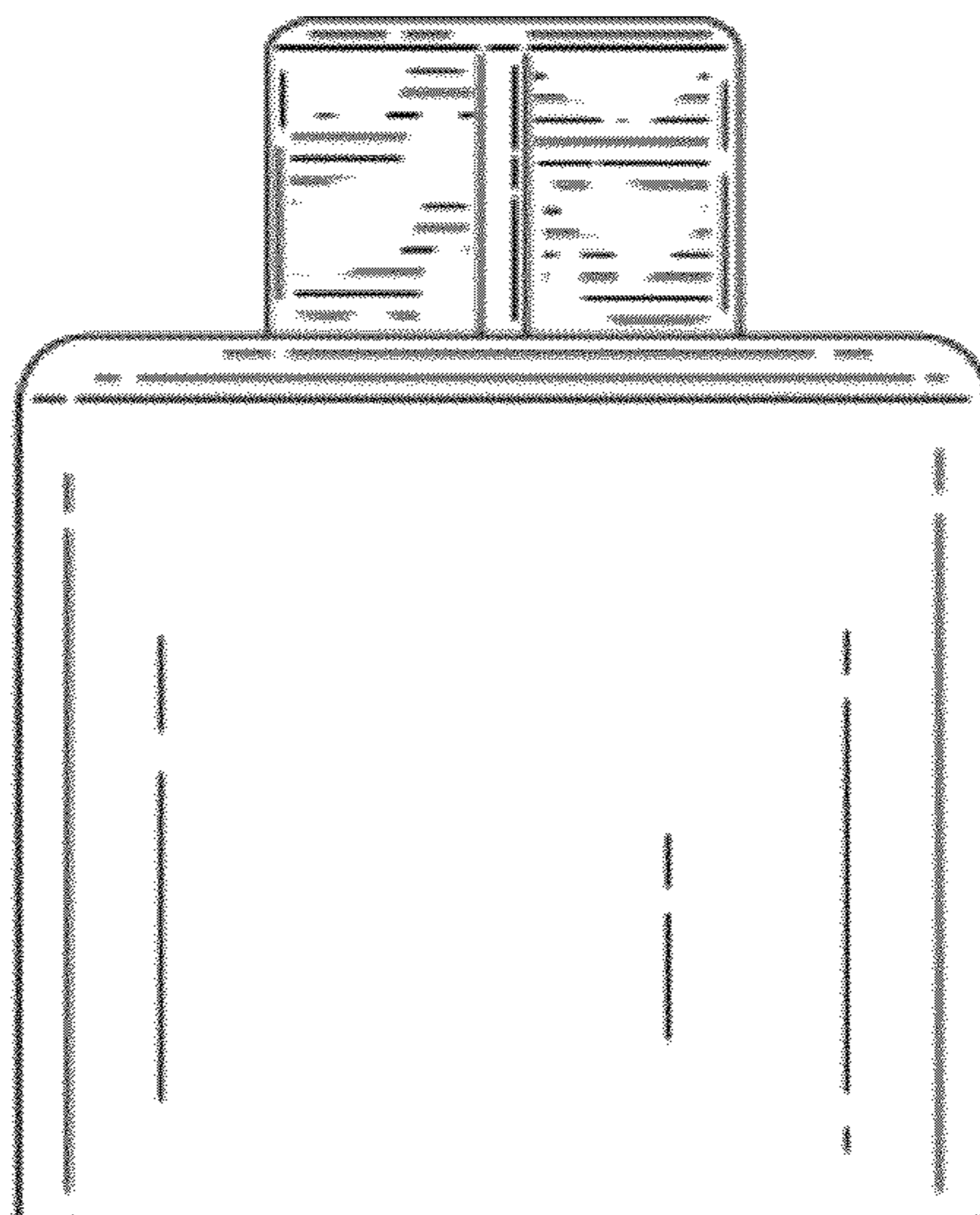


FIG. 10

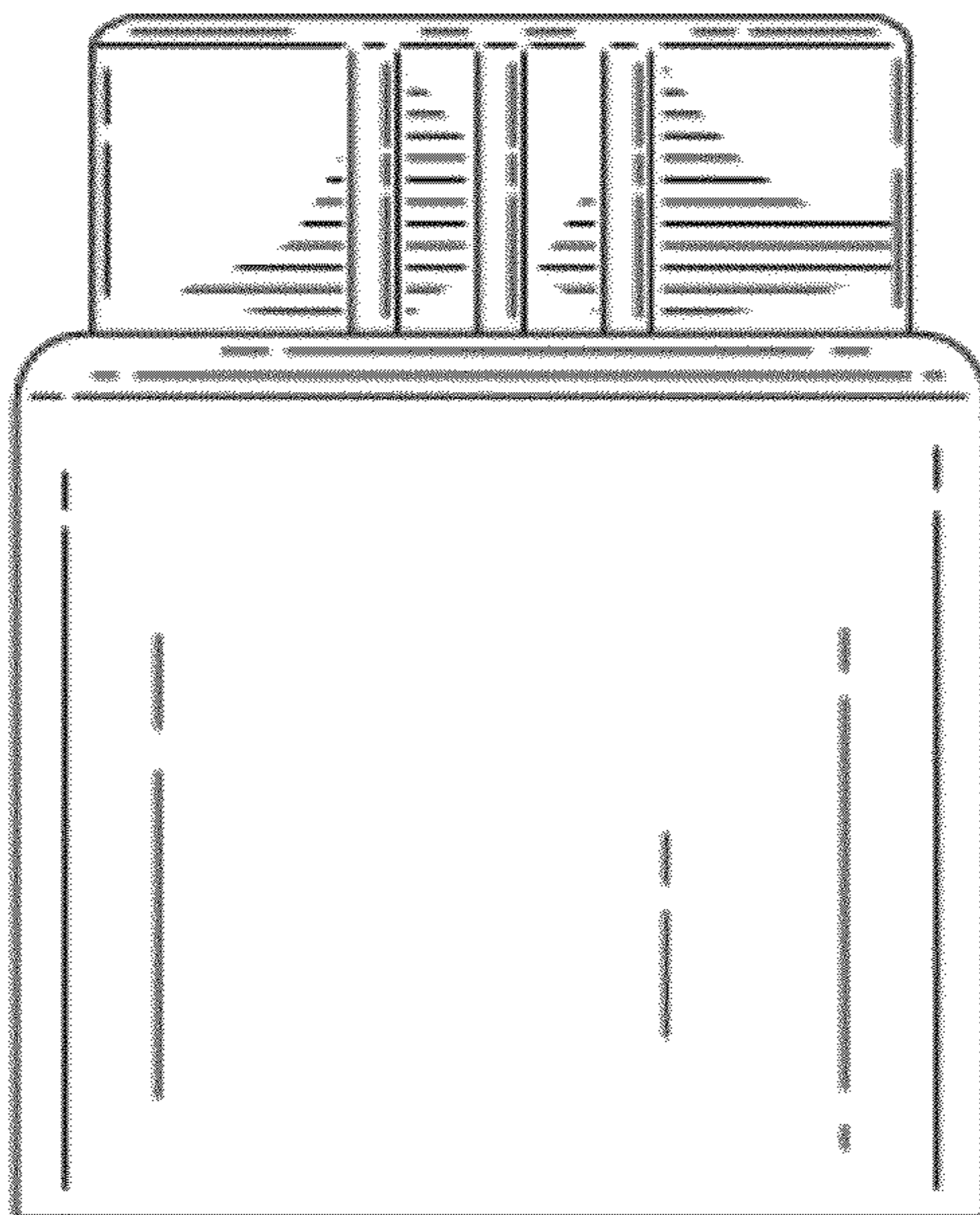


FIG. 11

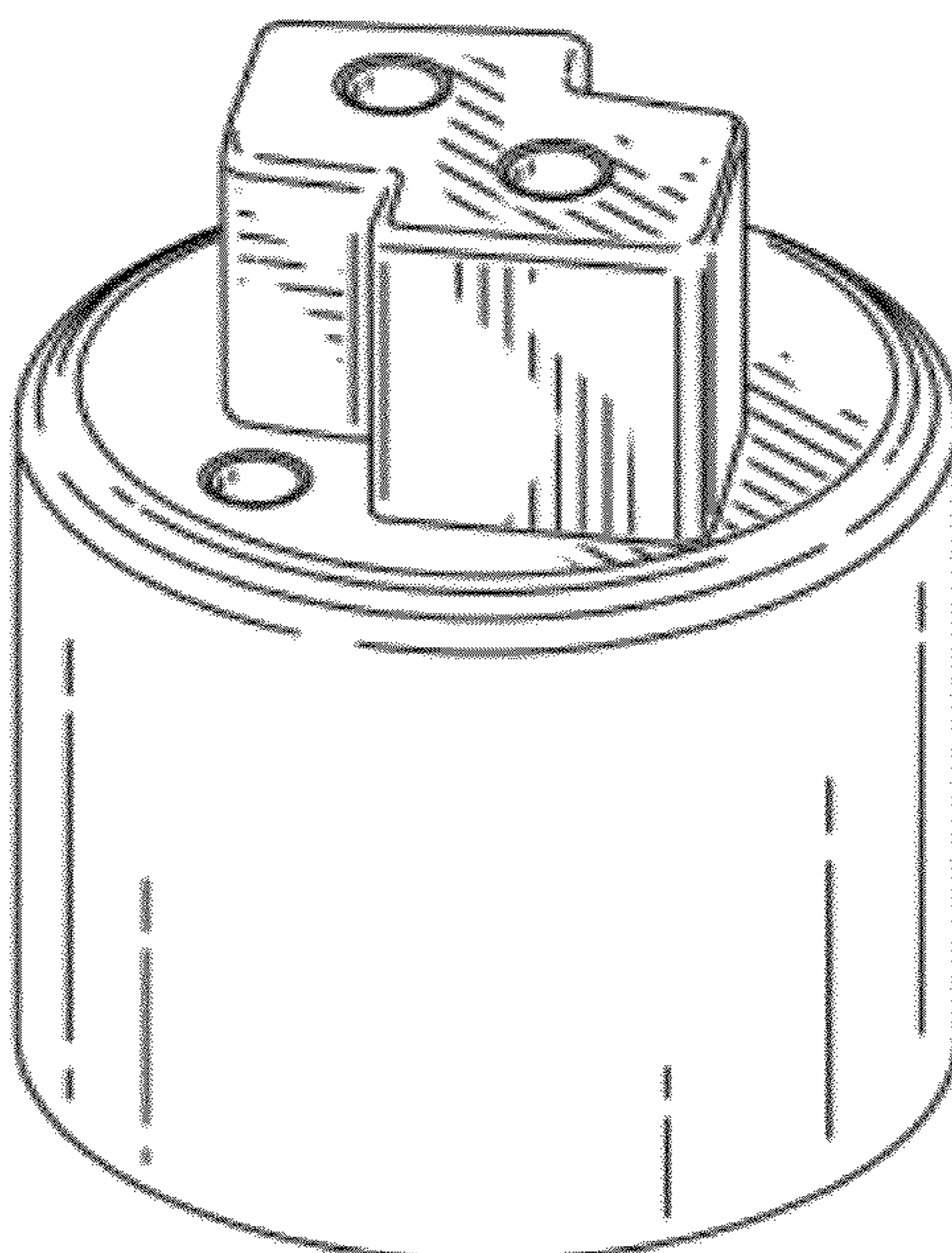
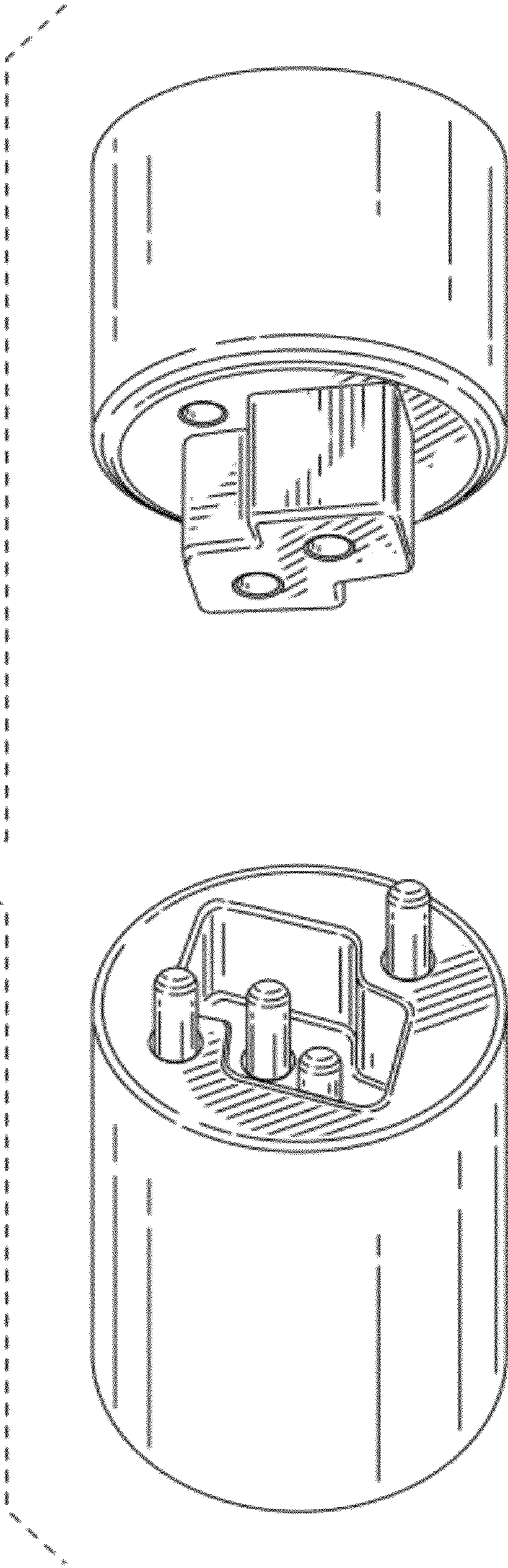


FIG. 12

FIG. 13



UNITED STATES PATENT AND TRADEMARK OFFICE
CERTIFICATE OF CORRECTION

PATENT NO. : D667,569 S
APPLICATION NO. : 29/415096
DATED : September 18, 2012
INVENTOR(S) : Chen et al.

Page 1 of 1

It is certified that error appears in the above-identified patent and that said Letters Patent is hereby corrected as shown below:

Title Page, below Item (22) insert

-- (30) Foreign Application Priority Data

Jan. 17, 2008	(CN)	200830110169.8
Feb. 3, 2008	(CN)	200830110336.9
Feb. 3, 2008	(CN)	200830110338.8
Feb. 3, 2008	(CN)	200830110340.5 --

Signed and Sealed this
First Day of January, 2013



David J. Kappos
Director of the United States Patent and Trademark Office