

US00D667568S

(12) **United States Design Patent**
Chen et al.

(10) **Patent No.:** **US D667,568 S**
(45) **Date of Patent:** **** Sep. 18, 2012**

(54) **COMBINATION LAMP CAP AND LAMP HOLDER**

(75) Inventors: **Jian Chen**, Fuzhou (CN); **Xiangyang Yao**, Fuzhou (CN); **Jinmei Wang**, Fuzhou (CN); **Lengyi Chen**, Fuzhou (CN)

(73) Assignee: **Fujian Newland Entech Co., Ltd.**, Fuzhou (CN)

(**) Term: **14 Years**

(21) Appl. No.: **29/415,094**

(22) Filed: **Mar. 7, 2012**

Related U.S. Application Data

(62) Division of application No. 29/321,515, filed on Jul. 17, 2008, now Pat. No. Des. 657,074.

(30) **Foreign Application Priority Data**

Jan. 17, 2008	(CN)	2008 3 0110169
Feb. 3, 2008	(CN)	2008 3 0110336
Feb. 3, 2008	(CN)	2008 3 0110338
Feb. 3, 2008	(CN)	2008 3 0110340

(51) **LOC (9) Cl.** **26-04**

(52) **U.S. Cl.** **D26/1**

(58) **Field of Classification Search** D26/1;
362/23, 390-391, 444-448

See application file for complete search history.

(56) **References Cited**

U.S. PATENT DOCUMENTS

D214,911	S	*	8/1969	Morgan	D26/1
4,329,736	A	*	5/1982	Nelle et al.	362/23
D642,289	S	*	7/2011	Kleene	D26/1

* cited by examiner

Primary Examiner — Marcus Jackson

(74) *Attorney, Agent, or Firm* — Harness, Dickey & Pierce, P.L.C.

(57) **CLAIM**

The ornamental design for a combination lamp cap and lamp holder, as shown and described.

DESCRIPTION

FIG. 1 is a front view of a lamp cap in accordance with this new design;

FIG. 2 is a top view of the lamp cap of FIG. 1;

FIG. 3 is a left side view of the lamp cap of FIG. 1;

FIG. 4 is a right side view of the lamp cap of FIG. 1;

FIG. 5 is a rear view of the lamp cap of FIG. 1;

FIG. 6 is a perspective view of the lamp cap of FIG. 1;

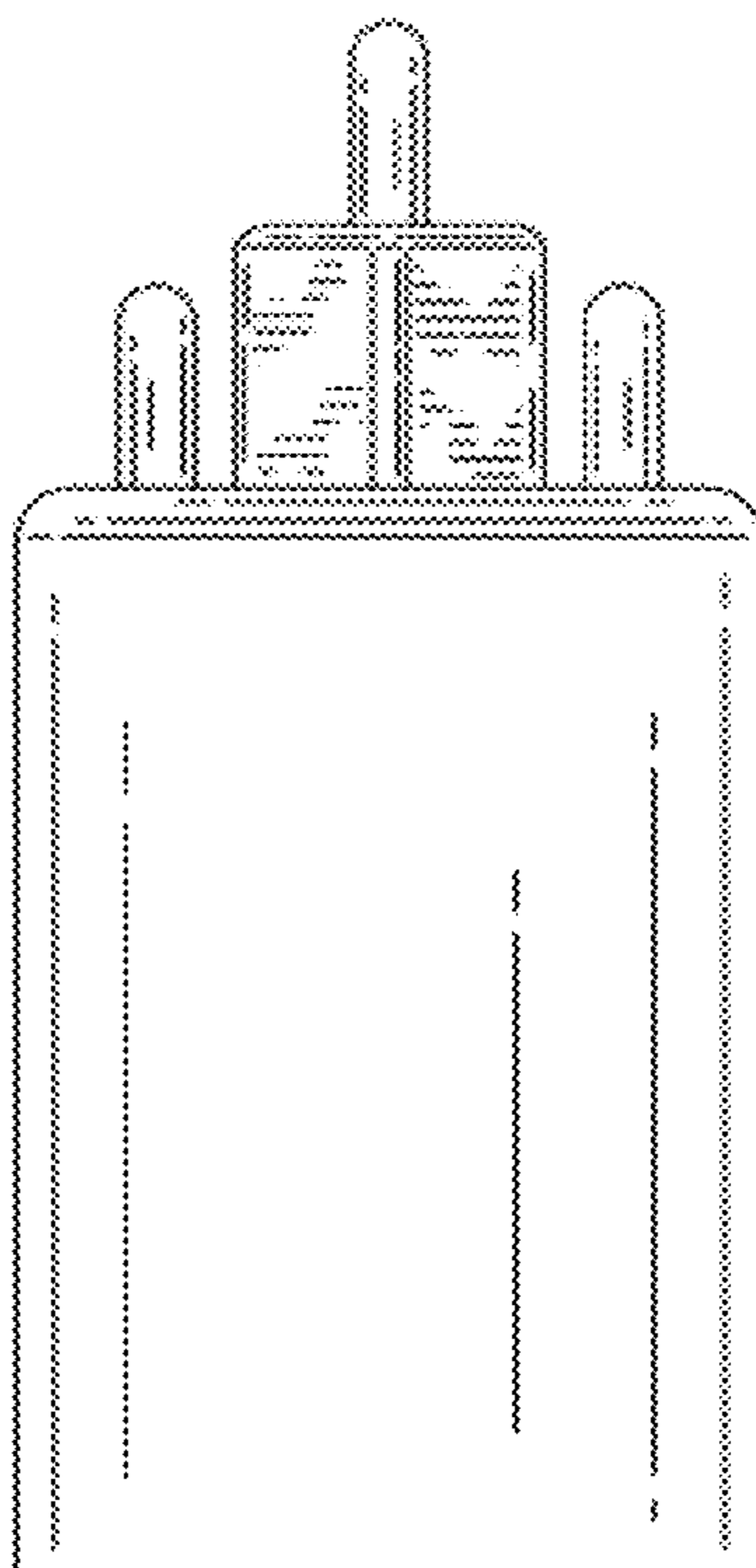
FIG. 7 is a top view of a lamp holder in accordance with this new design, which is cooperated with the lamp cap of FIG. 1;

FIG. 8 is a front view of the lamp holder of FIG. 7;

FIG. 9 is a perspective view of the lamp holder of FIG. 7; and,

FIG. 10 is a perspective view of the lamp cap of FIG. 6 and the lamp holder of FIG. 9 shown together.

1 Claim, 5 Drawing Sheets



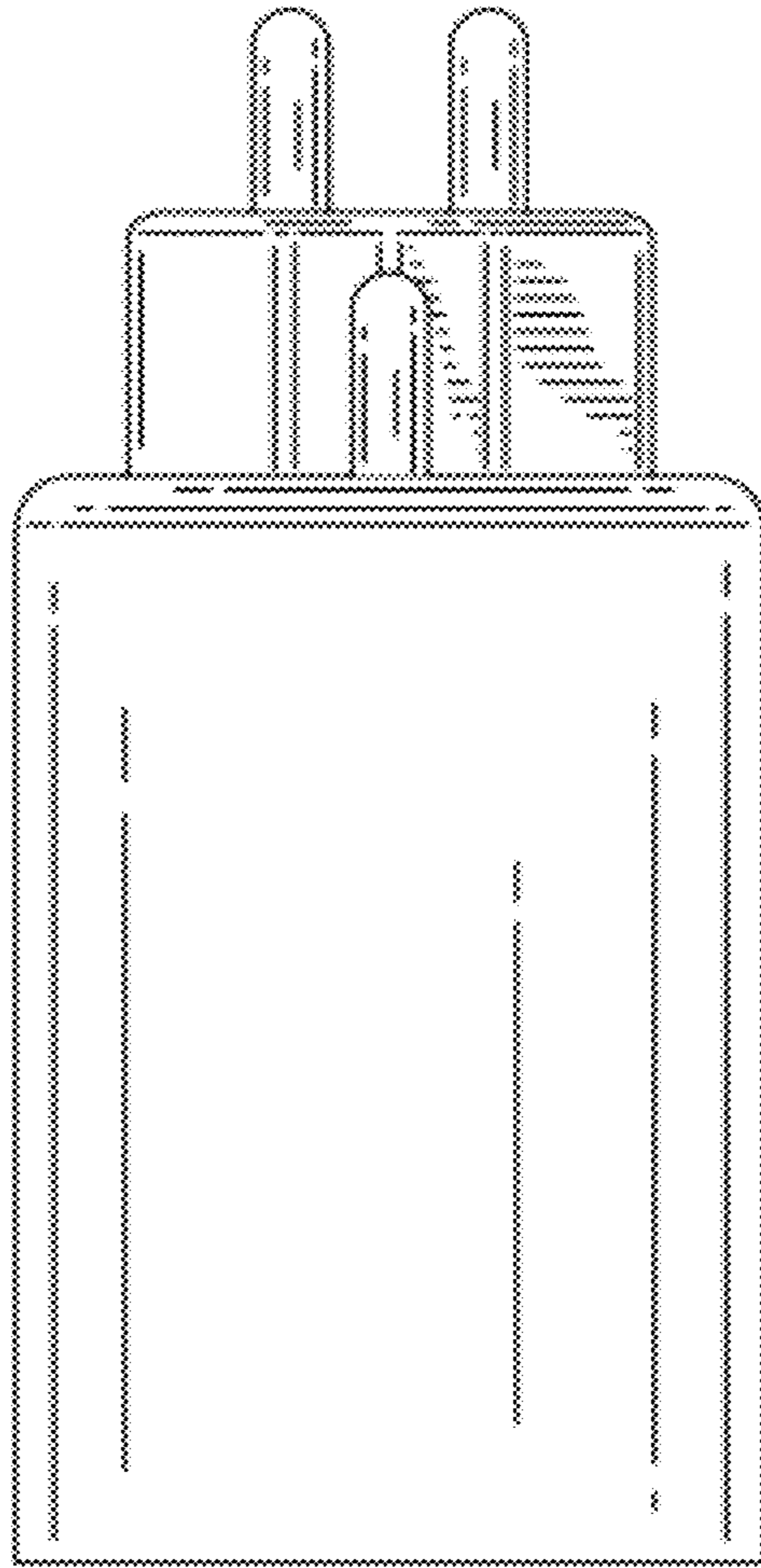


FIG. 1

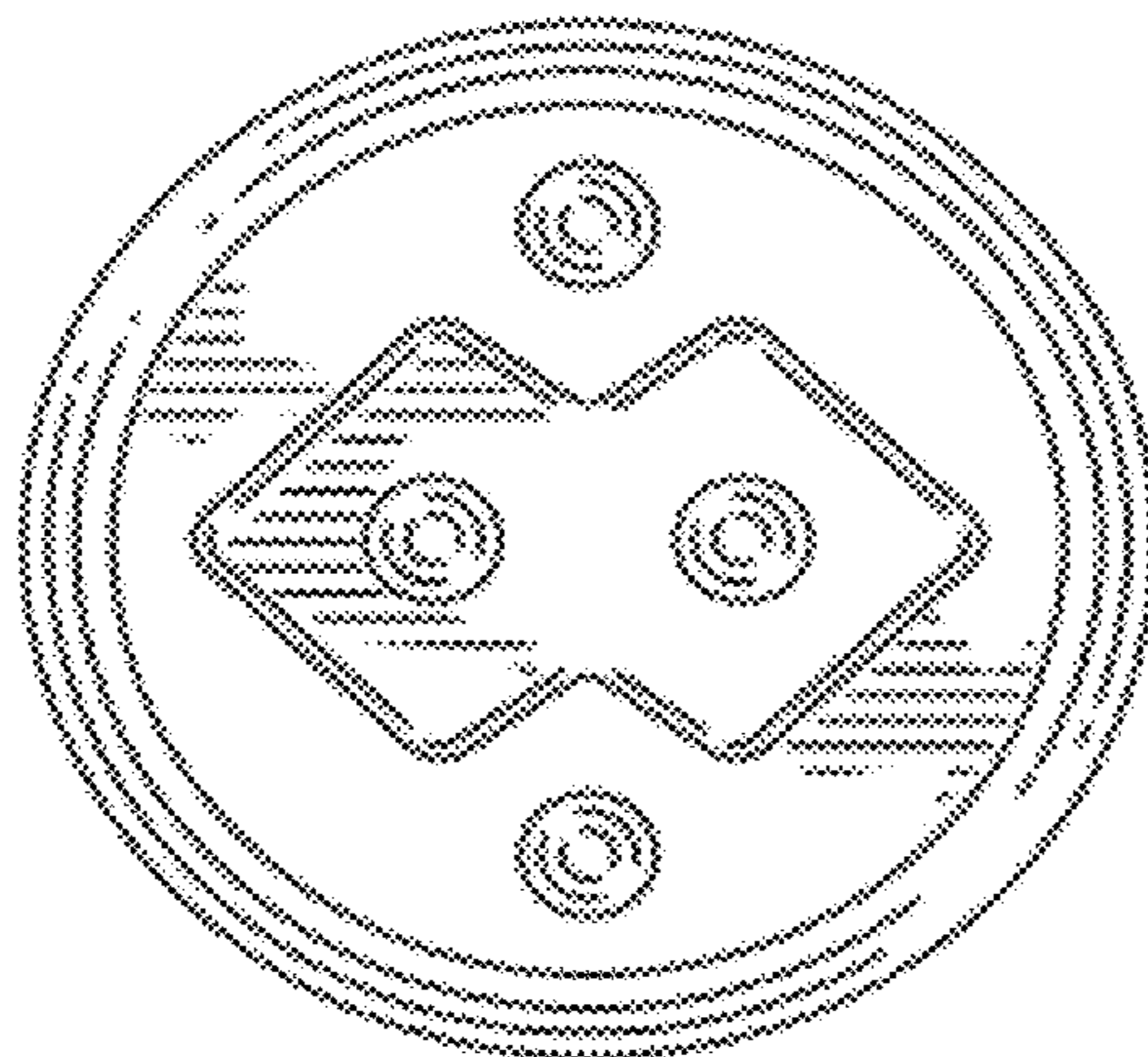


FIG. 2

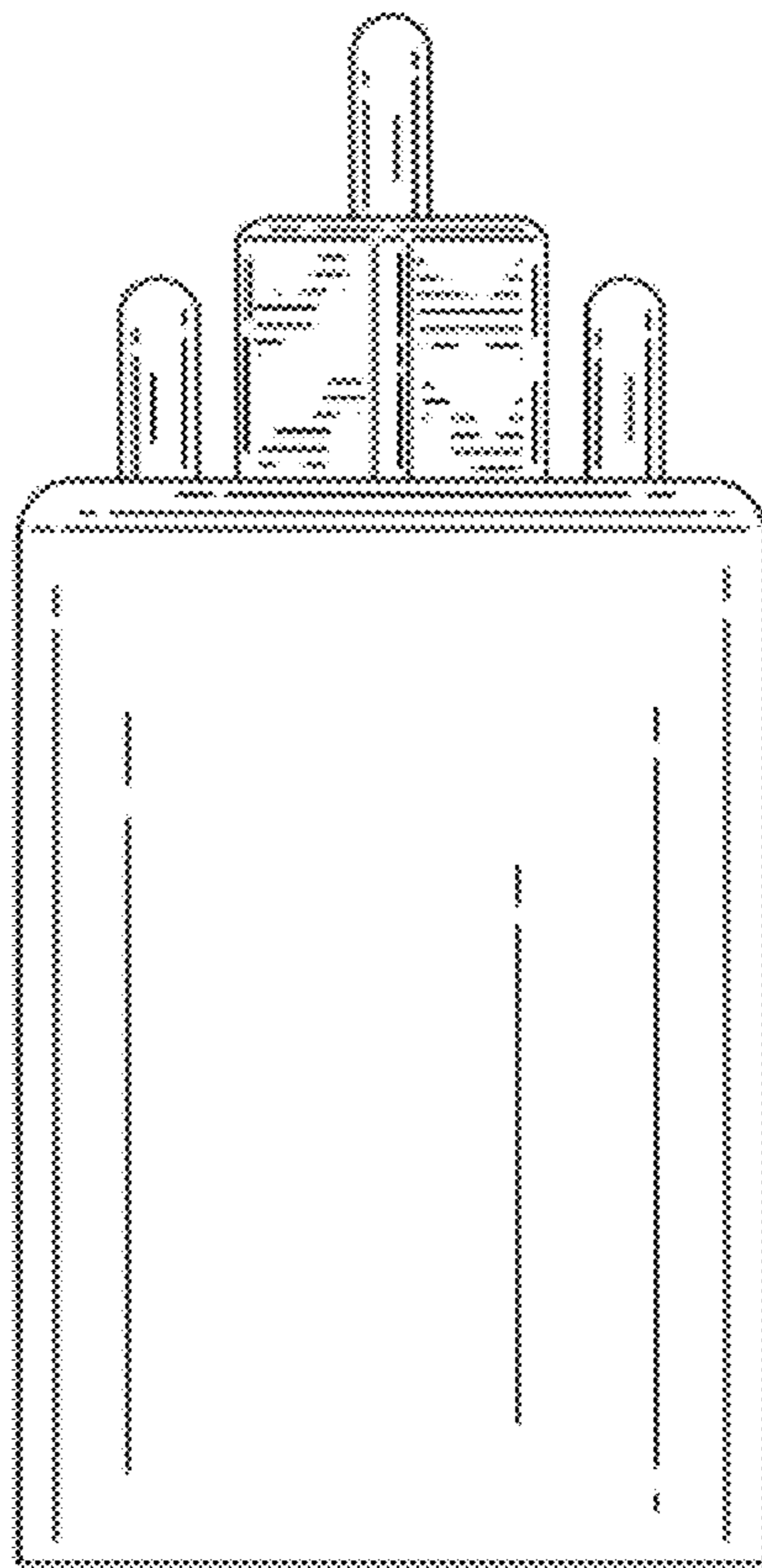


FIG. 3

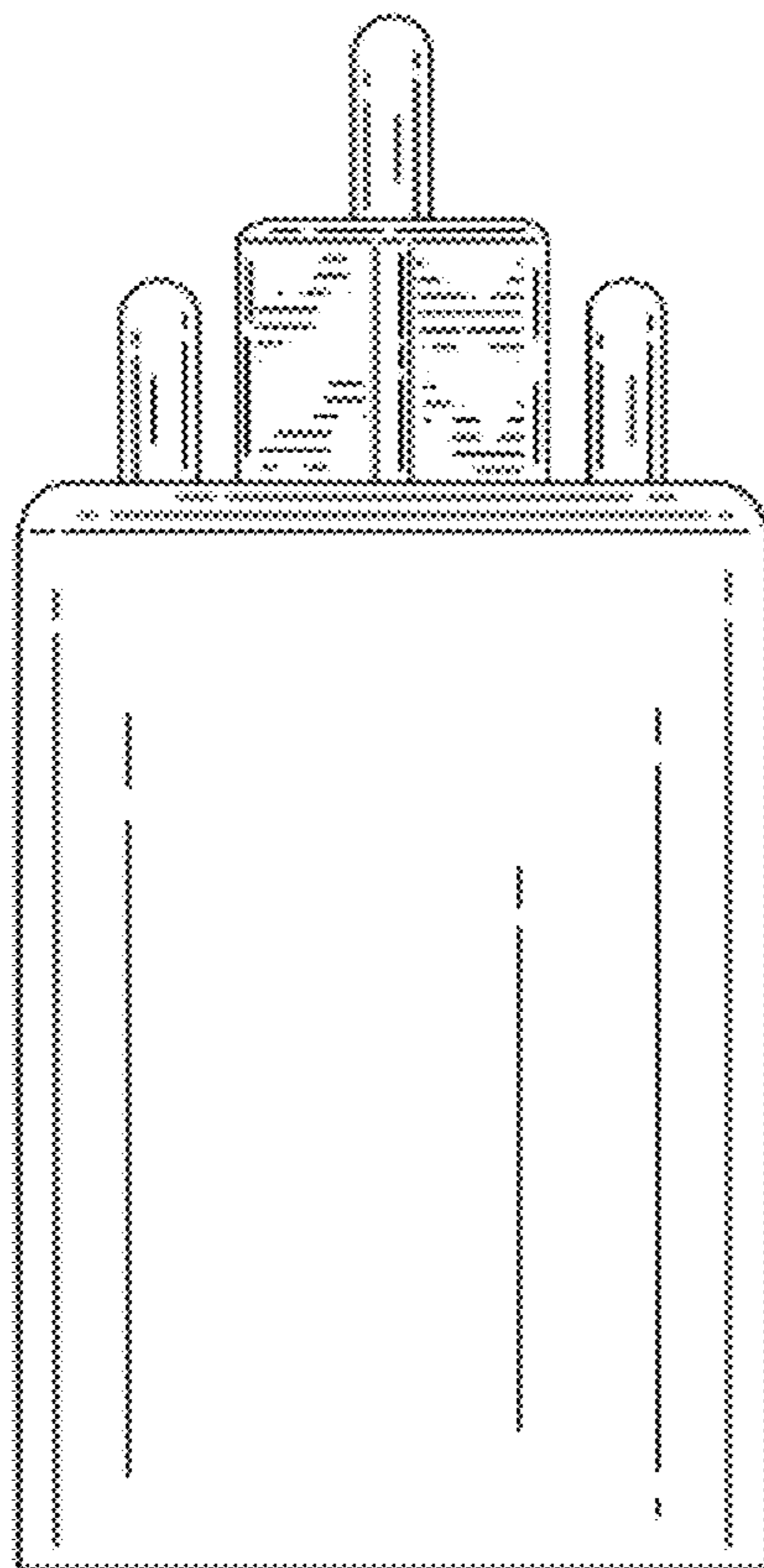


FIG. 4

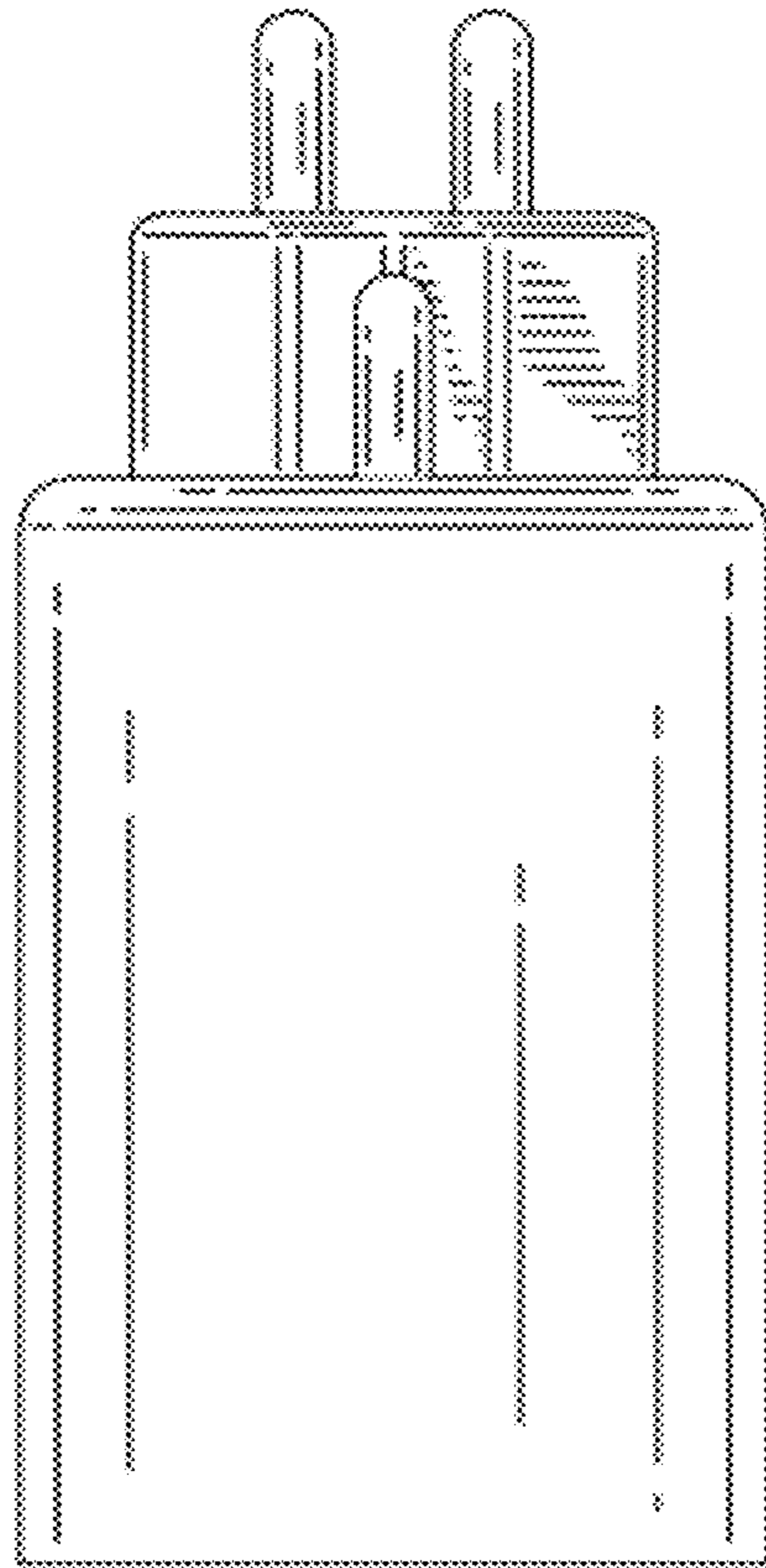


FIG. 5

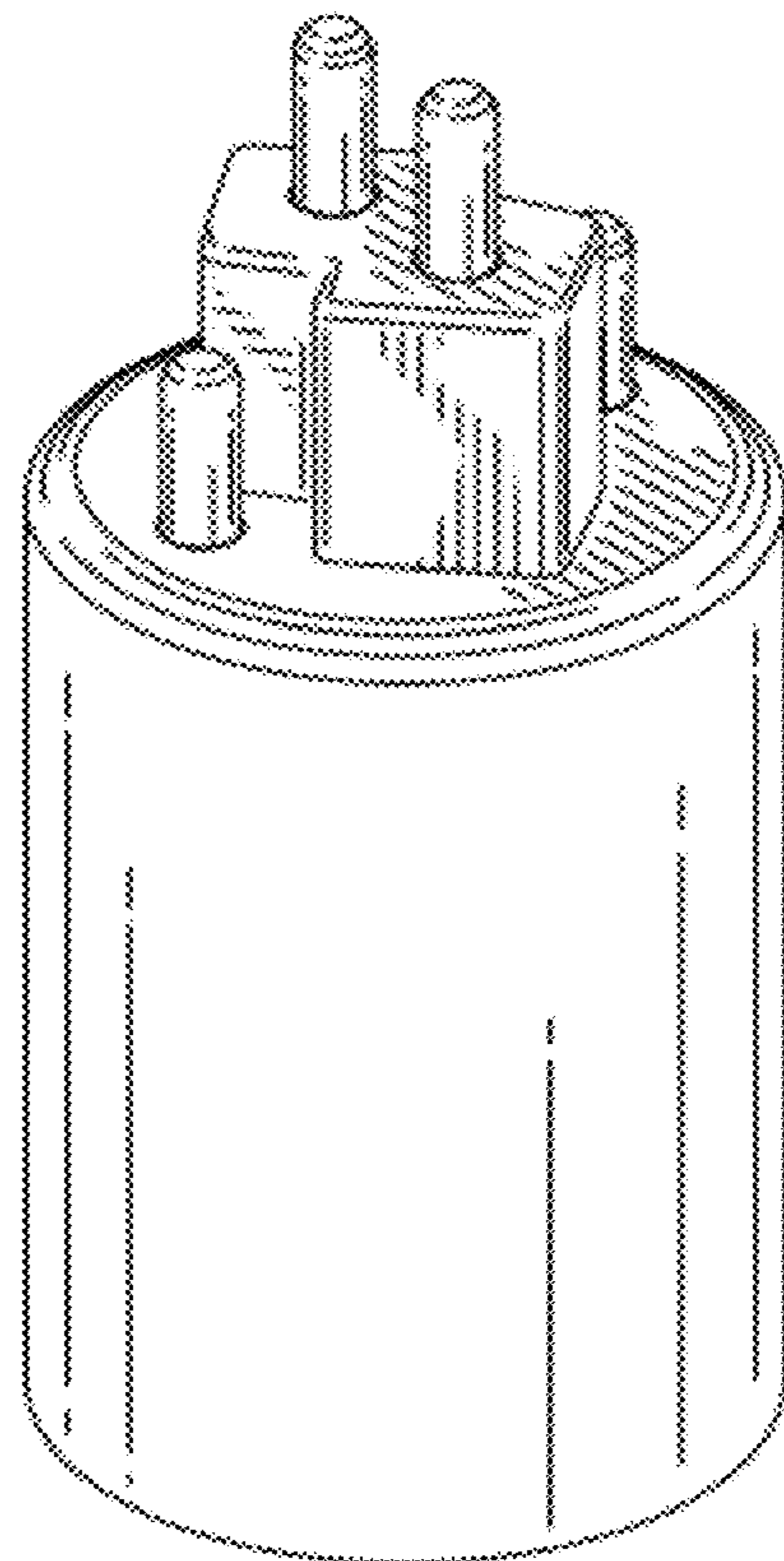


FIG. 6

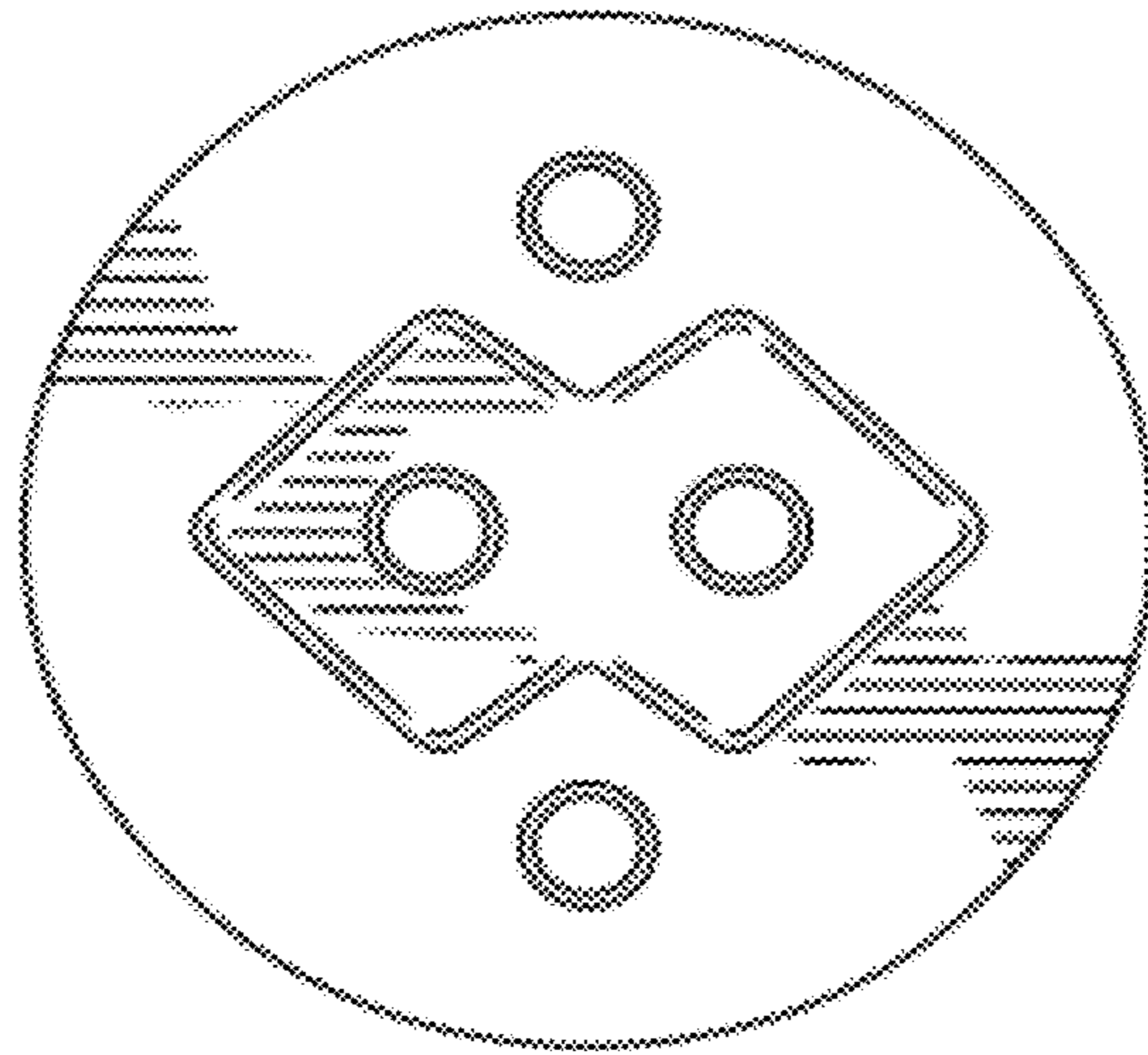


FIG. 7

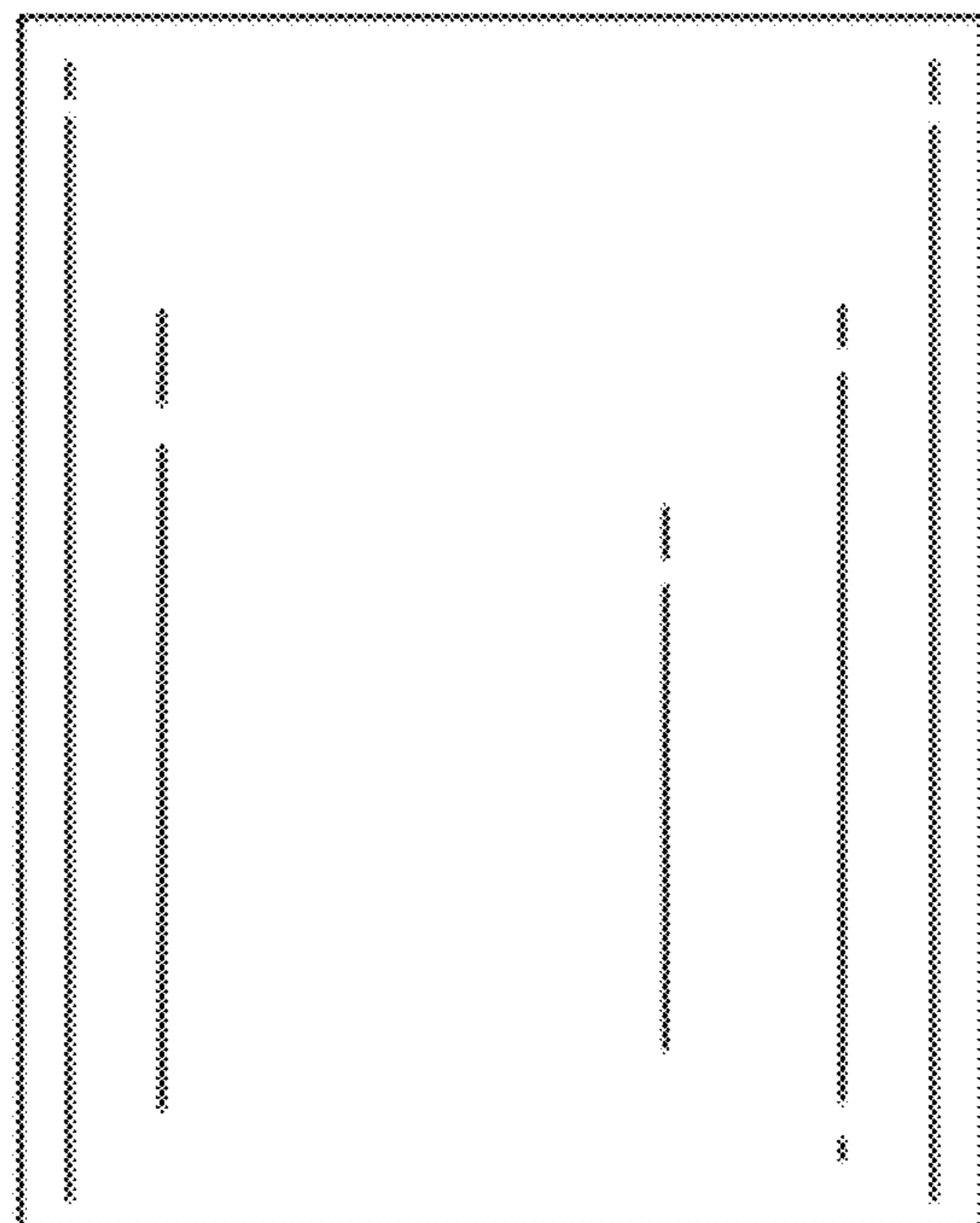


FIG. 8

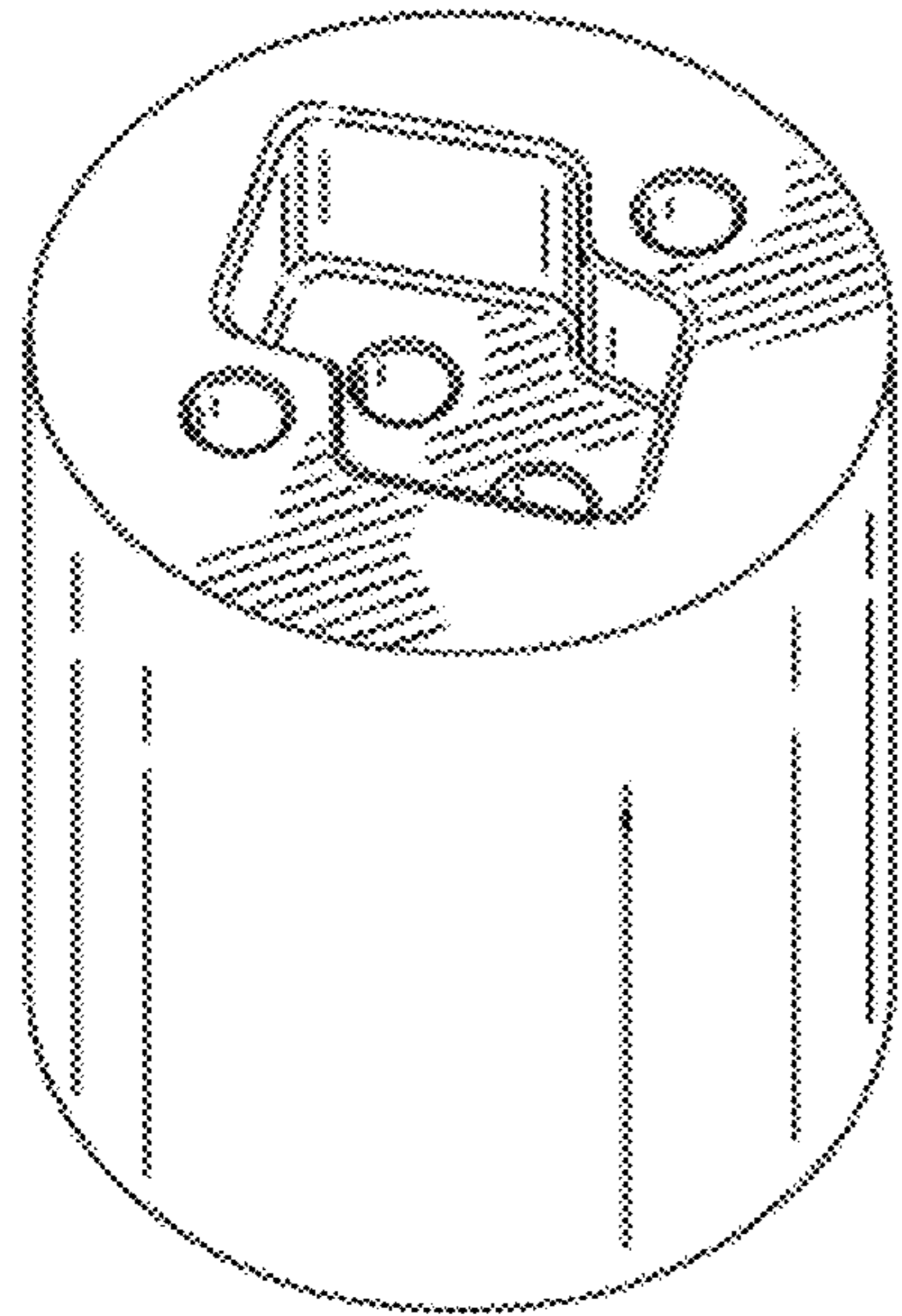


FIG. 9

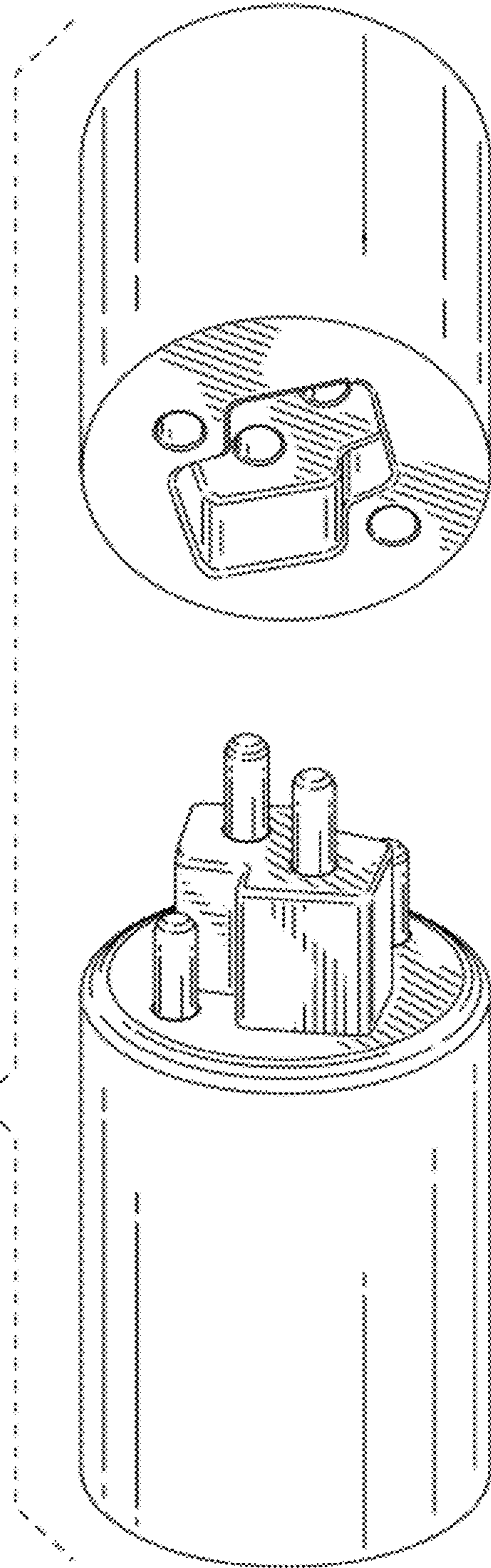


FIG. 10