

US00D667567S

(12) **United States Design Patent**
Luburic et al.

(10) **Patent No.:** **US D667,567 S**

(45) **Date of Patent:** **** Sep. 18, 2012**

(54) **APPARATUS AND METHODS FOR
INTERCONNECTING TUBULAR SECTIONS**

(75) Inventors: **Frano Luburic**, Fountain Valley, CA
(US); **David W. MacDonald**, Fountain
Valley, CA (US)

(73) Assignee: **Ropak Corporation**, Fountain Valley,
CA (US)

(**) Term: **14 Years**

(21) Appl. No.: **29/420,103**

(22) Filed: **May 4, 2012**

Related U.S. Application Data

(63) Continuation of application No. 12/679,311, filed as
application No. PCT/US2007/079243 on Sep. 21,
2007.

(51) **LOC (9) Cl.** **25-01**

(52) **U.S. Cl.** **D25/133**

(58) **Field of Classification Search** D25/133;
405/231, 244, 252.1; 52/297; 14/75

See application file for complete search history.

(56) **References Cited**

U.S. PATENT DOCUMENTS

D297,370	S	*	8/1988	Foster, Jr.	D25/133
6,449,791	B1	*	9/2002	Vodicka	14/75
6,663,322	B1	*	12/2003	Listle	405/239
7,241,079	B2	*	7/2007	Francis	405/231

* cited by examiner

Primary Examiner — Doris Clark

(74) *Attorney, Agent, or Firm* — Vedder Price P.C.

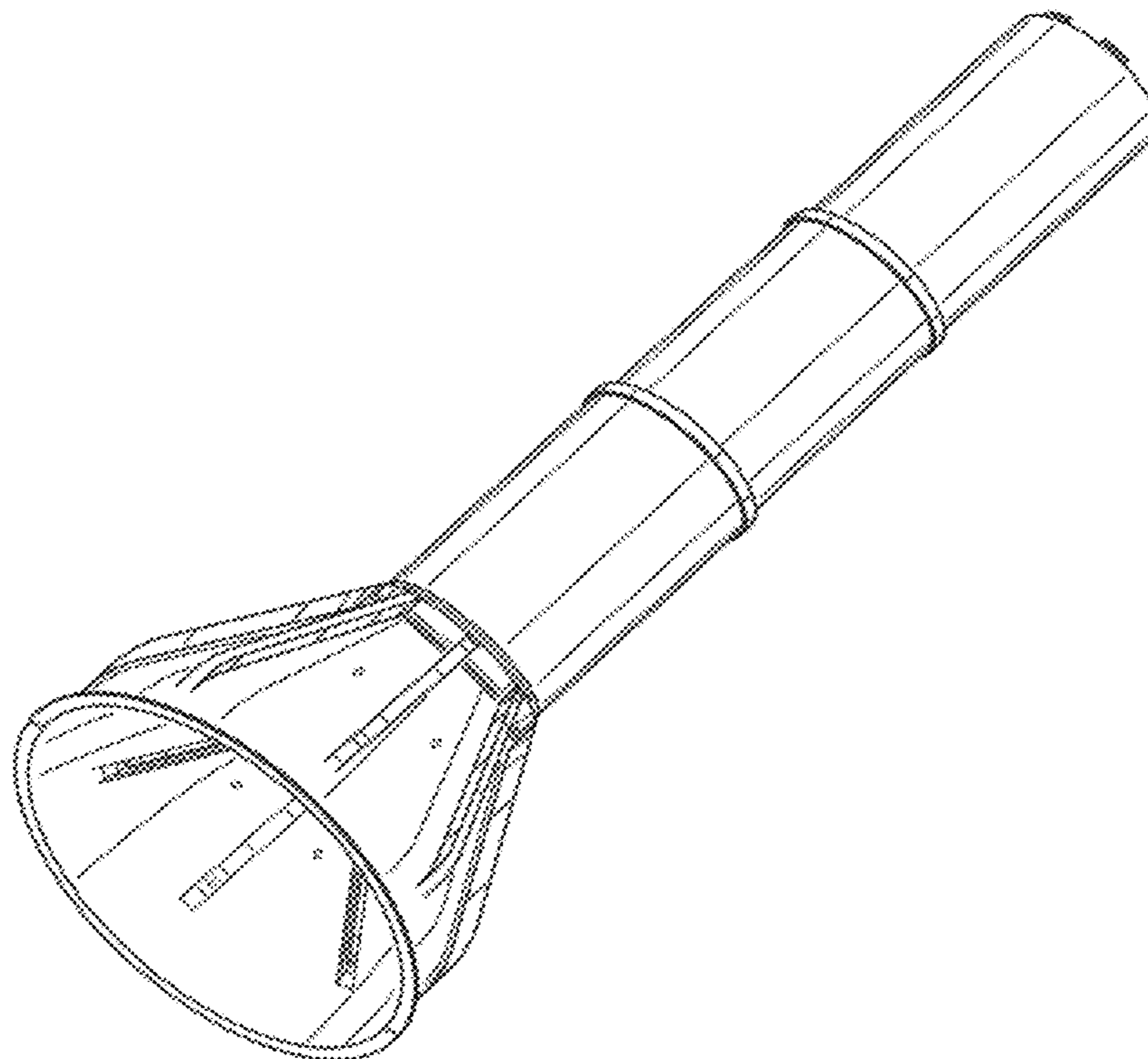
(57) **CLAIM**

We claim the ornamental design for a concrete pier footing, as
shown and described.

DESCRIPTION

FIG. 1 is a perspective view of a concrete pier footing.
 FIG. 2 is a top view of the concrete pier footing of FIG. 1.
 FIG. 3 is a bottom view of the concrete pier footing of FIG. 1.
 FIG. 4 is a left view of the concrete pier footing of FIG. 1.
 FIG. 5 is a right view of the concrete pier footing of FIG. 1.
 FIG. 6 is a bottom perspective view of the concrete pier
 footing of FIG. 1.
 FIG. 7 is a perspective view of the concrete pier footing of
 FIG. 1 in a collapsed configuration.
 FIG. 8 is a bottom perspective view of the concrete pier
 footing of FIG. 7.
 FIG. 9 is a perspective view of a second embodiment of the
 concrete pier footing of FIG. 1; and,
 FIG. 10 is a perspective view of a third embodiment of the
 concrete pier footing of FIG. 1.

1 Claim, 9 Drawing Sheets



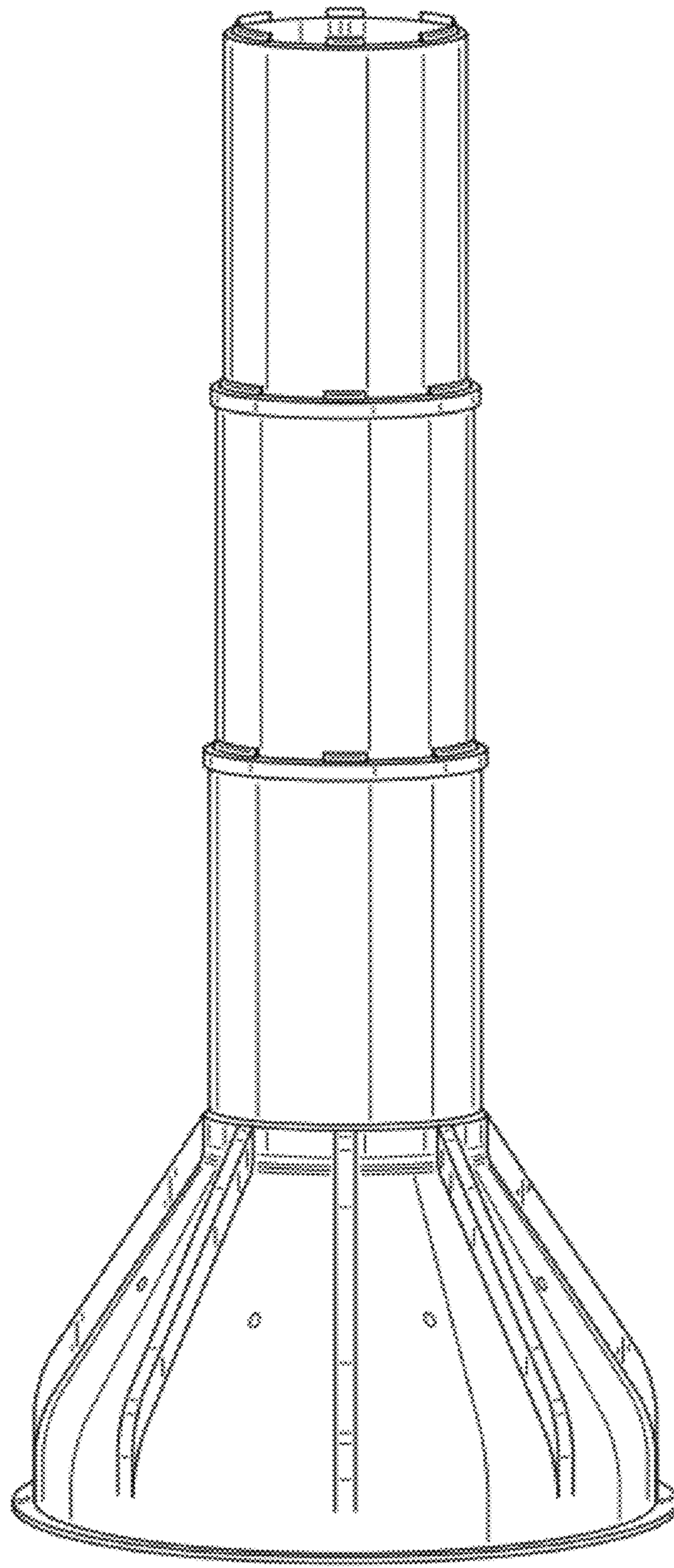


FIG. 1

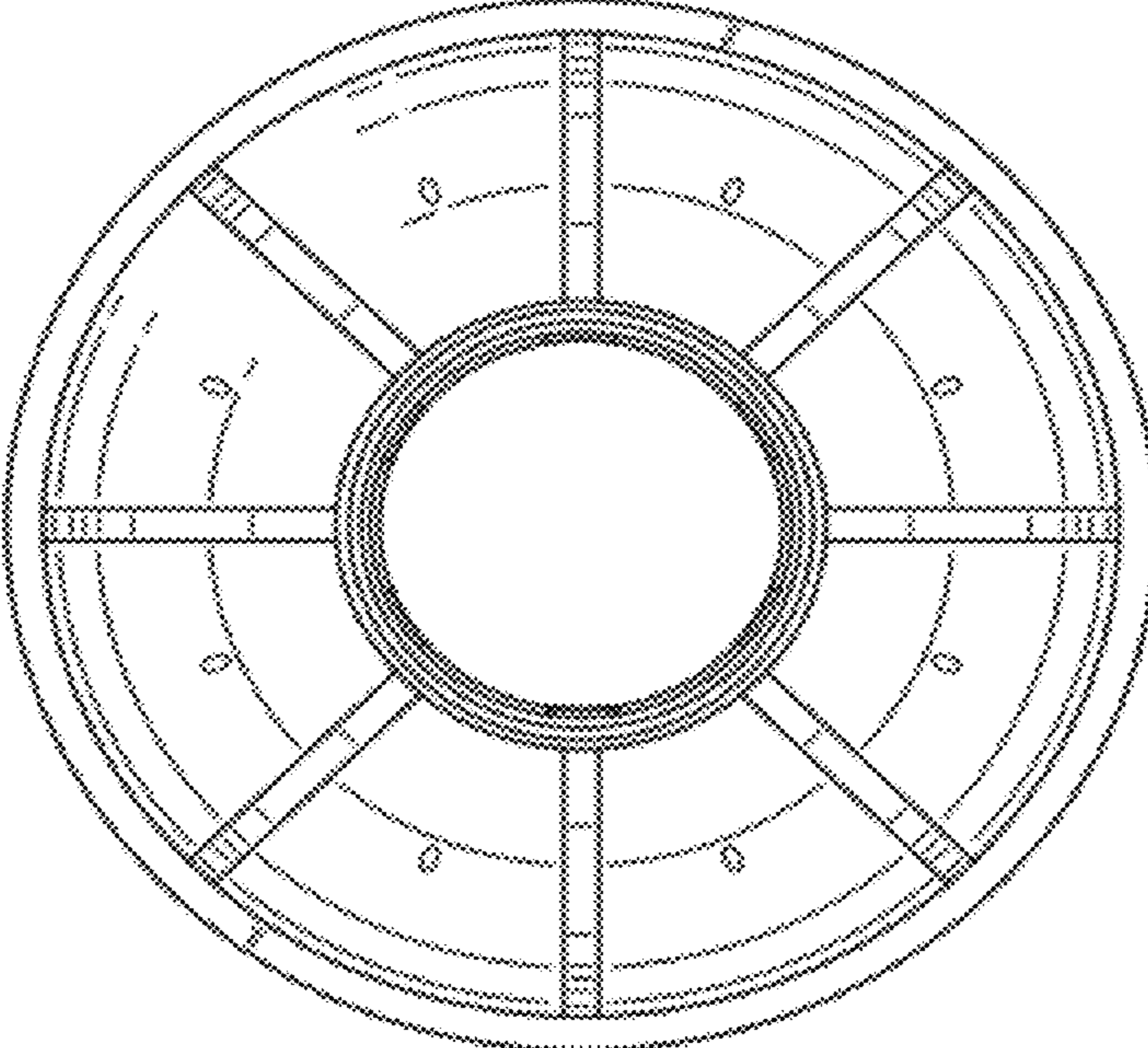


FIG. 2

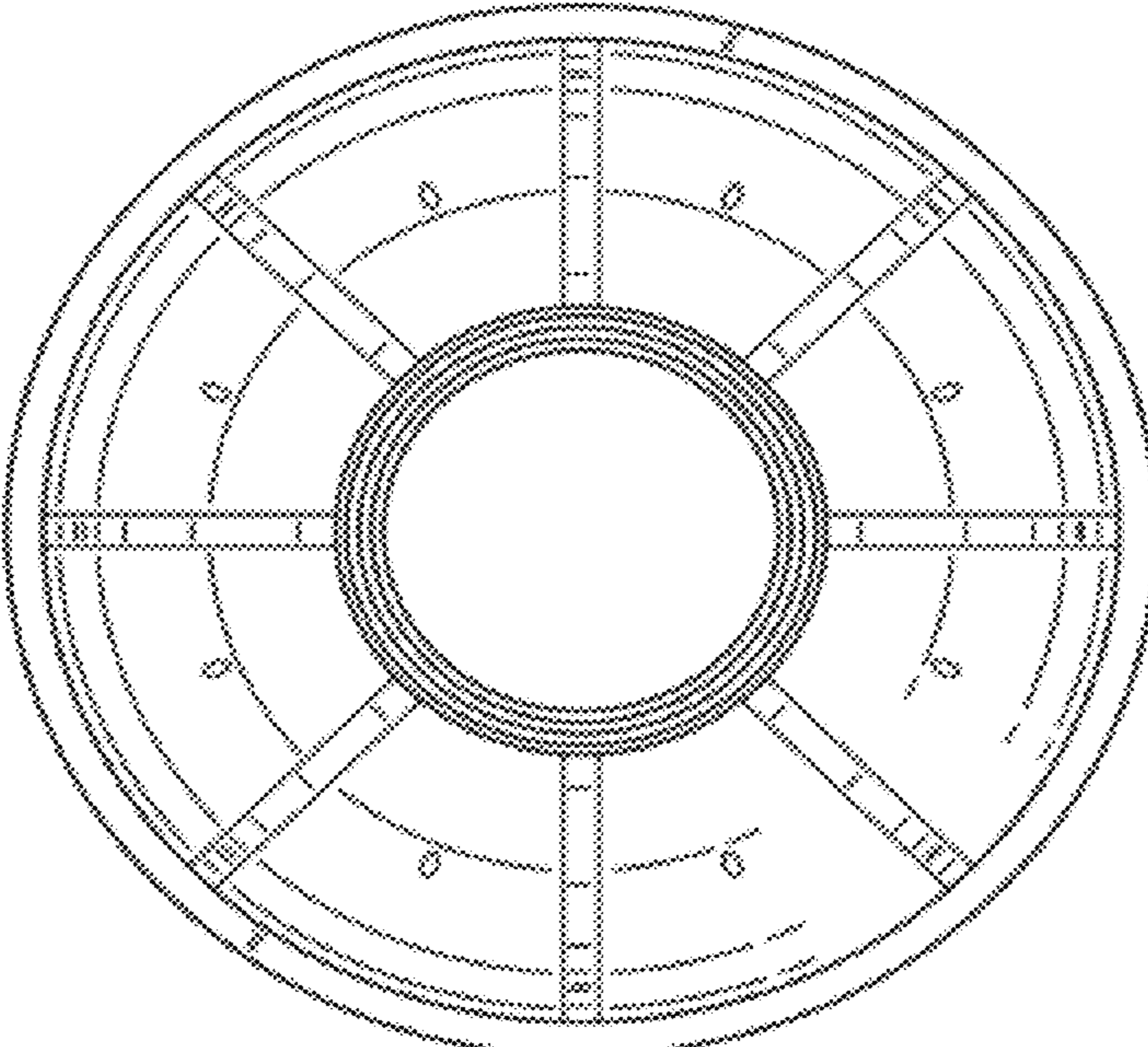


FIG. 3

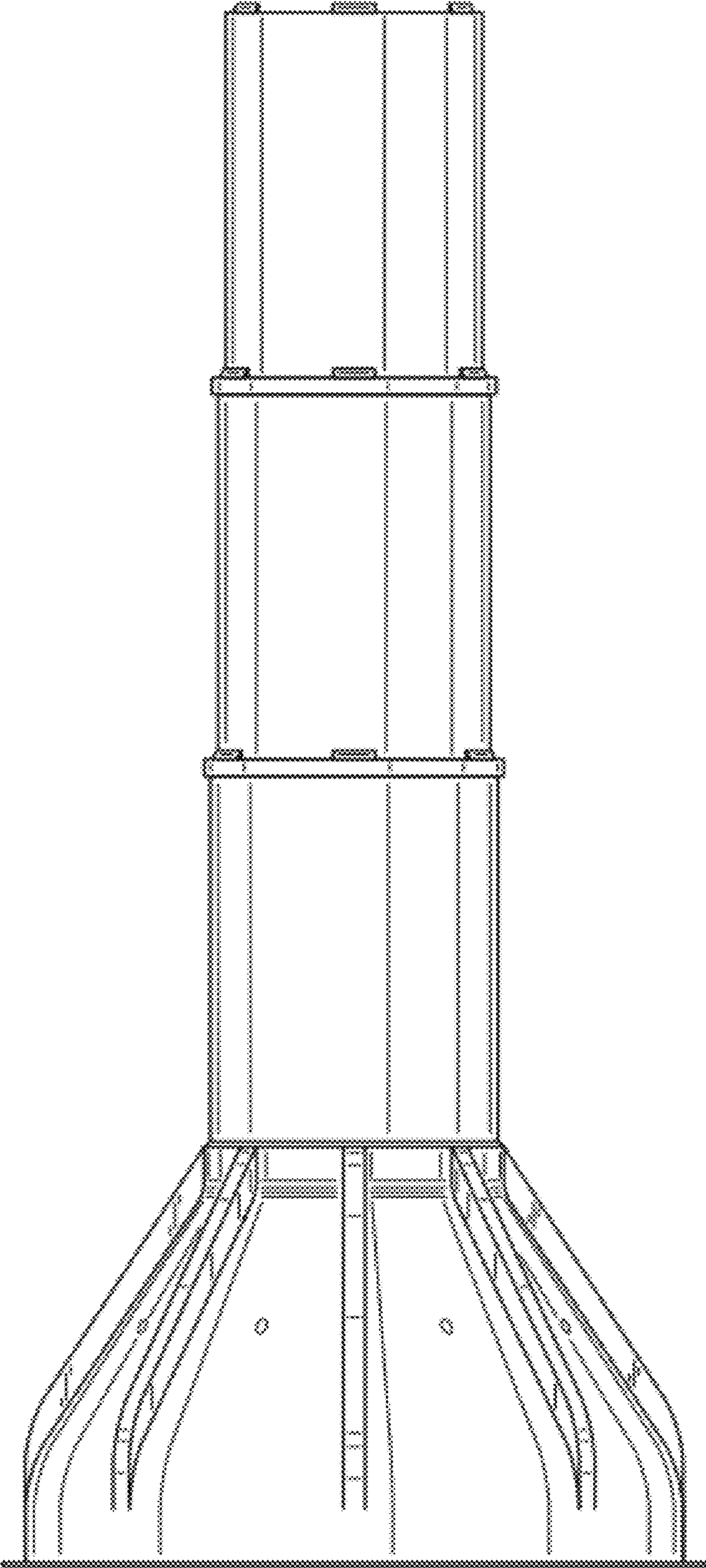


FIG. 4

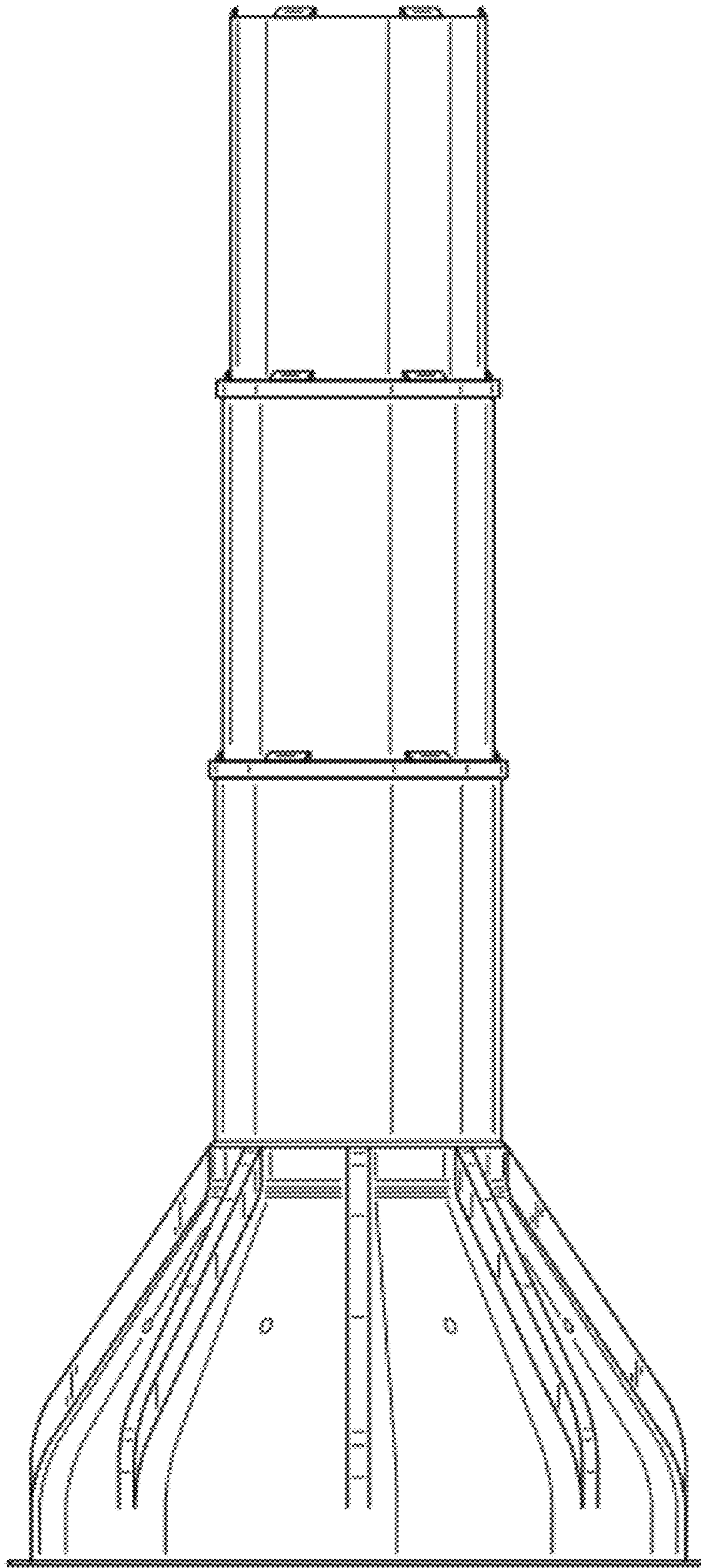


FIG. 5

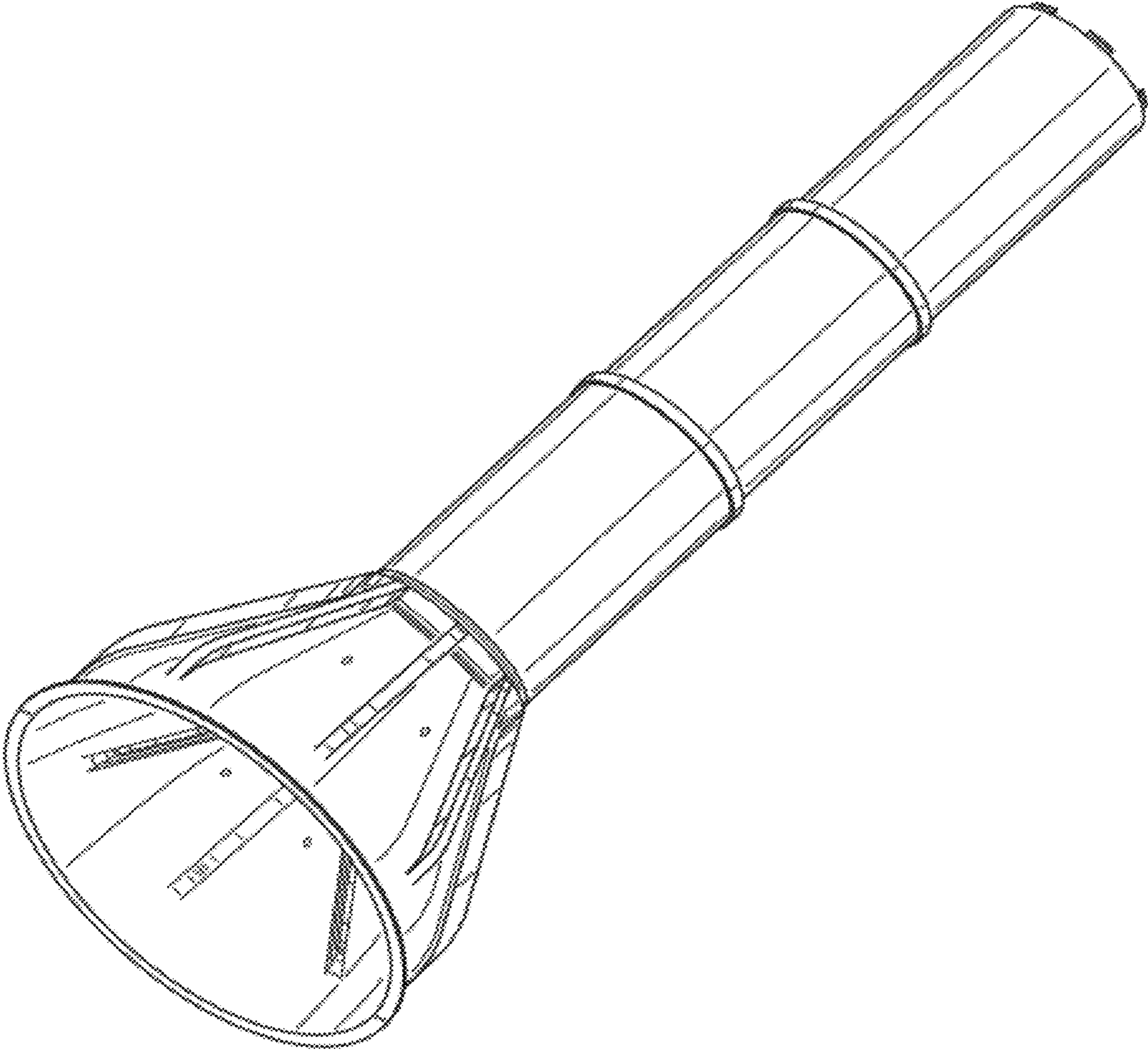


FIG. 6

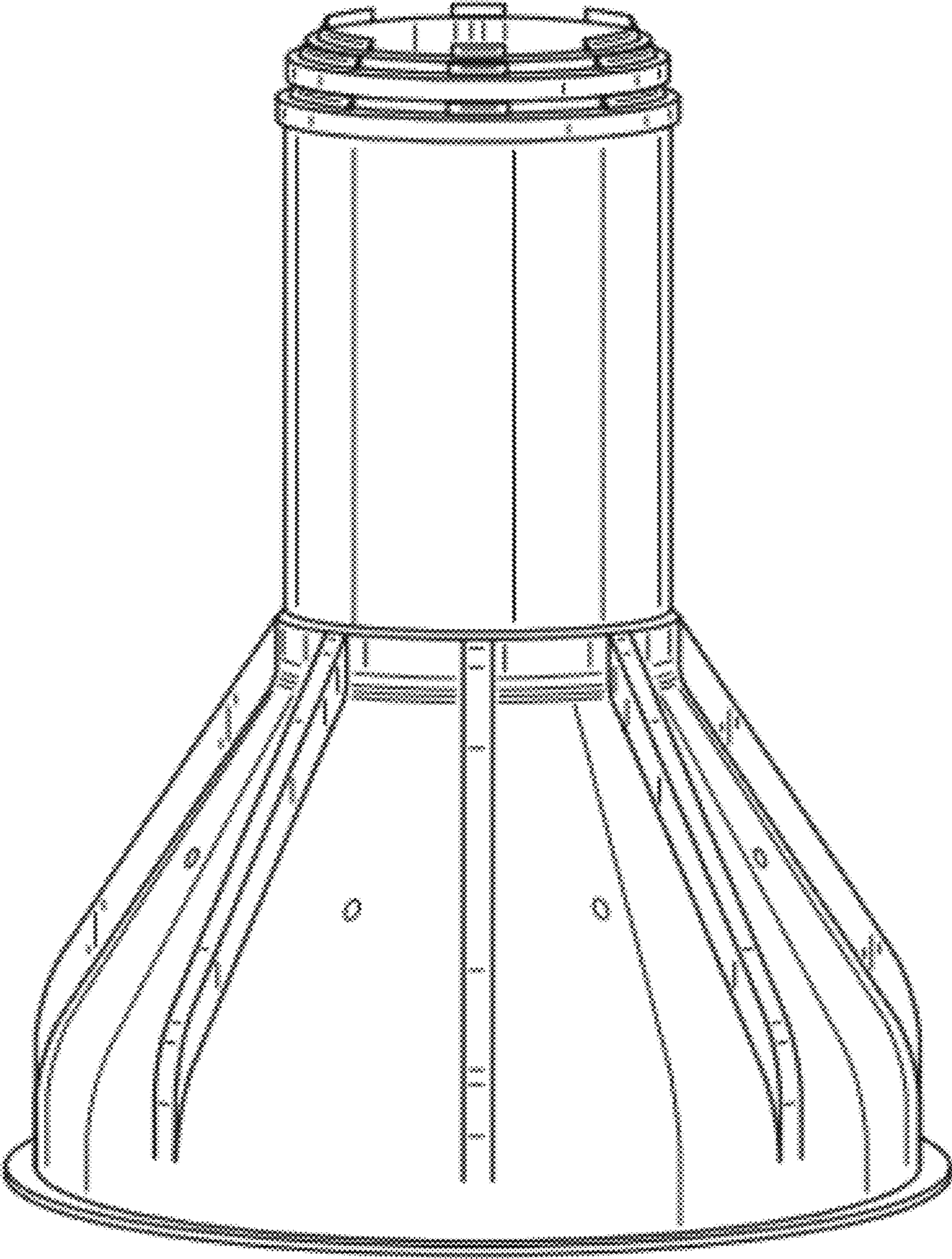


FIG. 7

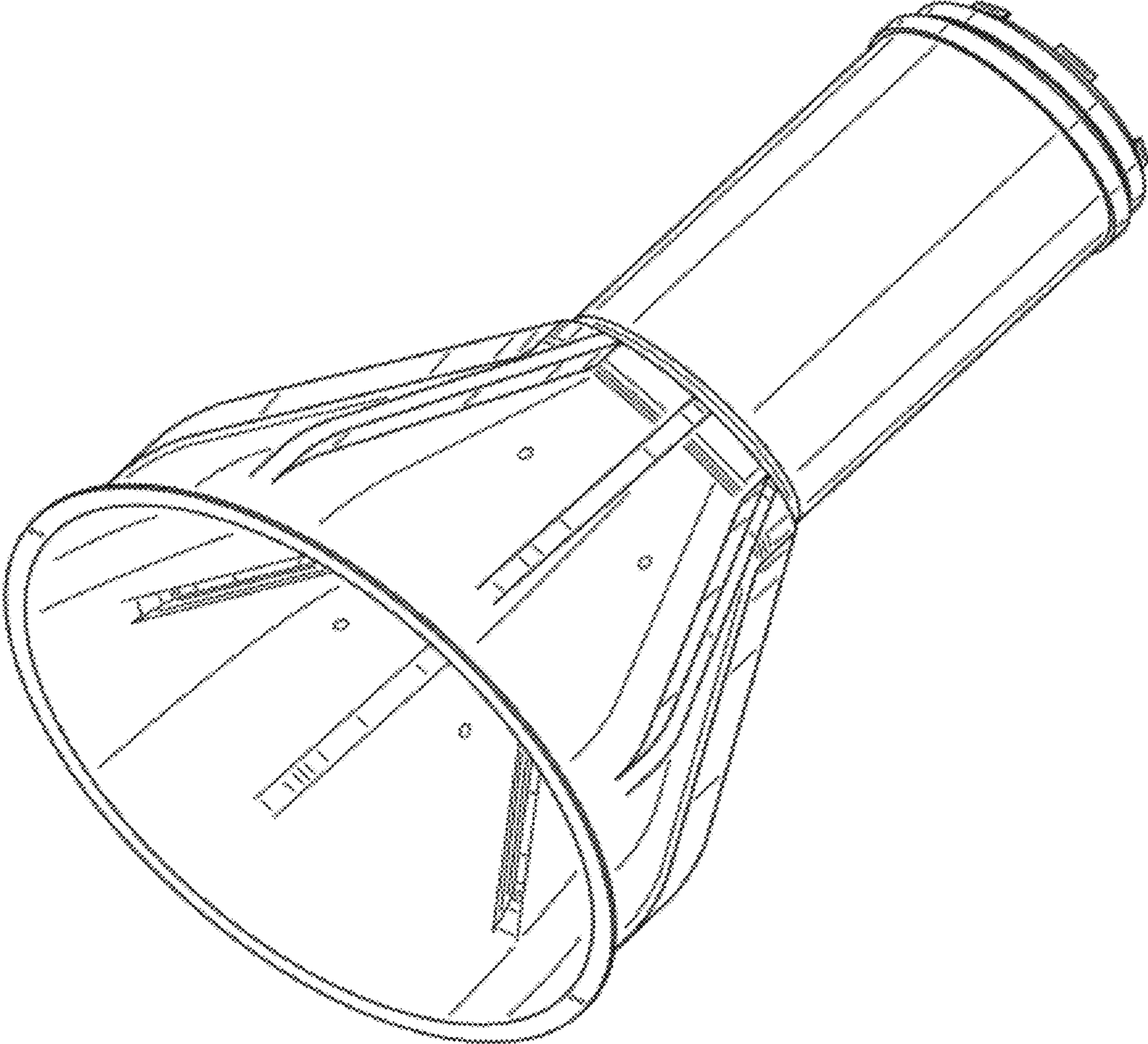


FIG. 8

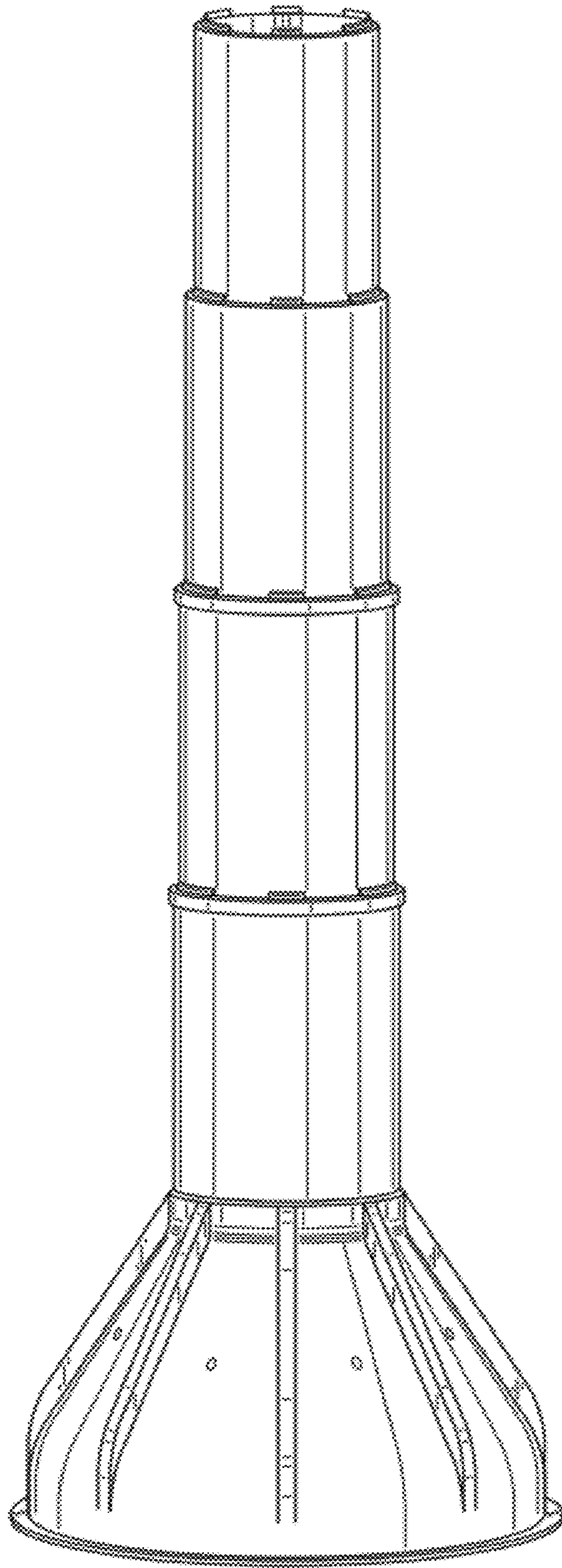


FIG. 9

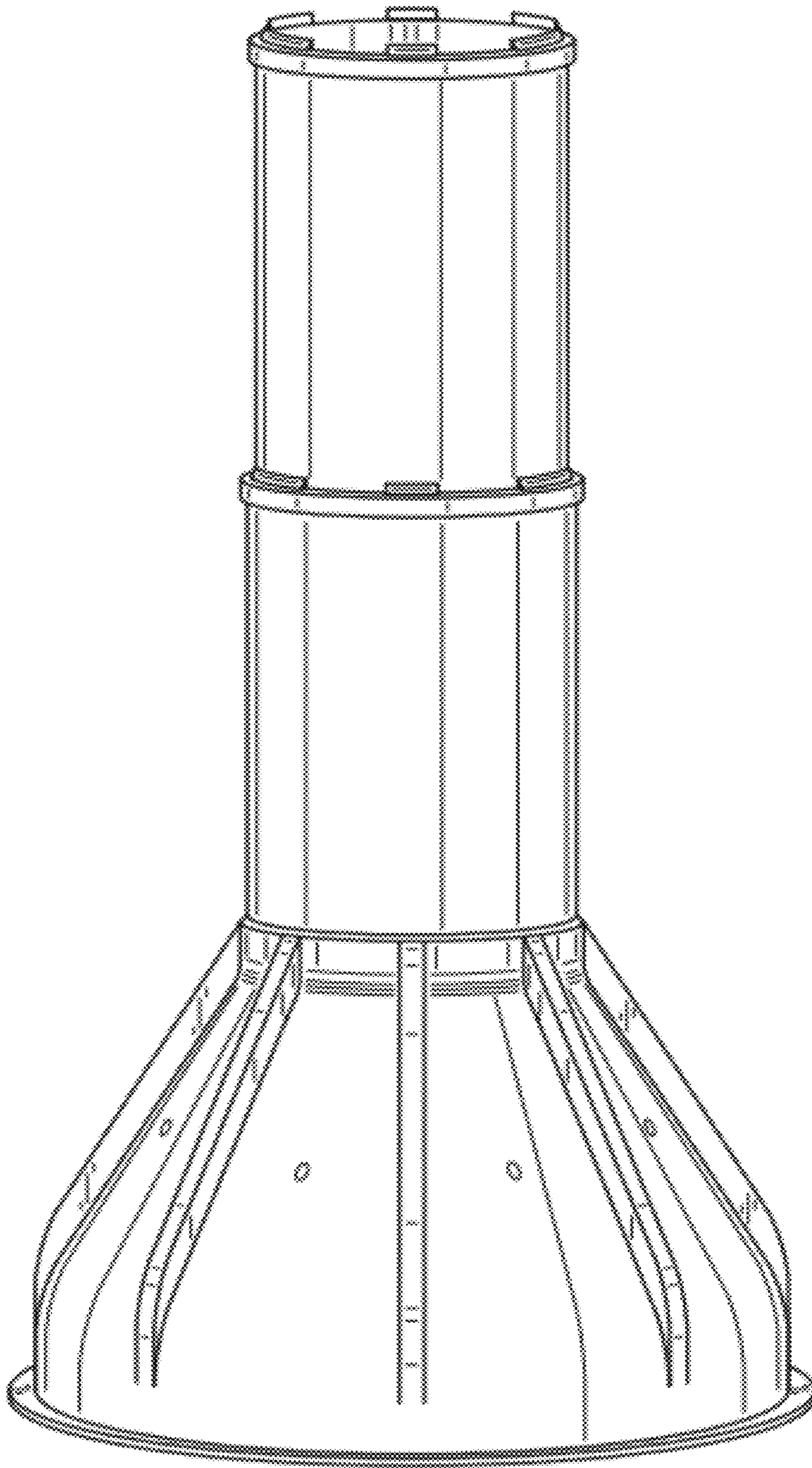


FIG. 10