



US00D667566S

(12) **United States Design Patent**  
**MacDonald et al.**

(10) **Patent No.:** **US D667,566 S**

(45) **Date of Patent:** **\*\* Sep. 18, 2012**

(54) **LANDSCAPING BLOCK**

(75) Inventors: **Robert A. MacDonald**, Plymouth, MN (US); **David Wei Lee**, Chu Pei (TW)

(73) Assignee: **Keystone Retaining Wall Systems LLC**, West Chester, OH (US)

(\*\*) Term: **14 Years**

(21) Appl. No.: **29/396,306**

(22) Filed: **Jun. 28, 2011**

(51) **LOC (9) Cl.** ..... **25-01**

(52) **U.S. Cl.** ..... **D25/113**

(58) **Field of Classification Search** ..... D25/102–118, D25/136, 138, 140, 151, 152, 153, 156–162, D25/164; D21/484–491, 499–504; 405/16, 405/284, 286; 52/503–505, 574, 575, 596–612; 404/27–42

See application file for complete search history.

(56) **References Cited**

**U.S. PATENT DOCUMENTS**

D296,007 S	5/1988	Forsberg	
D298,463 S	11/1988	Forsberg	
4,802,320 A	2/1989	Forsberg	
D300,254 S	3/1989	Forsberg	
4,825,619 A	5/1989	Forsberg	
4,914,876 A	4/1990	Forsberg	
4,920,712 A	5/1990	Dean, Jr.	
5,044,834 A	9/1991	Janopaul, Jr.	
5,252,017 A	10/1993	Hodel	
5,257,880 A	11/1993	Janopaul, Jr.	
D343,461 S	1/1994	Powell	
5,337,527 A	8/1994	Wagenaar	
5,402,609 A *	4/1995	Kelley, Jr.	52/98
5,490,363 A	2/1996	Woolford	
5,505,034 A	4/1996	Dueck	
5,568,994 A	10/1996	Dawson	
5,601,384 A	2/1997	Dawson	
D380,560 S	7/1997	Forsberg	
D381,086 S	7/1997	Forsberg	
D384,168 S	9/1997	Stevenson	
5,688,078 A	11/1997	Hammer	
D387,434 S	12/1997	Dawson	

5,704,183 A	1/1998	Woolford	
D397,230 S	8/1998	Forsberg	
D397,451 S	8/1998	Stevenson	
5,795,105 A	8/1998	Guth	
D397,808 S	9/1998	Dawson	
5,820,304 A *	10/1998	Sorheim et al.	405/286
D404,146 S *	1/1999	Perkins	D25/113
D405,543 S	2/1999	Shillingburg	
5,865,006 A	2/1999	Dawson	
5,913,790 A	6/1999	Dawson	

(Continued)

*Primary Examiner* — Anhdao Doan

(74) *Attorney, Agent, or Firm* — Popovich, Wiles & O'Connell, P.A.

(57) **CLAIM**

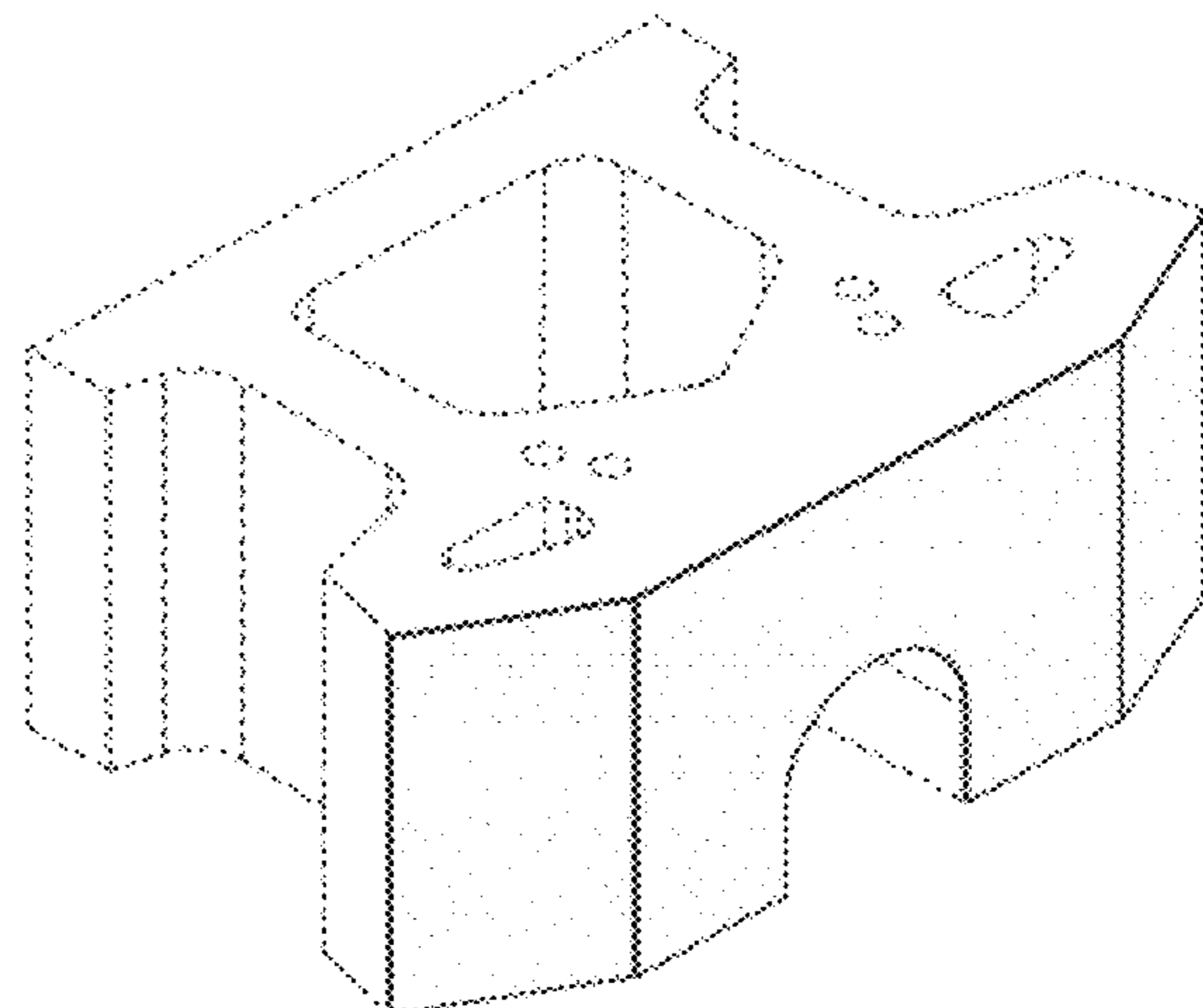
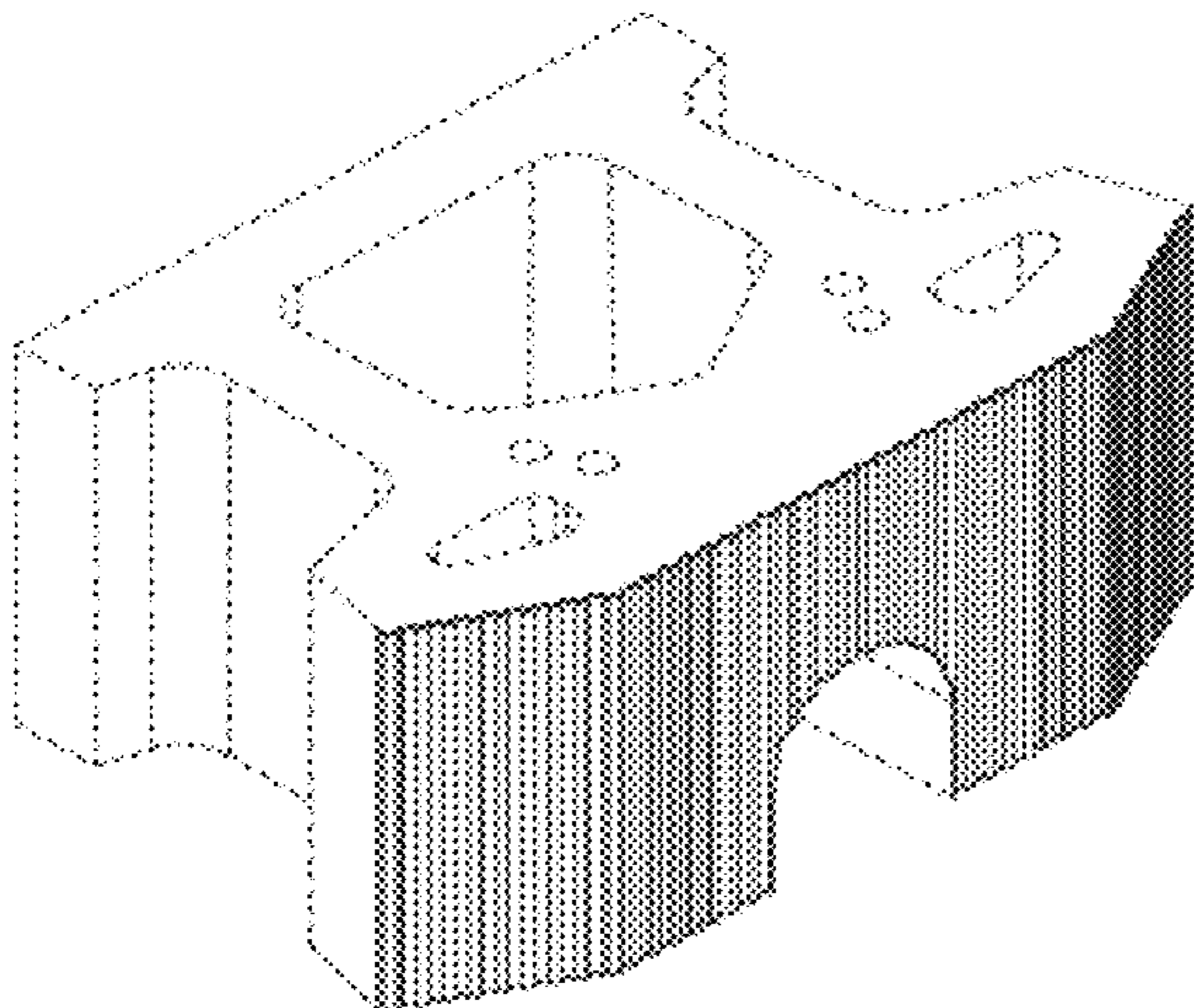
The ornamental design for a landscaping block, as shown and described.

**DESCRIPTION**

FIG. 1 is a front and top perspective view of a first embodiment of a landscaping block according to our new design; FIG. 2 is a front and bottom perspective view thereof; FIG. 3 is a top plan view thereof; FIG. 4 is a bottom plan view thereof; FIG. 5 is a front elevational view thereof; FIG. 6 is a rear elevational view thereof; FIG. 7 is a right side elevational view thereof; FIG. 8 is a left side elevational view thereof; FIG. 9 is a front and top perspective view of a second embodiment of a landscaping block according to our new design; FIG. 10 is a front and bottom perspective view thereof; FIG. 11 is a top plan view thereof; FIG. 12 is a bottom plan view thereof; FIG. 13 is a front elevational view thereof; FIG. 14 is a rear elevational view thereof; FIG. 15 is a right side elevational view thereof; and, FIG. 16 is a left side elevational view thereof.

The broken lines in the drawing views are included for the purpose of illustrating a portions of the landscaping block that form no part of the claimed design.

**1 Claim, 8 Drawing Sheets**



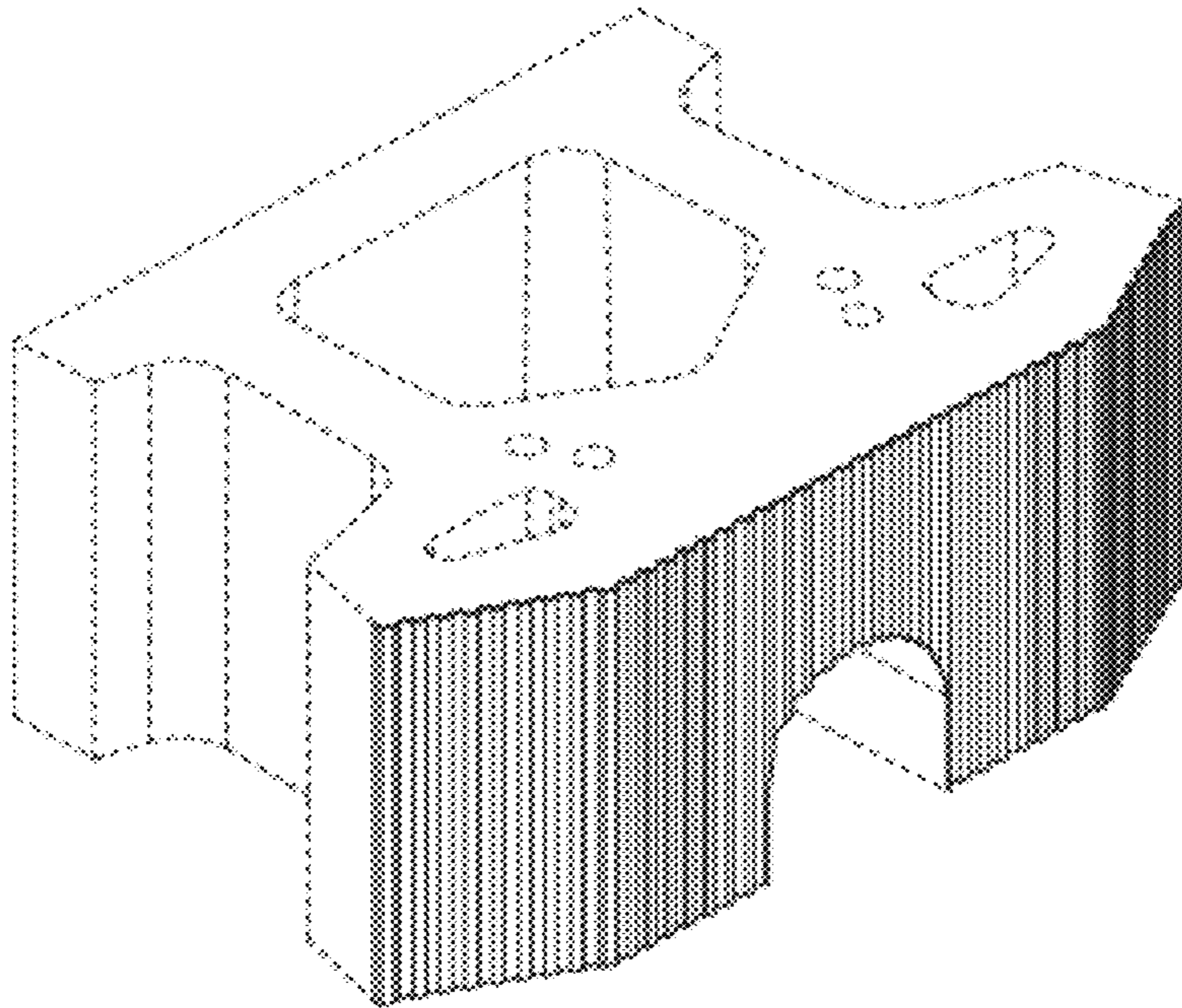
# US D667,566 S

Page 2

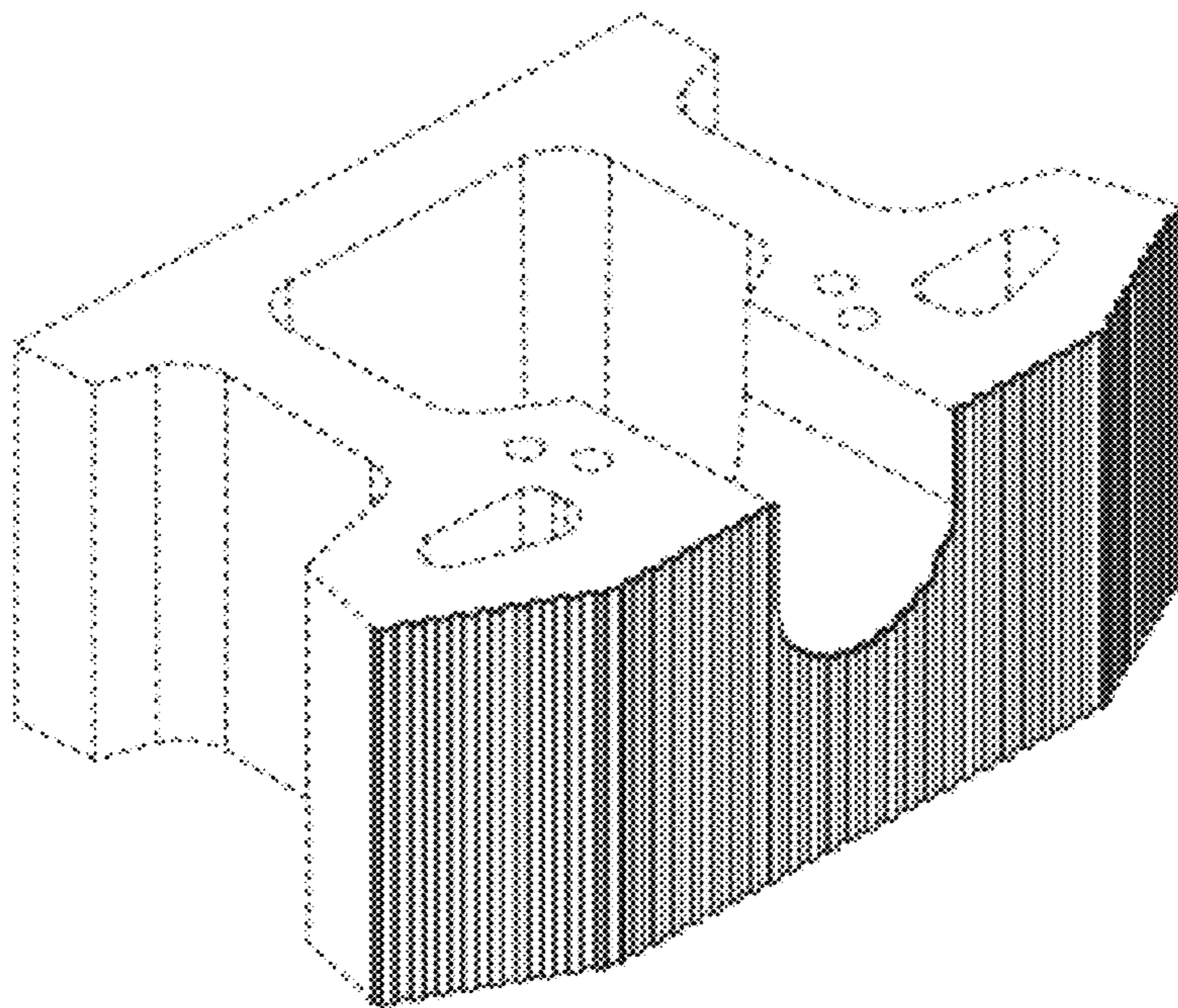
U.S. PATENT DOCUMENTS							
5,951,210	A	9/1999	Maguire et al.	D602,171	S	10/2009	Rodebaugh et al.
6,019,550	A	2/2000	Wrigley et al.	7,641,178	B2	1/2010	MacDonald et al.
D430,308	S	8/2000	Dawson	D610,710	S	2/2010	LaCroix et al.
6,113,318	A	9/2000	Guth	7,654,776	B2	2/2010	MacDonald et al.
6,149,352	A	11/2000	MacDonald	D620,615	S	7/2010	MacDonald et al.
6,168,353	B1	1/2001	Price	D621,070	S	8/2010	MacDonald et al.
6,224,295	B1 *	5/2001	Price et al. .... 405/262	7,780,141	B2	8/2010	Dawson et al.
6,295,772	B1 *	10/2001	Whitson ..... 52/182	7,934,351	B2	5/2011	Clarno
D459,487	S	6/2002	Bott	7,971,407	B2	7/2011	MacDonald
6,536,994	B2	3/2003	Race	D650,918	S	12/2011	Hammer
D475,143	S	5/2003	Hammer	2006/0110223	A1	5/2006	Dawson
6,615,561	B2	9/2003	MacDonald et al.	2008/0277561	A1	11/2008	MacDonald
6,709,201	B2	3/2004	Race	2008/0289282	A1	11/2008	MacDonald
D488,242	S	4/2004	MacDonald	2008/0302350	A1	12/2008	LaCroix
D488,568	S	4/2004	MacDonald	2008/0307740	A1	12/2008	MacDonald
D488,569	S	4/2004	Dawson	2008/0313988	A1	12/2008	MacDonald
D490,542	S	5/2004	MacDonald	2009/0120029	A1	5/2009	LaCroix et al.
6,803,002	B2	10/2004	Suto et al.	2009/0151281	A1	6/2009	MacDonald et al.
6,821,058	B1	11/2004	Dawson	2009/0188196	A1	7/2009	MacDonald
D501,935	S	2/2005	Dawson et al.	2009/0308015	A1	12/2009	MacDonald et al.
6,854,231	B2	2/2005	MacDonald et al.	2009/0313936	A1	12/2009	MacDonald et al.
6,912,823	B2	7/2005	MacDonald et al.	2010/0308502	A1	12/2010	LaCroix et al.
D530,832	S	10/2006	Rainey	2010/0310695	A1	12/2010	LaCroix et al.
7,168,892	B1	1/2007	MacDonald et al.	2011/0072753	A1	3/2011	MacDonald
D544,550	S *	6/2007	Hageman ..... D21/497	2011/0217127	A1	9/2011	MacDonald
7,448,830	B2	11/2008	MacDonald et al.	2011/0243669	A1	10/2011	Friederichs et al.
D587,382	S	2/2009	Wauhop				

\* cited by examiner

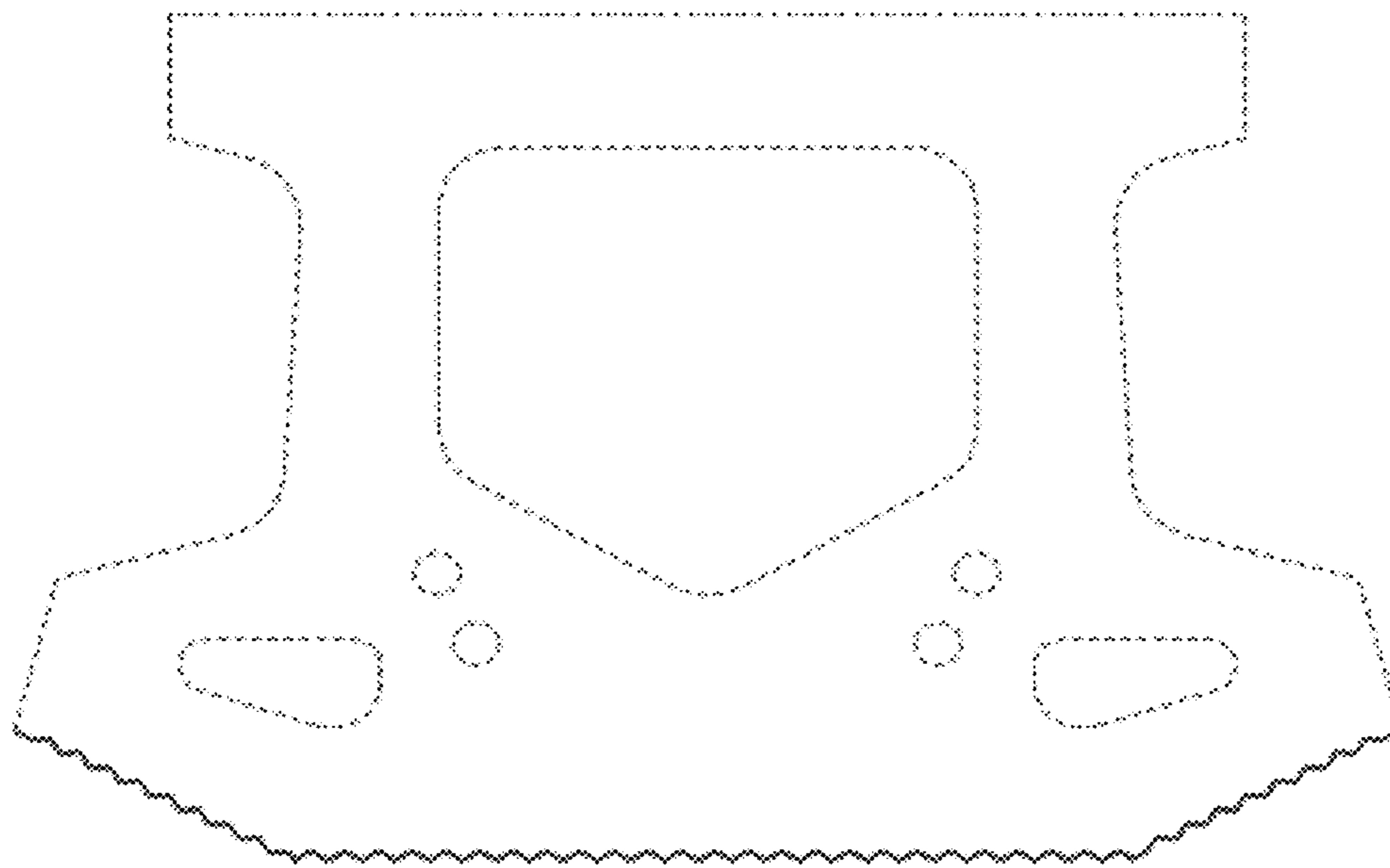




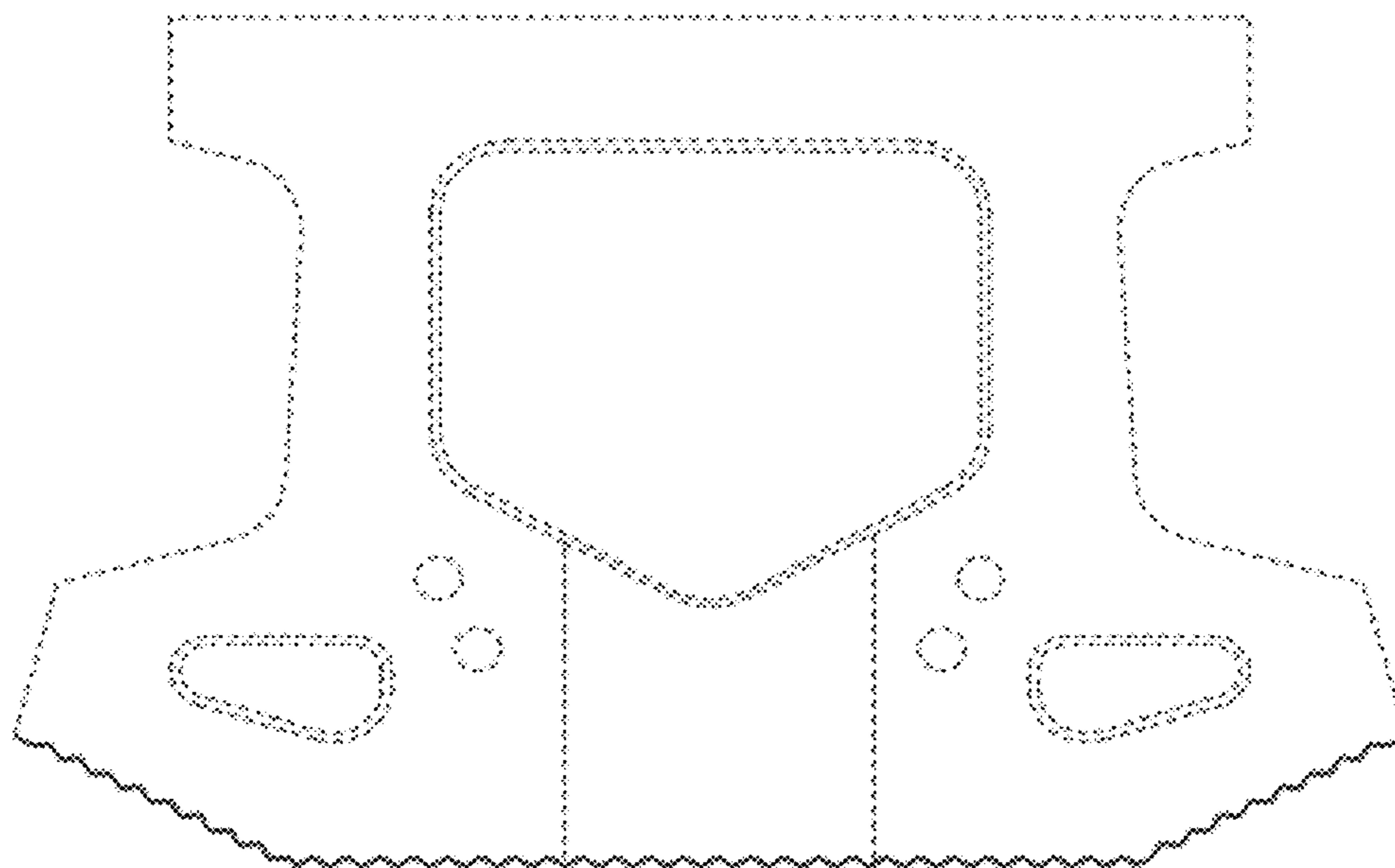
*Fig. 1*



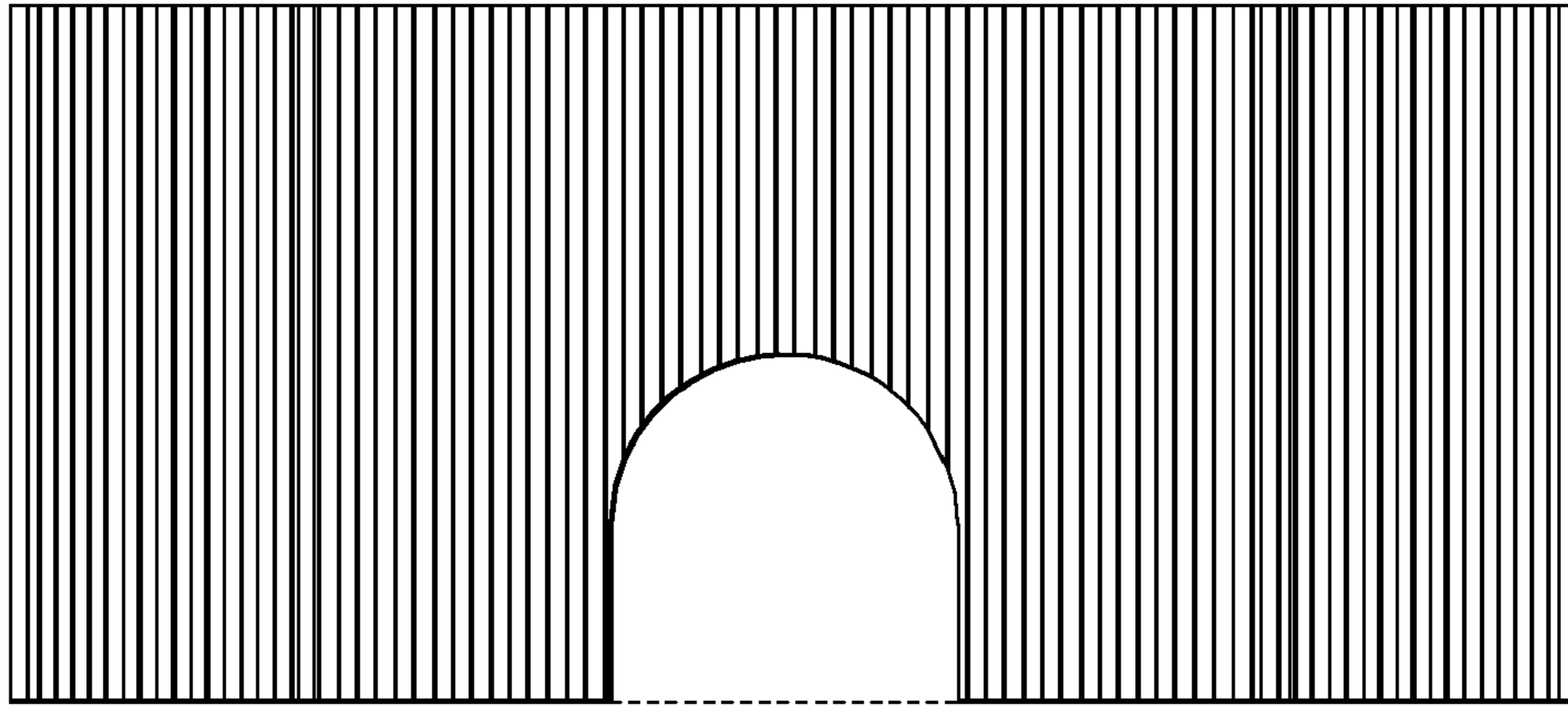
*Fig. 2*



*Fig. 3*



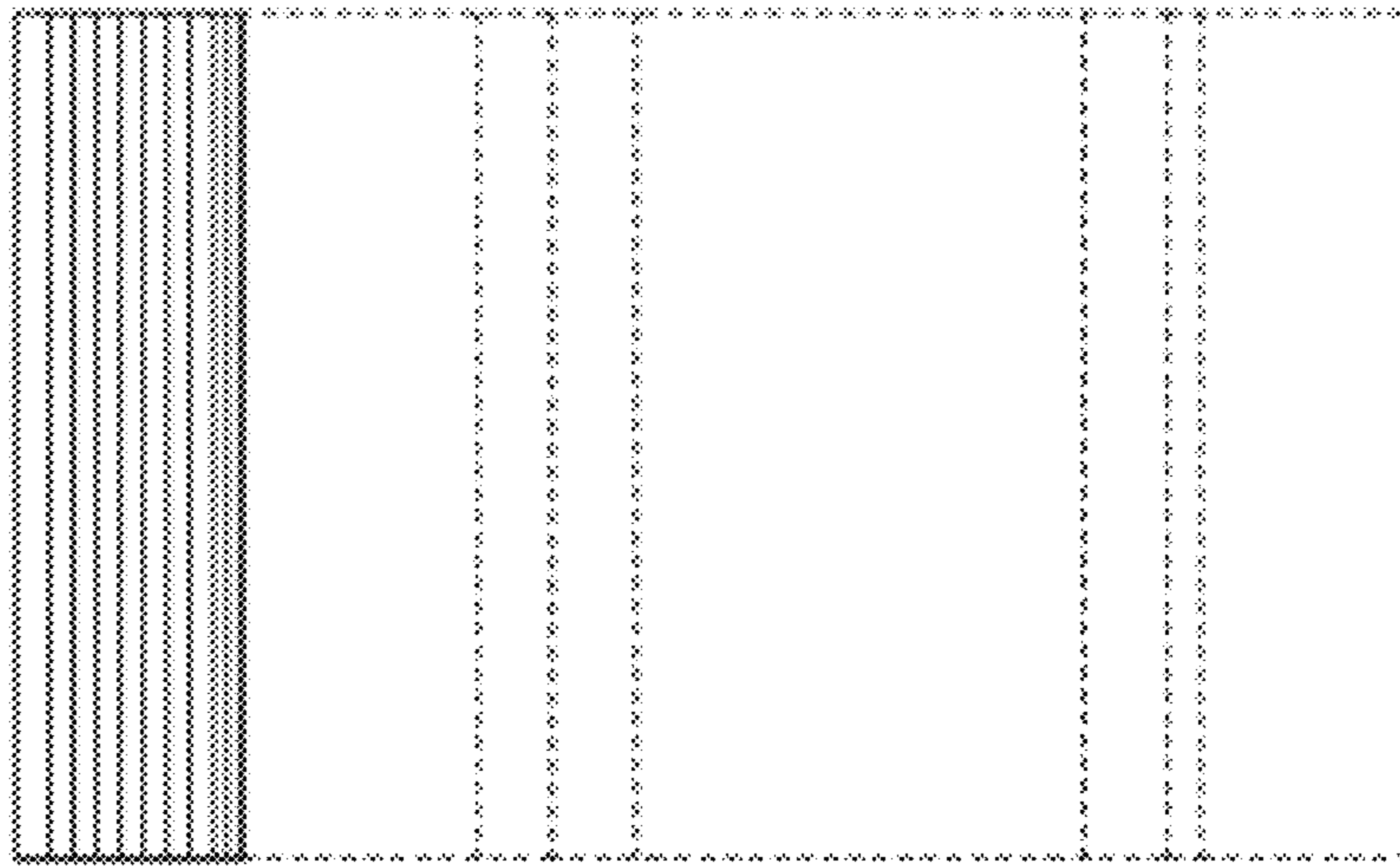
*Fig. 4*



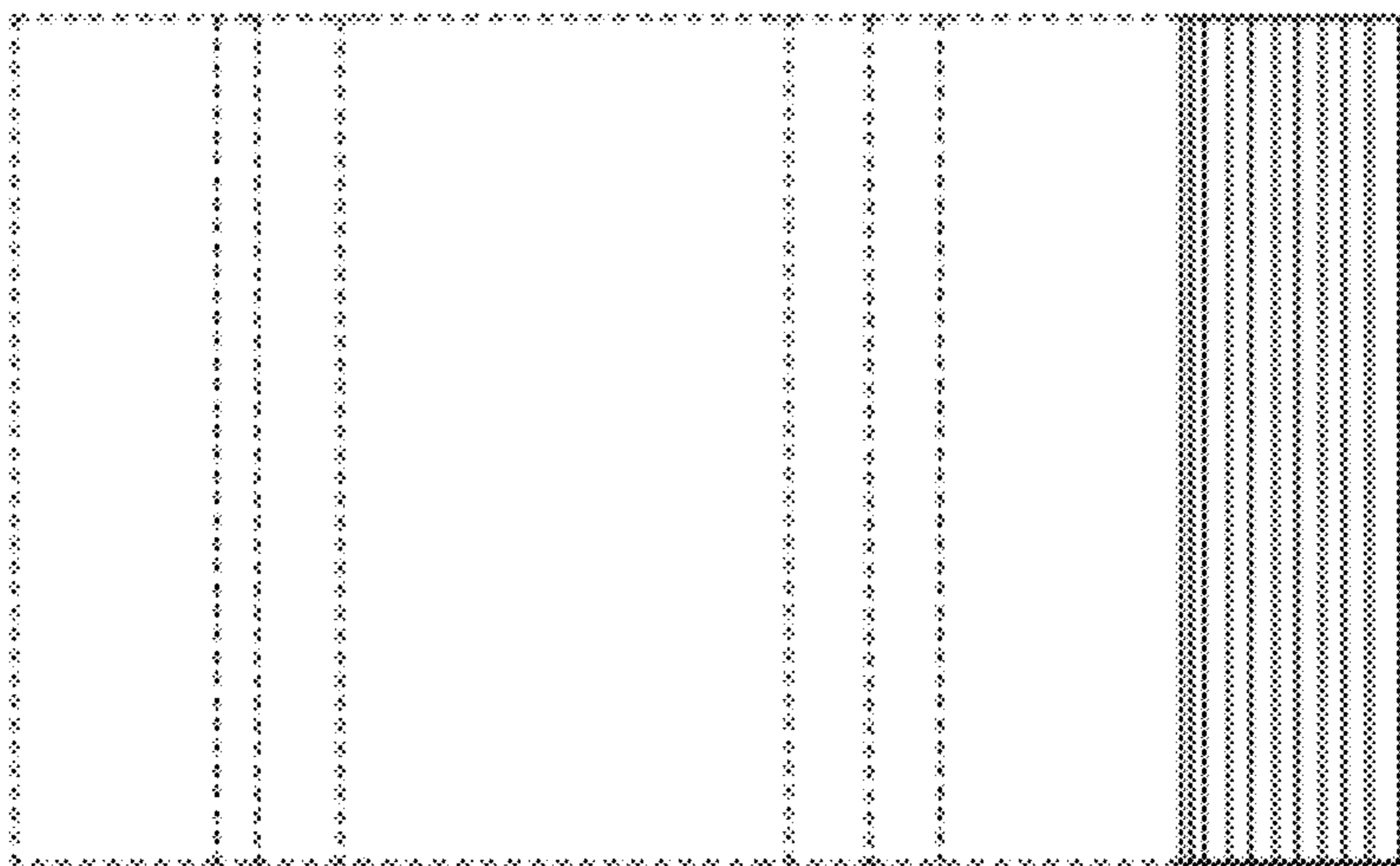
*Fig. 5*



*Fig. 6*

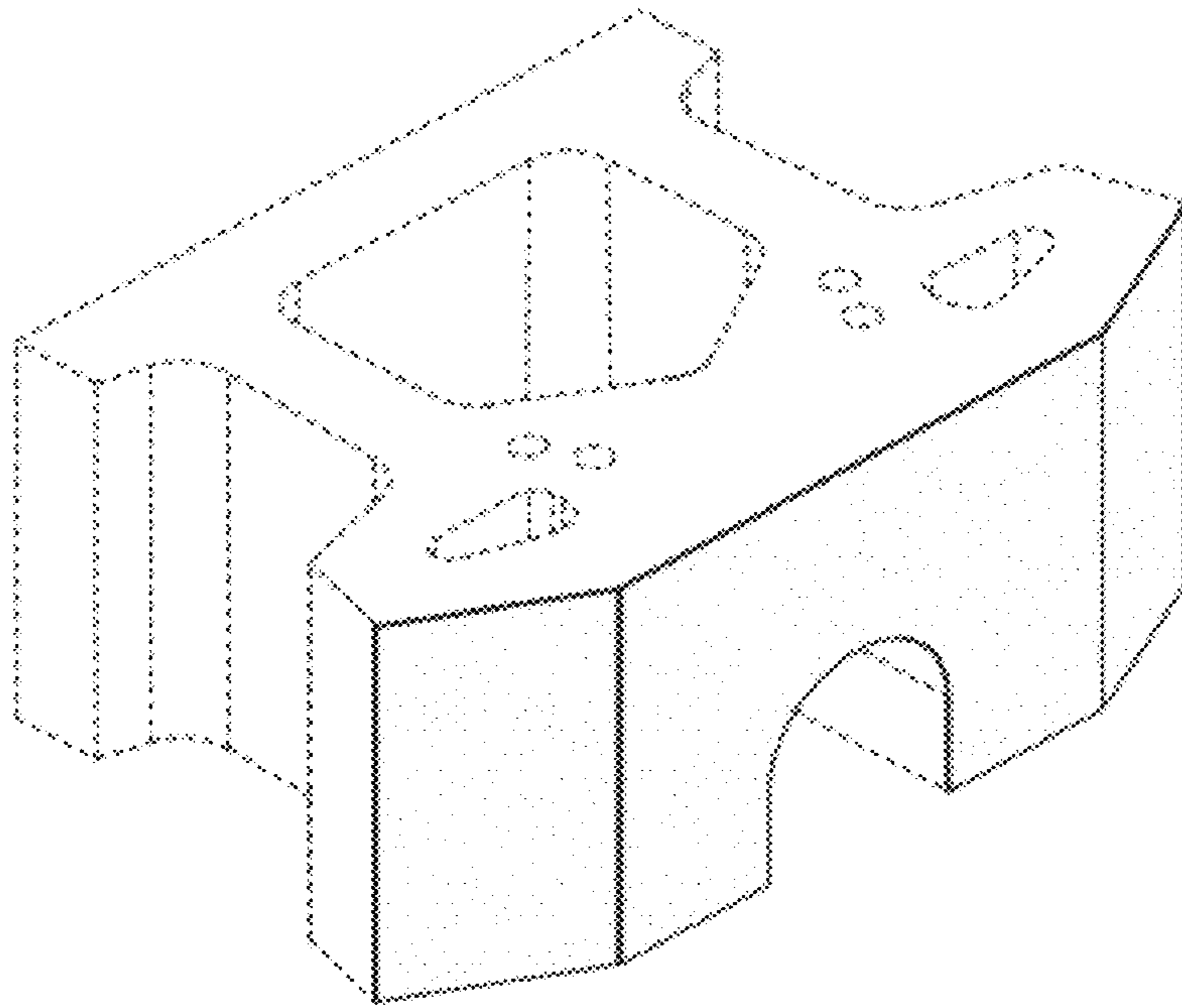


*Fig. 7*

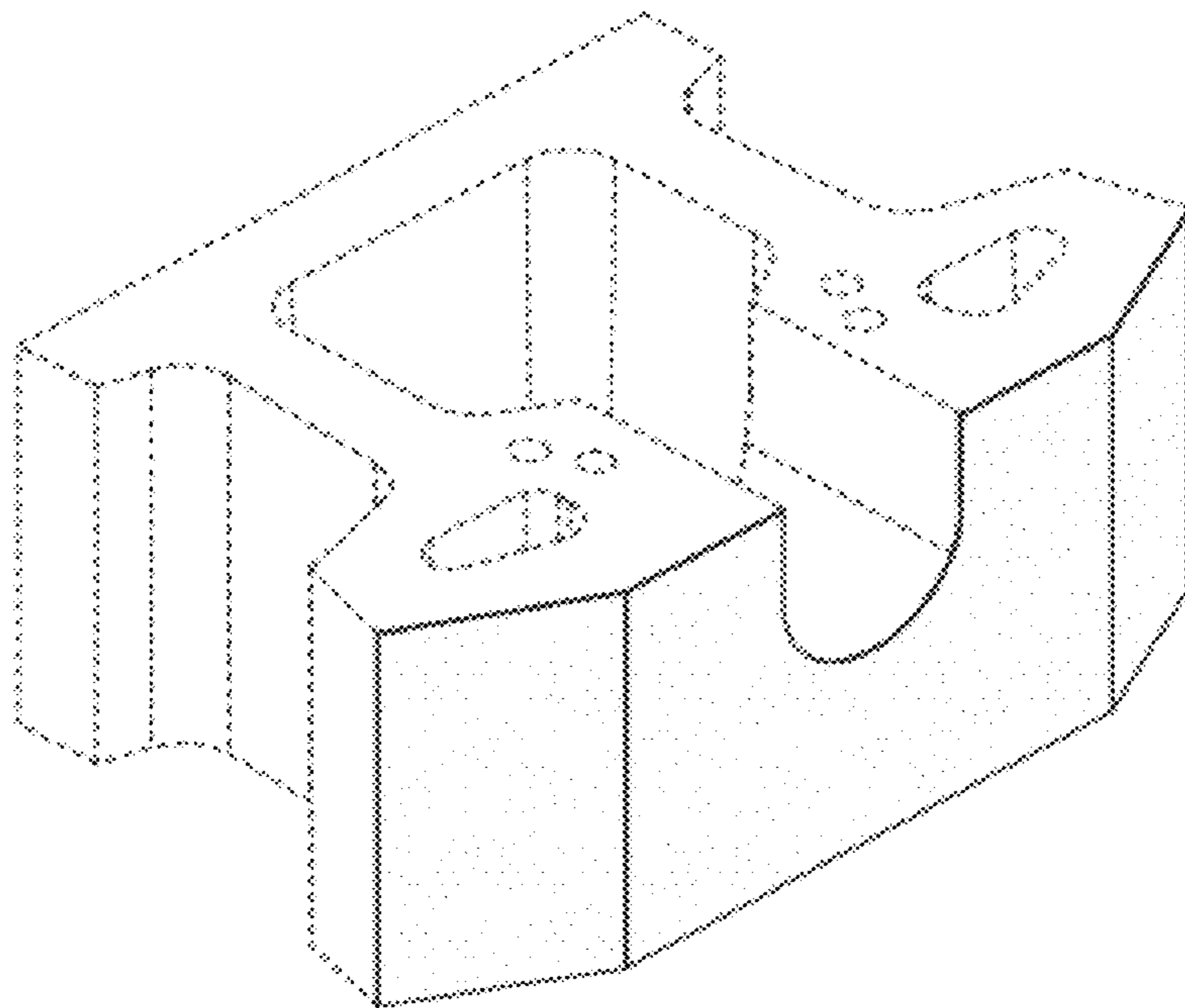


*Fig. 8*

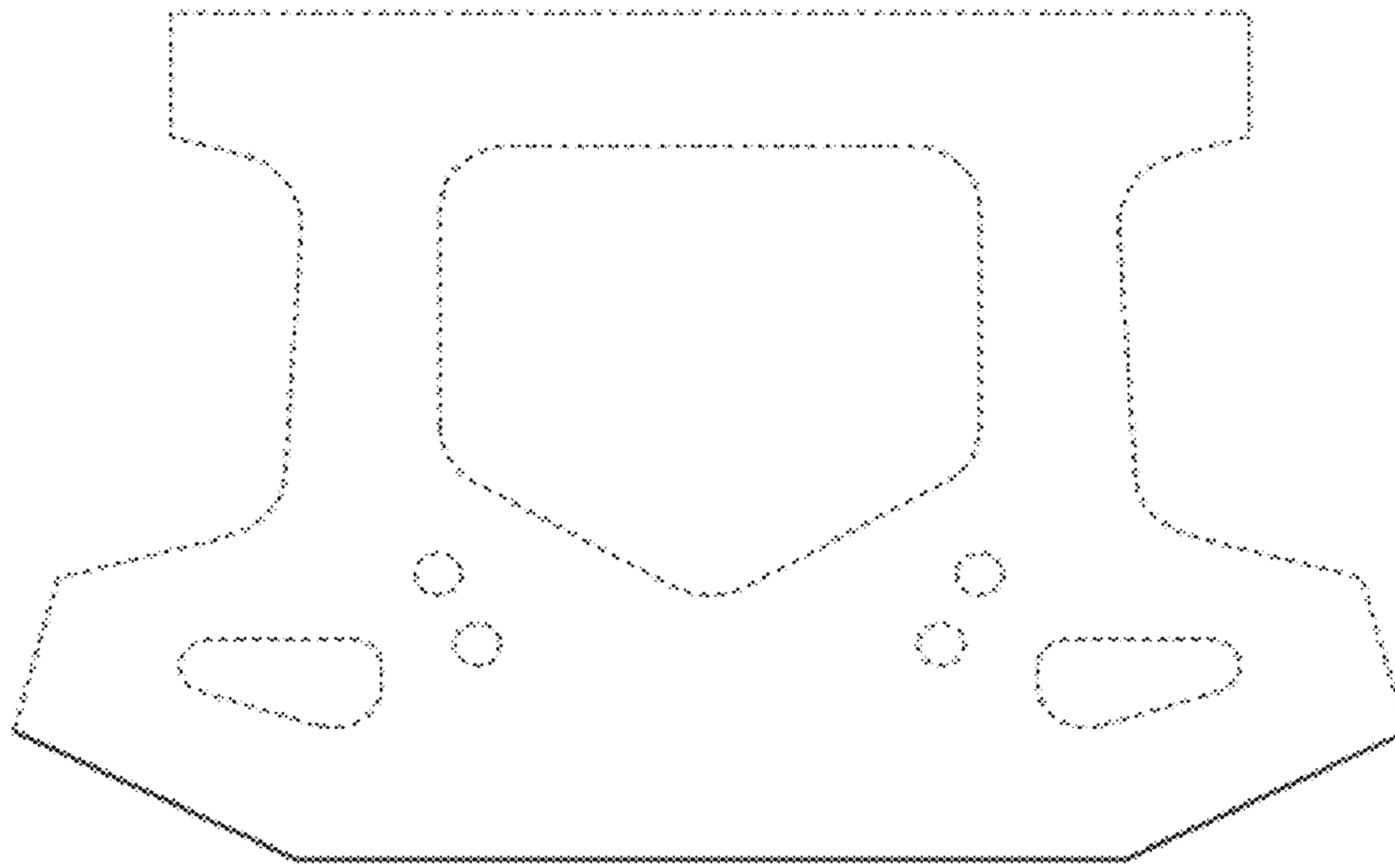




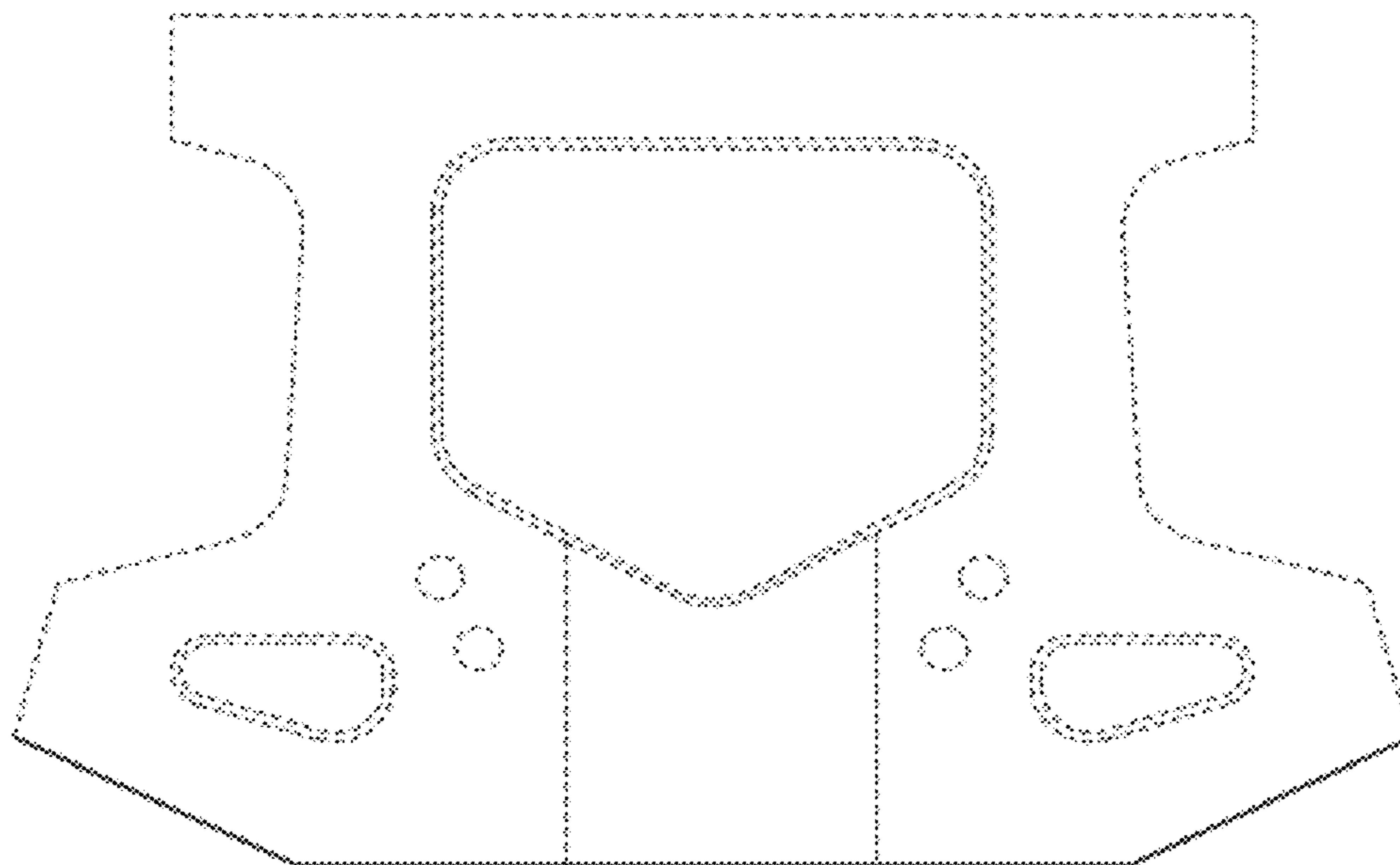
*Fig. 9*



*Fig. 10*

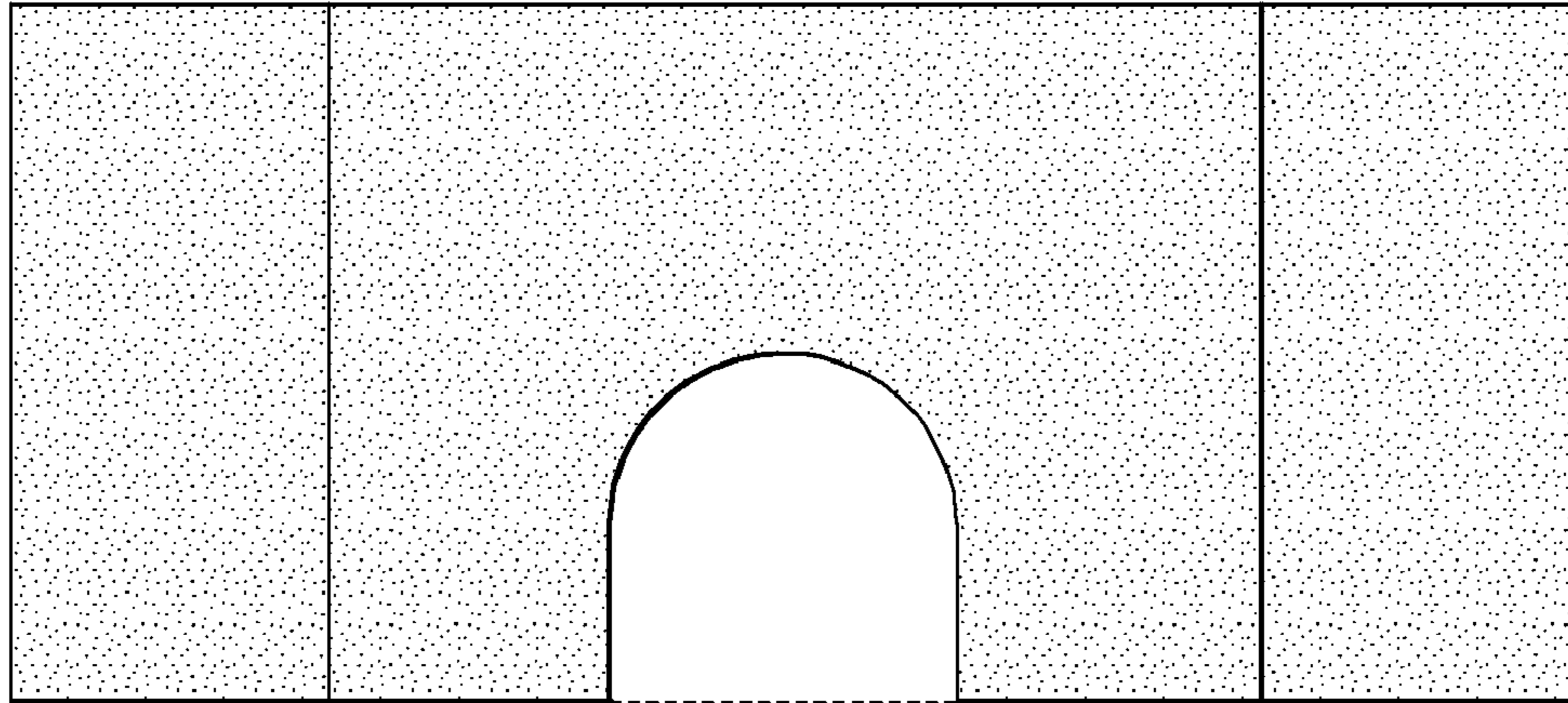


*Fig. 11*



*Fig. 12*

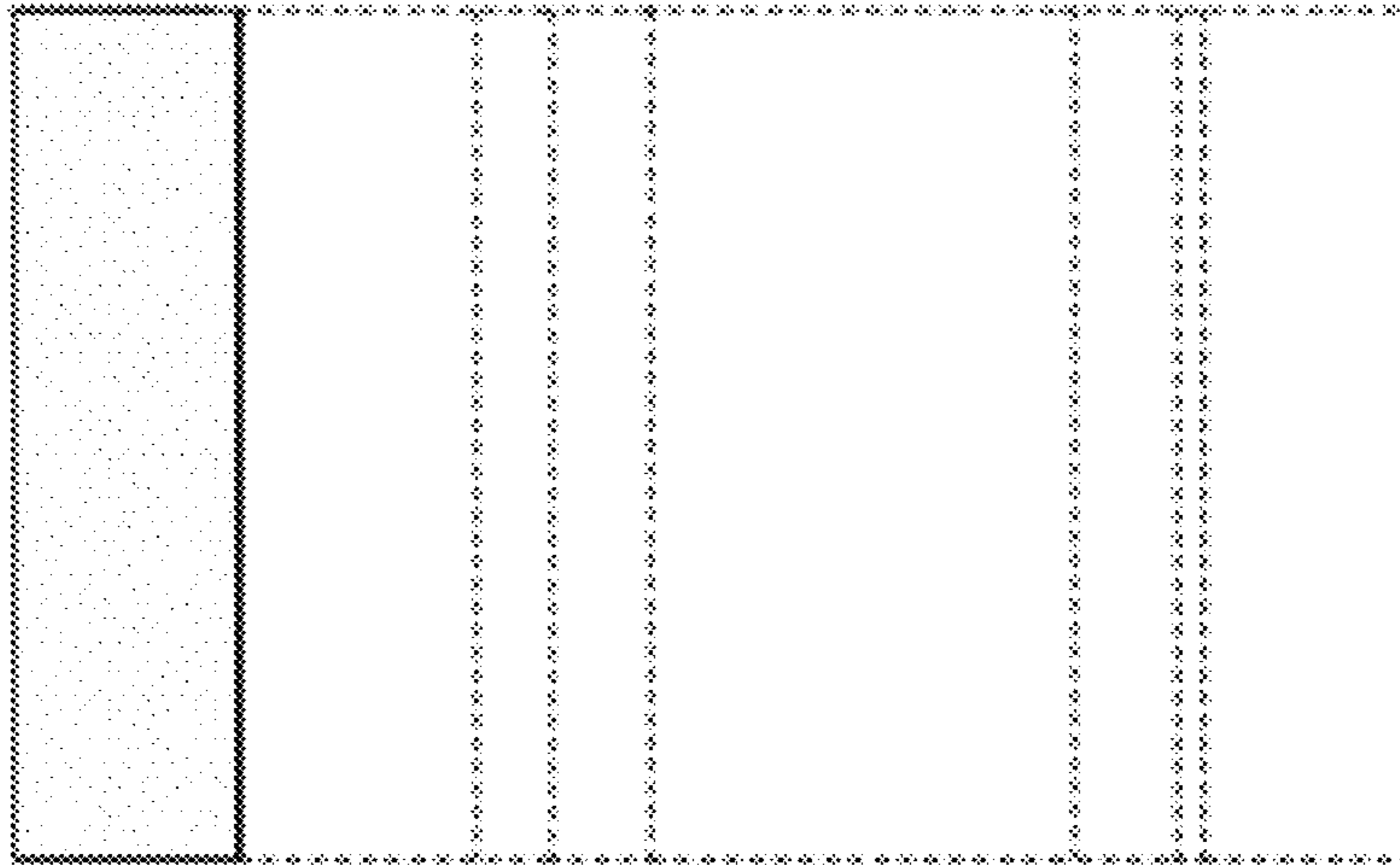




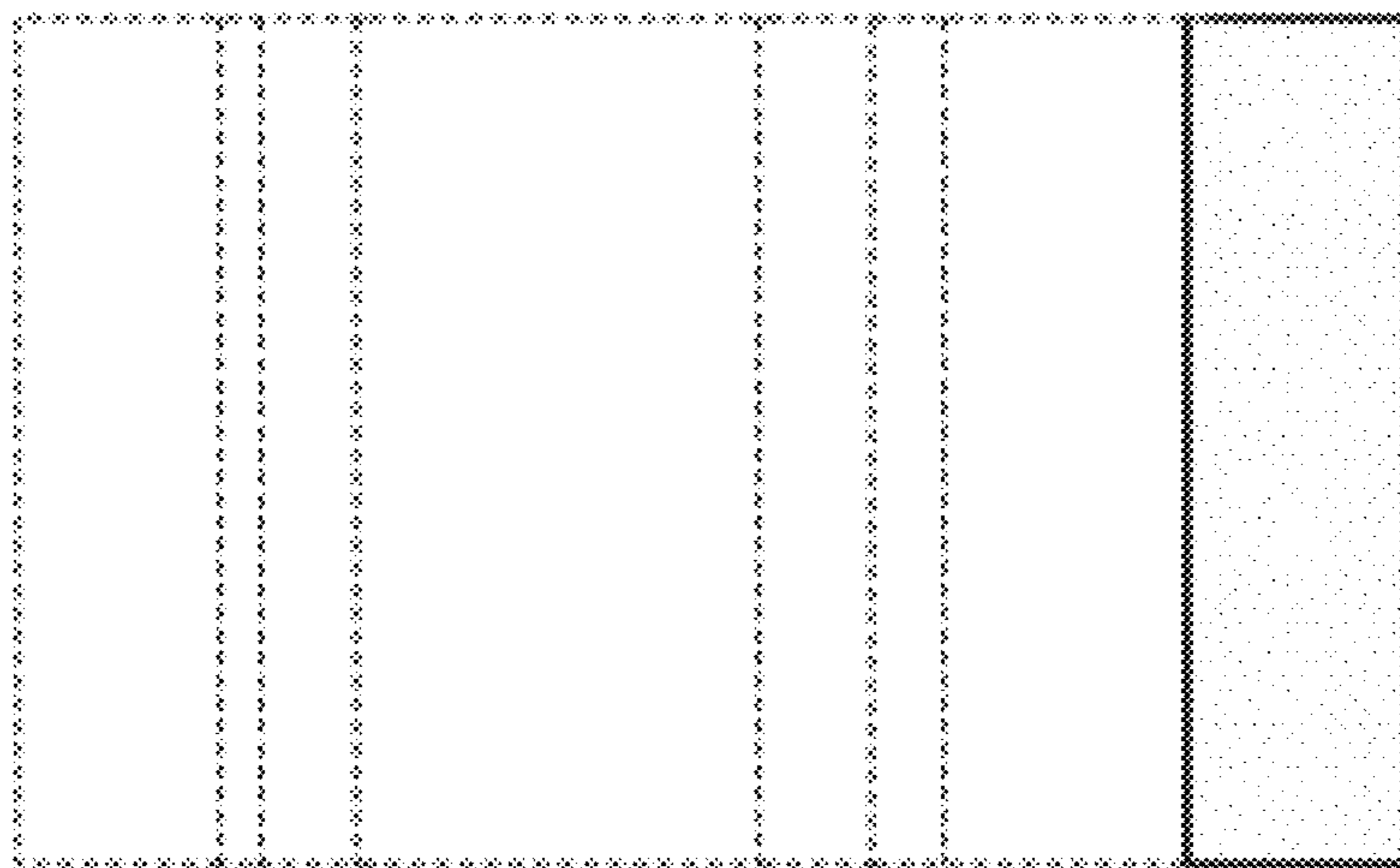
*Fig. 13*



*Fig. 14*



*Fig. 15*



*Fig. 16*