

US00D667564S

(12) **United States Design Patent**
Evans

(10) **Patent No.:** **US D667,564 S**

(45) **Date of Patent:** **** Sep. 18, 2012**

(54) **LOCKING DEVICE**

(76) Inventor: **Sean Evans**, Gold Coast (AU)

(**) Term: **14 Years**

(21) Appl. No.: **29/382,521**

(22) Filed: **Jan. 4, 2011**

(51) **LOC (9) Cl.** **25-02**

(52) **U.S. Cl.** **D25/68**; D25/64; D12/412; D8/387;
D8/394; 182/127; 7/258

(58) **Field of Classification Search** D25/68,
D25/64; D12/412; D8/330-331, 354-355,
D8/380, 383, 387, 394, 397; 403/386, 395-396,
403/399, DIG. 9; 182/230; 180/313; 70/58,
70/61, 258

See application file for complete search history.

(56) **References Cited**

U.S. PATENT DOCUMENTS

3,979,097	A *	9/1976	Balne	D25/68
4,827,742	A *	5/1989	McDonald	182/127
5,000,067	A *	3/1991	Kolbusz et al.	81/436
5,009,350	A *	4/1991	Schill et al.	182/127
5,095,722	A *	3/1992	Chapmond et al.	70/18

5,832,755	A *	11/1998	Crilly	182/230
5,850,891	A *	12/1998	Olms et al.	182/127
5,918,488	A *	7/1999	Deeter	70/14
7,097,409	B2 *	8/2006	Richter	182/127
7,210,559	B2 *	5/2007	Hickey	182/127

* cited by examiner

Primary Examiner — Robert Delehanty

(74) *Attorney, Agent, or Firm* — QuickPatents, Inc.; Kevin Prince

(57) **CLAIM**

I claim the ornamental design for a locking device, as shown and described.

DESCRIPTION

FIG. 1 is a perspective view of a locking device, showing the new design;

FIG. 2 is a front elevational view thereof;

FIG. 3 is a rear elevational view thereof;

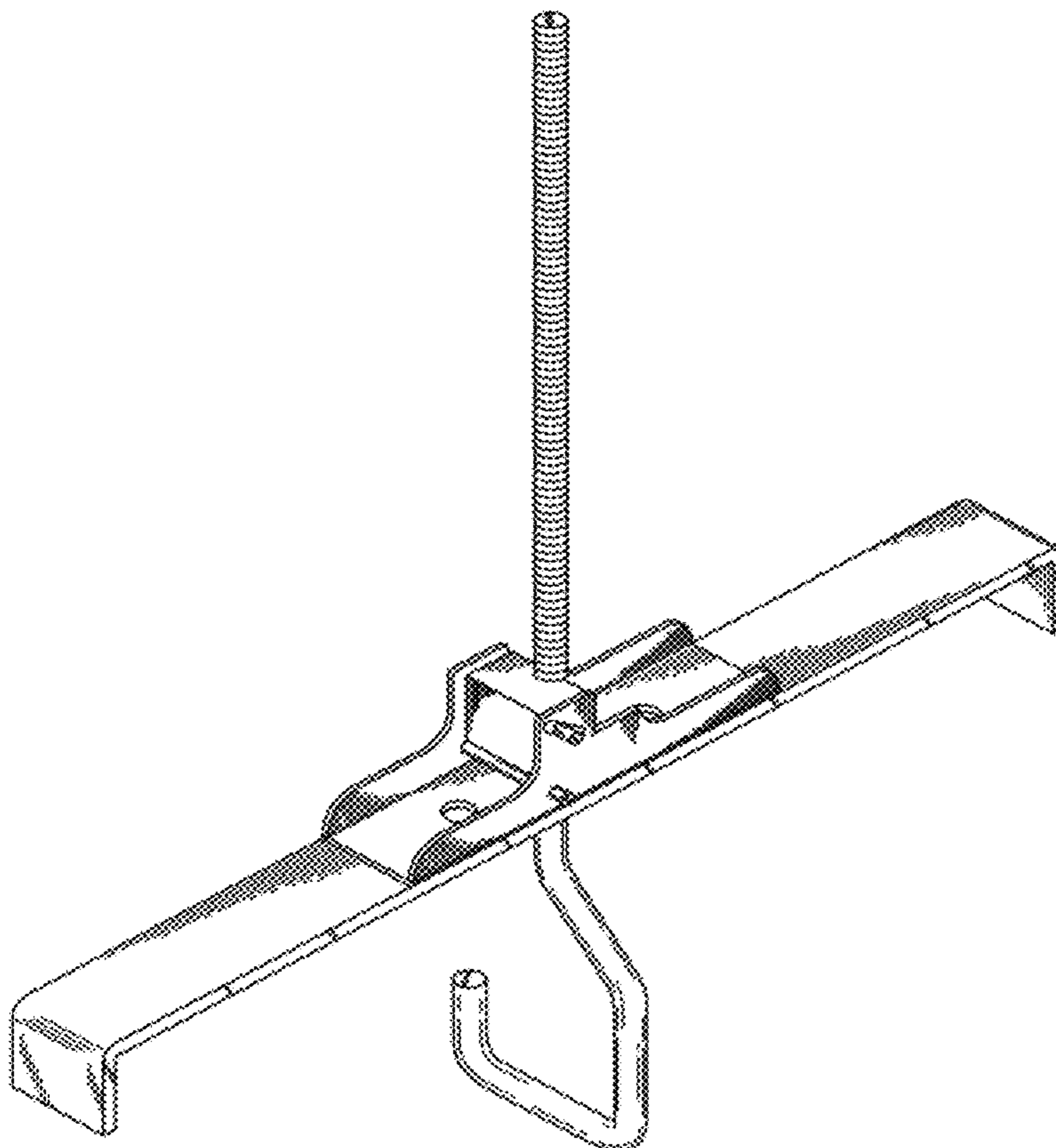
FIG. 4 is a left-side elevational view thereof;

FIG. 5 is a right-side elevational view thereof;

FIG. 6 is a top plan view thereof; and,

FIG. 7 is a bottom plan view thereof.

1 Claim, 5 Drawing Sheets



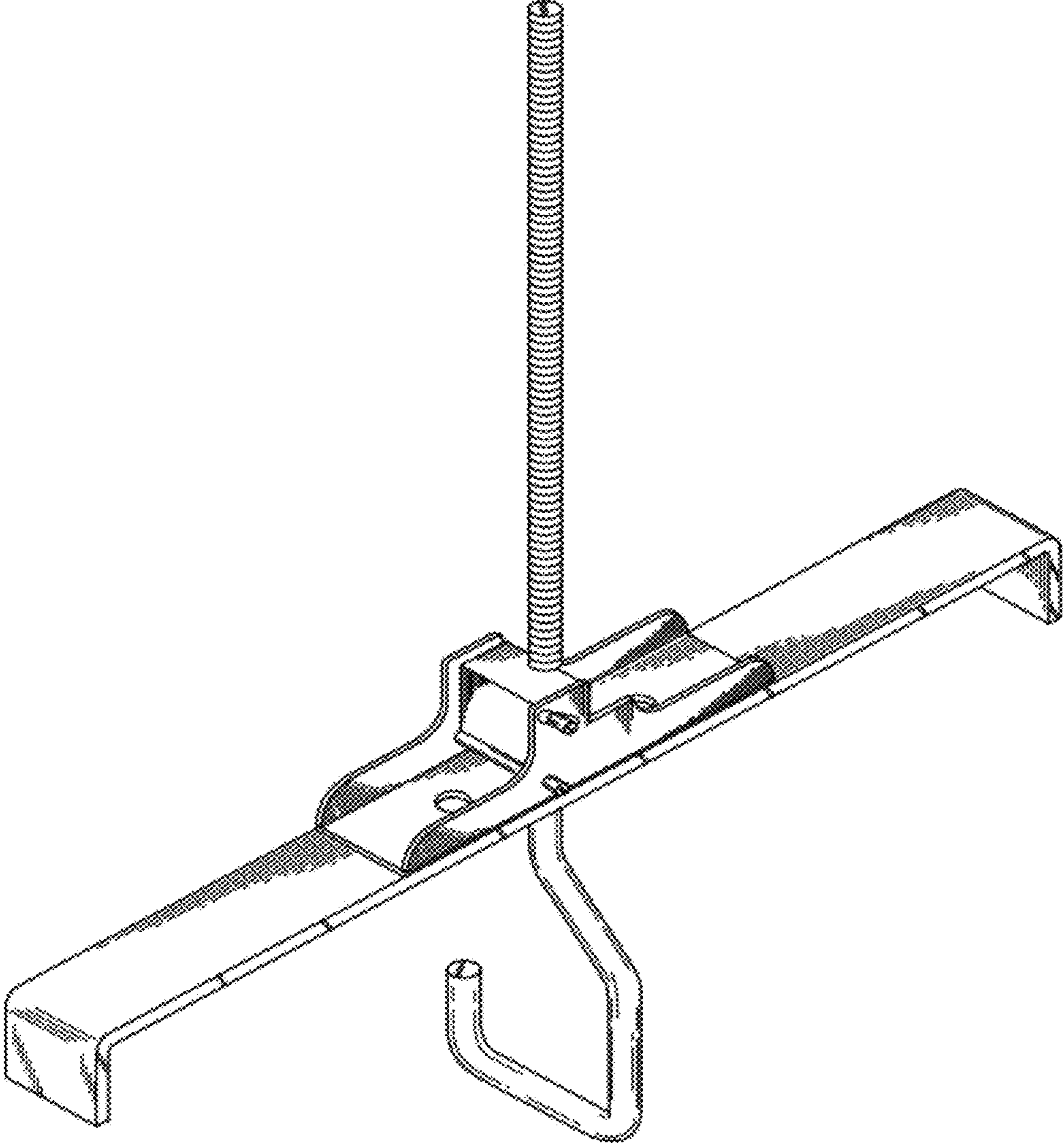


FIG. 1

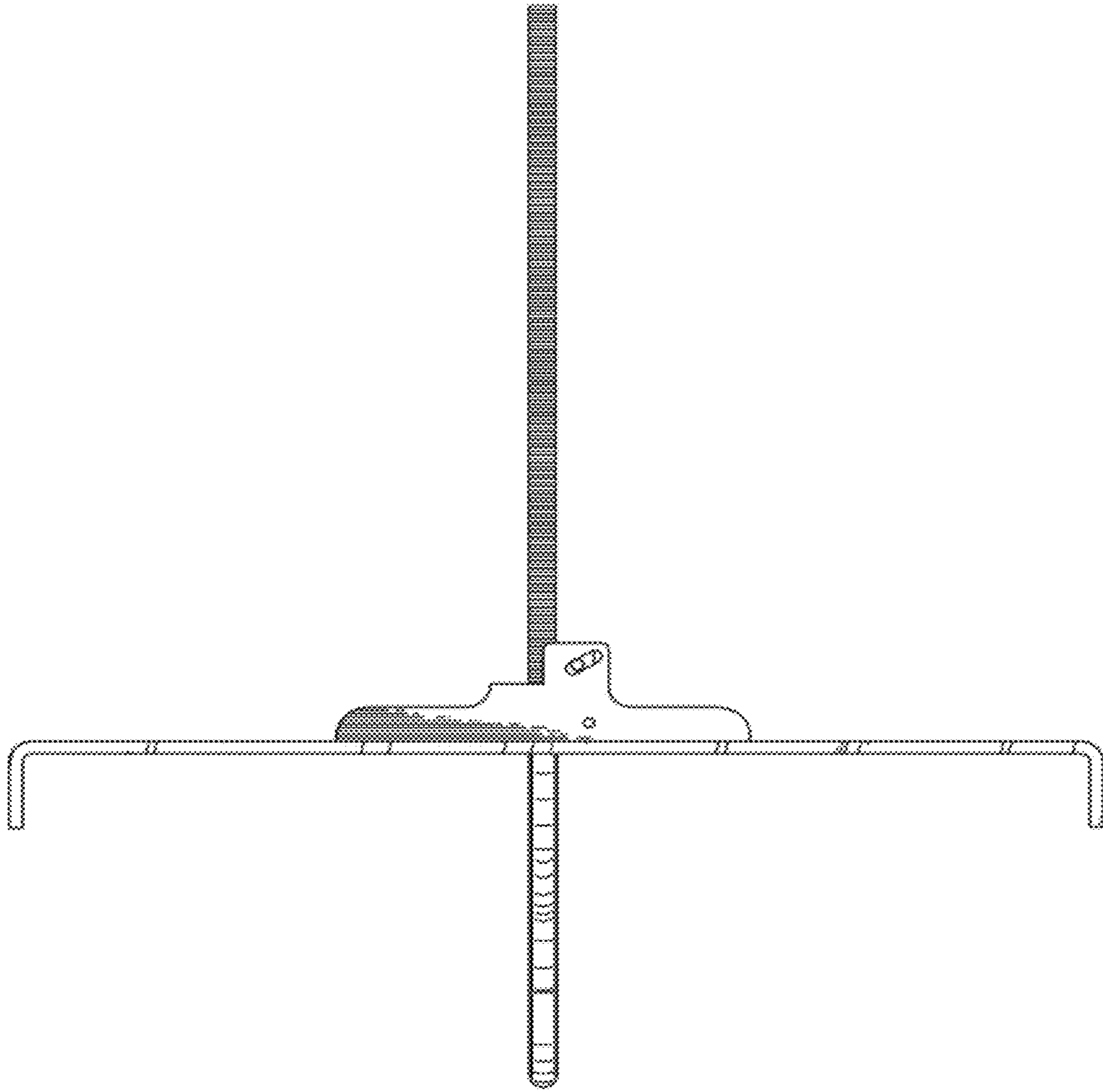


FIG. 2

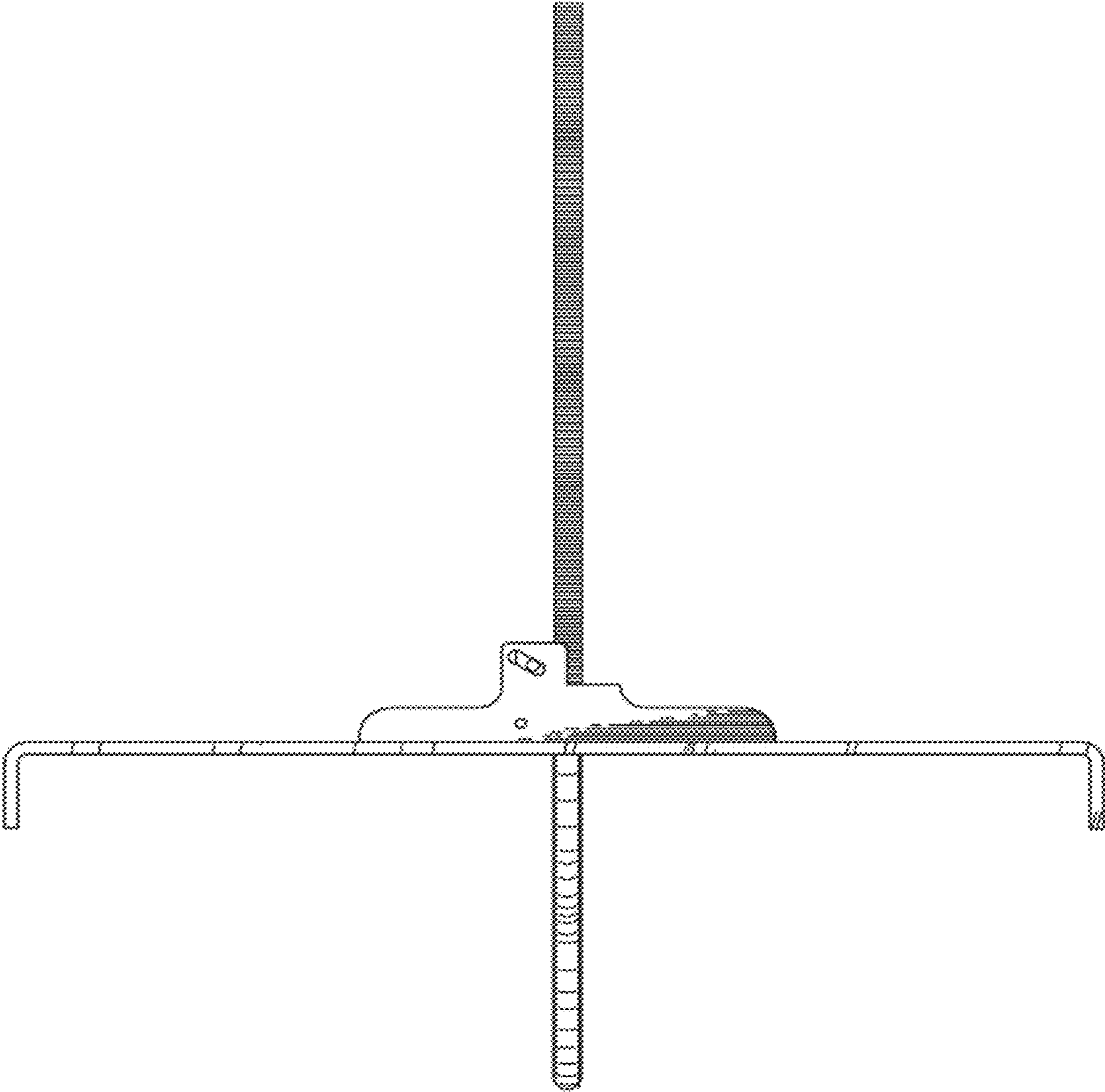


FIG. 3

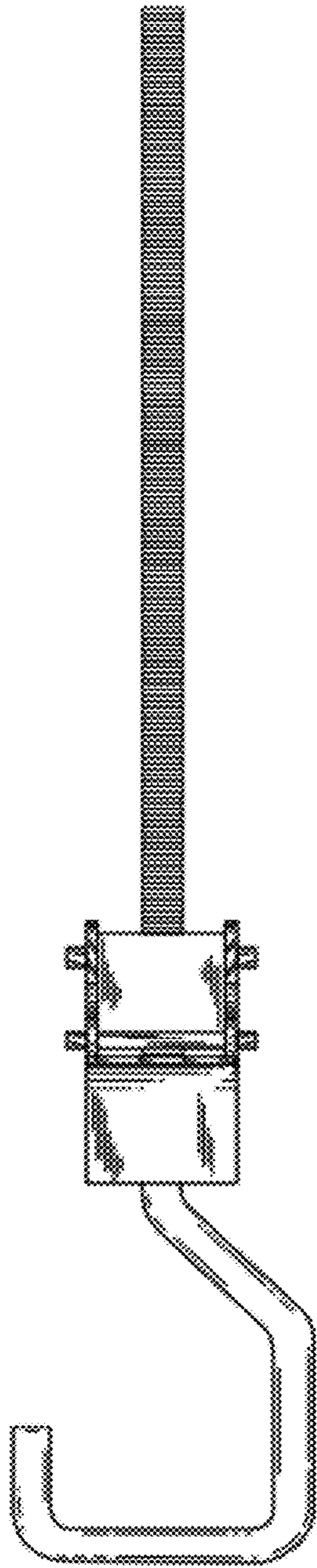


FIG. 4

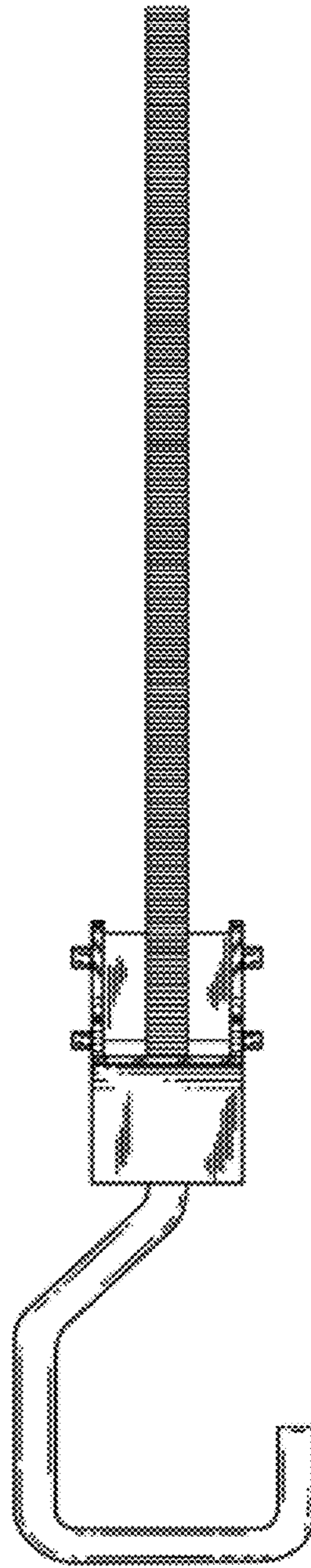


FIG. 5

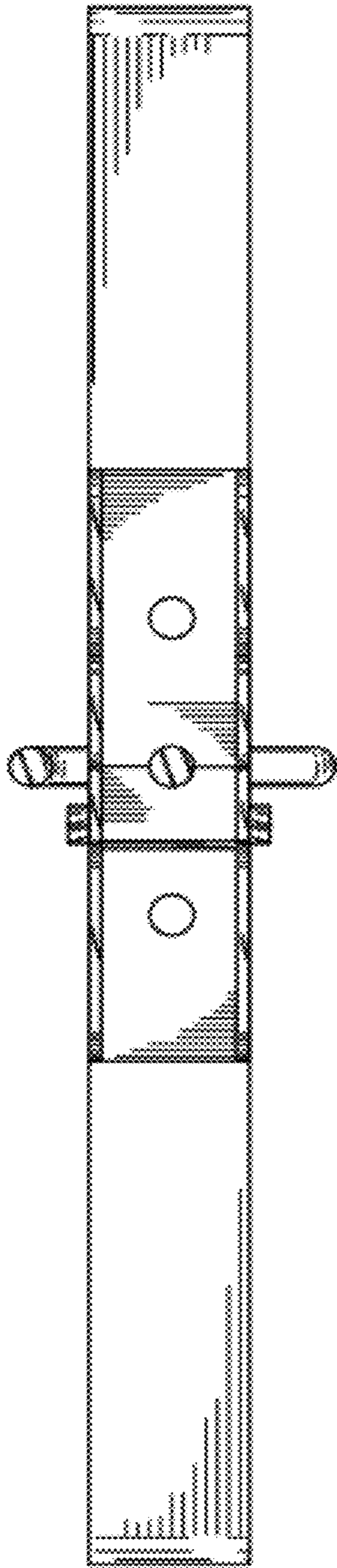


FIG. 6

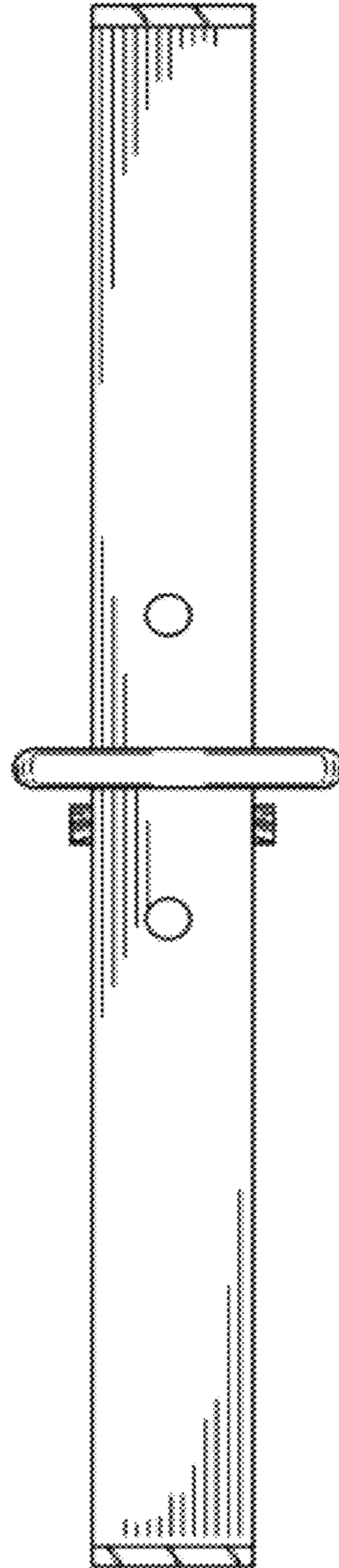


FIG. 7