



US00D667559S

(12) **United States Design Patent**
Py

(10) **Patent No.:** **US D667,559 S**

(45) **Date of Patent:** **** Sep. 18, 2012**

(54) **BOTTLE WITH NIPPLE**

FOREIGN PATENT DOCUMENTS

(75) Inventor: **Daniel Py**, Larchmont, NY (US)

EM 000400734-0001 S 11/2005

(Continued)

(73) Assignee: **Medical Instill Technologies, Inc.**, New Milford, CT (US)

OTHER PUBLICATIONS

(**) Term: **14 Years**

International Search Report and Written Opinion of the International Searching Authority for International Application No. PCT/US2008/81393.

(21) Appl. No.: **29/400,406**

(Continued)

(22) Filed: **Aug. 26, 2011**

Primary Examiner — Susan E Krakower

(74) *Attorney, Agent, or Firm* — McCarter & English, LLP

Related U.S. Application Data

(62) Division of application No. 29/357,349, filed on Mar. 11, 2010, now Pat. No. Des. 644,334.

(51) **LOC (9) Cl.** **07-01**

(52) **U.S. Cl.** **D24/197**

(58) **Field of Classification Search** D24/193–199,
D24/117; D7/510–511, 533–534; D9/500,
D9/503–504, 547; 215/11.1–11.6, 387, 398,
215/DIG. 8

See application file for complete search history.

(57) **CLAIM**

The ornamental design for a bottle with nipple, as shown and described.

DESCRIPTION

FIG. 1 is a side perspective view of a bottle with nipple;
FIG. 2 is a left side elevational view of the bottle with nipple of FIG. 1;
FIG. 3 is a rear elevational view of the bottle with nipple of FIG. 1;
FIG. 4 is a right side elevational view of the bottle with nipple of FIG. 1;
FIG. 5 is a front elevational view of the bottle with nipple of FIG. 1;
FIG. 6 is a top plan view of the bottle with nipple of FIG. 1;
and,
FIG. 7 is a bottom plan view of the bottle with nipple of FIG. 1.

The broken lines appearing in the drawings are for the purpose of illustrating portions of the article in which the design is embodied. Portions of the article appearing in broken lines form no part of the claimed design.

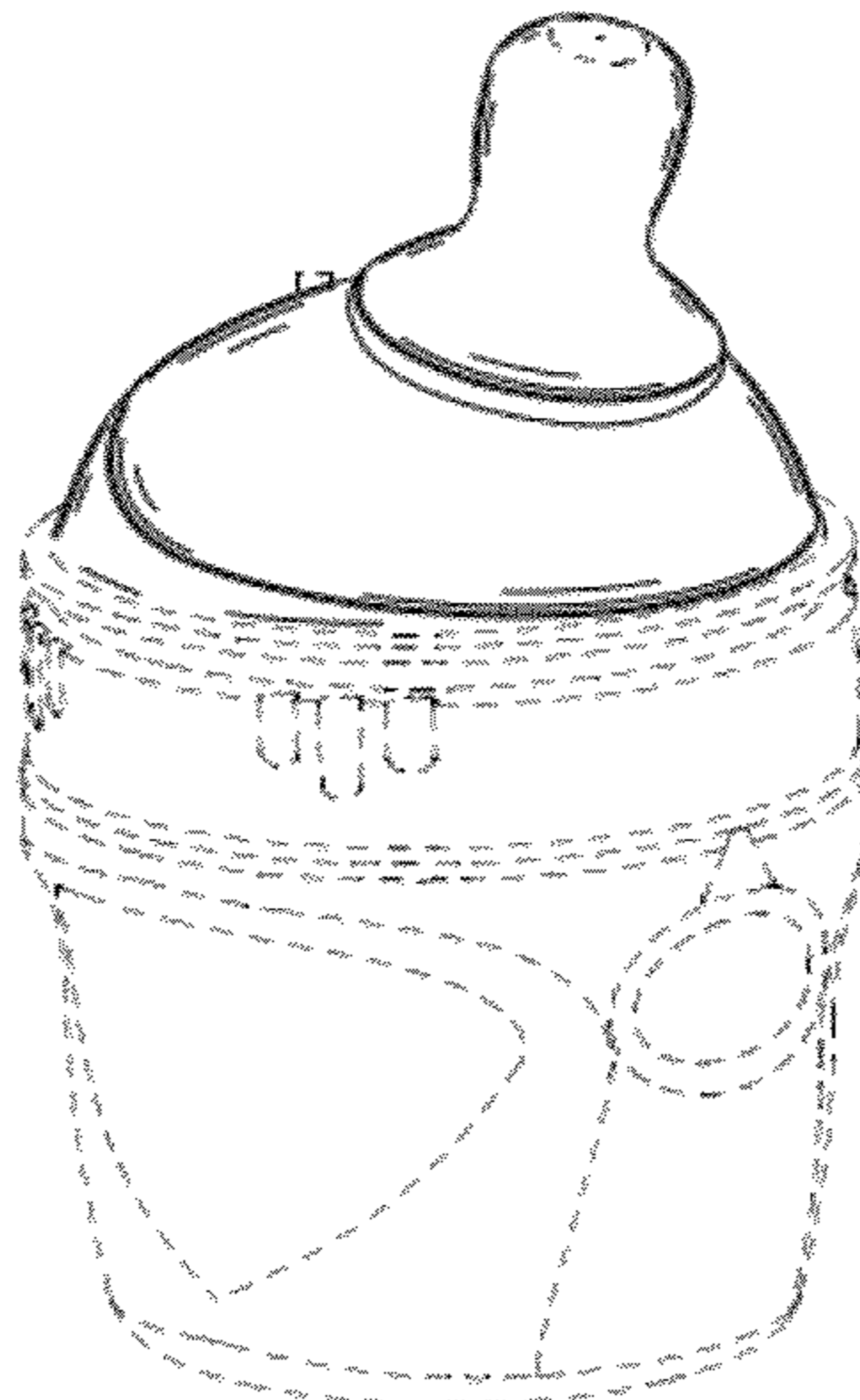
(56) **References Cited**

U.S. PATENT DOCUMENTS

714,133	A	11/1902	Blatin	
1,280,942	A	10/1918	Apple	
1,972,895	A *	9/1934	MacCoy	215/11.5
2,514,744	A	7/1950	Cipyak	
2,812,764	A	11/1957	Crisp	
4,676,387	A	6/1987	Stephenson et al.	
4,867,325	A *	9/1989	Dransfield	215/11.2
5,101,991	A	4/1992	Morifuji et al.	
D363,128	S *	10/1995	Reinke	D24/197
5,690,679	A	11/1997	Prentiss	
D389,583	S *	1/1998	Thom	D24/197
5,984,141	A *	11/1999	Gibler	222/80
D440,317	S	4/2001	Tollman	
D454,642	S	3/2002	Hakim	

(Continued)

1 Claim, 2 Drawing Sheets



US D667,559 S

Page 2

U.S. PATENT DOCUMENTS

D464,434 S 10/2002 Morano
6,481,571 B1 11/2002 Kelders et al.
6,499,615 B1 12/2002 Szieff et al.
D479,333 S * 9/2003 Turnbough D24/197
6,745,915 B2 6/2004 Rees
6,971,551 B2 12/2005 Widgery
D513,593 S 1/2006 Weber
7,204,380 B2 4/2007 Webb et al.
D547,874 S * 7/2007 Horie et al. D24/194
D564,665 S * 3/2008 Kim D24/197
D589,153 S 3/2009 Rosales
D599,481 S 9/2009 Drummond
D599,482 S 9/2009 Drummond
7,637,382 B2 * 12/2009 Kraus et al. 215/11.1
7,637,383 B2 * 12/2009 Schlumpf 215/11.1
7,712,617 B2 * 5/2010 Silver 215/11.1
D617,465 S 6/2010 Hakim
D625,830 S 10/2010 Py et al.
7,828,821 B2 * 11/2010 Renz 606/236
D634,439 S * 3/2011 Hakim D24/196
D635,683 S * 4/2011 Shaikh et al. D24/196
D639,969 S * 6/2011 Pukall et al. D24/196
D642,435 S * 8/2011 Schofield et al. D7/510
D642,436 S * 8/2011 Schofield et al. D7/510

D642,866 S * 8/2011 Schofield et al. D7/510
D644,334 S * 8/2011 Py D24/197
8,011,521 B2 * 9/2011 Clark 215/11.1
D650,233 S * 12/2011 Roehrig et al. D7/510
2002/0158075 A1 * 10/2002 Caldicott et al. 220/714
2006/0137998 A1 6/2006 Spector et al.
2007/0283666 A1 12/2007 Py et al.
2008/0099422 A1 5/2008 Rees
2009/0139883 A1 6/2009 Py
2009/0139949 A1 6/2009 Py
2009/0139995 A1 6/2009 Py

FOREIGN PATENT DOCUMENTS

EM 001171391-0001 S 10/2009
WO WO 2007/120719 A2 10/2007

OTHER PUBLICATIONS

International Search Report and Written Opinion of the International Searching Authority for International Application No. PCT/US2008/81395.

International Search Report and Written Opinion of the International Searching Authority for International Application No. PCT/US2008/83196.

* cited by examiner

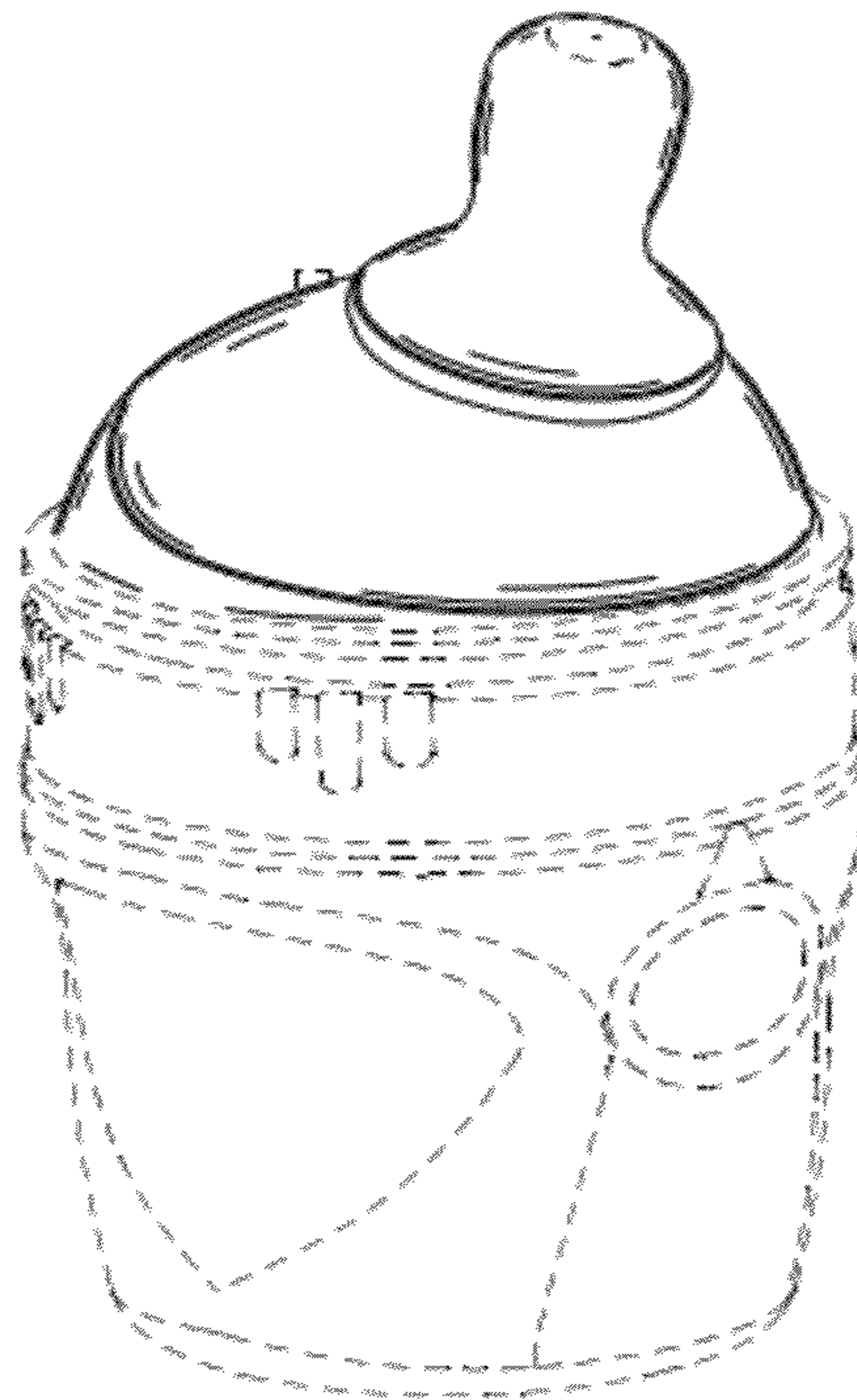


FIG. 1

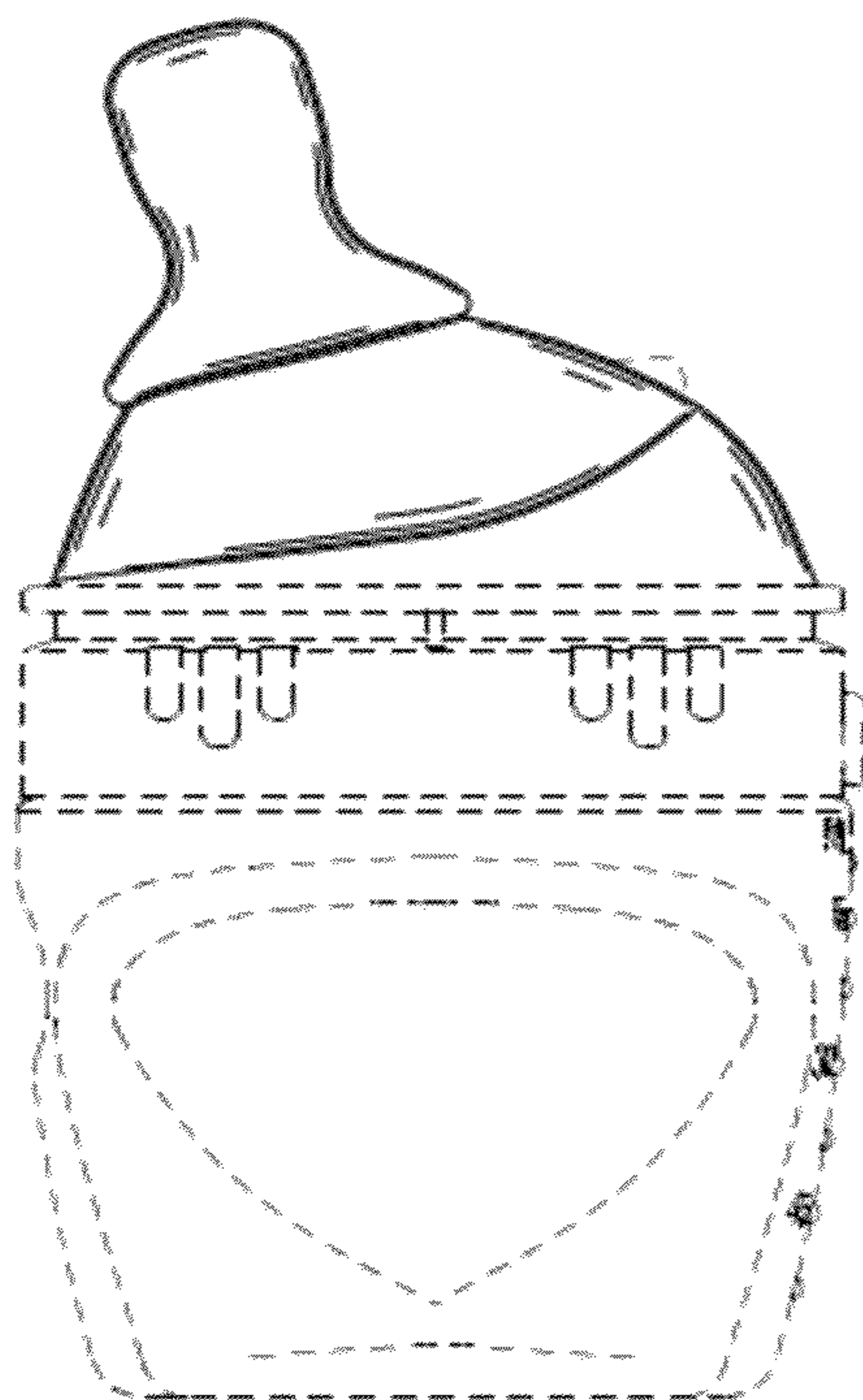


FIG. 2

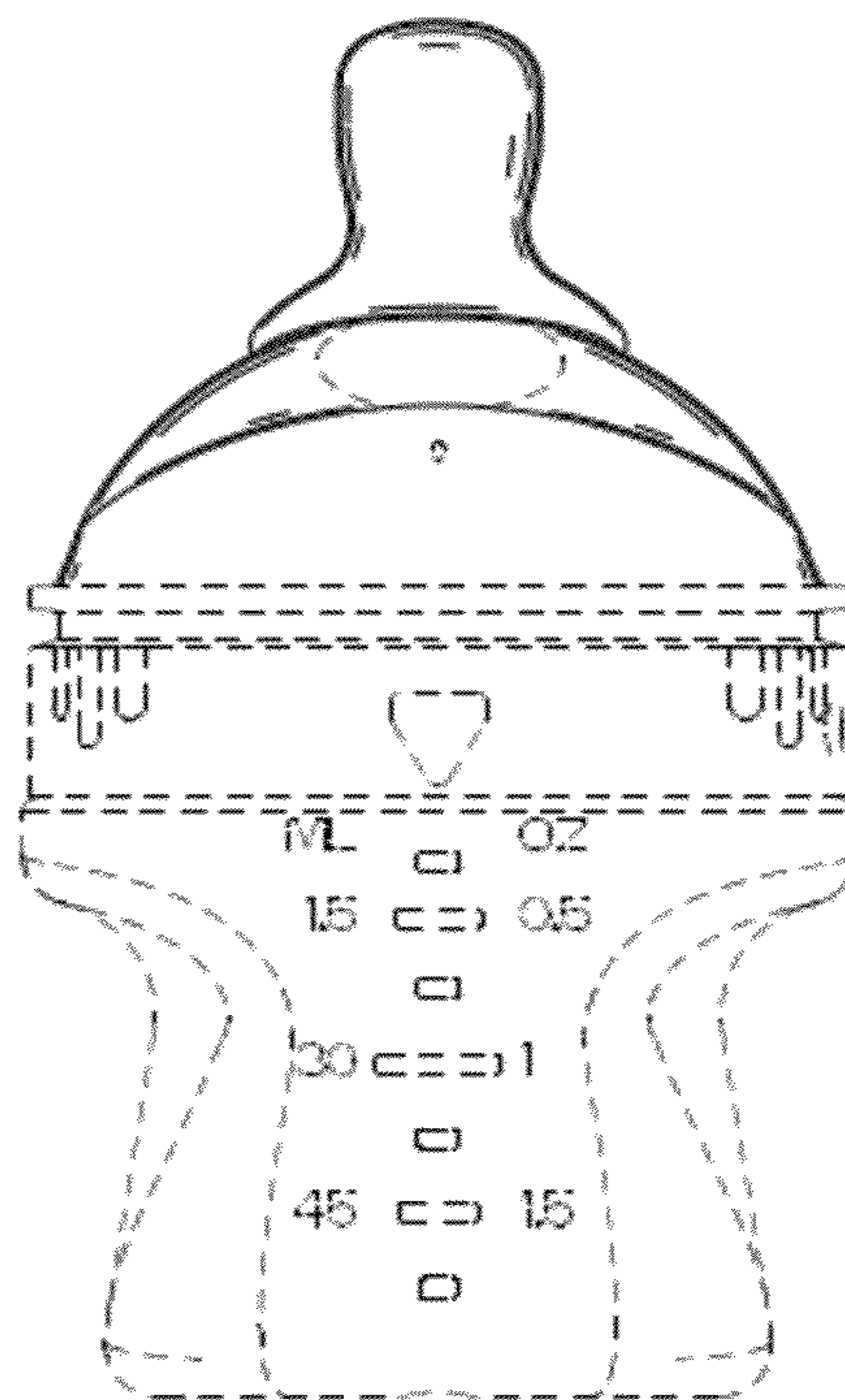


FIG. 3

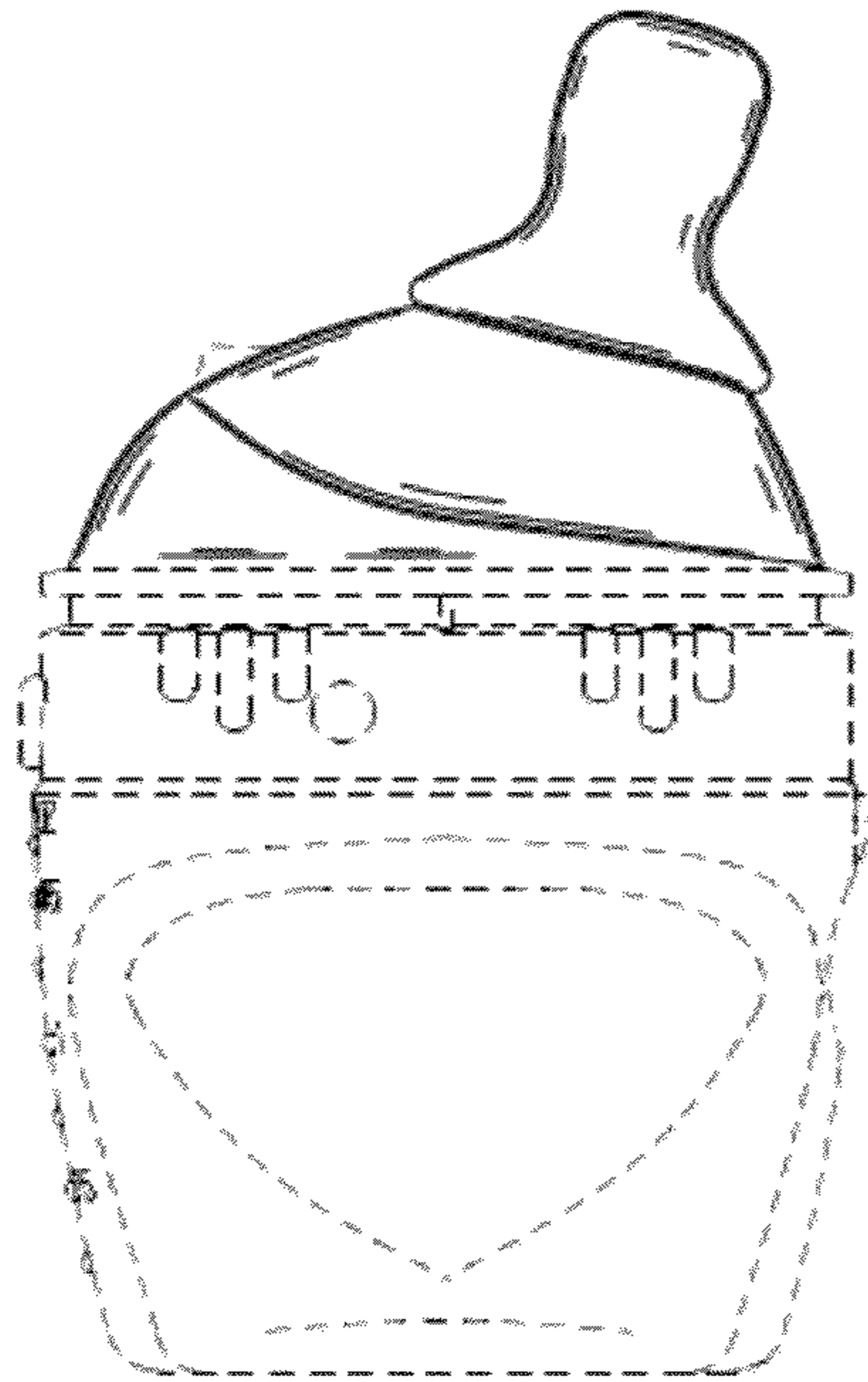


FIG. 4

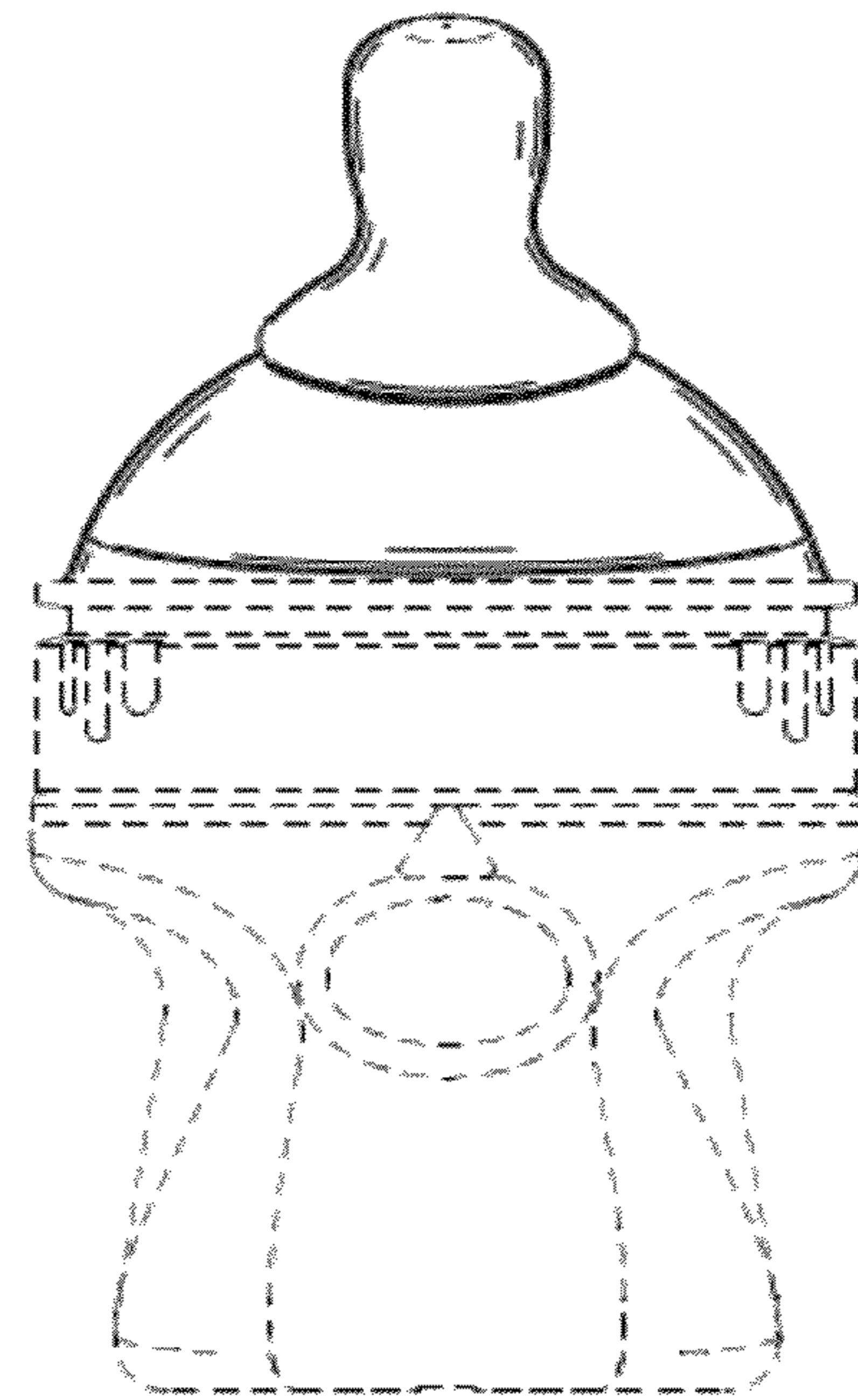


FIG. 5

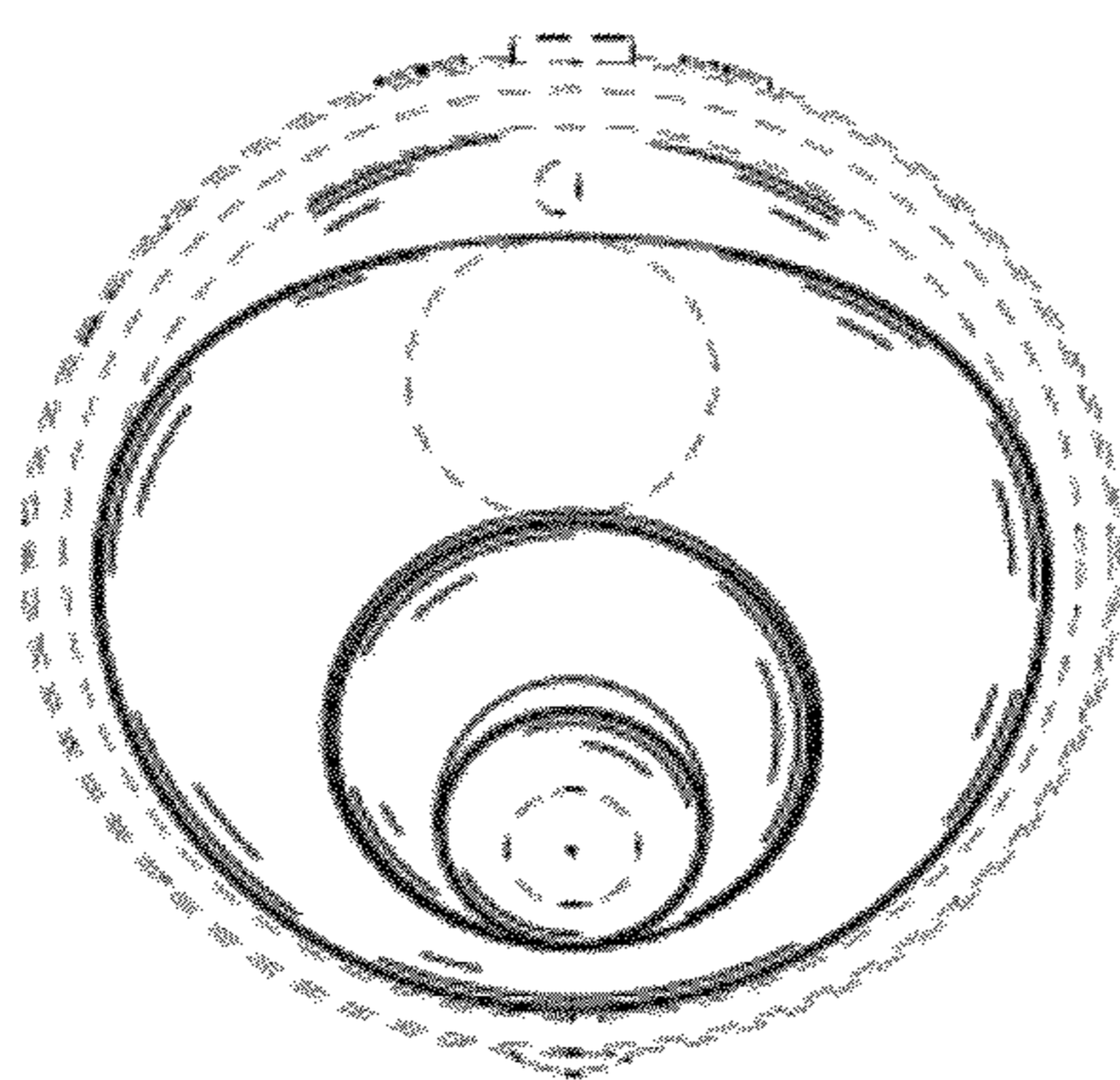


FIG. 6

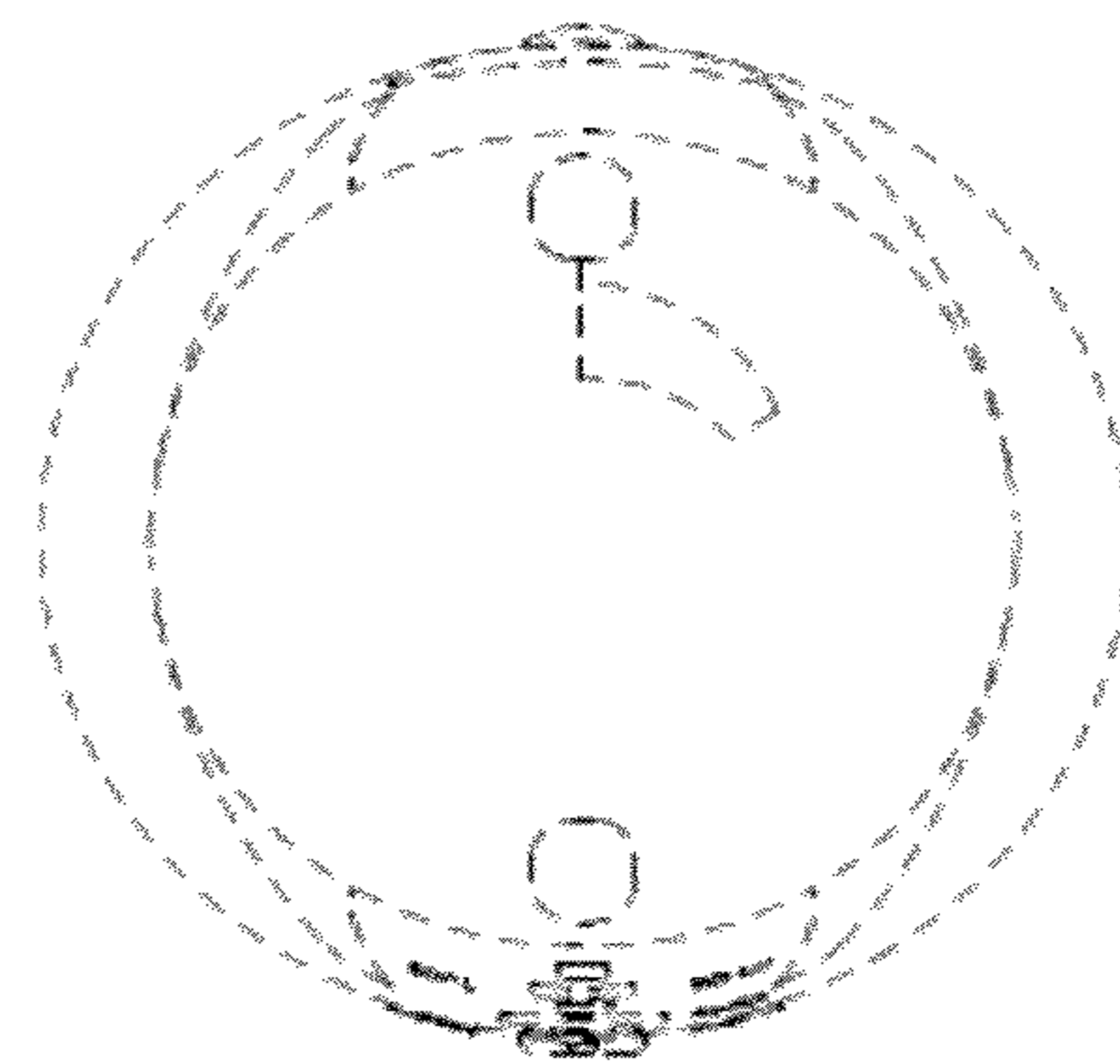


FIG. 7