



US00D667555S

(12) **United States Design Patent**  
**Boudier**

(10) **Patent No.:** **US D667,555 S**

(45) **Date of Patent:** **\*\* Sep. 18, 2012**

(54) **METABOLIC SCANNER**

(75) Inventor: **Aurélie Boudier**, Bois d'Arcy (FR)

(73) Assignee: **General Electric Company**,  
Schenectady, NY (US)

(\*\*) Term: **14 Years**

(21) Appl. No.: **29/379,741**

(22) Filed: **Nov. 23, 2010**

(51) **LOC (9) Cl.** ..... **24-01**

(52) **U.S. Cl.** ..... **D24/158**

(58) **Field of Classification Search** ..... D24/158-161,  
D24/186, 202, 209, 210; 378/4, 15, 17, 20,  
378/21, 23-27, 62, 68, 146, 195-198, 208,  
378/209; 600/1

See application file for complete search history.

(56) **References Cited**

**U.S. PATENT DOCUMENTS**

7,634,057 B2 \* 12/2009 Ein-Gal ..... 378/69  
D657,058 S \* 4/2012 Awad ..... D24/158

2011/0129063 A1 \* 6/2011 Bendahan ..... 378/57  
2012/0128124 A1 \* 5/2012 Sabol et al. .... 378/22  
2012/0130145 A1 \* 5/2012 Sabol et al. .... 600/1

\* cited by examiner

*Primary Examiner* — T. Chase Nelson

*Assistant Examiner* — Ania Aman

(74) *Attorney, Agent, or Firm* — Ziolkowski Patent  
Solutions Group, SC

(57) **CLAIM**

The ornamental design for a metabolic scanner, as shown and  
described herein.

**DESCRIPTION**

FIG. 1 is a rear perspective view of a metabolic scanner  
showing my new design.

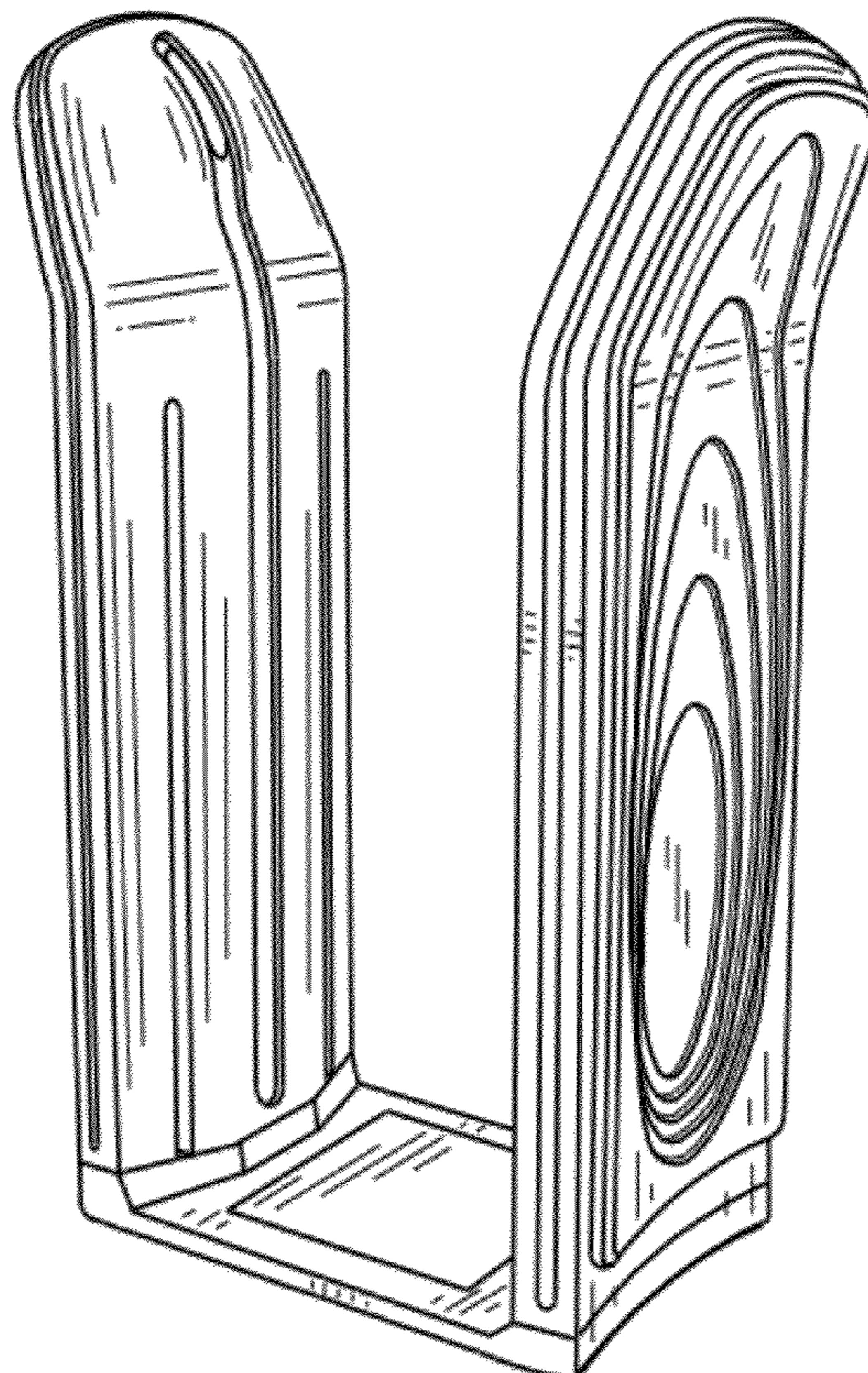
FIG. 2 is a front perspective view of the metabolic scanner of  
FIG. 1.

FIG. 3 is a side elevational view of the metabolic scanner of  
FIG. 1.

FIG. 4 is a front elevational view of the metabolic scanner of  
FIG. 1; and,

FIG. 5 is a top plan view of the metabolic scanner of FIG. 1.

**1 Claim, 3 Drawing Sheets**





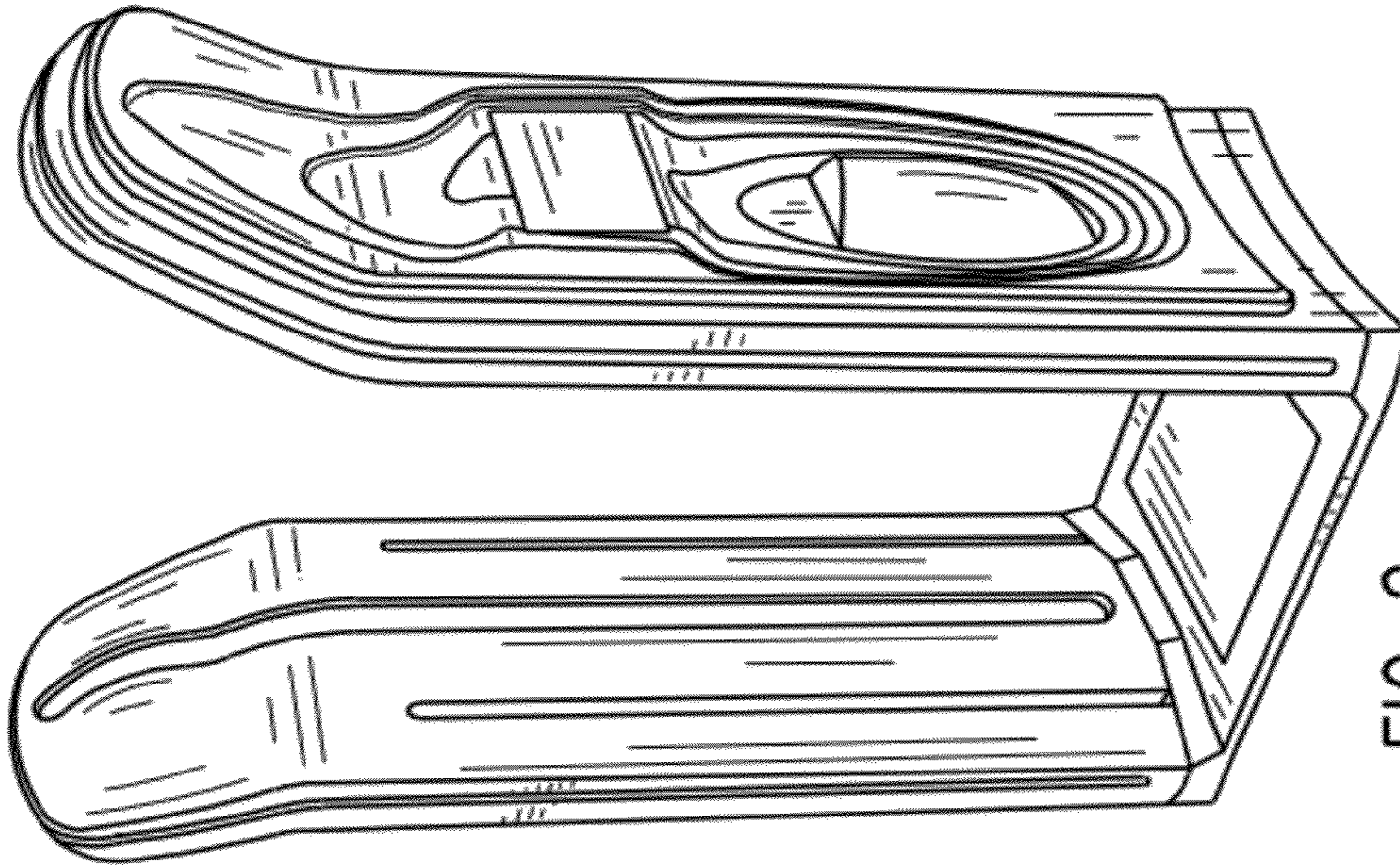


FIG. 1

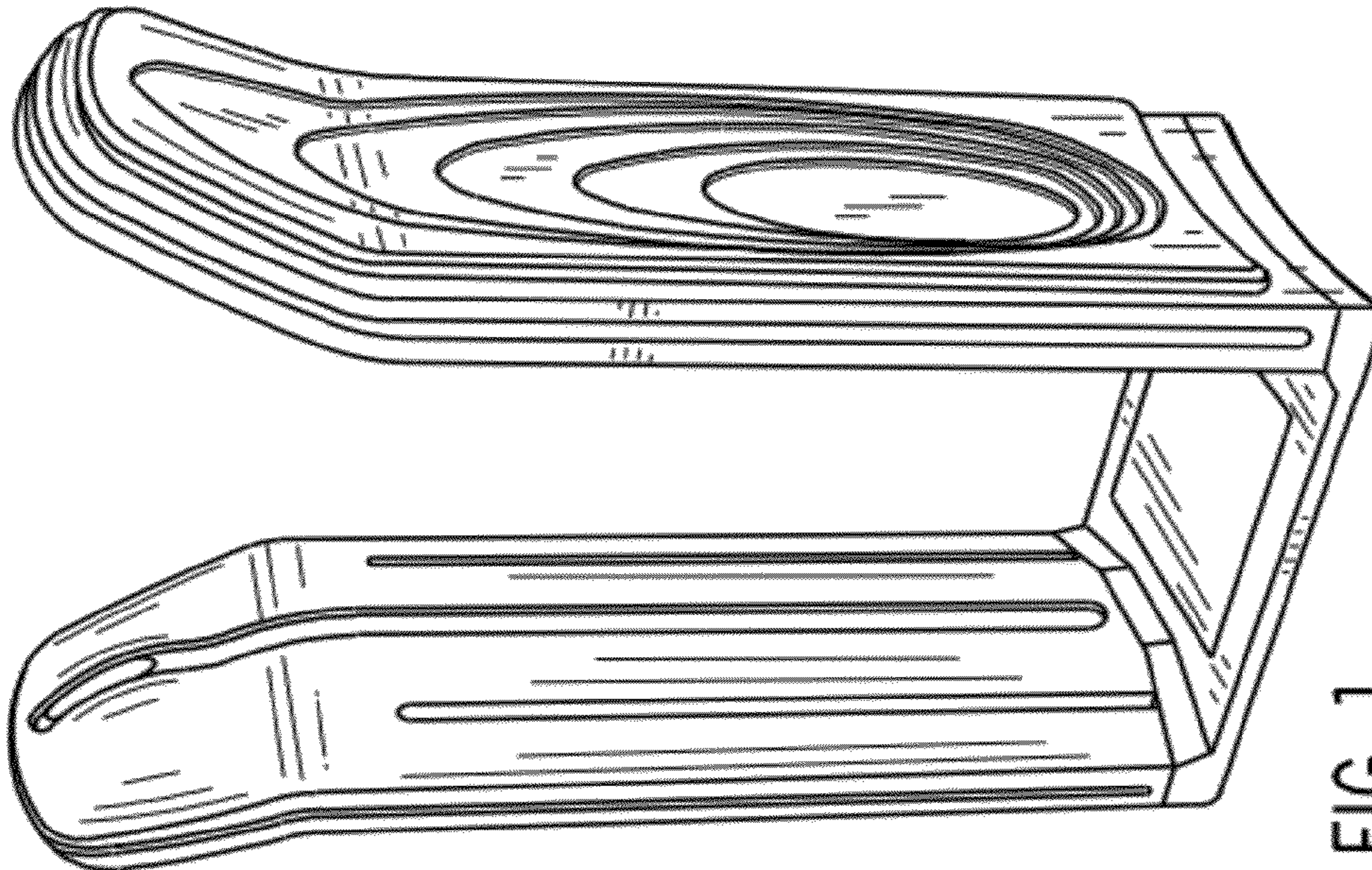


FIG. 2



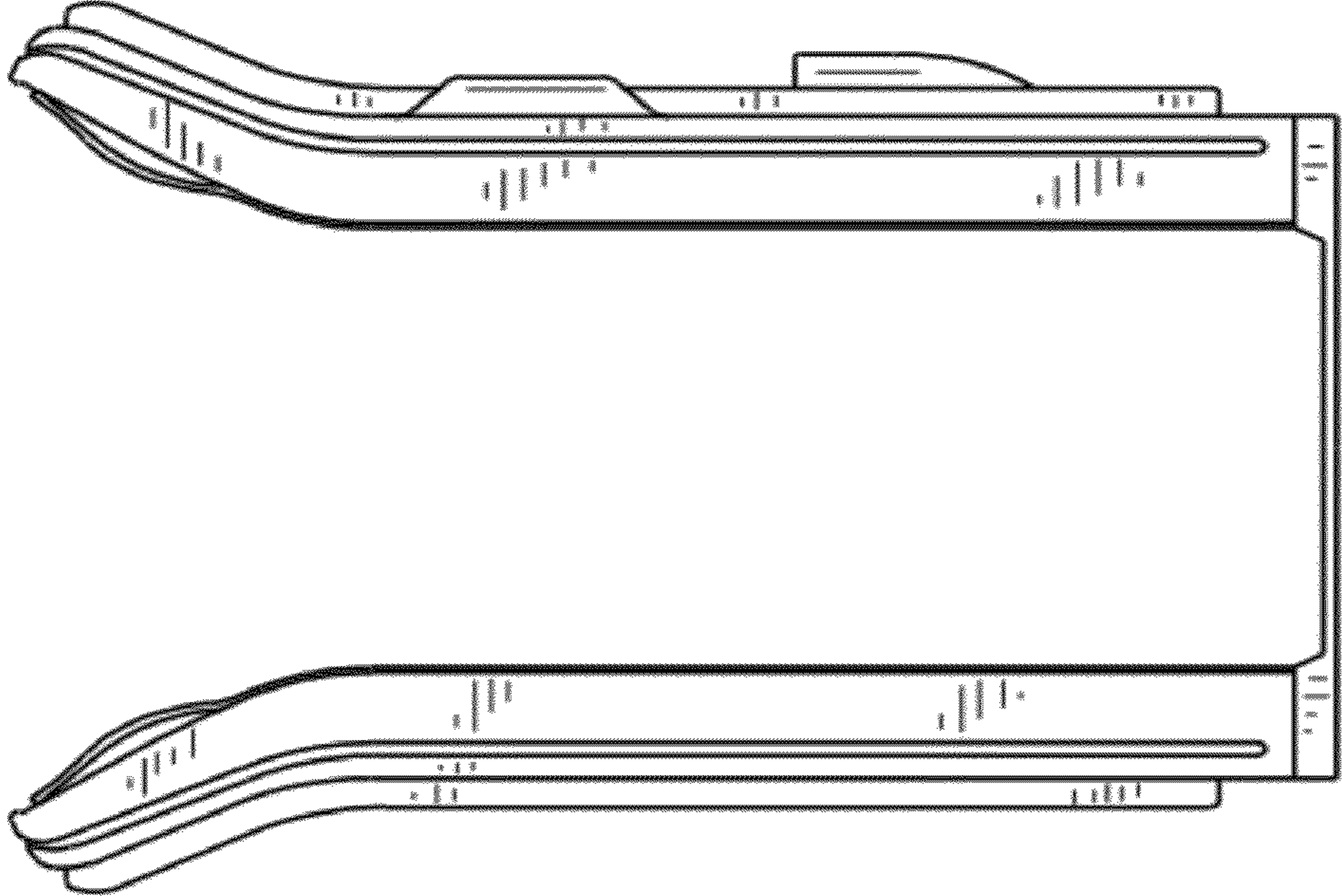


FIG. 4

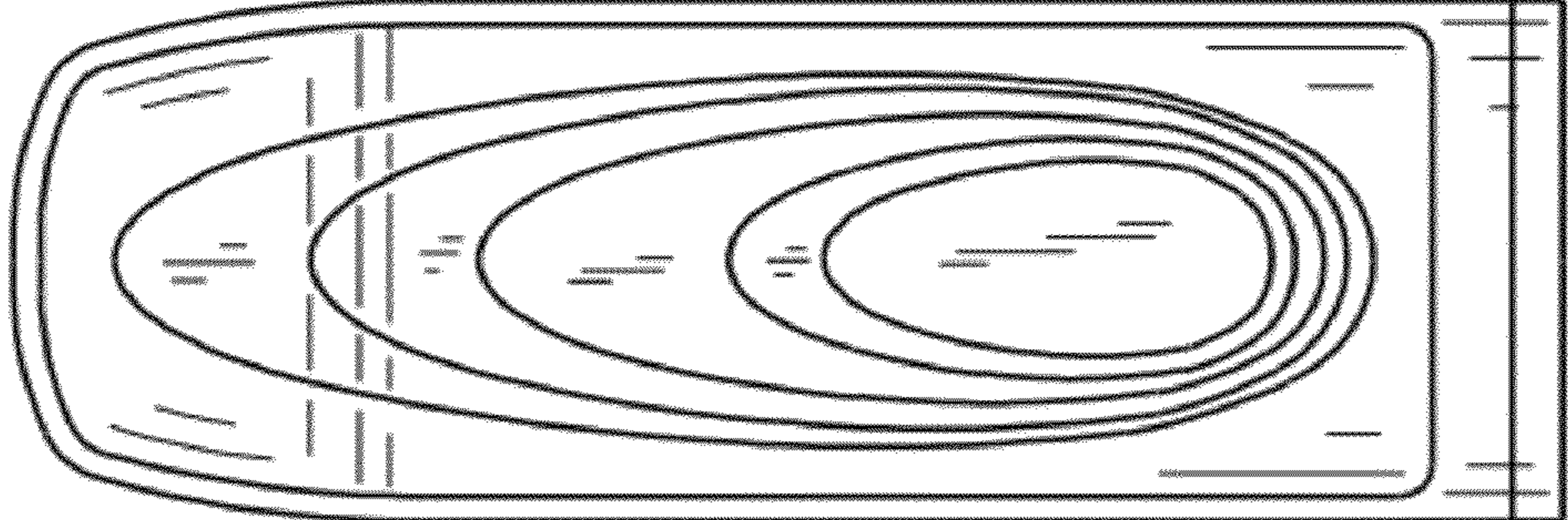


FIG. 3

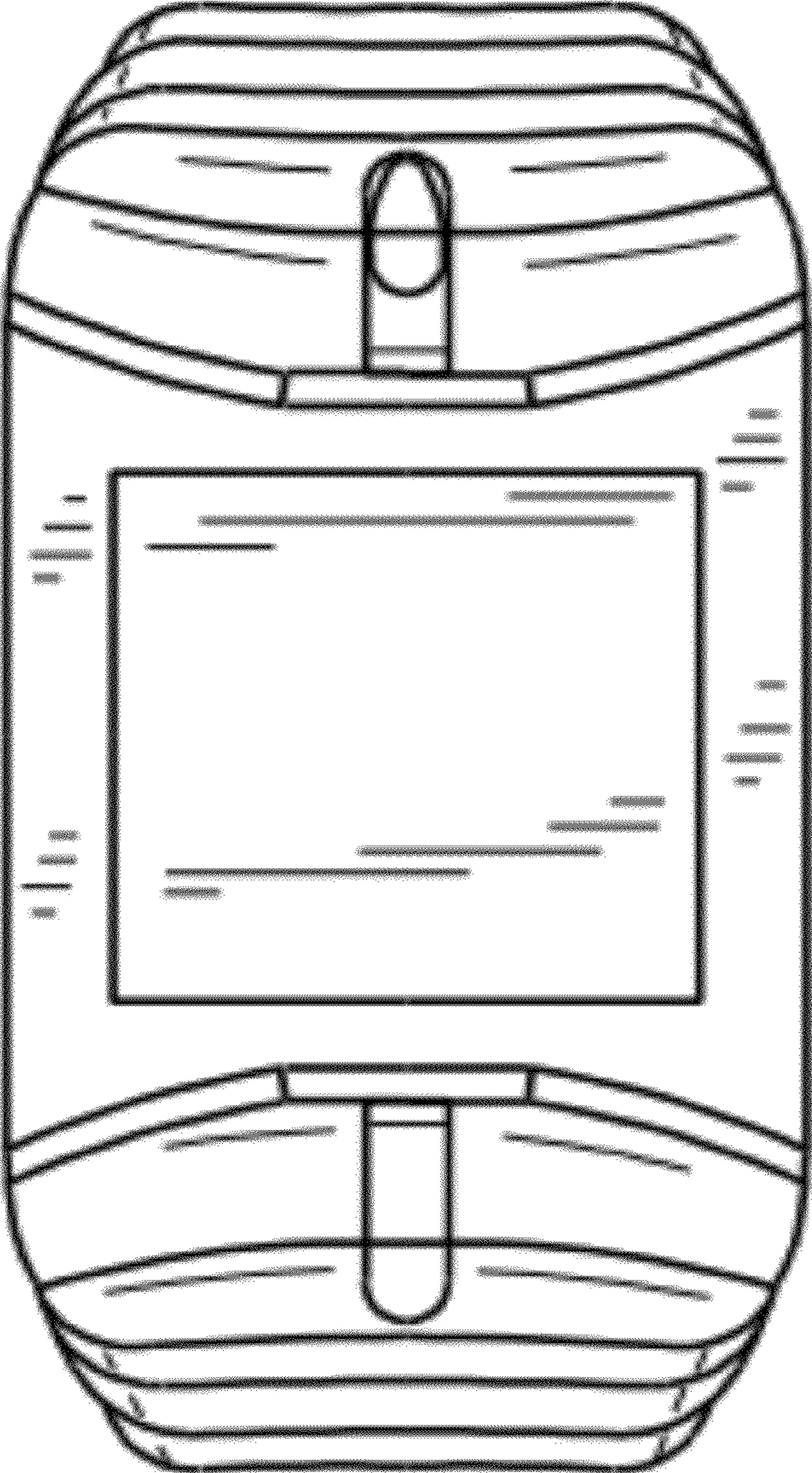


FIG. 5