



US00D667554S

(12) **United States Design Patent**
Casabonne

(10) **Patent No.:** **US D667,554 S**
(45) **Date of Patent:** **** Sep. 18, 2012**

(54) **DENTAL AIRPOLISHER GUN**
(75) Inventor: **Thierry Casabonne**, Bordeaux (FR)
(73) Assignee: **Societe Our la Conception des Applications des Techniques Electroniques-Satelec**, Merignac (FR)

(**) Term: **14 Years**
(21) Appl. No.: **29/382,570**
(22) Filed: **Jan. 5, 2011**

(30) **Foreign Application Priority Data**
Jul. 5, 2010 (EM) 001728023-0002
(51) **LOC (9) Cl.** **24-02**
(52) **U.S. Cl.** **D24/152; D24/117; D24/146**
(58) **Field of Classification Search** D24/152-154,
D24/176-177, 117; 433/80-85, 87-89, 102,
433/114, 125-127, 141-142
See application file for complete search history.

(56) **References Cited**
U.S. PATENT DOCUMENTS
3,411,213 A * 11/1968 Spinello 433/89
D224,312 S * 7/1972 Webb et al. D24/152
(Continued)

FOREIGN PATENT DOCUMENTS
EM 001728023-0001 * 7/2010
(Continued)

OTHER PUBLICATIONS
Air Polisher from Harry J. Bosworth company. 2005-2012.
[Retrieved on Mar. 12, 2012]. Retrieved from the Internet: <URL:
<http://www.dentalcompar.com/4744-Dental-Air-Polisher-Air-Pro-phylaxis-Machines/3548...>>.*
(Continued)

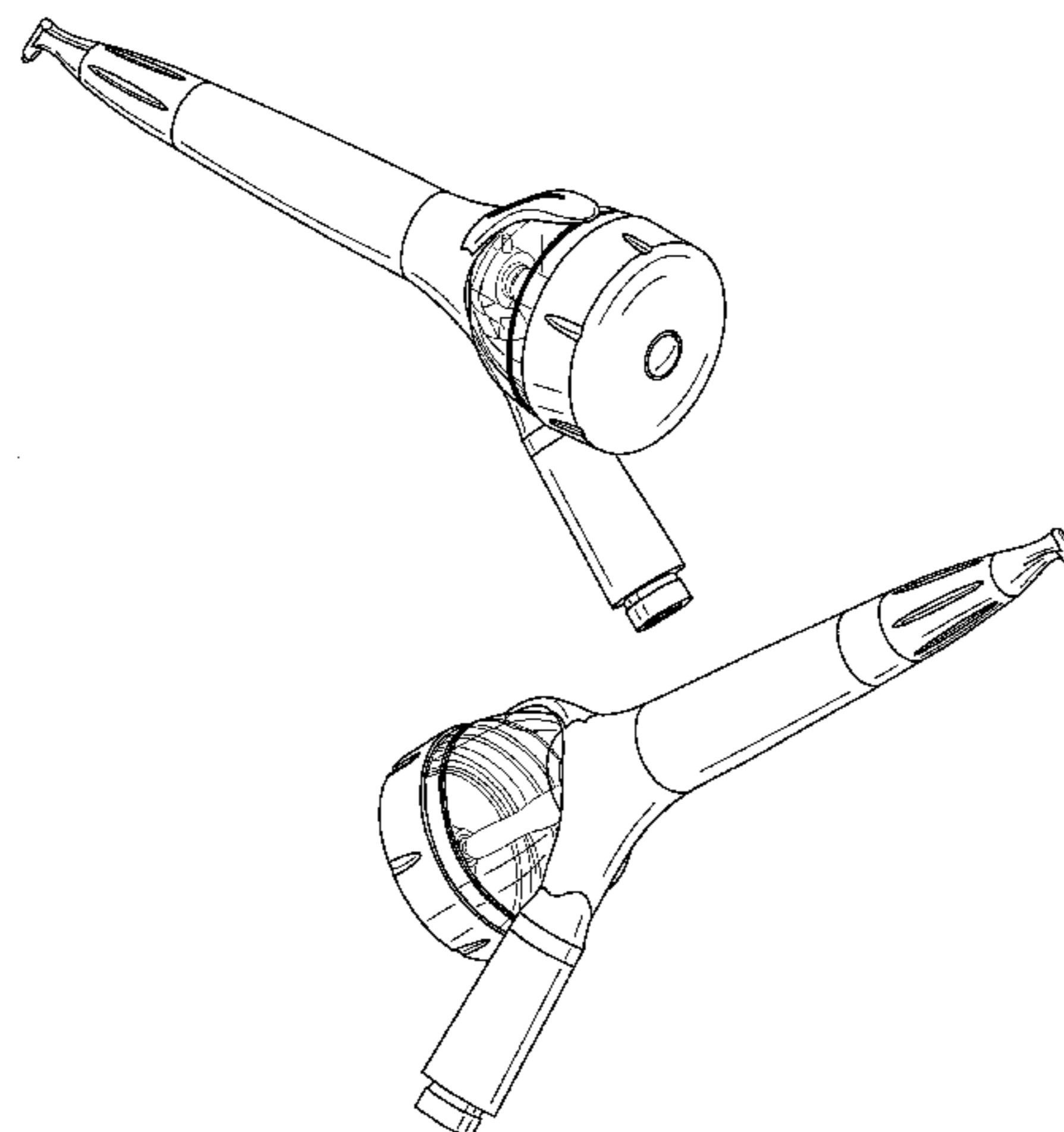
Primary Examiner — Wan Laymon
(74) *Attorney, Agent, or Firm* — Harness, Dickey & Pierce,
P.L.C.

(57) **CLAIM**
The ornamental design for a dental airpolisher gun, as shown and described.

DESCRIPTION
FIG. 1 is a perspective view of a first embodiment of a dental airpolisher gun;
FIG. 2 is a lower perspective view thereof;
FIG. 3 is another lower perspective view thereof;
FIG. 4 is a side elevation view thereof;
FIG. 5 is another side elevation view thereof;
FIG. 6 is a front elevation view thereof;
FIG. 7 is a back elevation view thereof;
FIG. 8 is a top plan view thereof;
FIG. 9 is a bottom plan view thereof;
FIG. 10 is a perspective view of a second embodiment of a dental airpolisher gun;
FIG. 11 is a lower perspective view of the dental airpolisher gun shown in FIG. 10;
FIG. 12 is another lower perspective view of the dental airpolisher gun shown in FIG. 10;
FIG. 13 is a side elevation view of the dental airpolisher gun shown in FIG. 10;
FIG. 14 is another side elevation view of the dental airpolisher gun shown in FIG. 10;
FIG. 15 is a front elevation view of the dental airpolisher gun shown in FIG. 10;
FIG. 16 is a back elevation view of the dental airpolisher gun shown in FIG. 10;
FIG. 17 is a top plan view of the dental airpolisher gun shown in FIG. 10; and,
FIG. 18 is a bottom plan view of the dental airpolisher gun shown in FIG. 10.

The claimed design is a dental airpolisher gun, which is a dental spray gun design to polish teeth. The dental airpolisher guns shown in FIGS. 1-9 and FIGS. 10-18, for example, generally include a nozzle, spray gun, and powder tank. In an example use, hydrogen peroxide in the powder tank may be propelled to the surface of the teeth through the nozzle. Then, the excess of the hydrogen peroxide may be drawn up with the spray gun.

1 Claim, 18 Drawing Sheets



US D667,554 S

Page 2

U.S. PATENT DOCUMENTS

3,703,037 A * 11/1972 Robinson D24/146
4,648,840 A * 3/1987 Conger, Sr. 433/125
D292,314 S * 10/1987 Conger, Sr. D24/117
4,957,483 A * 9/1990 Gonser et al. 433/126
5,090,904 A * 2/1992 Bailey 433/88
RE34,997 E * 7/1995 Kraenzle 433/126
5,941,702 A * 8/1999 Sharp et al. 433/88
6,439,966 B2 * 8/2002 Bruns et al. 433/125
6,743,016 B1 * 6/2004 Lynch et al. 433/80
D499,486 S * 12/2004 Kuhn et al. D24/152
RE39,714 E * 7/2007 Bruns et al. 433/125
D592,308 S * 5/2009 Thomssen et al. D24/152
7,993,135 B2 * 8/2011 Nesbitt et al. 433/88
2009/0081610 A1 * 3/2009 Hayman et al. 433/125
2010/0151413 A1 * 6/2010 Andersson et al. 433/88

FOREIGN PATENT DOCUMENTS

EM 001728023-0002 7/2010

OTHER PUBLICATIONS

Air N Go Air Polisher. {Retrieved on Mar. 12, 2012}. Retrieved from the Internet: <URL: <http://www.airngoconcept.com/polisher/fiche-technique.php>>.*

Satelec Acteon, "Air N Go—Beauty N Health—The Supra and Perio Double Effect," 2010 (16 pages).

* cited by examiner

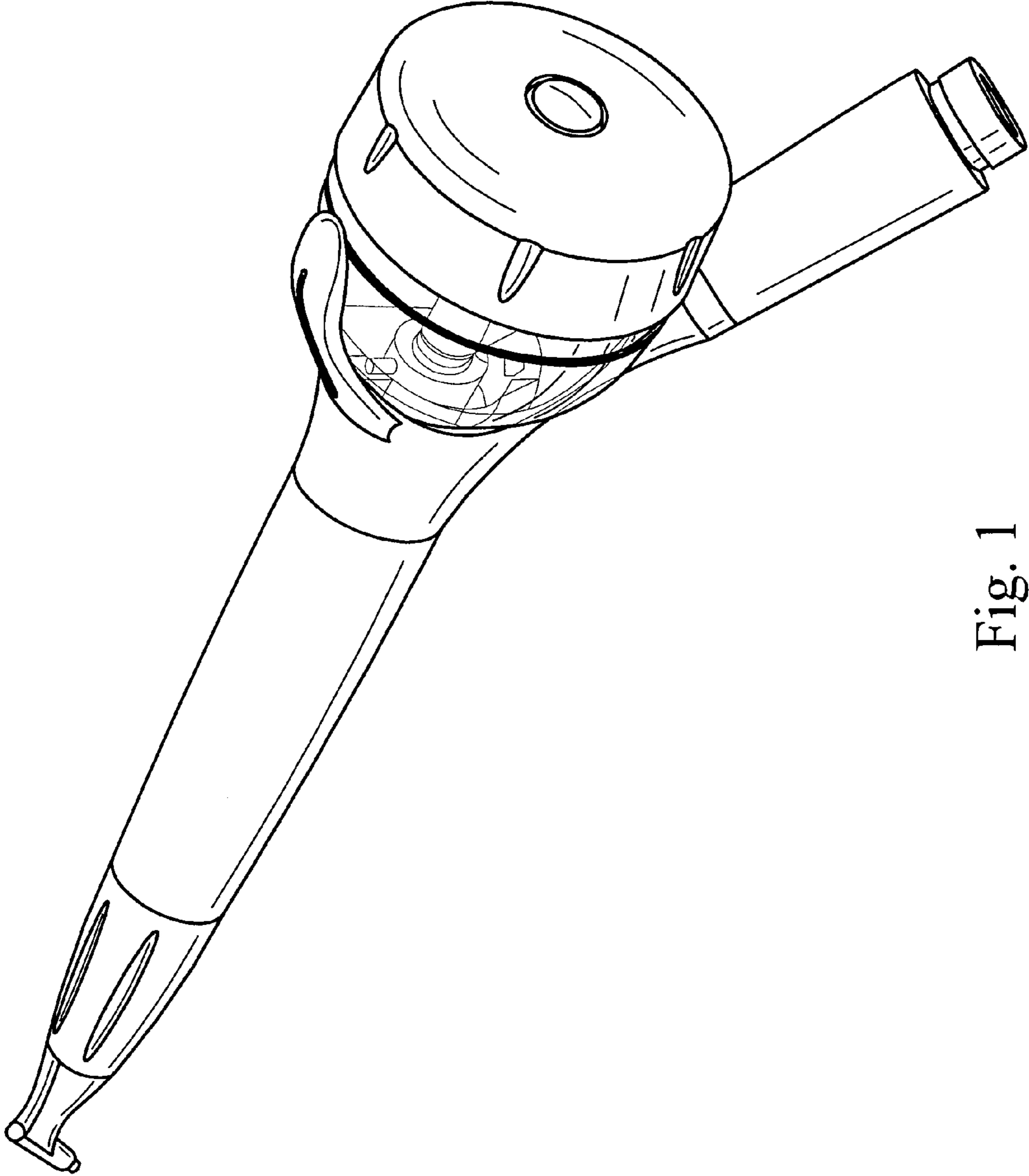


Fig. 1

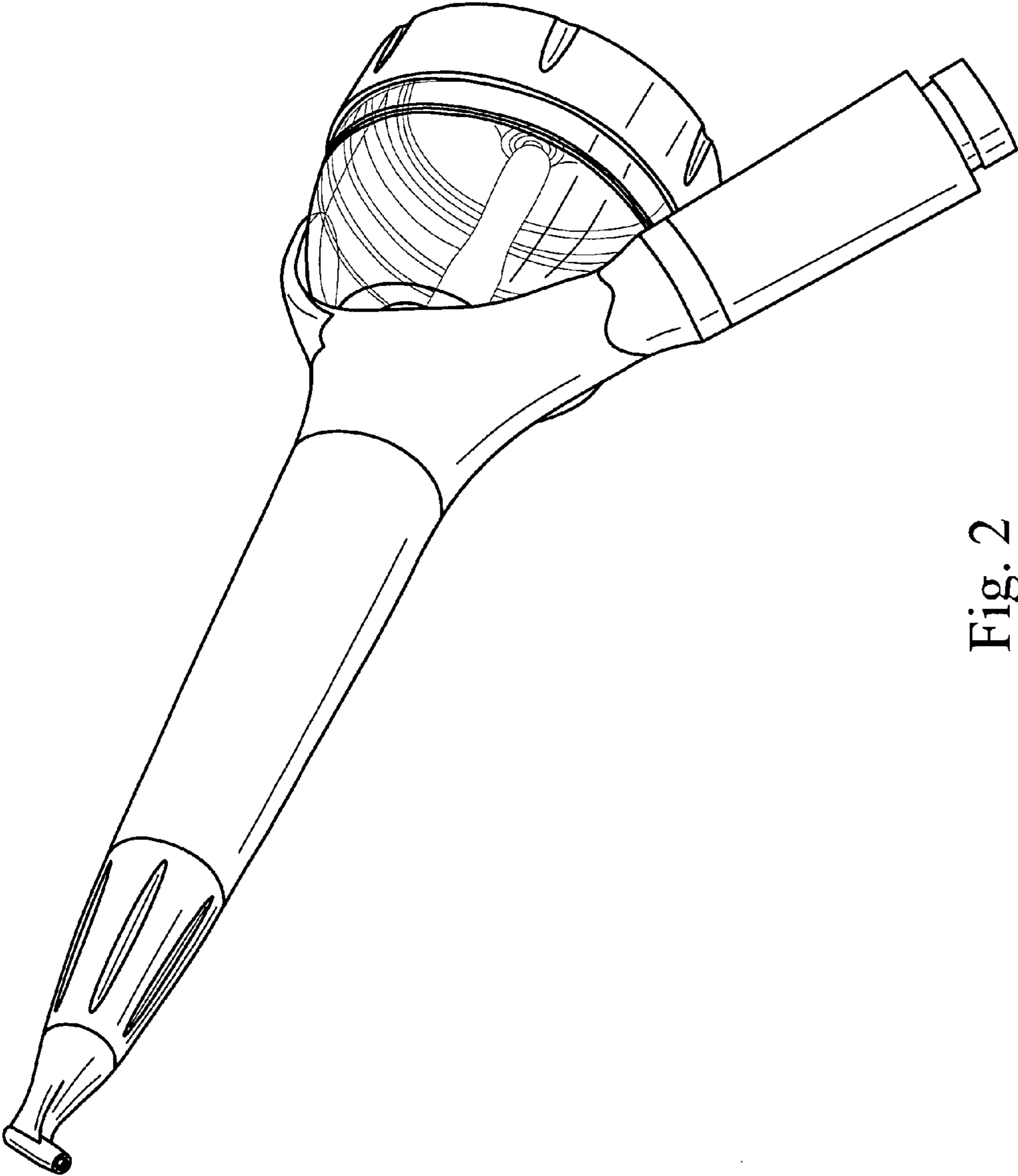


Fig. 2

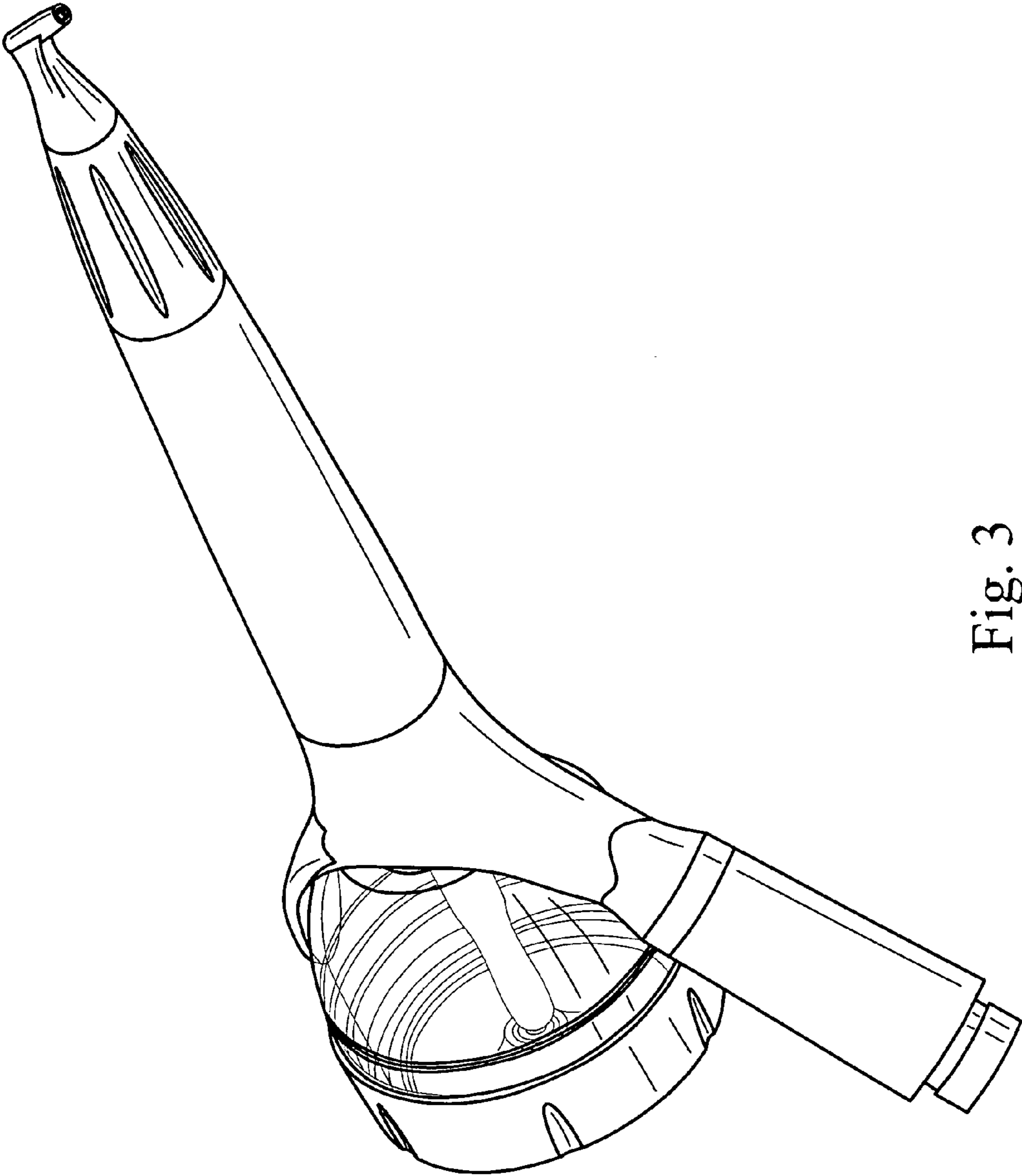


Fig. 3

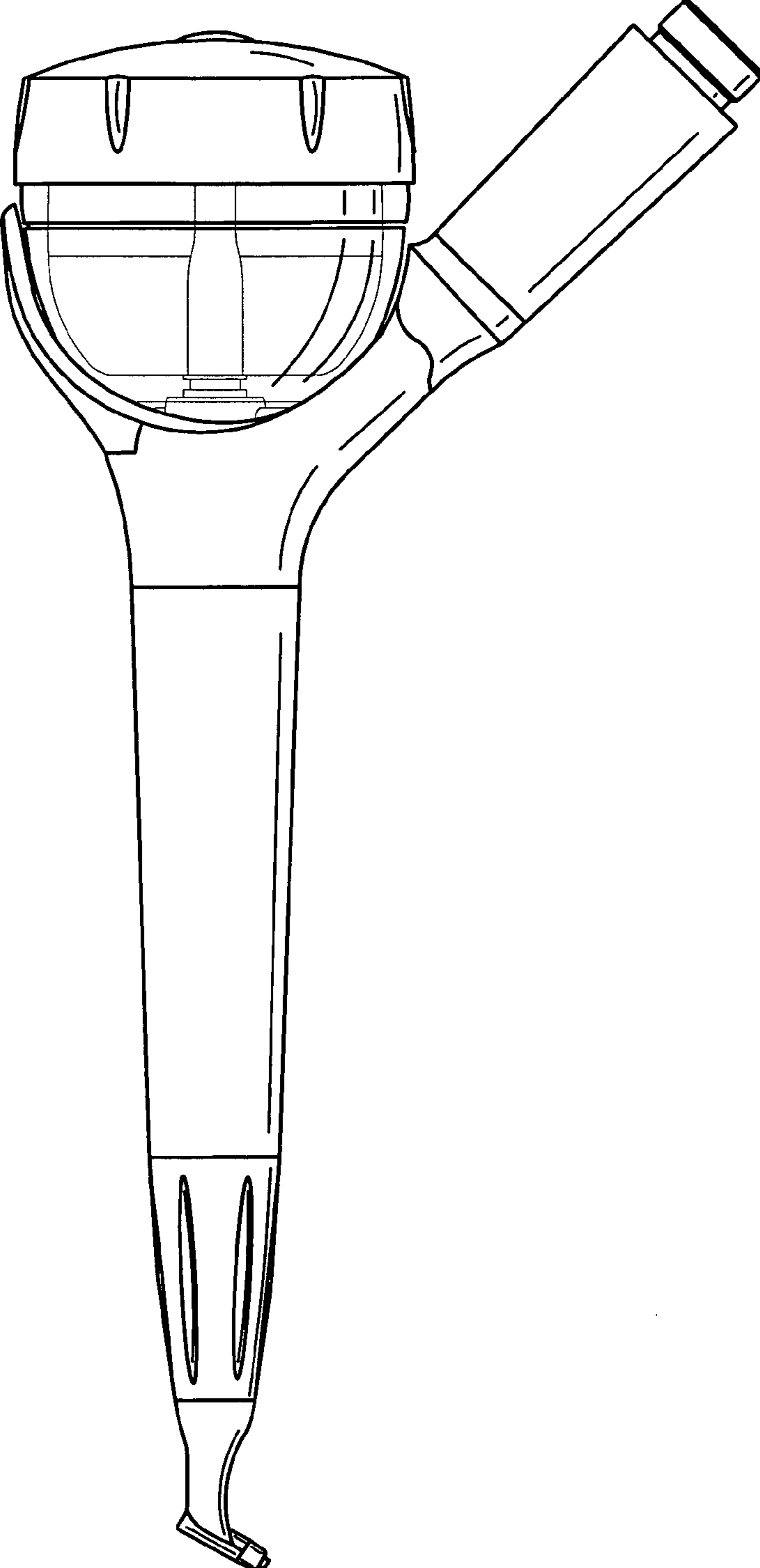


Fig. 4

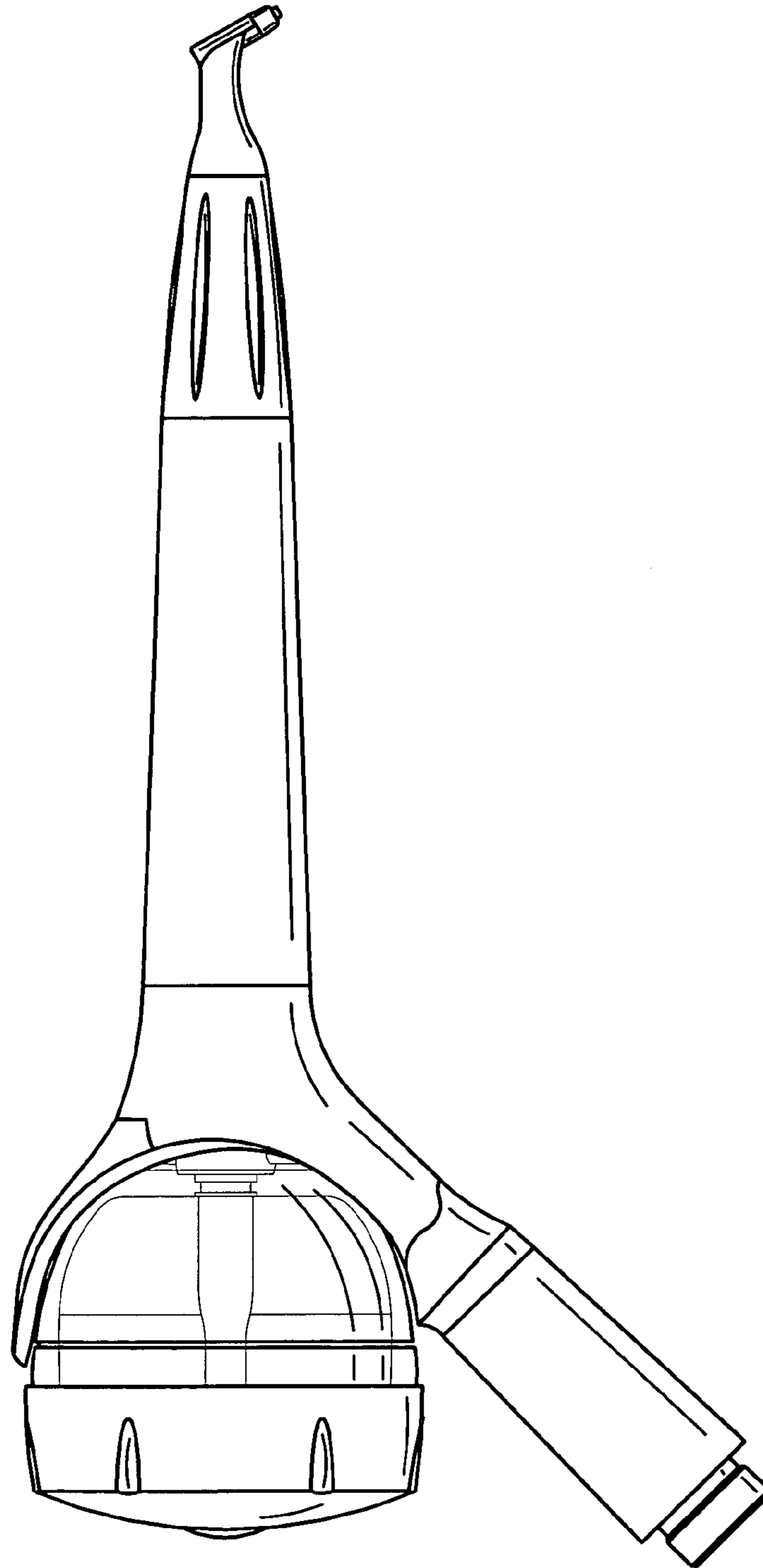


Fig. 5

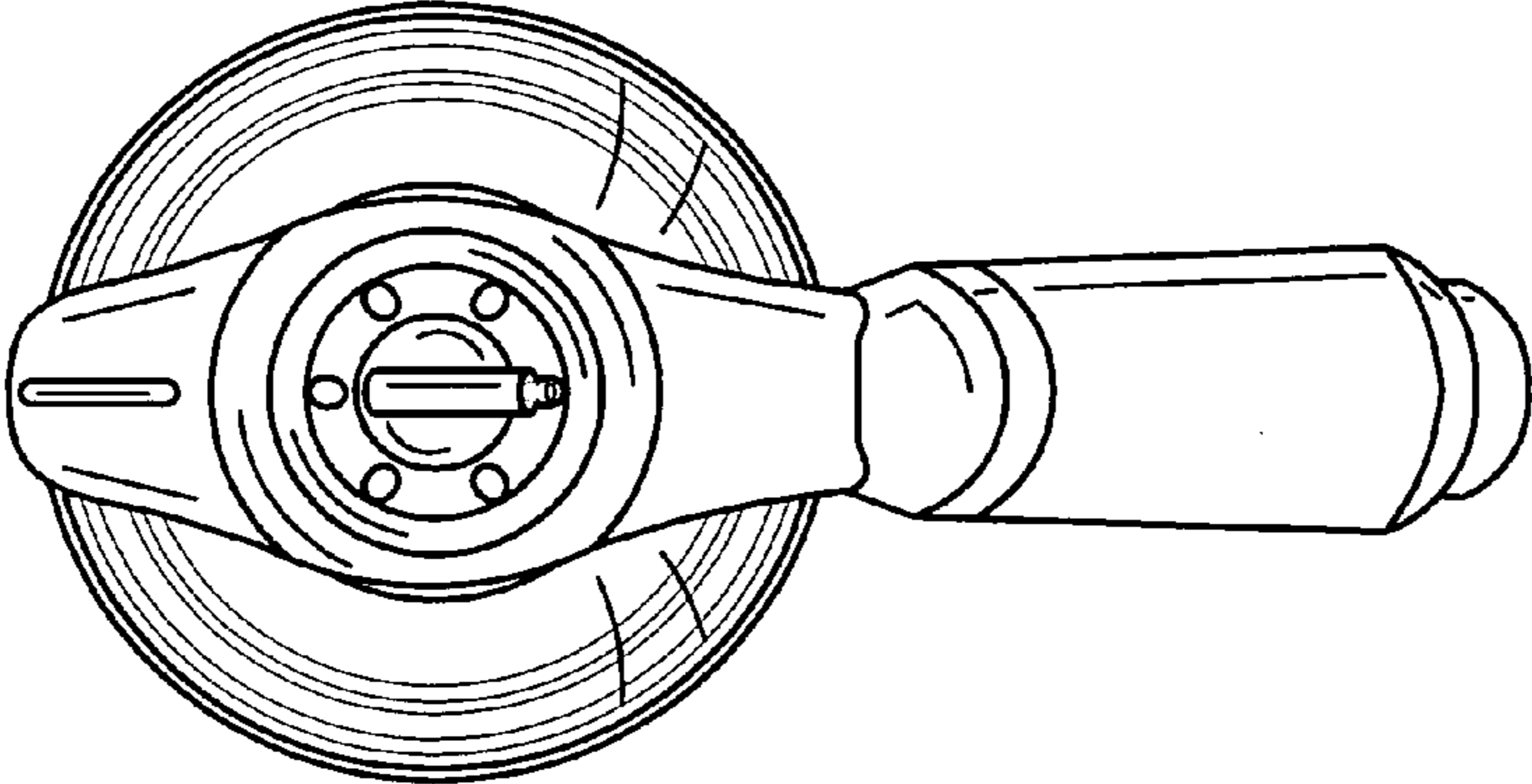


Fig. 6

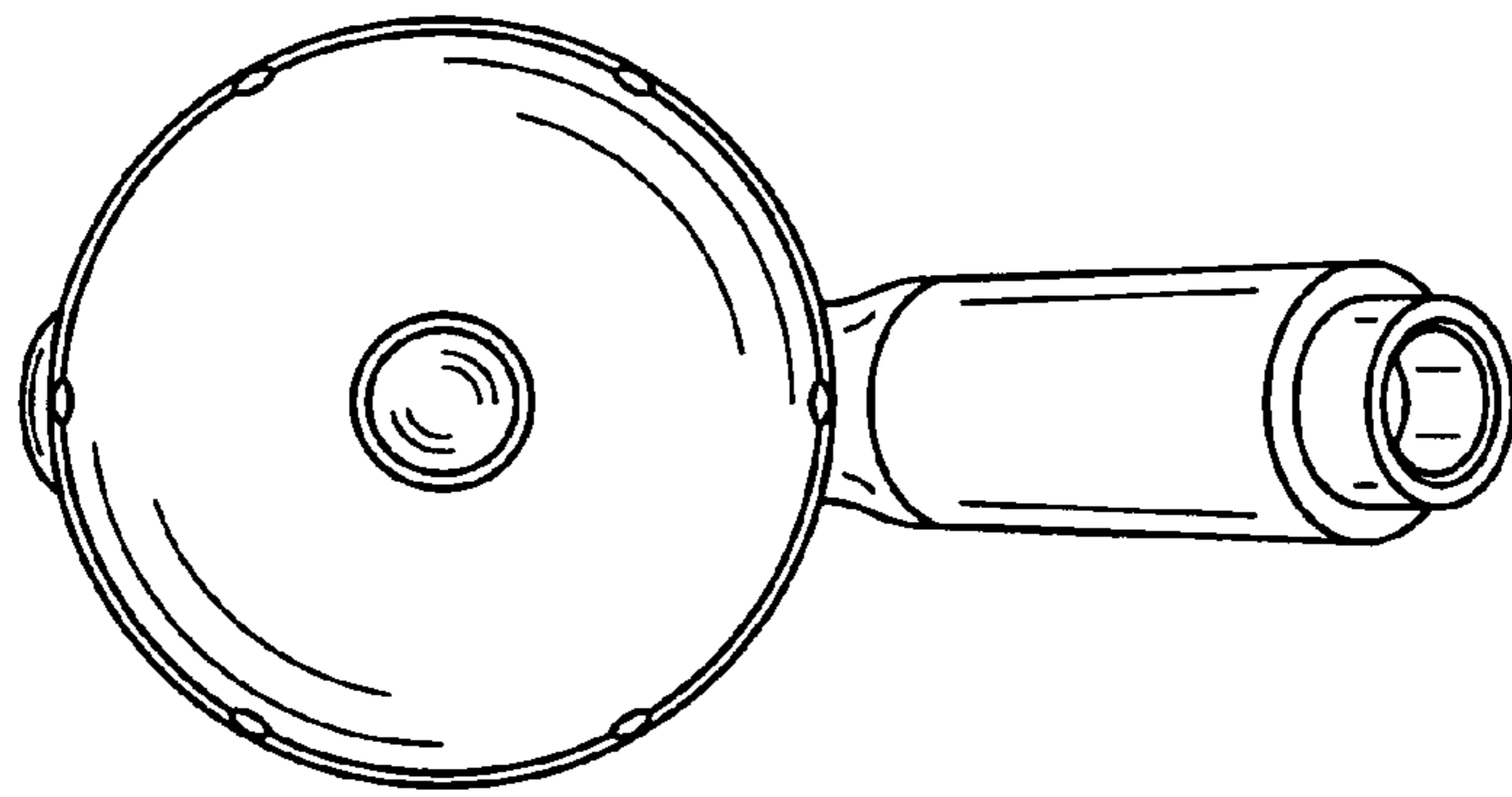


Fig. 7

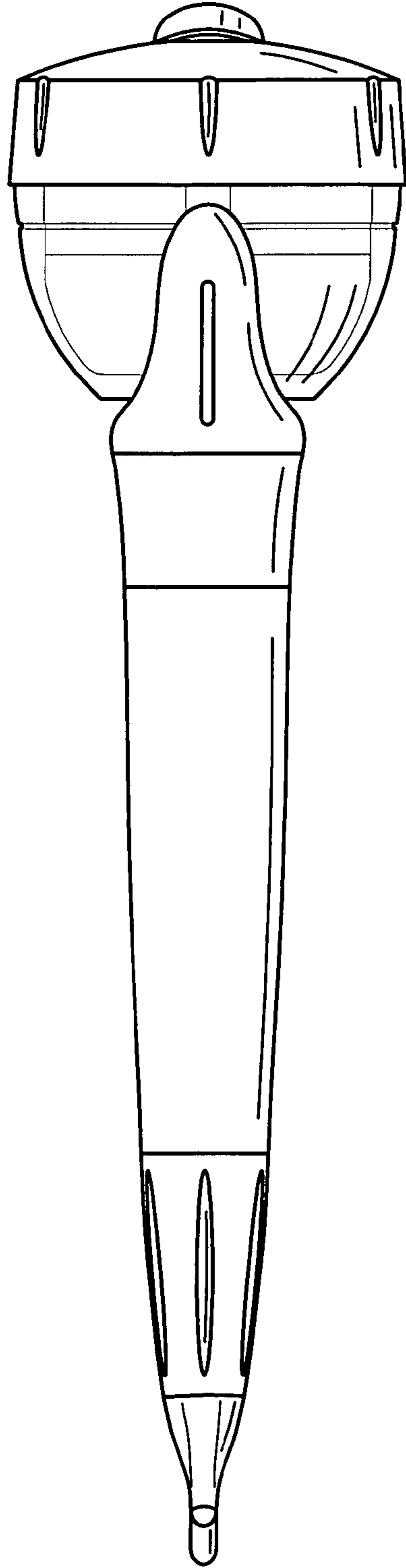


Fig. 8

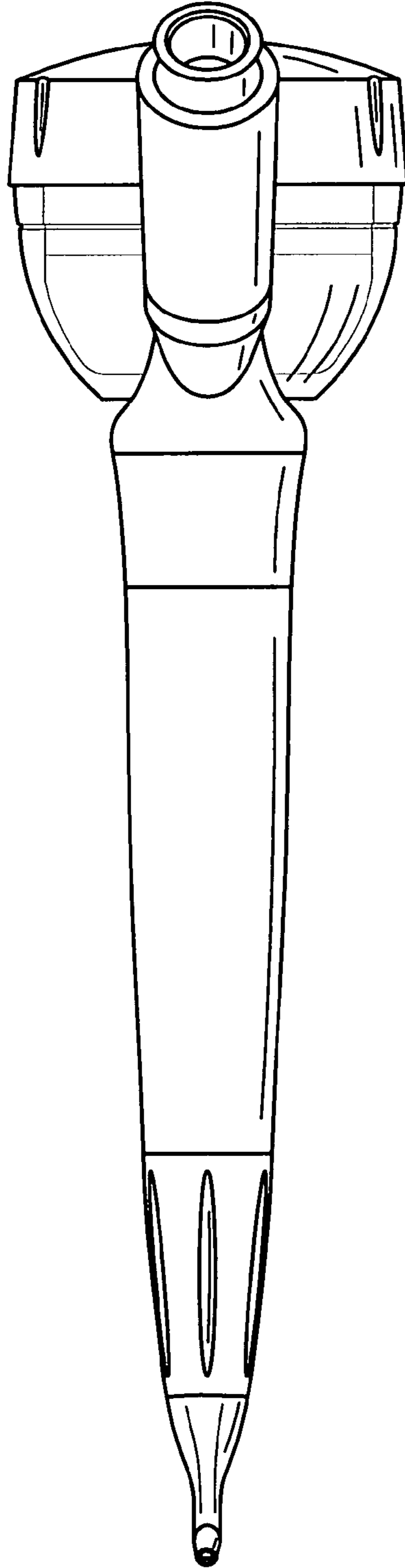


Fig. 9

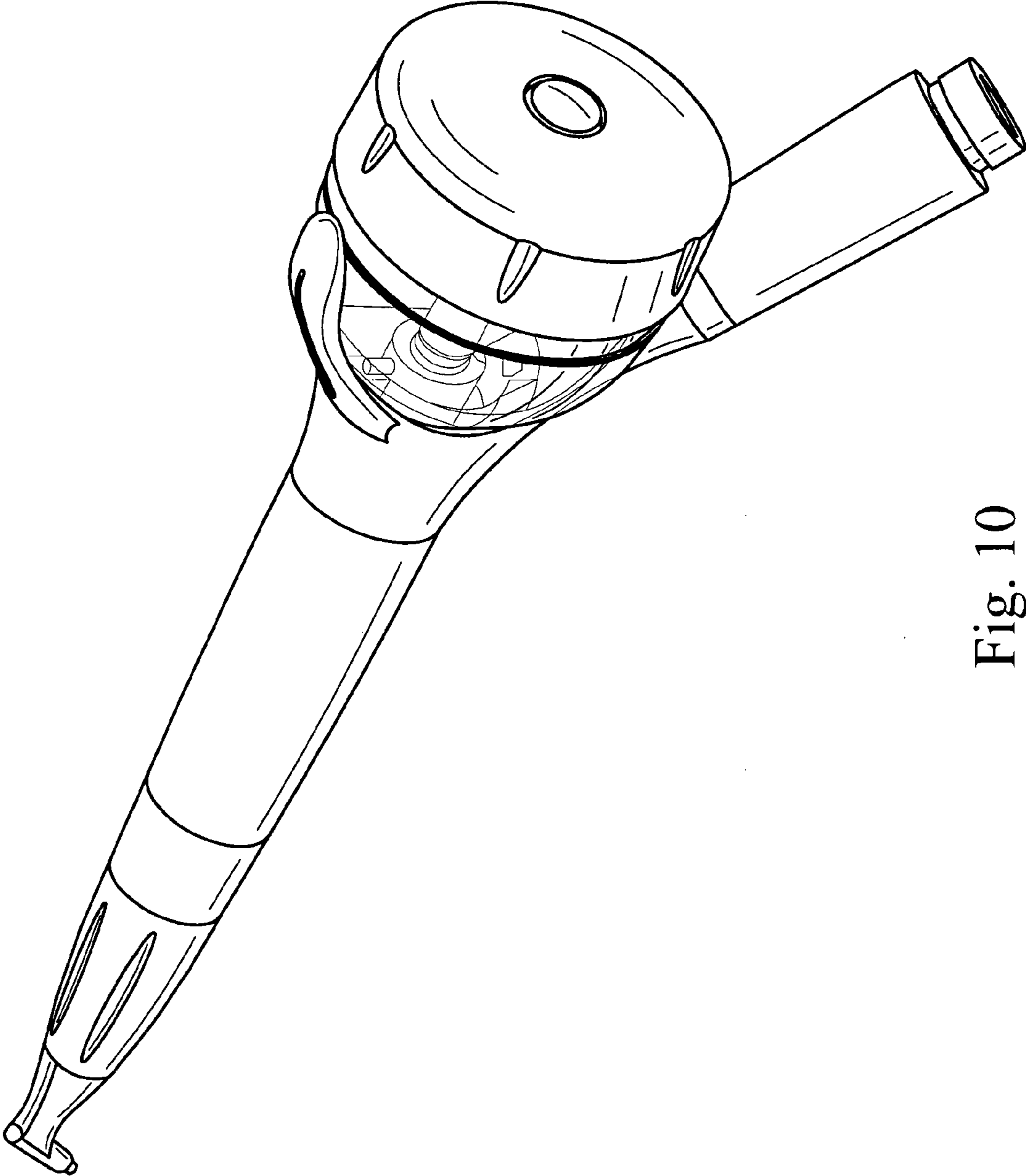


Fig. 10

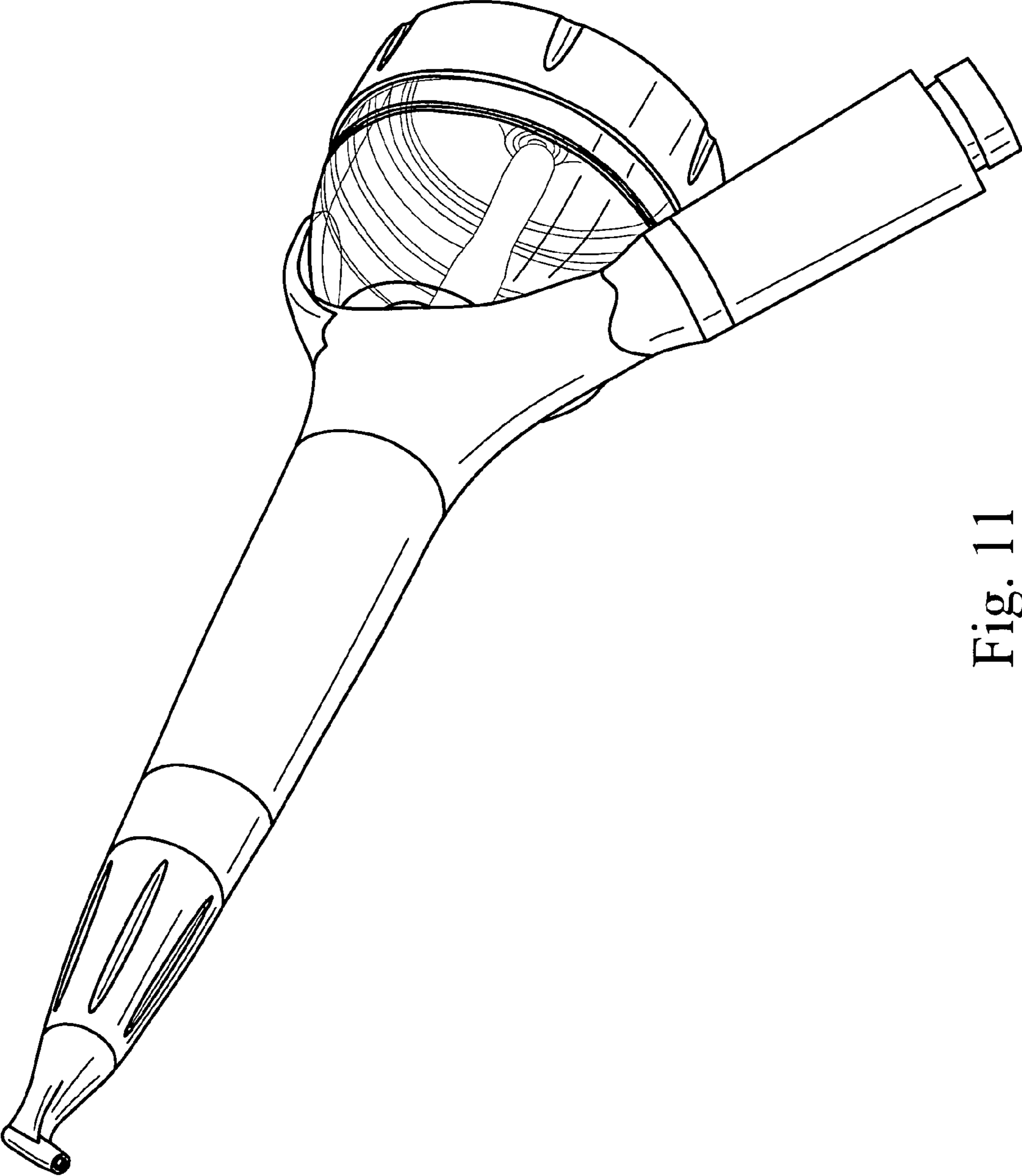


Fig. 11

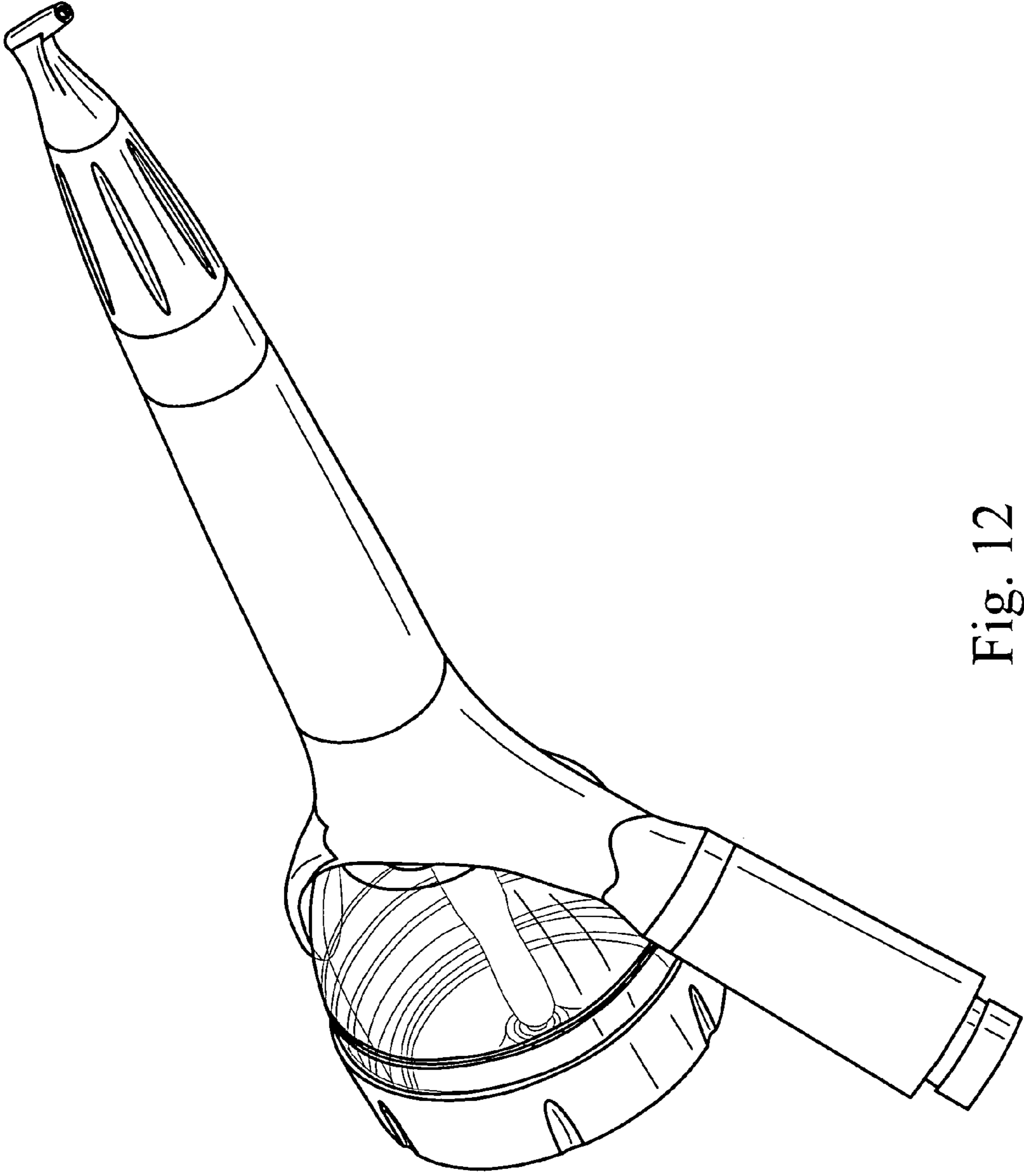


Fig. 12

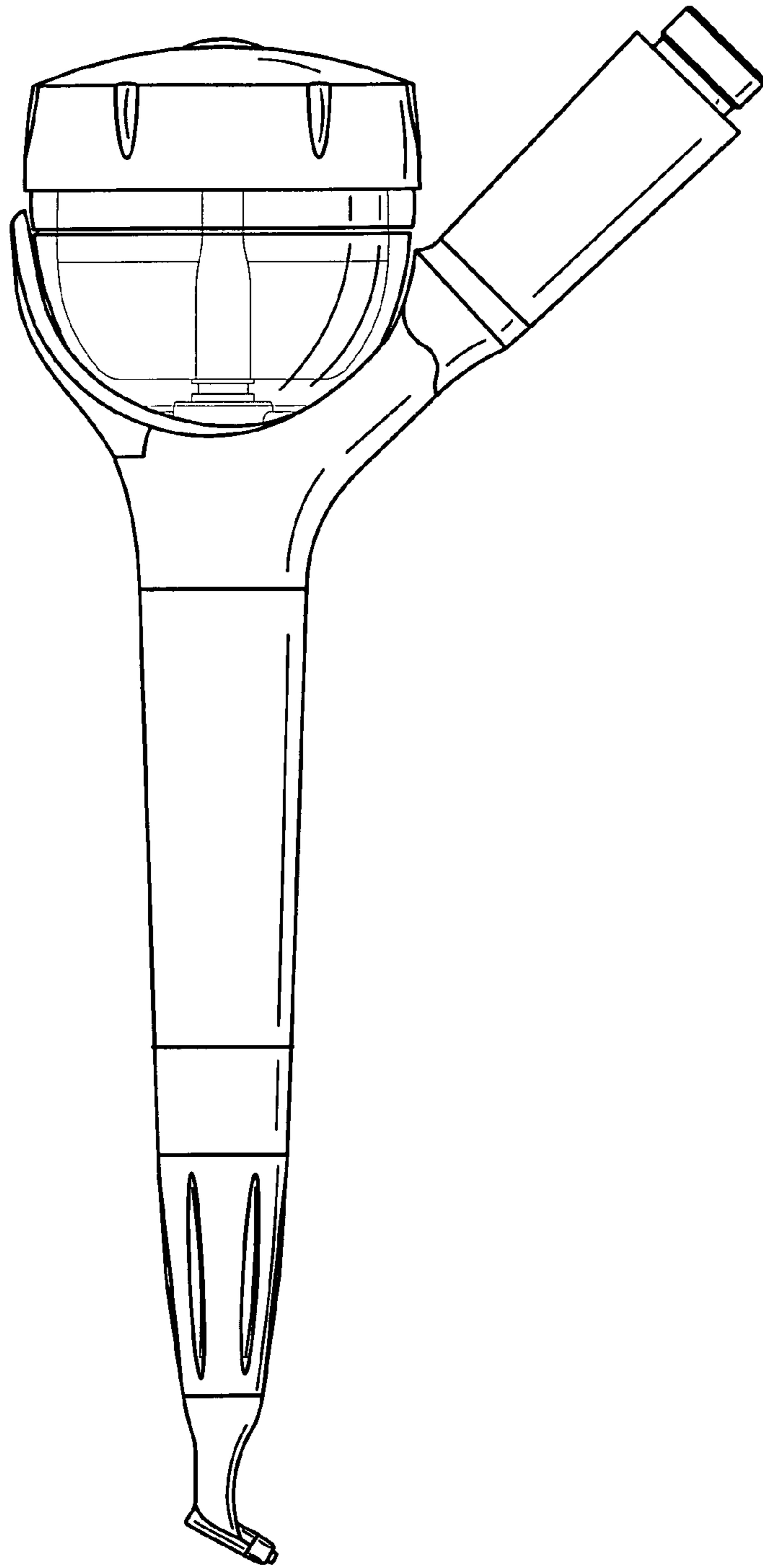


Fig. 13

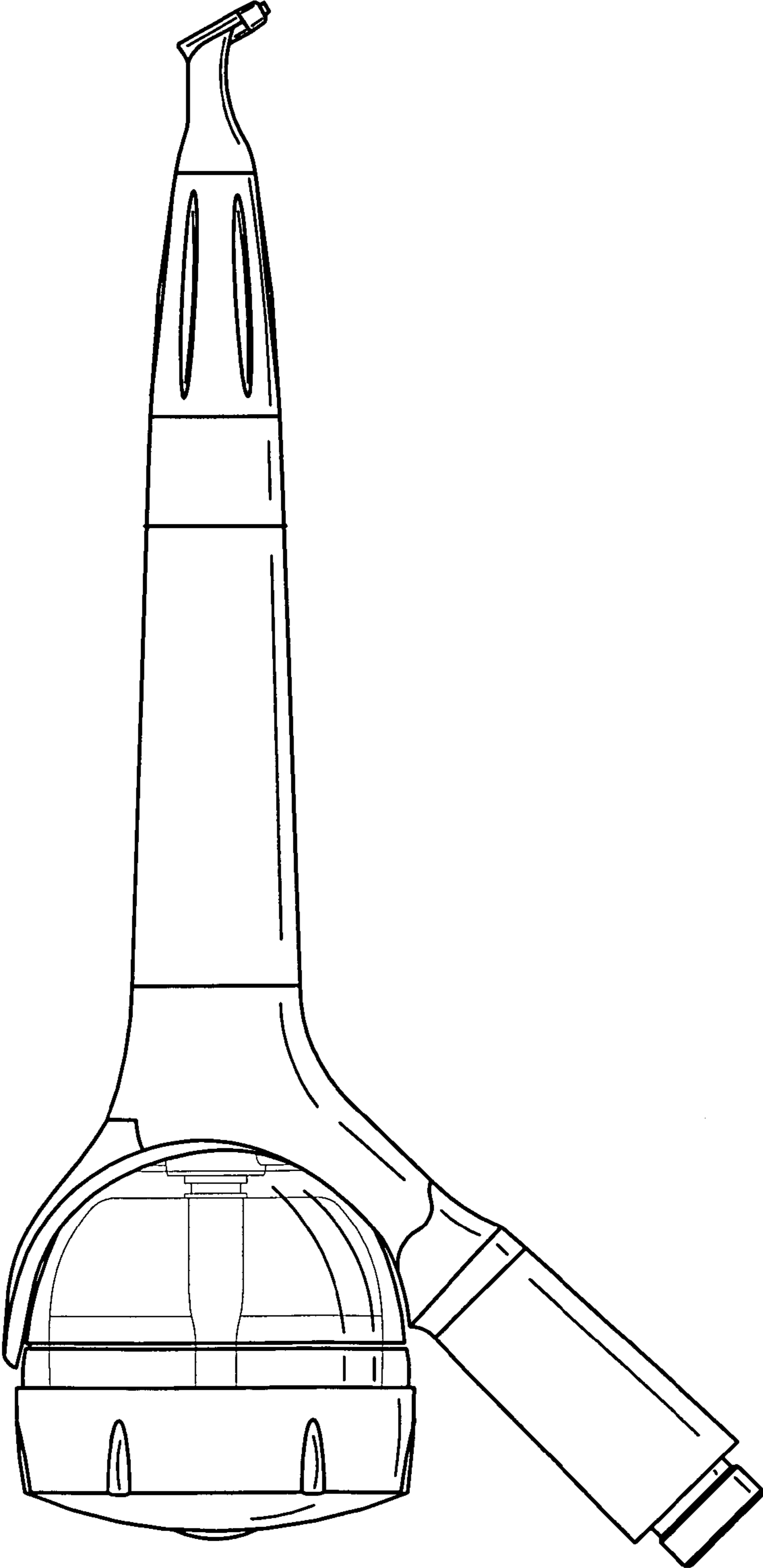


Fig. 14

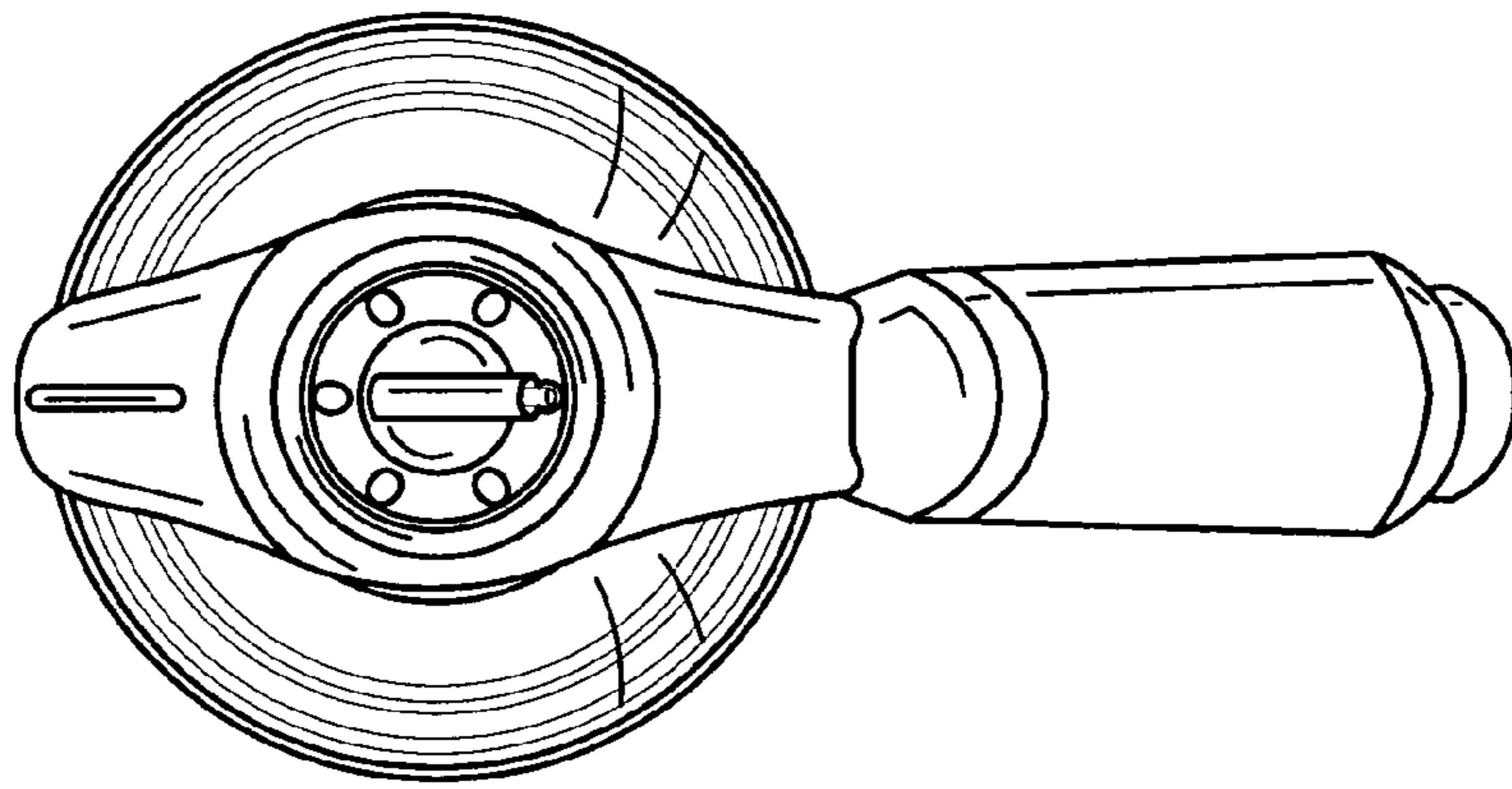


Fig. 15

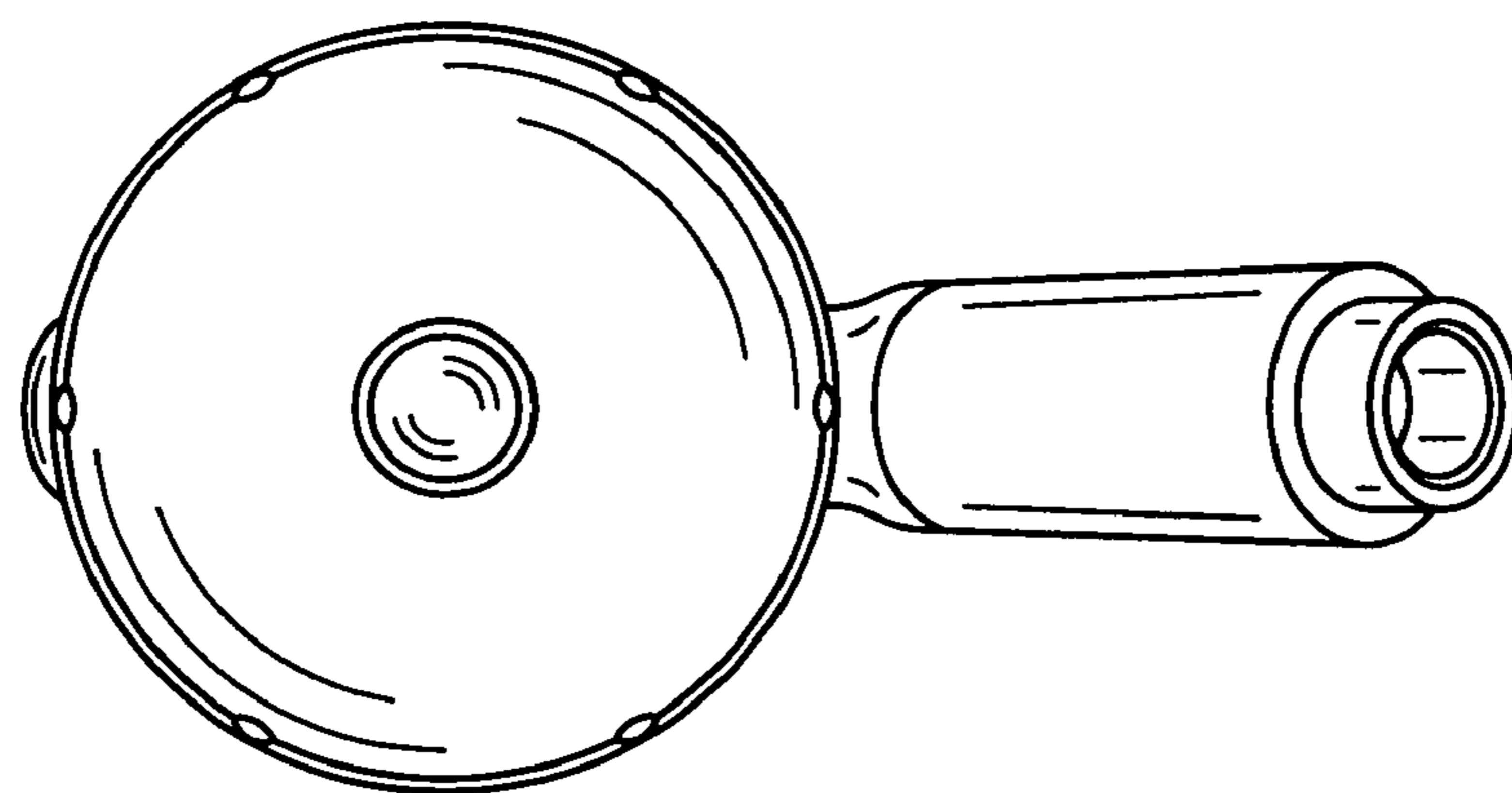


Fig. 16

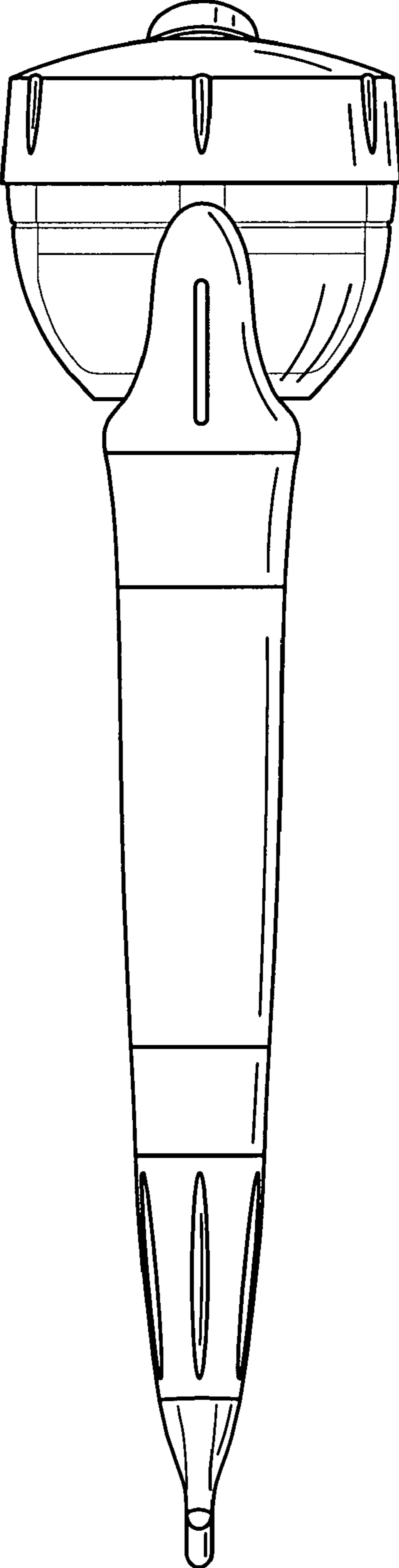


Fig. 17

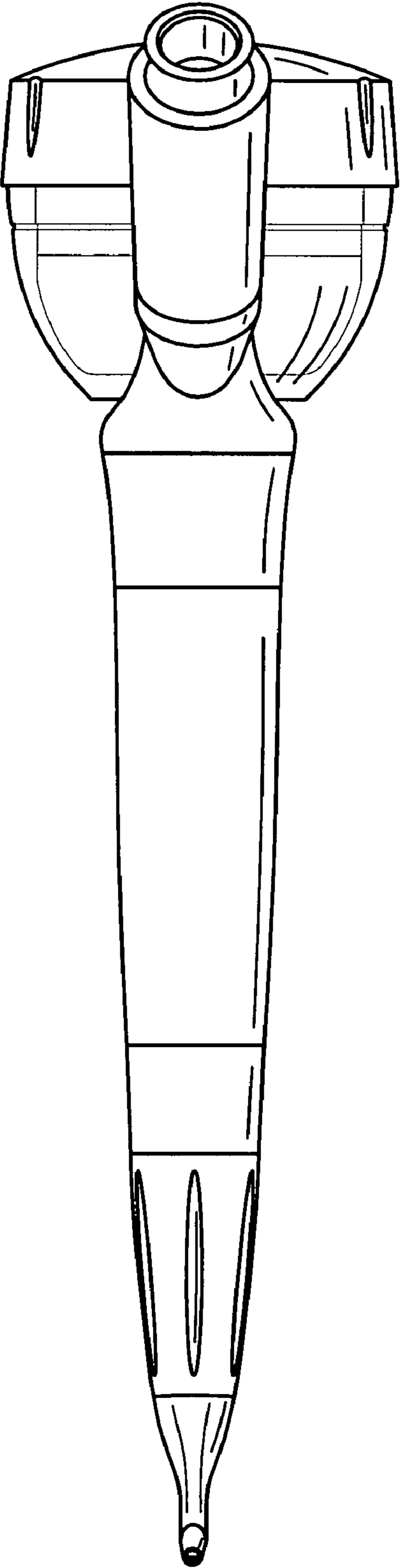


Fig. 18