



US00D667553S

(12) **United States Design Patent**
Solingen et al.

(10) **Patent No.:** **US D667,553 S**

(45) **Date of Patent:** **** Sep. 18, 2012**

(54) **FORCEPS**

(75) Inventors: **Simon Solingen**, Los Angeles, CA (US);
Sven Schneider, Tuttlingen (DE); **Doug Allen**, Los Angeles, CA (US)

(73) Assignee: **Karl Storz GmbH & Co. KG**,
Tuttlingen (DE)

(**) Term: **14 Years**

(21) Appl. No.: **29/378,714**

(22) Filed: **Nov. 8, 2010**

(30) **Foreign Application Priority Data**

May 7, 2010 (EM) 001705849-0012

(51) **LOC (9) Cl.** **24-02**

(52) **U.S. Cl.** **D24/143; D24/148**

(58) **Field of Classification Search** D24/133,
D24/143-148; 606/41, 45-46, 51-52, 170,
606/205-208

See application file for complete search history.

(56) **References Cited**

U.S. PATENT DOCUMENTS

5,336,238	A *	8/1994	Holmes et al.	606/208
D354,563	S *	1/1995	Holmes et al.	D24/143
D370,064	S *	5/1996	Livneh	D24/146
5,578,052	A *	11/1996	Koros et al.	606/51
5,618,308	A *	4/1997	Holmes et al.	606/205
5,735,873	A *	4/1998	MacLean	606/205
5,922,007	A *	7/1999	Hoogeboom et al.	606/205

5,928,263	A	7/1999	Hoogeboom	
6,139,563	A *	10/2000	Cosgrove et al.	606/205
6,340,365	B2 *	1/2002	Dittrich et al.	606/205
D497,427	S *	10/2004	Hickingbotham	D24/133
D583,941	S *	12/2008	Leroy	D24/133
D594,982	S *	6/2009	Stefan	D24/133
D605,761	S *	12/2009	Stefan	D24/143
7,686,826	B2 *	3/2010	Lee et al.	606/205

FOREIGN PATENT DOCUMENTS

EP	0 653 923	B1	3/1999
WO	WO 81/03122		11/1981
WO	WO 2008/154289	A1	12/2008

* cited by examiner

Primary Examiner — Wan Laymon

(74) *Attorney, Agent, or Firm* — Muncy, Geissler, Olds & Lowe, PLLC

(57) **CLAIM**

The ornamental design for a forceps, as shown and described.

DESCRIPTION

FIG. 1 is a left side perspective view of a forceps according to the invention.

FIG. 2 is a right side perspective view of the forceps of FIG. 1.

FIG. 3 is a top perspective view of the forceps of FIG. 1.

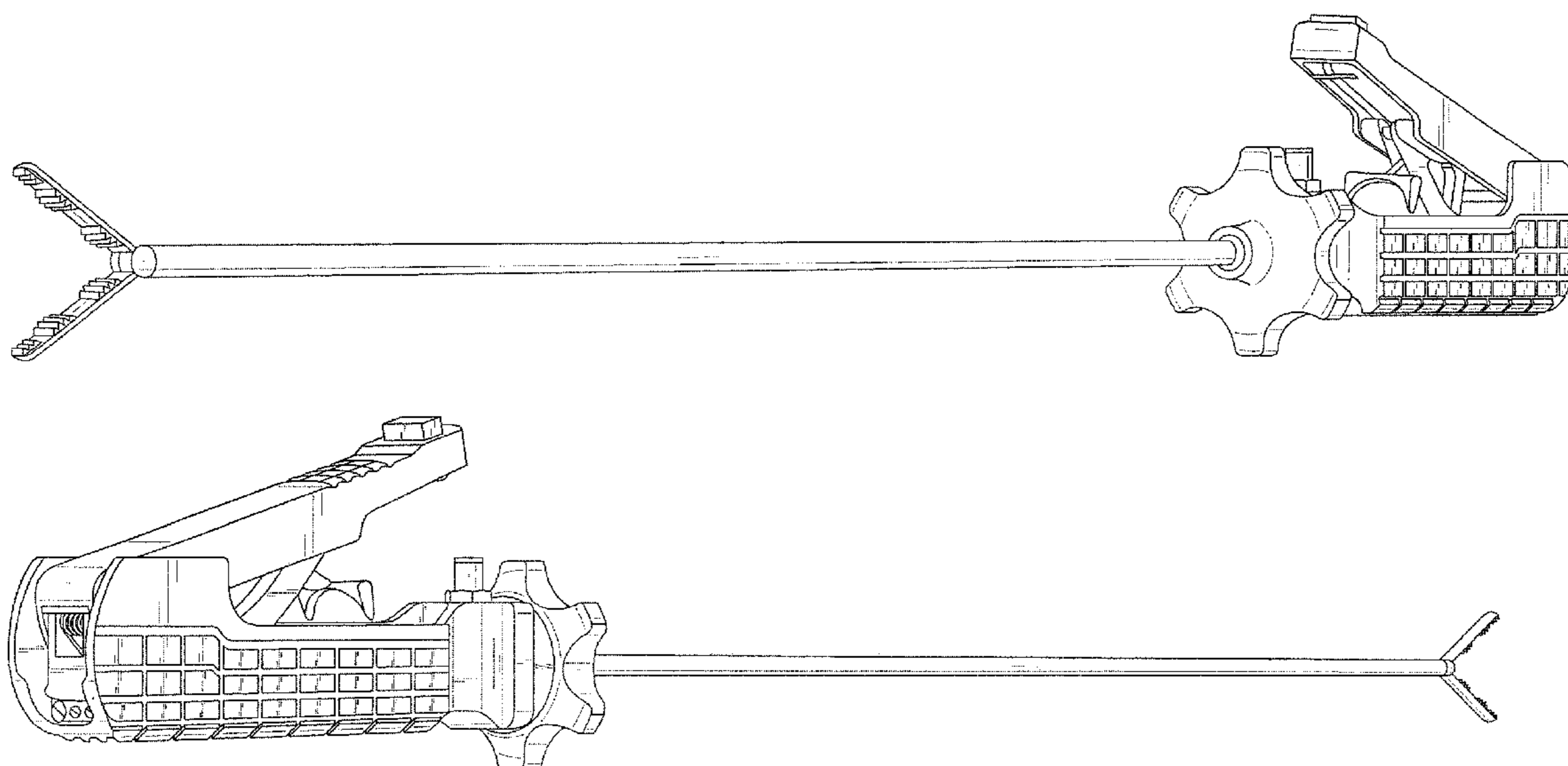
FIG. 4 is a bottom perspective view of the forceps of FIG. 1.

FIG. 5 is a front perspective view of the forceps of FIG. 1.

FIG. 6 is an enlarged rear perspective view of the forceps of FIG. 1; and,

FIG. 7 is an enlarged three quarter perspective view of the forceps of FIG. 1.

1 Claim, 7 Drawing Sheets



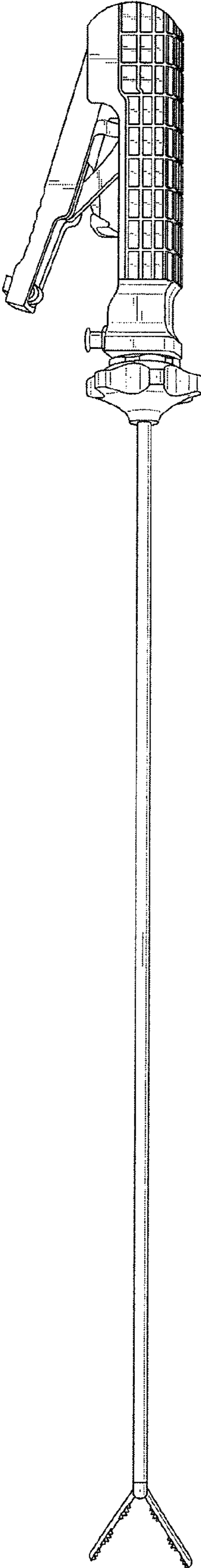


FIG. 1

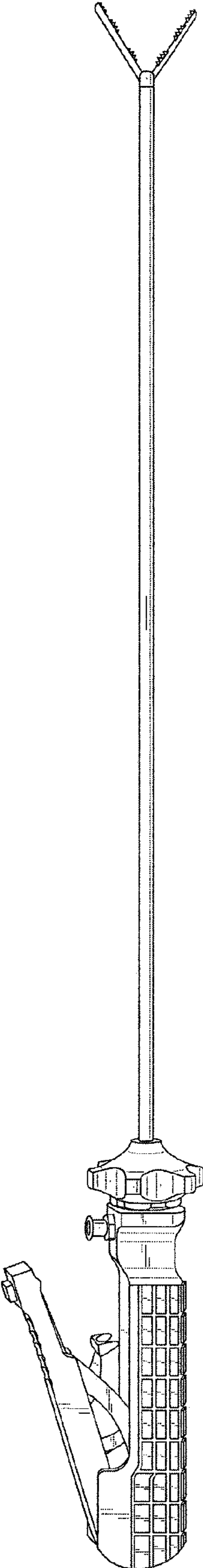


FIG. 2

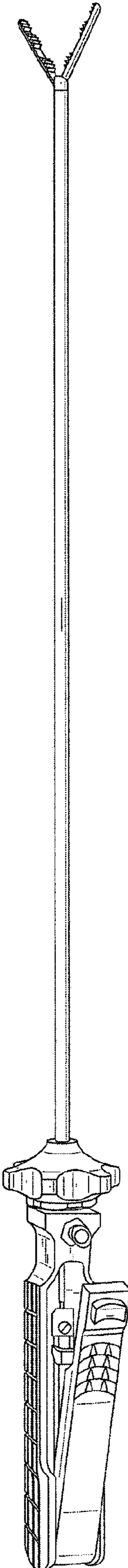


FIG. 3

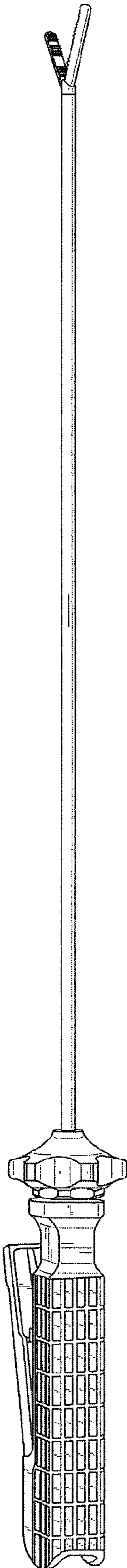


FIG. 4

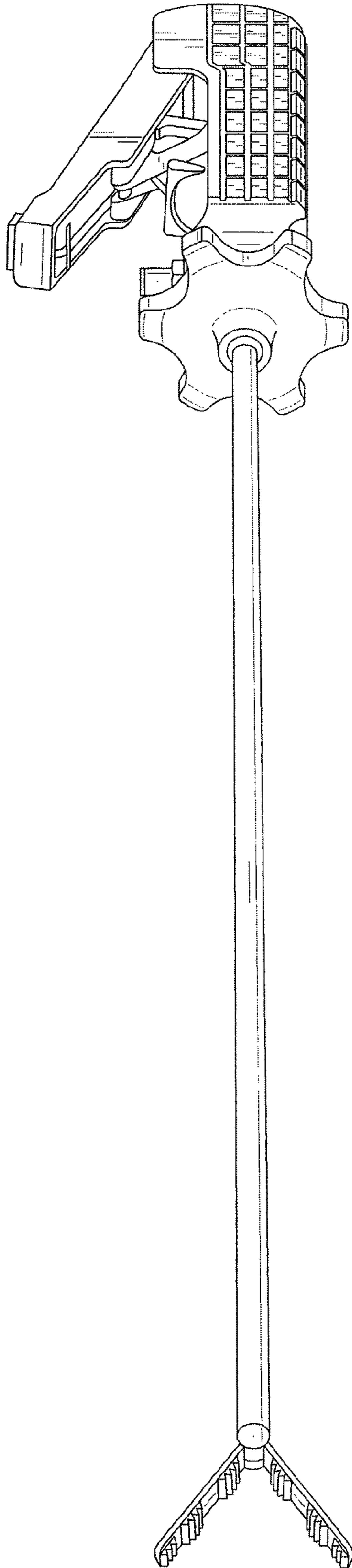


FIG. 5

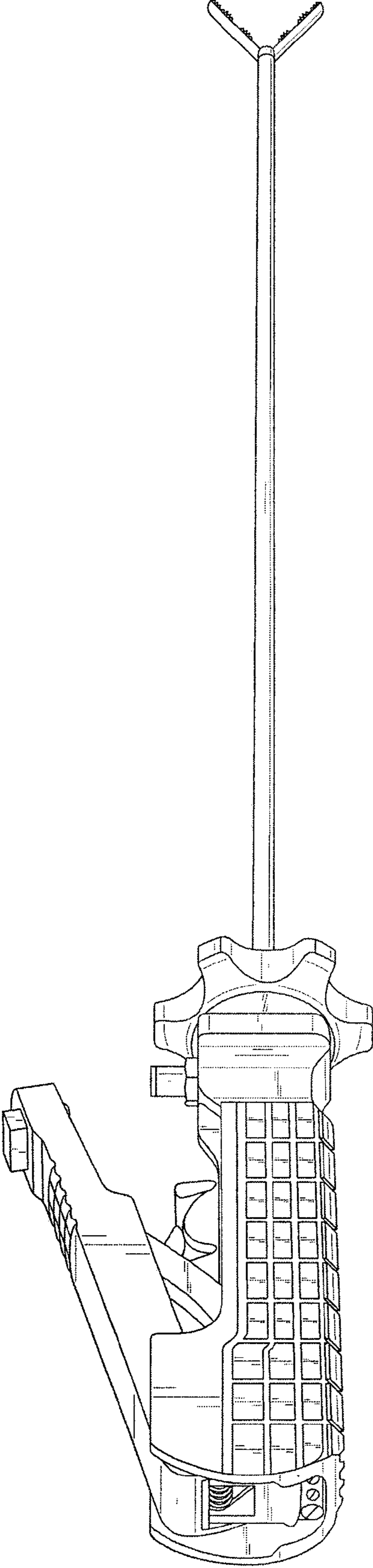


FIG. 6

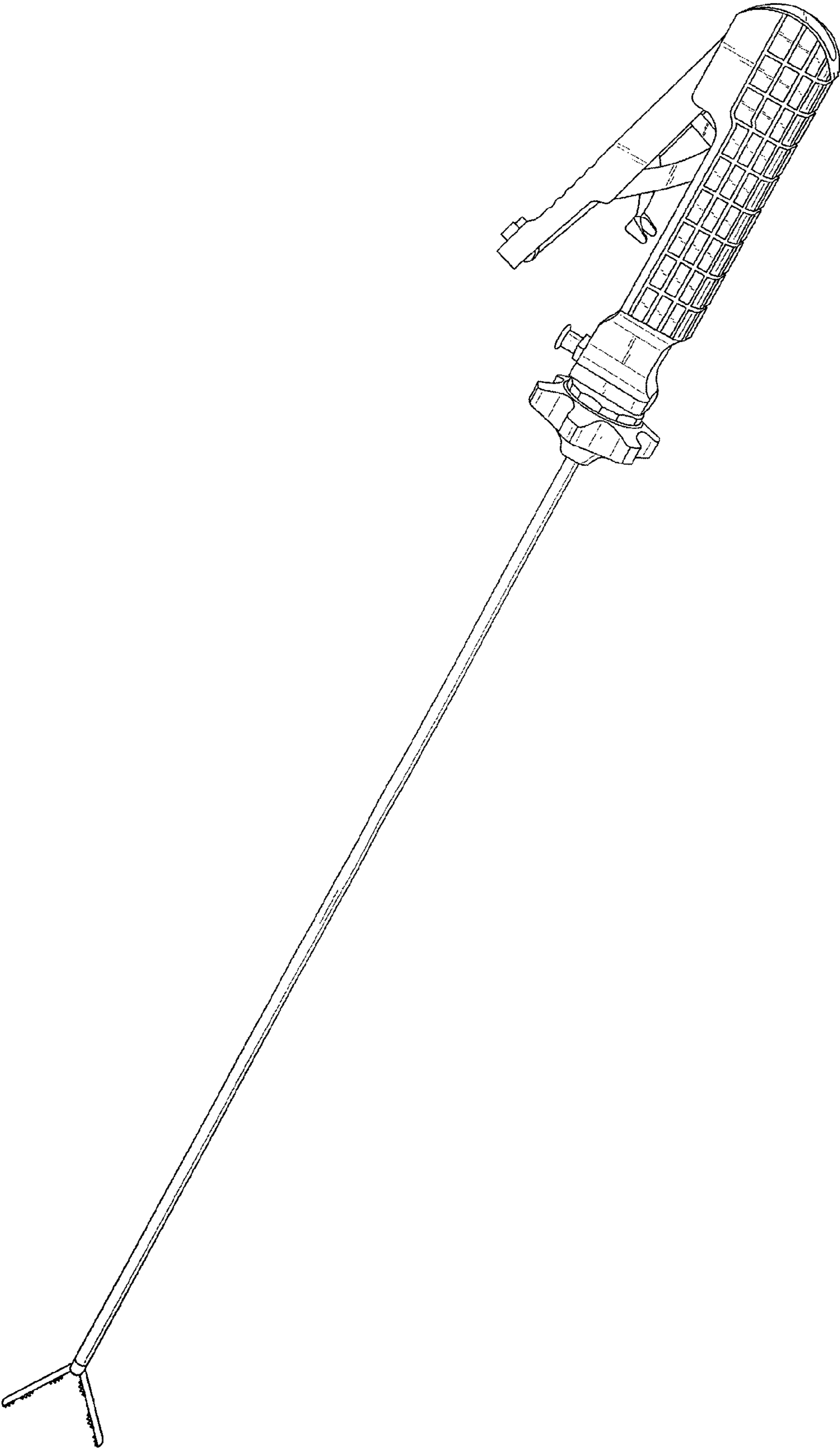


FIG. 7