



US00D667552S

(12) **United States Design Patent**
Claypool et al.

(10) **Patent No.:** **US D667,552 S**

(45) **Date of Patent:** **** Sep. 18, 2012**

(54) **PATELLA CLAMP**

(75) Inventors: **Jody L. Claypool**, Columbia City, IN (US); **Steven E. Stump**, Goshen, IN (US)

(73) Assignee: **Zimmer, Inc.**, Warsaw, IN (US)

(**) Term: **14 Years**

(21) Appl. No.: **29/362,875**

(22) Filed: **Jun. 1, 2010**

(51) **LOC (9) Cl.** **24-02**

(52) **U.S. Cl.** **D24/143**

(58) **Field of Classification Search** D24/143, D24/133, 147; 623/20.18, 20.19; 606/86 R, 606/87-88, 211, 205-208

See application file for complete search history.

(56) **References Cited**

U.S. PATENT DOCUMENTS

5,944,723	A *	8/1999	Colleran et al.	606/88
5,968,051	A *	10/1999	Luckman et al.	606/88
6,010,509	A *	1/2000	Delgado et al.	606/88
D592,747	S *	5/2009	Weiler et al.	D24/143
7,632,279	B2 *	12/2009	Bastian	606/88
7,758,651	B2 *	7/2010	Chauhan et al.	623/20.18
D646,389	S *	10/2011	Claypool et al.	D24/140

2004/0162561 A1* 8/2004 Marchyn et al. 606/78
* cited by examiner

Primary Examiner — Wan Laymon

(74) *Attorney, Agent, or Firm* — Schwegman Lundberg & Woessner, P.A.

(57) **CLAIM**

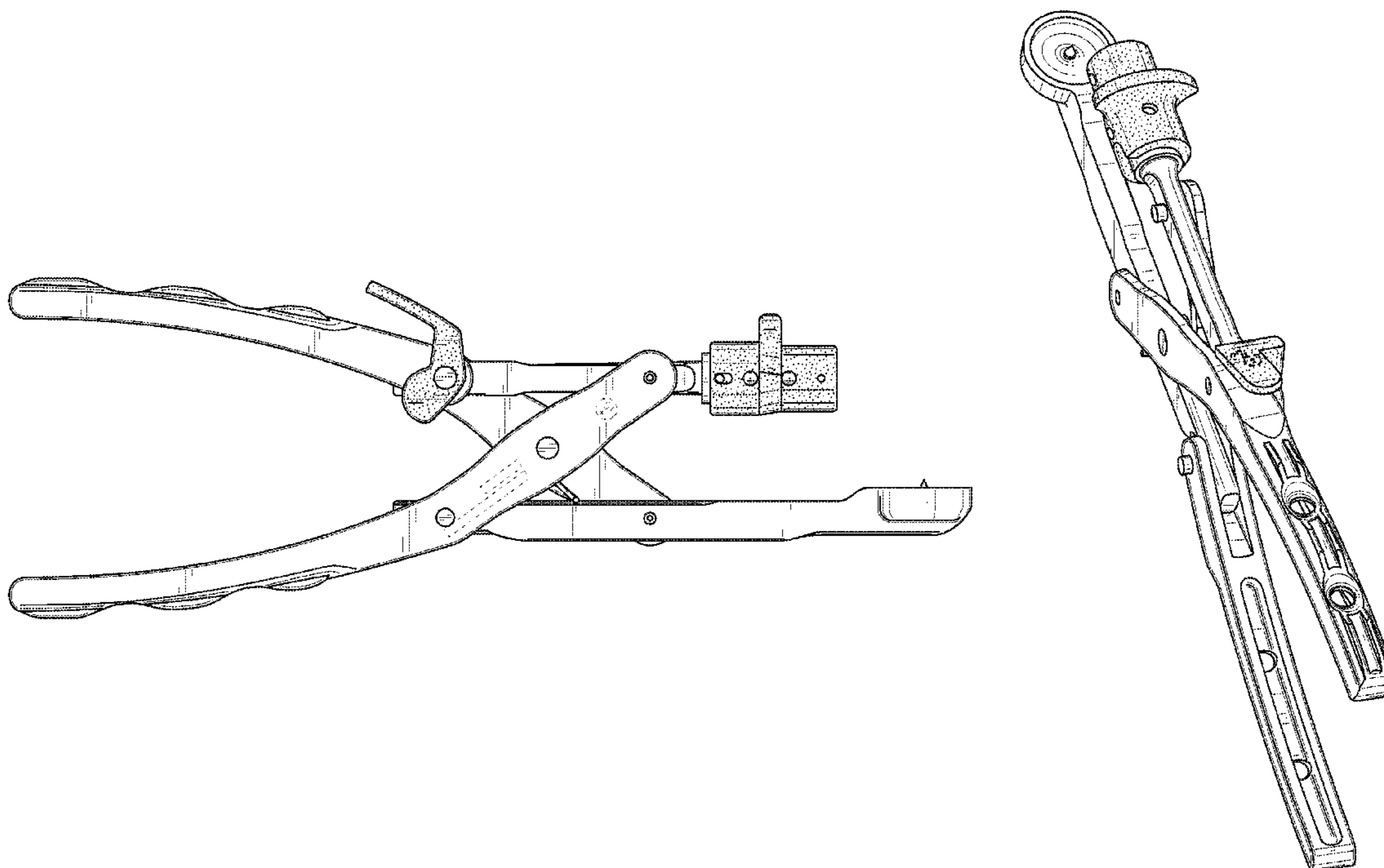
The ornamental design for a patella clamp, as shown and described.

DESCRIPTION

FIG. 1 is a perspective view of a patella clamp in an environment showing our new design; FIG. 2 is a front end elevation view thereof; FIG. 3 is a rear end elevation view thereof; FIG. 4 is a left side elevation view thereof; FIG. 5 is a right side elevation view thereof; FIG. 6 is a top plan view thereof; FIG. 7 is a bottom plan view thereof; and, FIG. 8 is another perspective view thereof.

The broken lines shown in FIG. 9 illustrate the environment in which the claimed design is used. The broken lines immediately adjacent the shaded areas represent unclaimed boundaries. None of the broken lines form part of the claimed design.

1 Claim, 6 Drawing Sheets



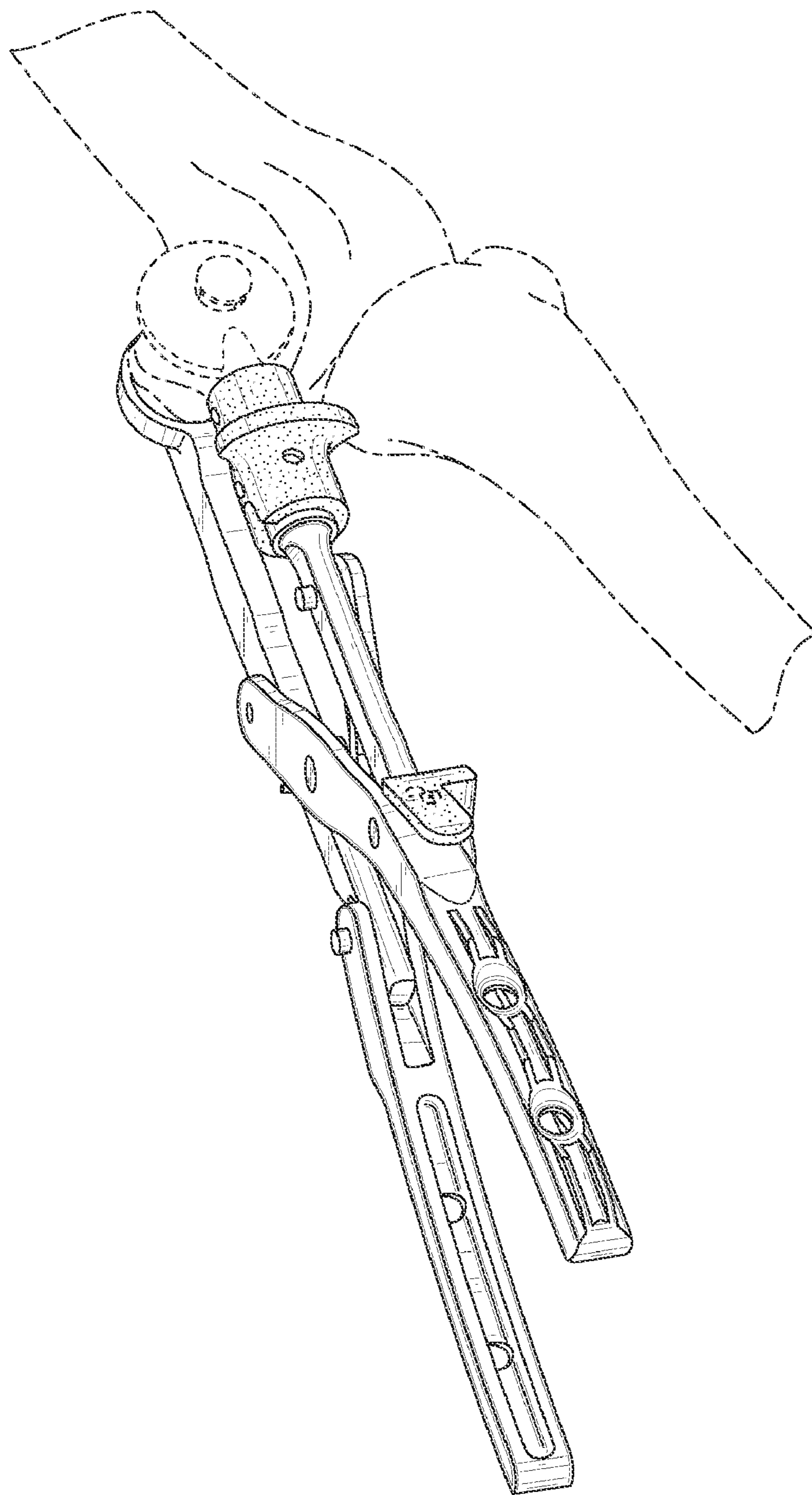


FIG. 1

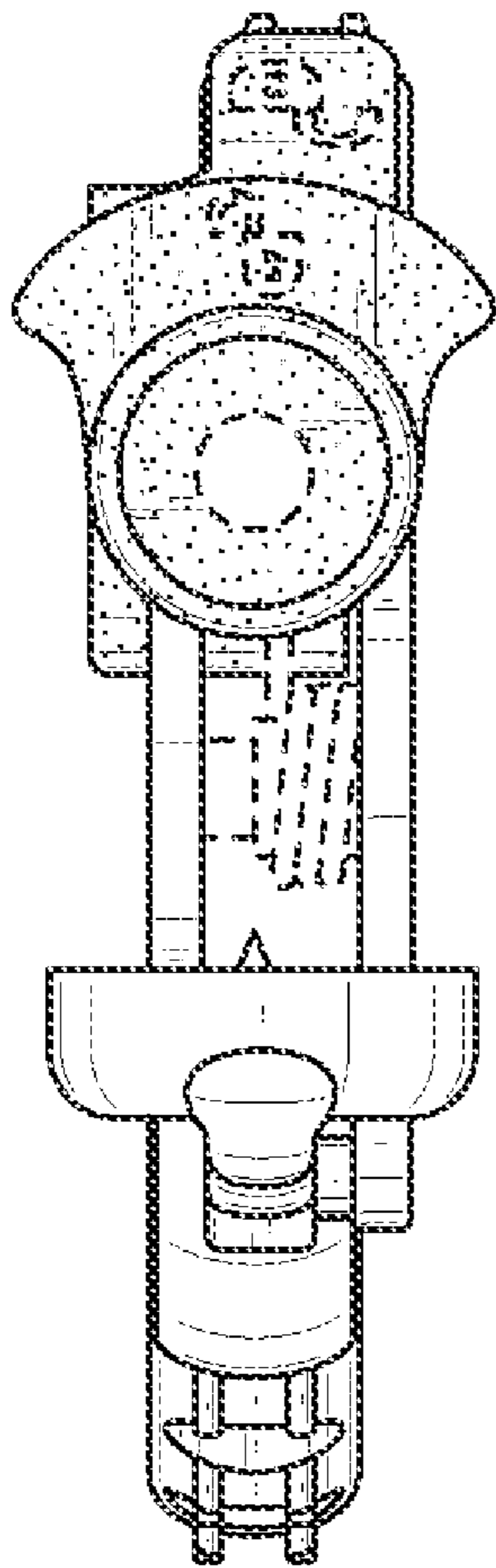


FIG. 2

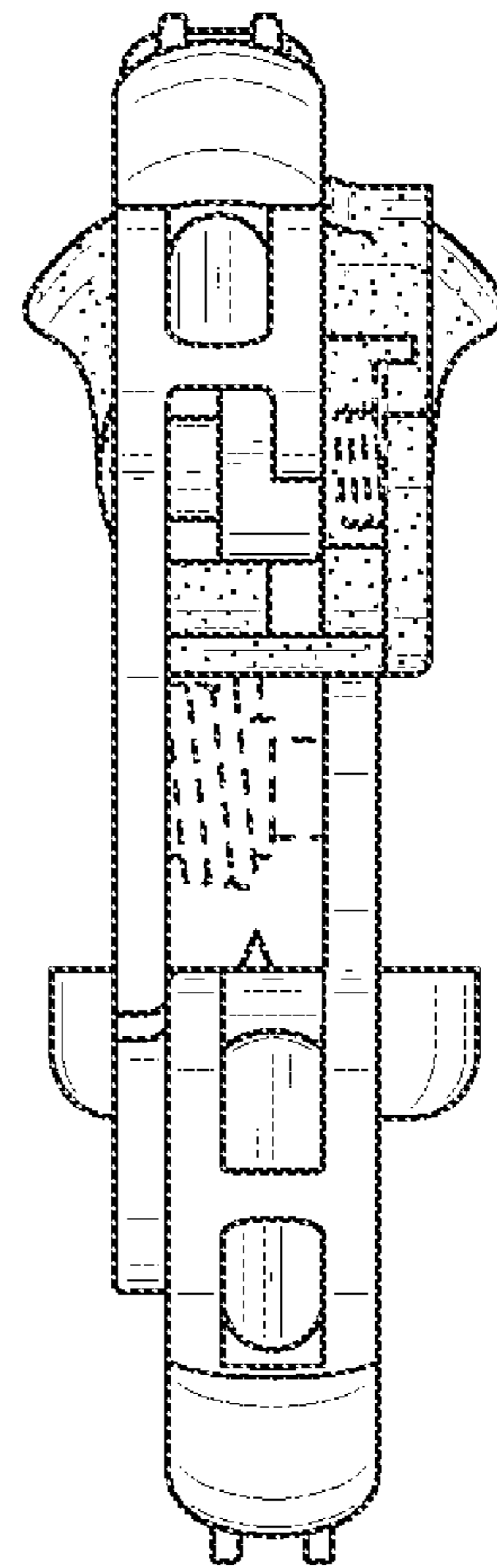


FIG. 3

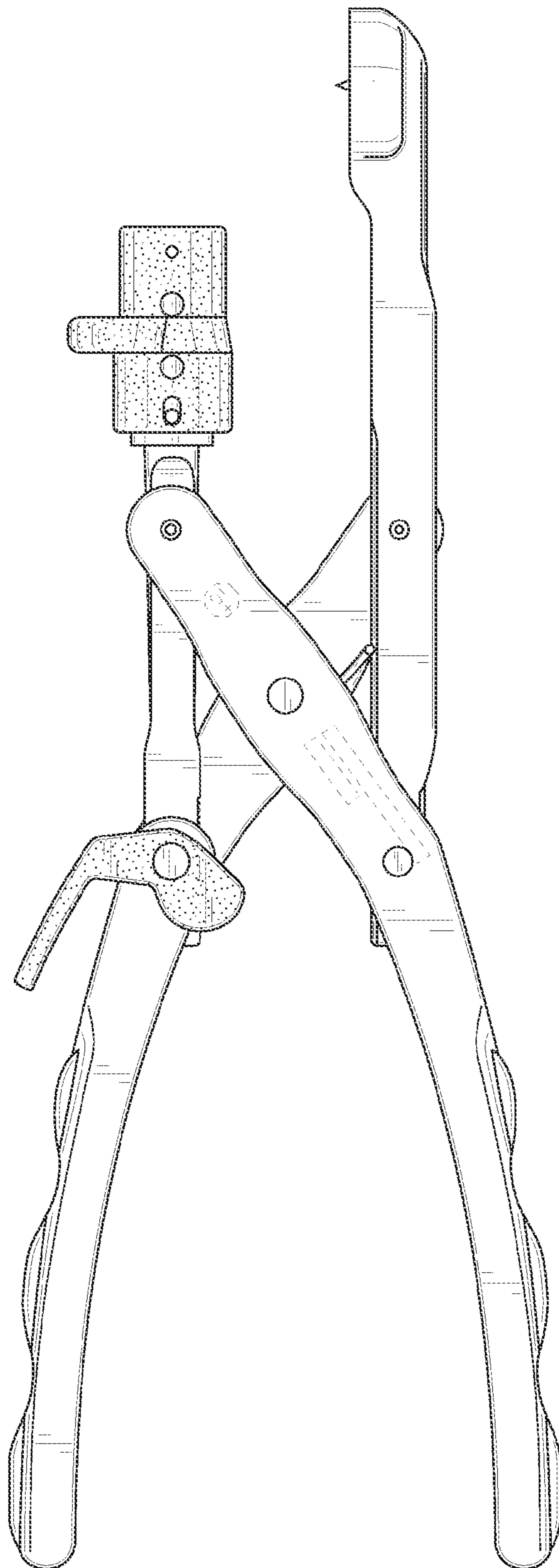


FIG. 4

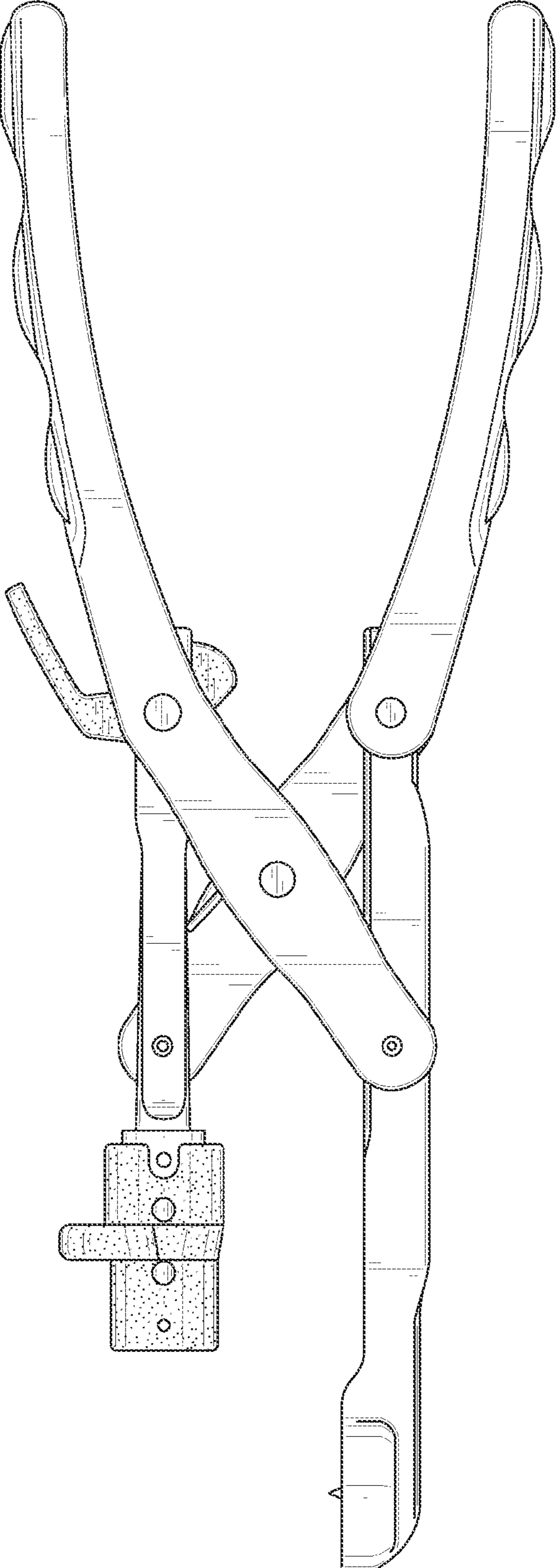


FIG. 5

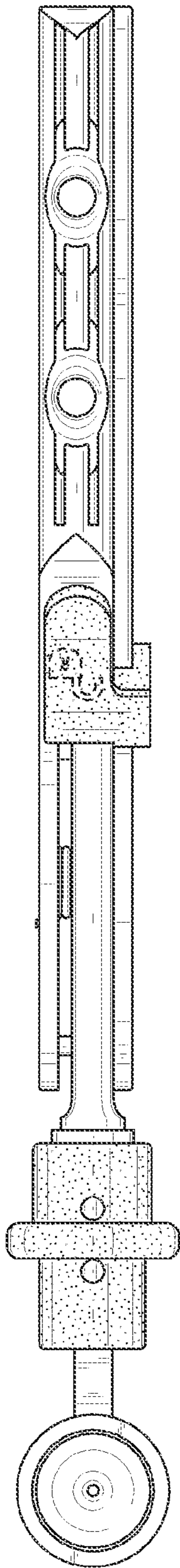


FIG. 6

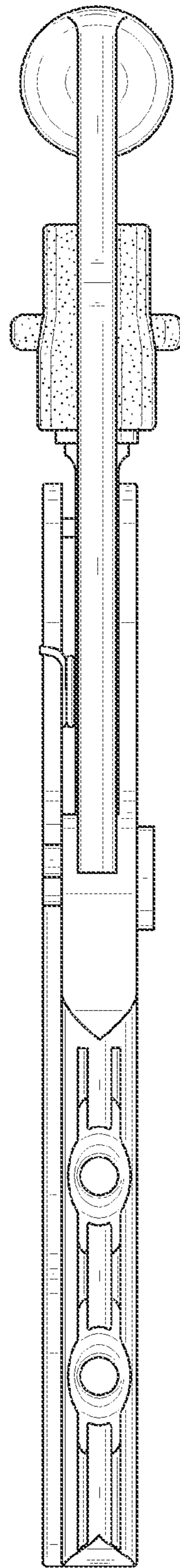


FIG. 7

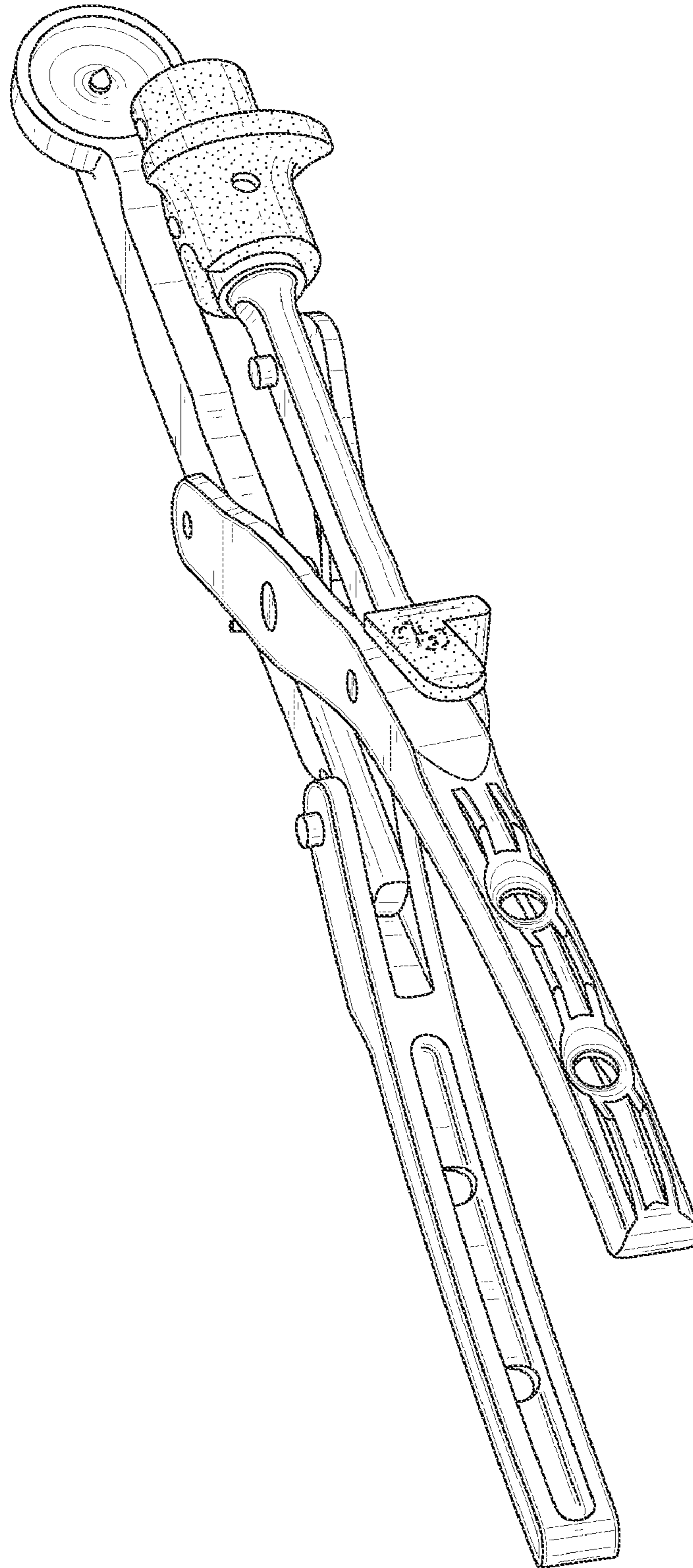


FIG. 8