

US00D667549S

(12) **United States Design Patent**
Destandau et al.

(10) **Patent No.:** **US D667,549 S**
(45) **Date of Patent:** **** Sep. 18, 2012**

(54) **CERVICAL LOCALIZATION INSTRUMENT**

D529,172 S * 9/2006 Schollhorn D24/143
D600,807 S * 9/2009 Dienst et al. D24/140
D638,544 S * 5/2011 Koenigsberger et al. D24/140

(75) Inventors: **Jean Destandau**, Merignac (FR);
Andreas Efinger, Rietheim (DE); **Kevin Pilz**, Tuttlingen (DE)

FOREIGN PATENT DOCUMENTS

EM 001830274-0007 3/2011

* cited by examiner

(73) Assignee: **Karl Storz GmbH & Co. KG**,
Tuttlingen (DE)

Primary Examiner — Bridget L Eland

(**) Term: **14 Years**

(74) *Attorney, Agent, or Firm* — Muncy, Geissler, Olds & Lowe, PLLC

(21) Appl. No.: **29/401,028**

(57) **CLAIM**

The ornamental design for a cervical localization instrument, as shown and described.

(22) Filed: **Sep. 6, 2011**

DESCRIPTION

(30) **Foreign Application Priority Data**

Mar. 3, 2011 (EM) 001830274-0006

(51) **LOC (9) Cl.** **24-02**

(52) **U.S. Cl.** **D24/140**

(58) **Field of Classification Search** D24/133,
D24/135, 140, 190–192; 606/86 A, 86 B,
606/86 R, 130

See application file for complete search history.

FIG. 1 is a left side elevational view of a cervical localization instrument according to the present invention.

FIG. 2 is a right side elevational view of the cervical localization instrument of FIG. 1;

FIG. 3 is a front elevational view of the cervical localization instrument of FIG. 1;

FIG. 4 is a rear elevational view of the cervical localization instrument of FIG. 1;

FIG. 5 is a top plan view of the cervical localization instrument of FIG. 1;

FIG. 6 is a bottom plan view of the cervical localization instrument of FIG. 1; and,

FIG. 7 is a three quarter view of the cervical localization instrument of FIG. 1.

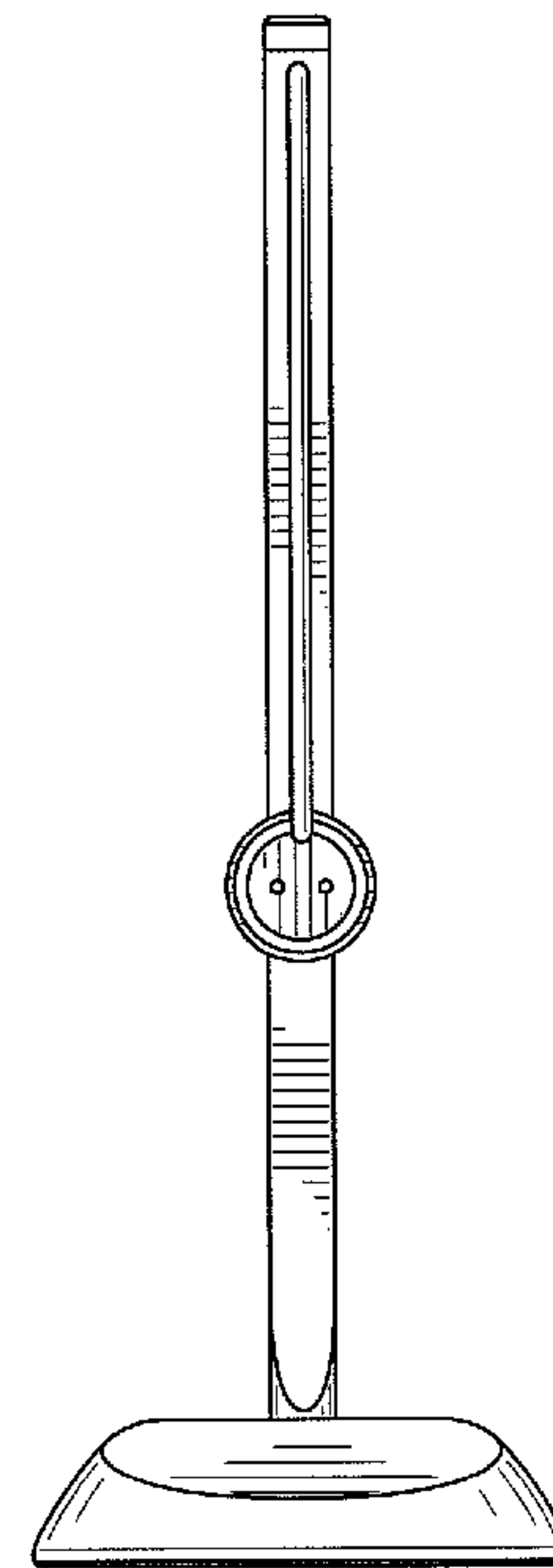
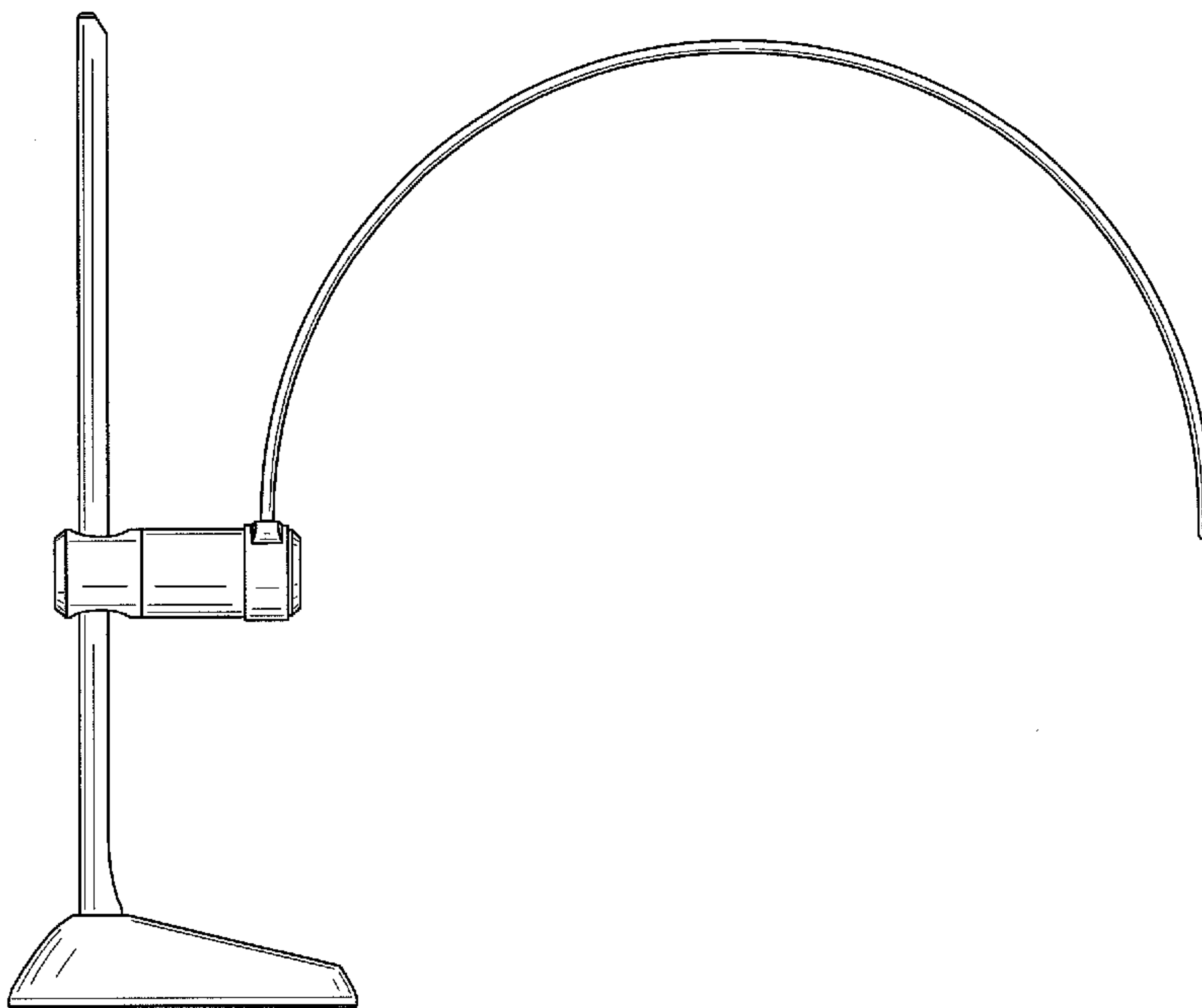
The broken lines immediately adjacent the claimed areas represent the bounds of the claimed design while all other broken lines are directed to environment and are for illustrative purposes only; the broken lines form no part of the claimed design.

(56) **References Cited**

U.S. PATENT DOCUMENTS

D208,230 S * 8/1967 Rowe et al. D24/171
D293,470 S * 12/1987 Adler D24/140
4,723,544 A * 2/1988 Moore et al. 606/130
5,496,319 A * 3/1996 Allard et al. 606/56
5,618,288 A * 4/1997 Calvo 606/130
D388,515 S * 12/1997 Bookwalter et al. D24/138
D389,242 S * 1/1998 Bookwalter et al. D24/138
5,871,445 A * 2/1999 Bucholz 600/407
5,947,981 A * 9/1999 Cosman 606/130
6,236,875 B1 * 5/2001 Bucholz et al. 600/407

1 Claim, 7 Drawing Sheets



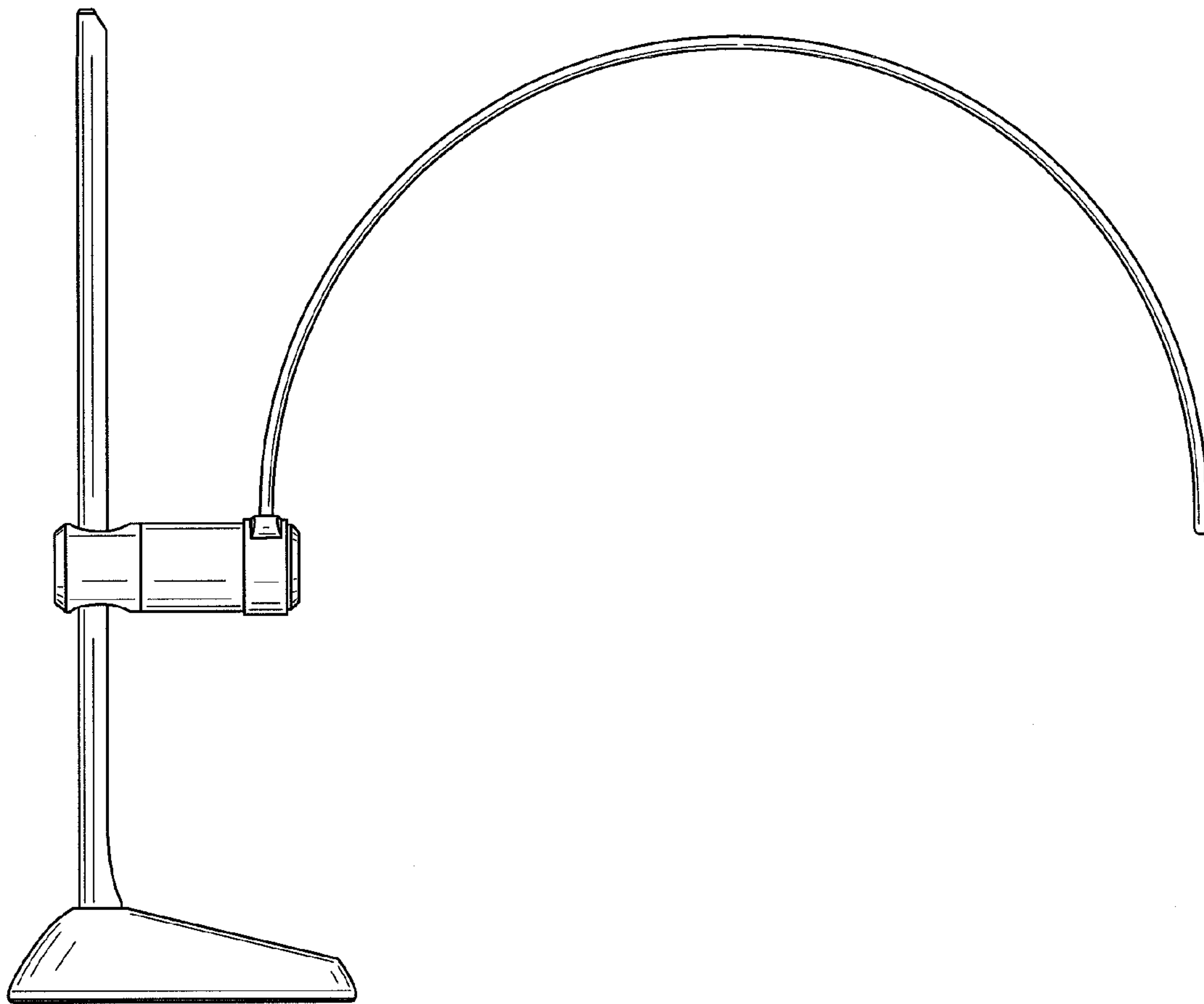


FIG. 1

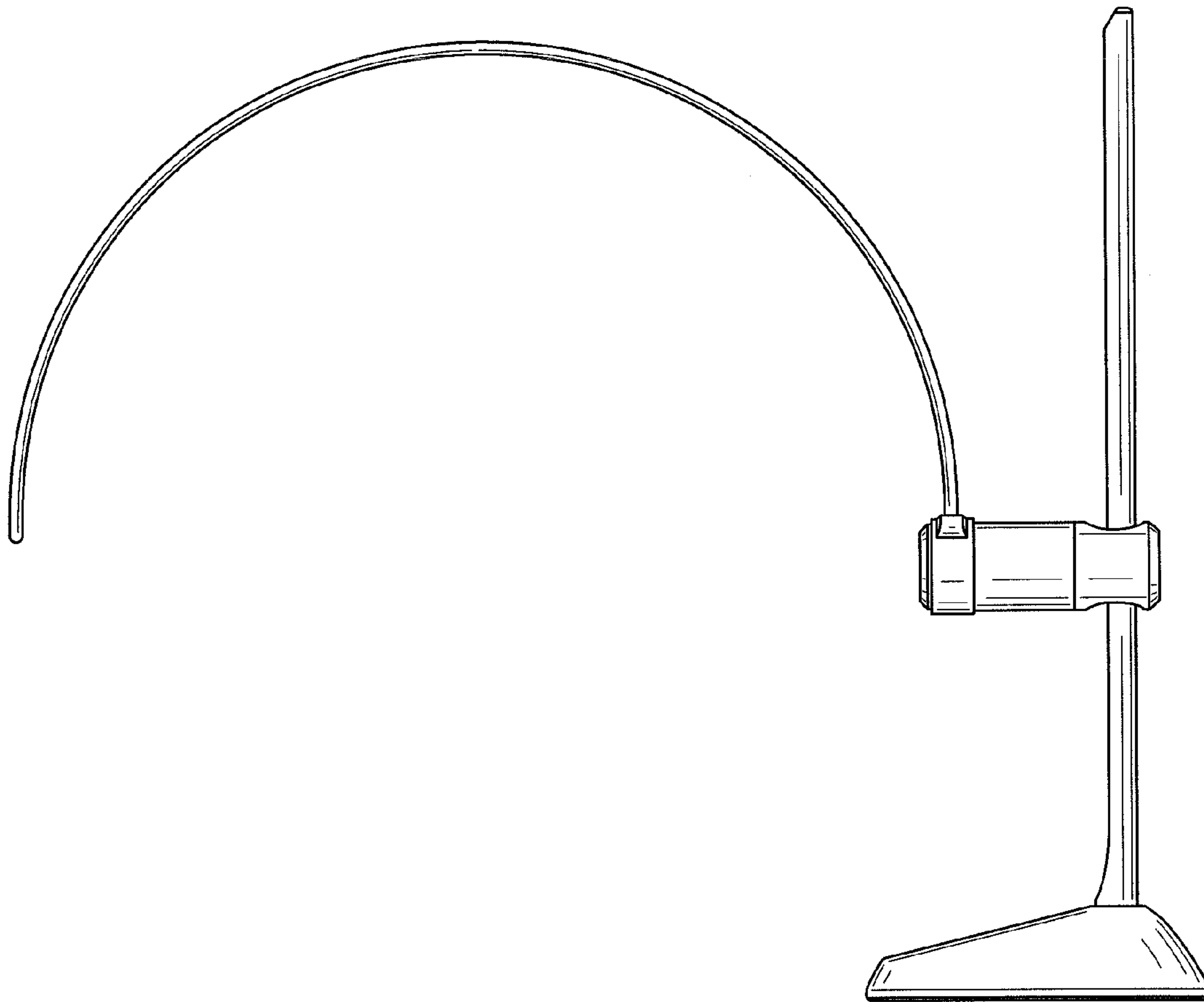


FIG. 2

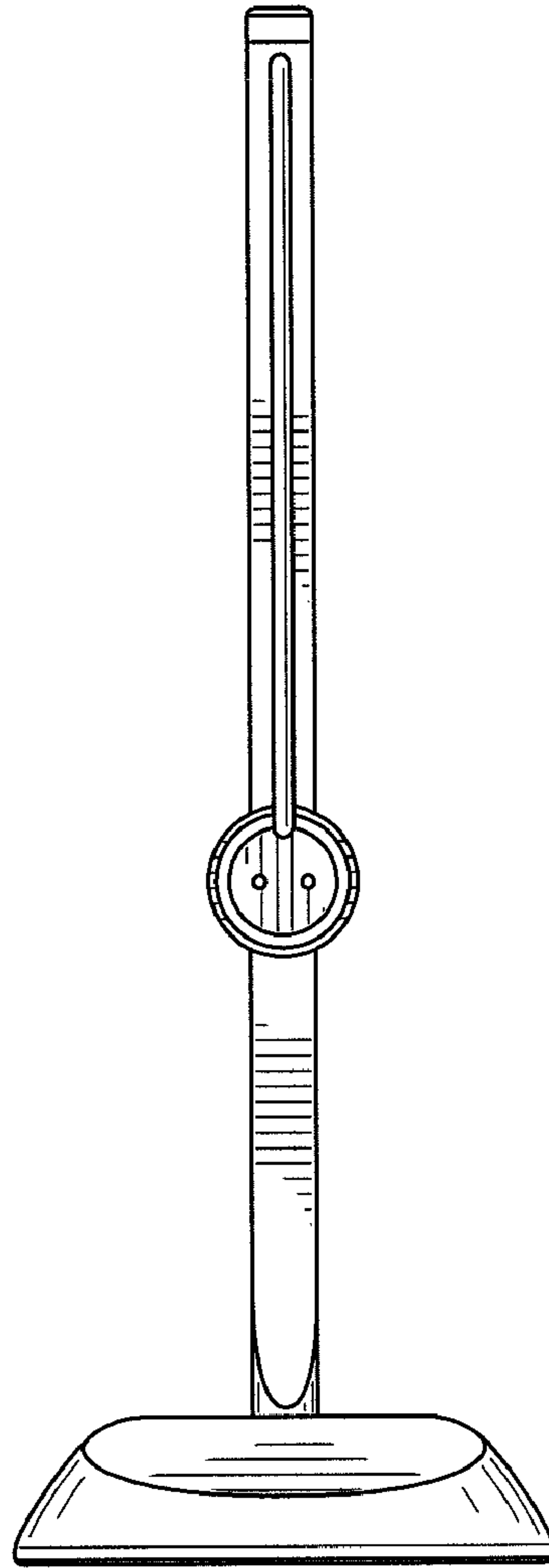


FIG. 3

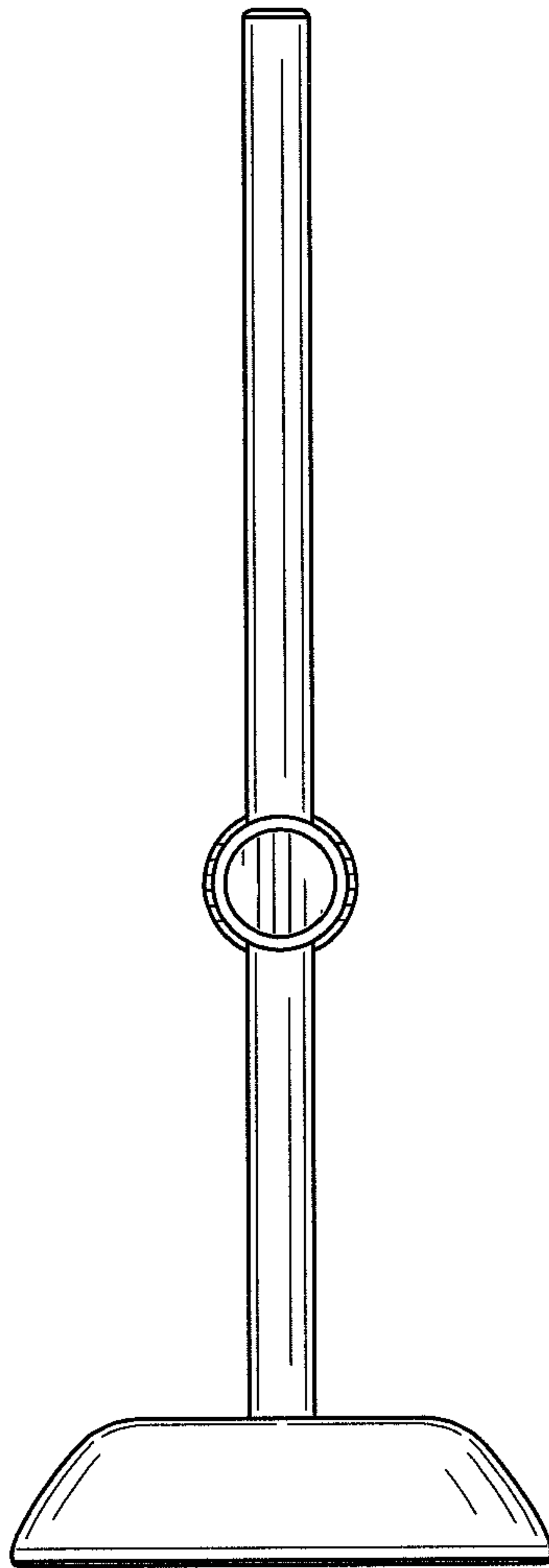


FIG. 4

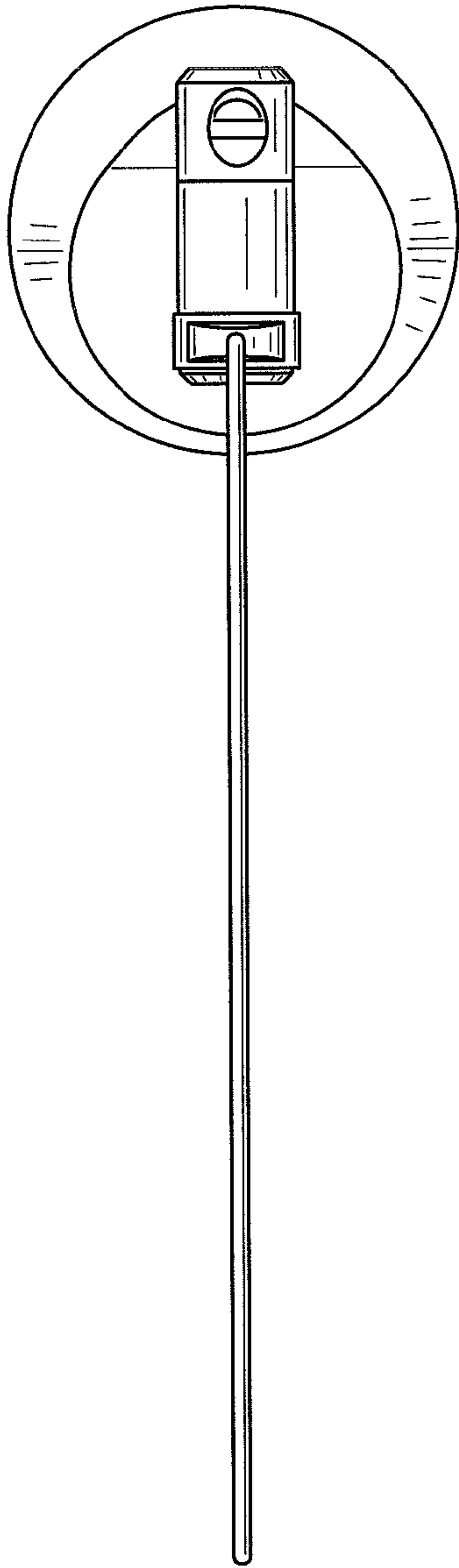


FIG. 5

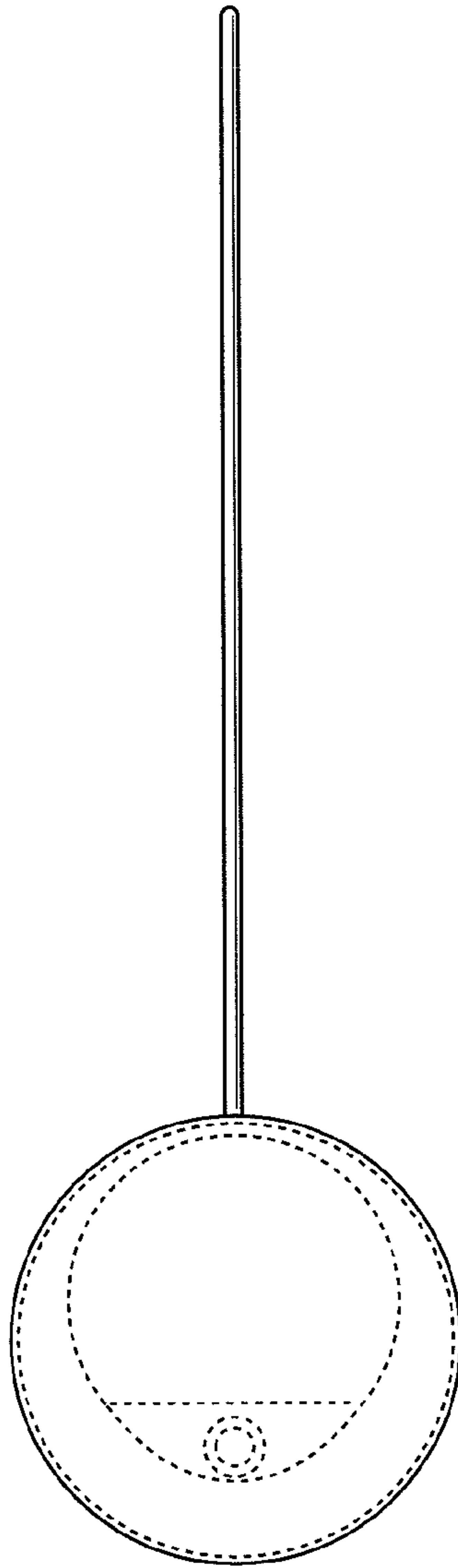


FIG. 6

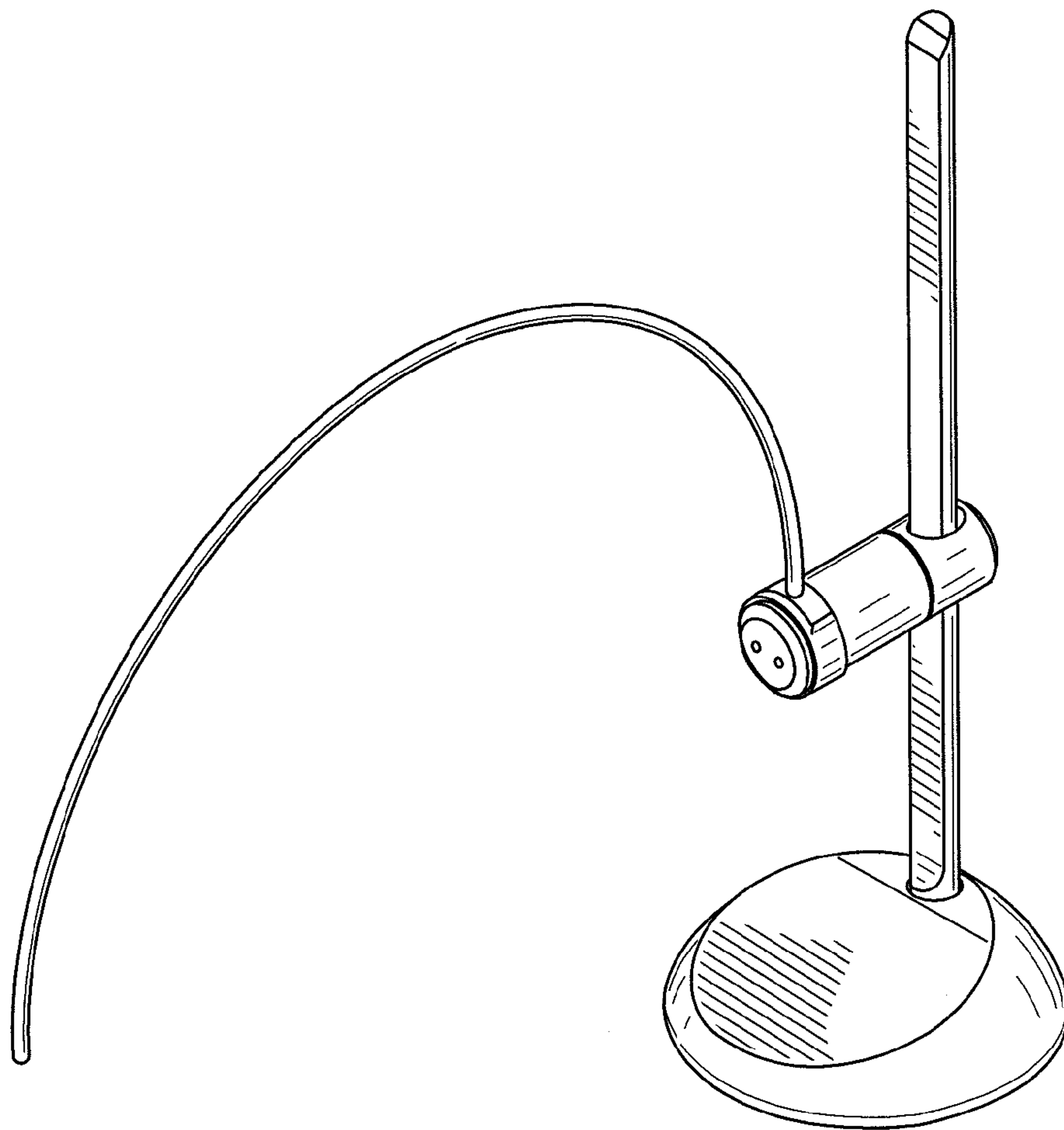


FIG. 7