



US00D667548S

(12) **United States Design Patent**  
**Brannon**

(10) **Patent No.:** **US D667,548 S**

(45) **Date of Patent:** **\*\* Sep. 18, 2012**

(54) **GUIDE**

(76) Inventor: **James K Brannon**, Leawood, KS (US)

(\*\*) Term: **14 Years**

(21) Appl. No.: **29/398,708**

(22) Filed: **Aug. 3, 2011**

(51) **LOC (9) Cl.** ..... **24-02**

(52) **U.S. Cl.** ..... **D24/140**

(58) **Field of Classification Search** ..... D24/133,  
D24/140, 155; 606/86 R-91, 96-103

See application file for complete search history.

(56) **References Cited**

**U.S. PATENT DOCUMENTS**

D269,041	S *	5/1983	Dohogne	.....	D24/140
5,120,318	A *	6/1992	Nallapareddy	.....	604/164.11
5,385,571	A *	1/1995	Morita	.....	606/181
5,888,034	A *	3/1999	Greenberg	.....	408/115 R
6,066,142	A *	5/2000	Serbousek et al.	.....	606/96
D429,333	S *	8/2000	Sanders et al.	.....	D24/137
6,692,502	B1 *	2/2004	Ertl et al.	.....	606/86 R
D562,980	S *	2/2008	Marshall et al.	.....	D24/146
D604,855	S *	11/2009	Shearlaw et al.	.....	D24/186

D621,045	S *	8/2010	Trissel et al.	.....	D24/147
D649,636	S *	11/2011	Bean et al.	.....	D24/133
2004/0015173	A1 *	1/2004	Irving	.....	606/88
2004/0243114	A1 *	12/2004	Yamazaki et al.	.....	606/9

\* cited by examiner

*Primary Examiner* — Bridget L Eland

(74) *Attorney, Agent, or Firm* — Intellectual Property Center, LLC; Arthur K. Shaffer

(57) **CLAIM**

The ornamental design for a guide, as shown and described.

**DESCRIPTION**

FIG. 1 is a rear perspective view of a guide in accordance with the present invention;

FIG. 2 is a front perspective view of the guide of FIG. 1;

FIG. 3 is a side elevation of the guide of FIG. 1;

FIG. 4 is a rear elevation of the guide of FIG. 1;

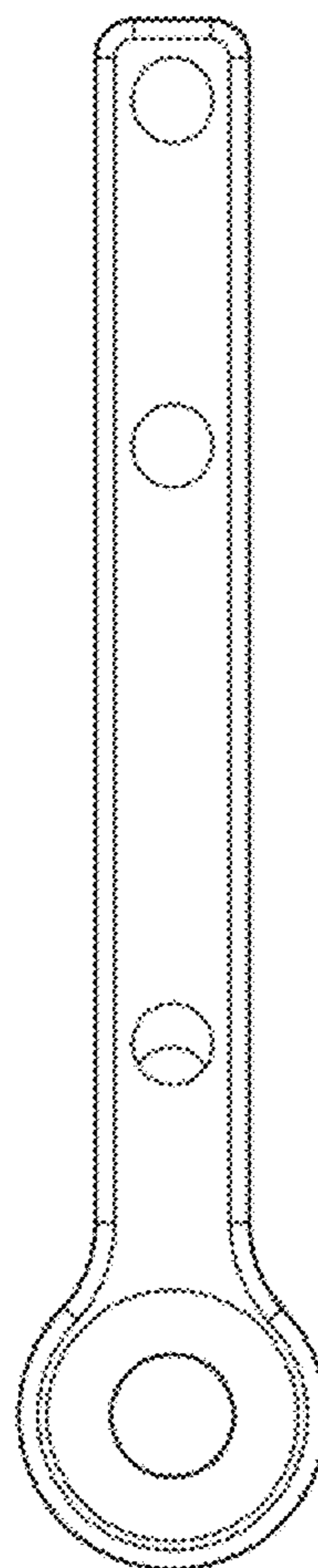
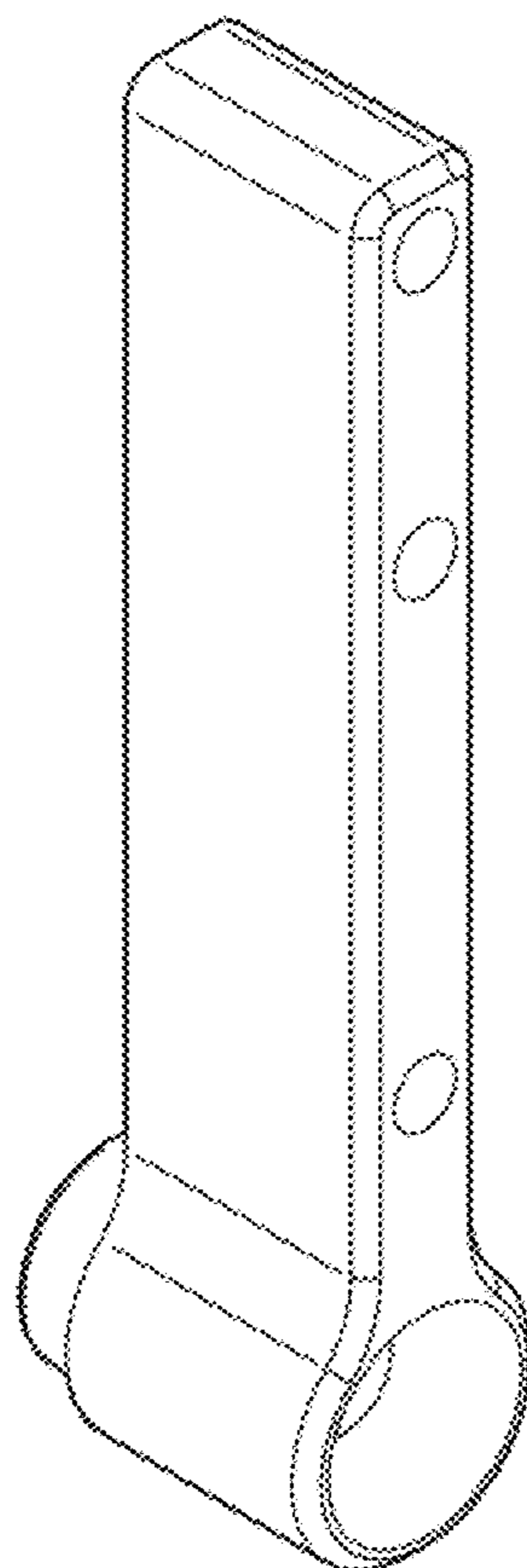
FIG. 5 is a side elevation of the guide of FIG. 1;

FIG. 6 is a front elevation of the guide of FIG. 1;

FIG. 7 is a bottom view of the guide of FIG. 1; and,

FIG. 8 is a top view of the guide of FIG. 1.

**1 Claim, 4 Drawing Sheets**



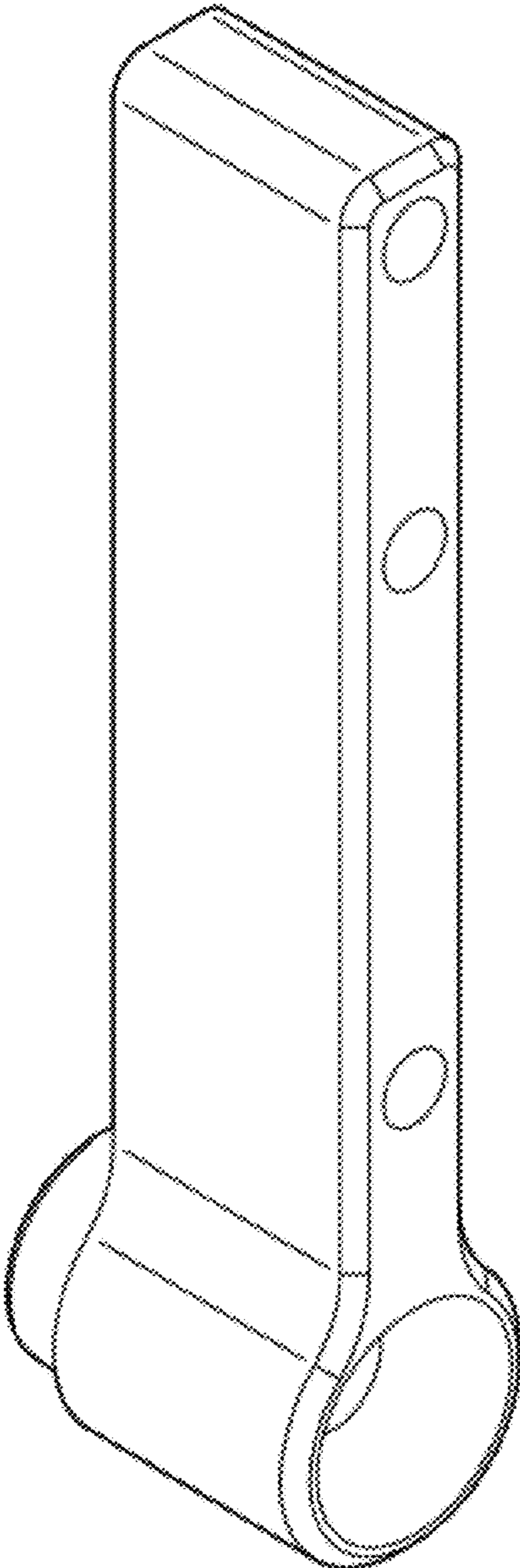


FIG.1

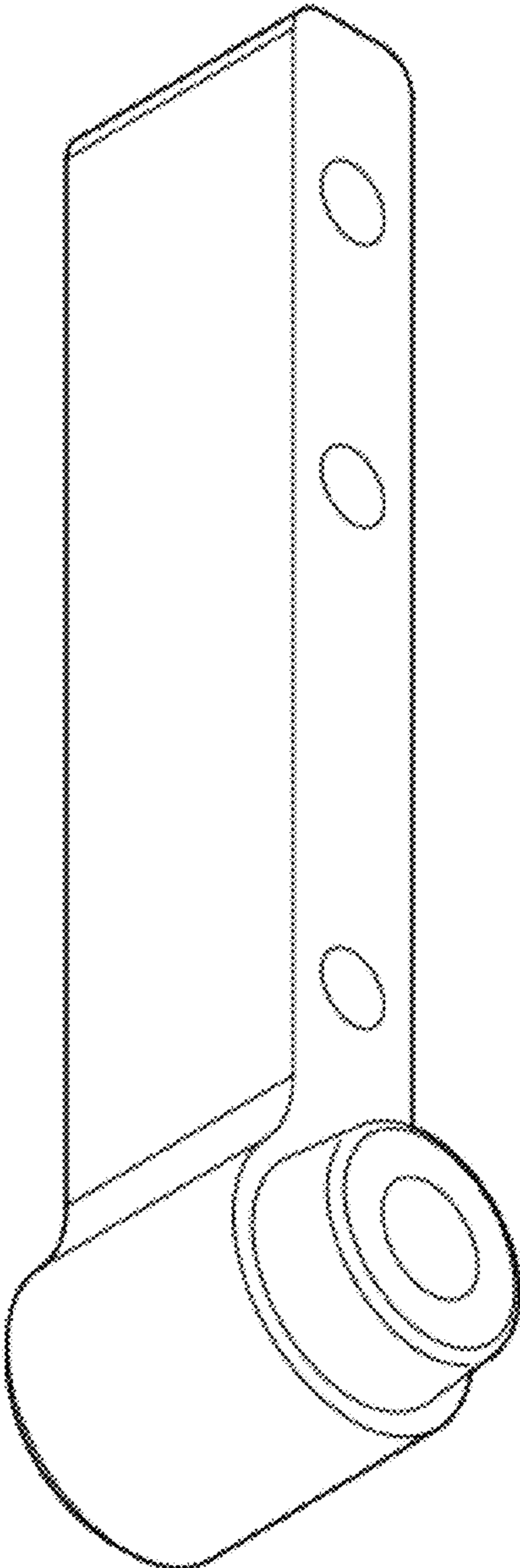


FIG.2

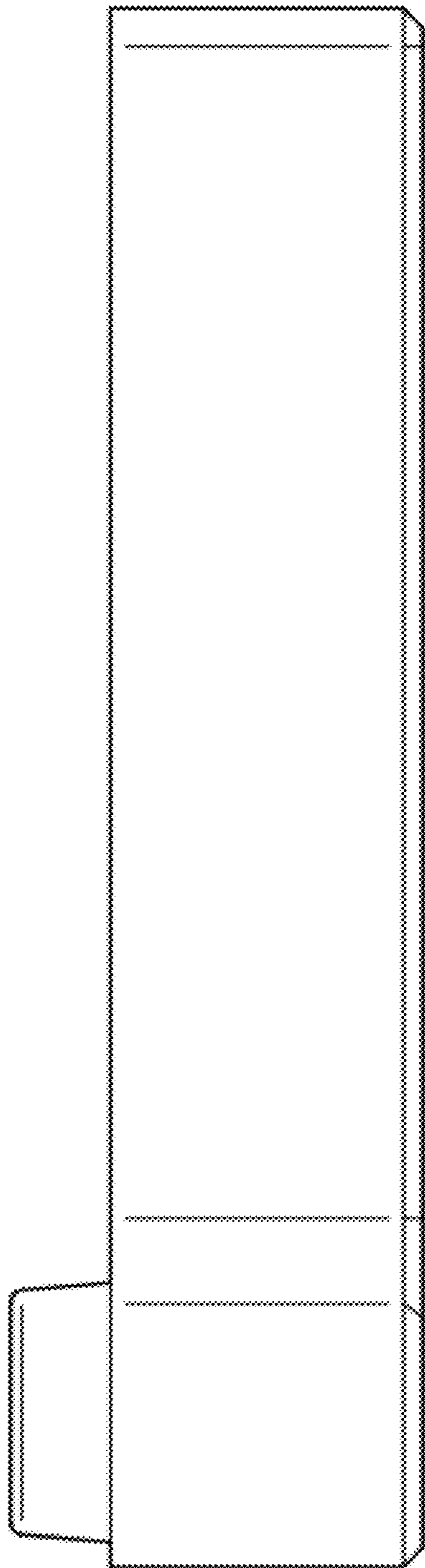


FIG. 3

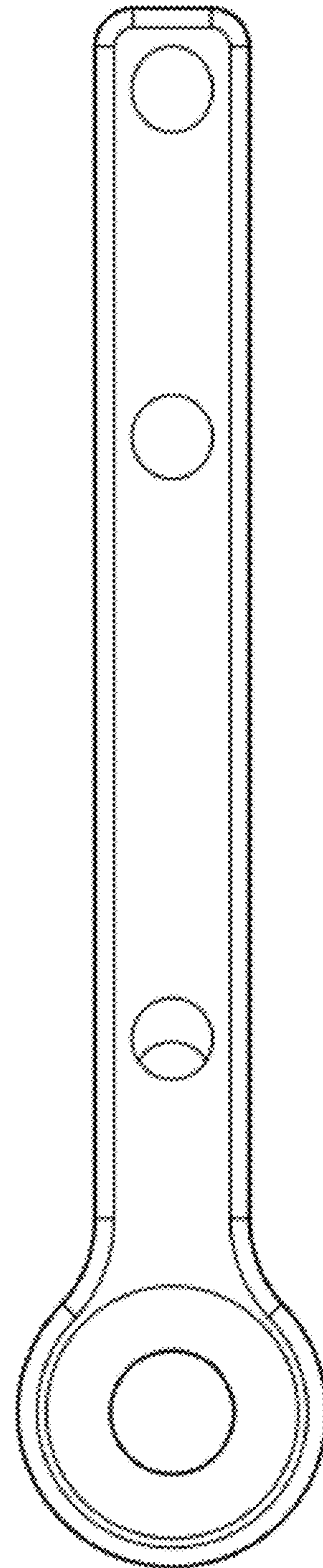


FIG. 4

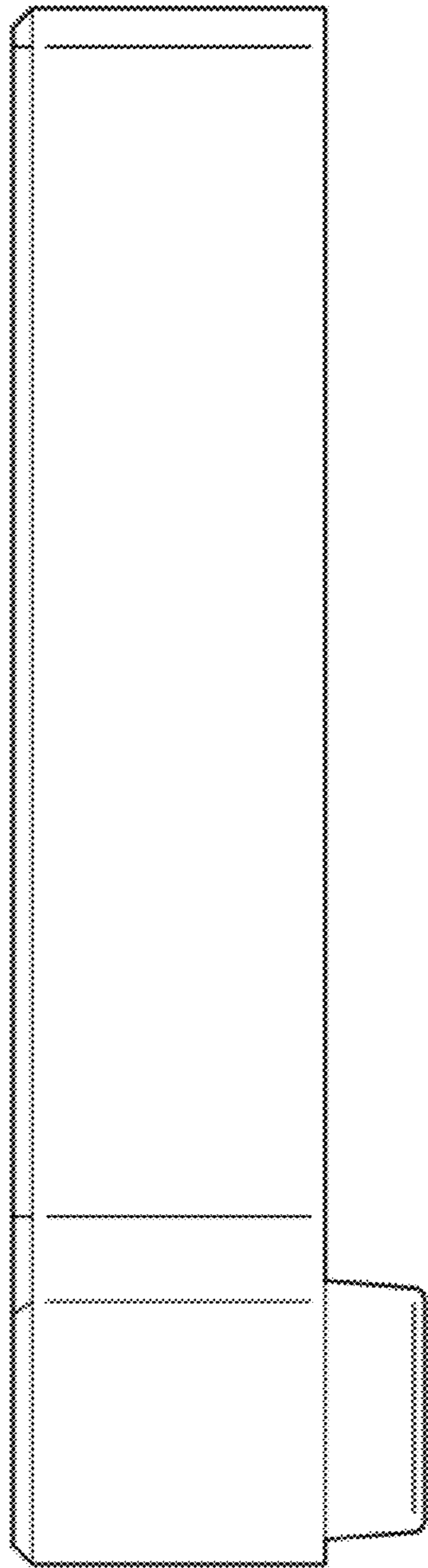


FIG. 5

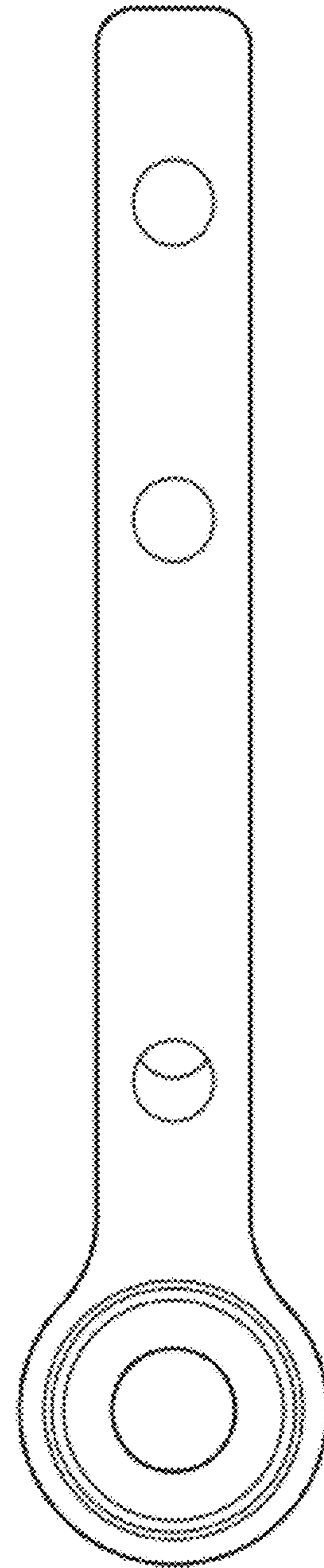


FIG. 6

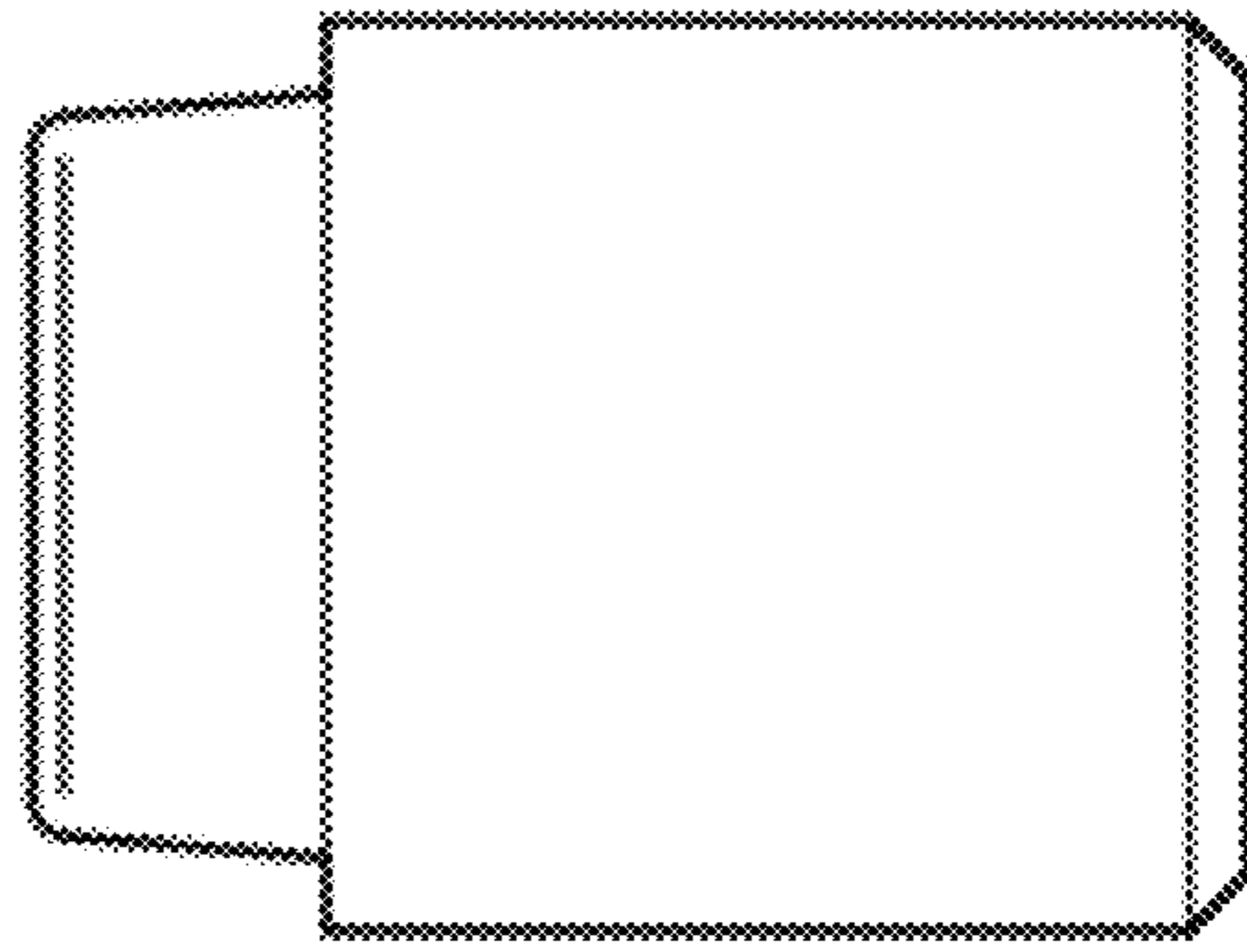


FIG. 7

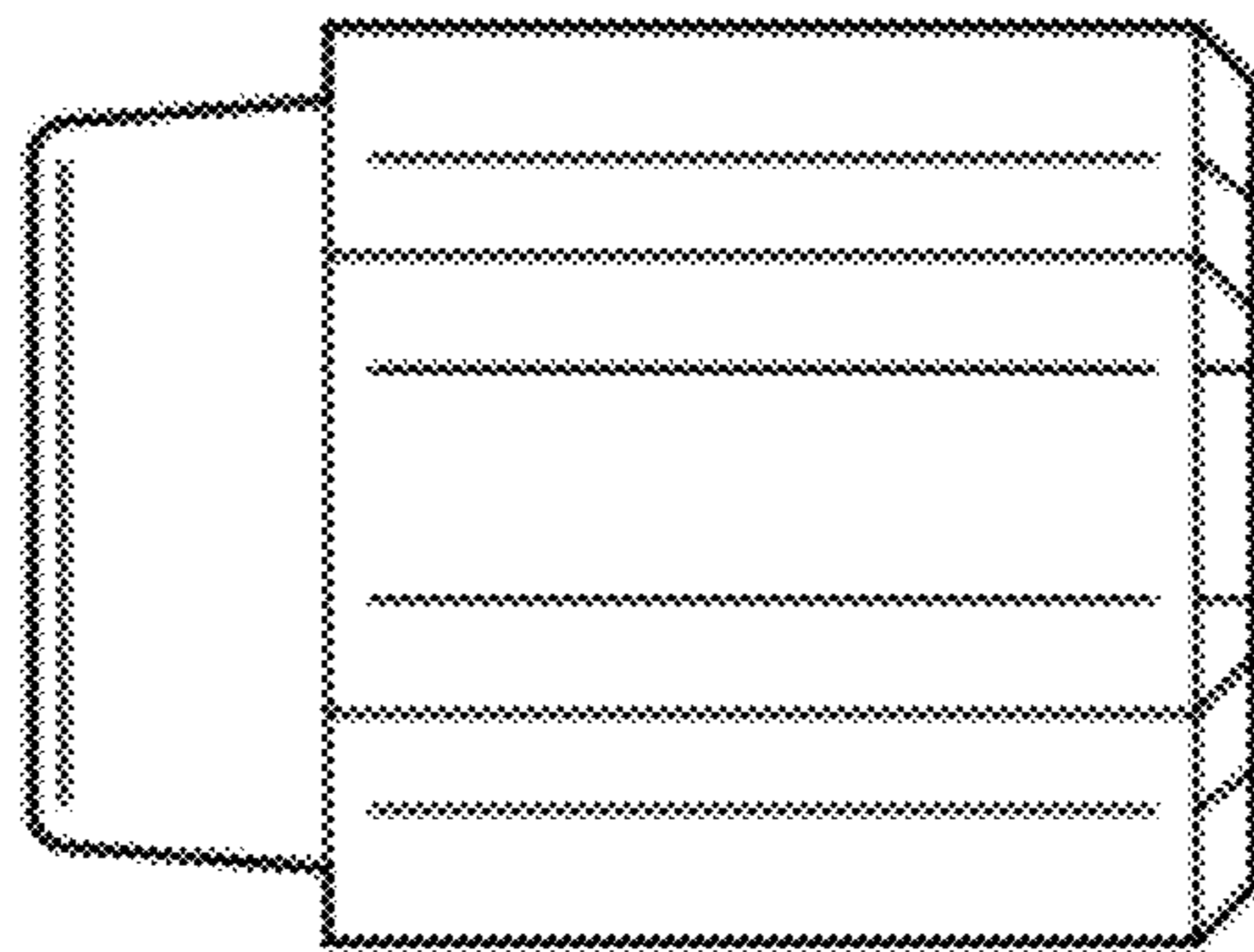


FIG. 8