



US00D667547S

(12) **United States Design Patent**
Czupalla

(10) **Patent No.:** **US D667,547 S**

(45) **Date of Patent:** **** Sep. 18, 2012**

(54) **MEDICAL DEVICE**

(75) **Inventor:** **Christian Czupalla**, Singen (DE)

(73) **Assignee:** **Karl Storz GmbH & Co. KG**,
Tuttlingen (DE)

(**) **Term:** **14 Years**

(21) **Appl. No.:** **29/403,089**

(22) **Filed:** **Sep. 30, 2011**

(30) **Foreign Application Priority Data**

Mar. 31, 2011 (EM) 001844184-0012

(51) **LOC (9) Cl.** **24-02**

(52) **U.S. Cl.** **D24/138**

(58) **Field of Classification Search** D24/138,
D24/137, 133; 600/101-183

See application file for complete search history.

(56) **References Cited**

U.S. PATENT DOCUMENTS

D286,566	S	*	11/1986	Vukovic	D24/138
5,031,603	A	*	7/1991	Gautier et al.	600/135
5,169,397	A	*	12/1992	Sakashita et al.	606/27
5,320,091	A	*	6/1994	Grossi et al.	600/104
D367,324	S	*	2/1996	McCarthy et al.	D24/112
5,509,892	A	*	4/1996	Bonnet	600/156
5,549,541	A	*	8/1996	Muller	600/105
D536,790	S	*	2/2007	Michel et al.	D24/137
D629,099	S	*	12/2010	Kilani	D24/133

D637,718	S	*	5/2011	Eisenkolb	D24/138
8,043,210	B2	*	10/2011	Lei	600/138
2010/0268023	A1	*	10/2010	Campo et al.	600/104
2012/0059219	A1	*	3/2012	St. George et al.	600/105

* cited by examiner

Primary Examiner — Bridget L Eland

(74) *Attorney, Agent, or Firm* — Muncy, Geissler, Olds & Lowe, PLLC

(57) **CLAIM**

The ornamental design for a medical device, as shown and described.

DESCRIPTION

FIG. 1 is a left side elevational view of a medical device according to the present invention;

FIG. 2 is a right side elevational view of the medical device of FIG. 1;

FIG. 3 is a front elevational view of the medical device of FIG. 1;

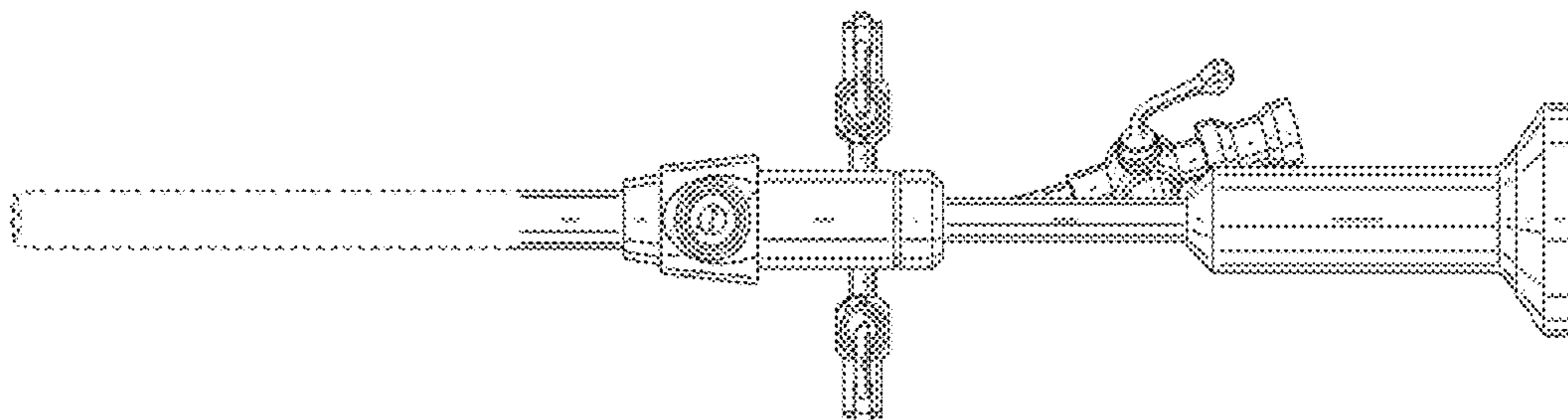
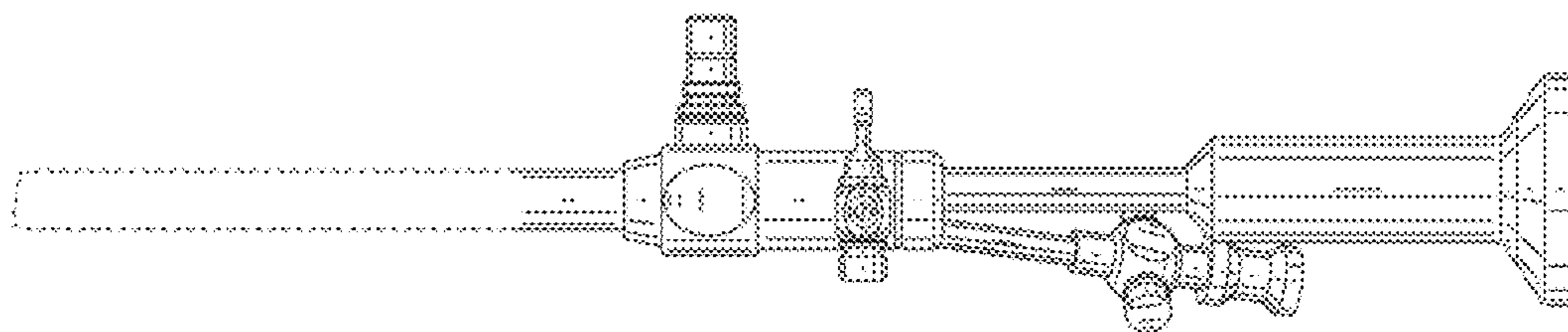
FIG. 4 is a rear elevational view of the medical device of FIG. 1;

FIG. 5 is a top plan view of the medical device of FIG. 1;

FIG. 6 is a bottom plan view of the medical device of FIG. 1; and,

FIG. 7 is a three quarter view of the medical device of FIG. 1. The dashed lines illustrate environment that does not form a part of the present invention, and no claim is made to the material illustrated with dashed lines.

1 Claim, 6 Drawing Sheets



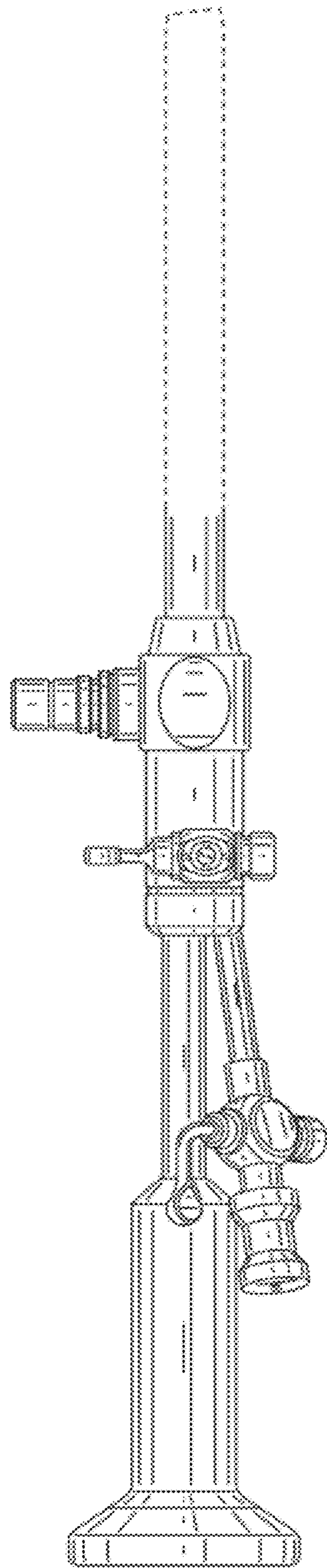


FIG. 1

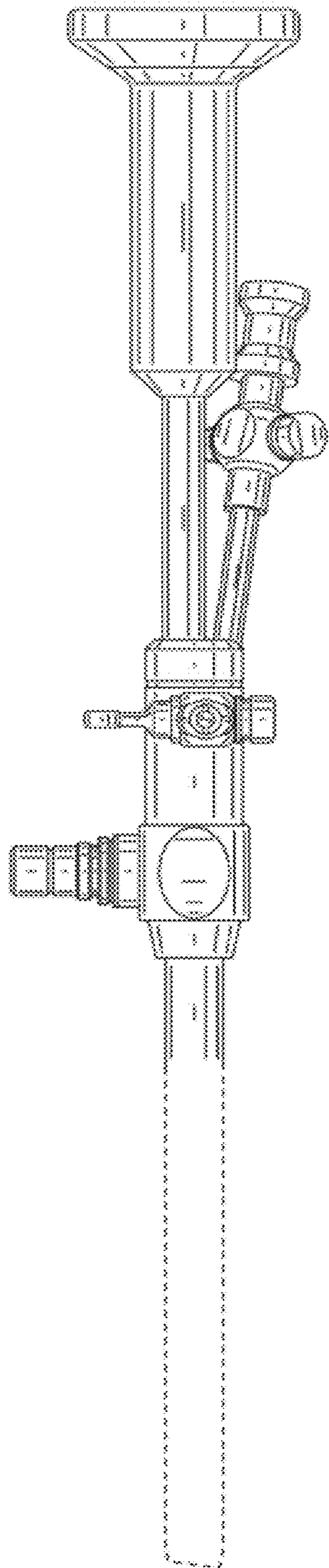


FIG. 2

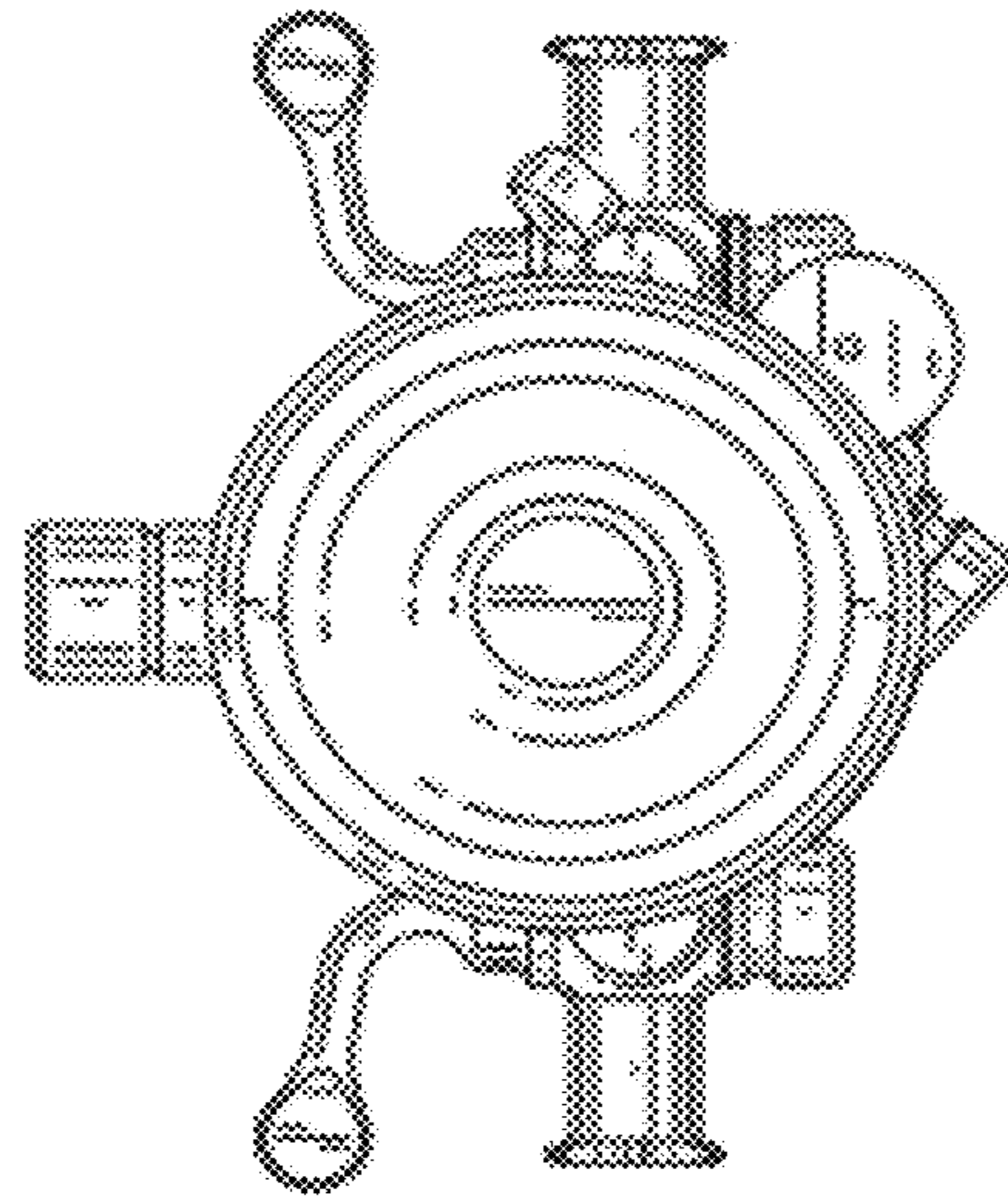


FIG. 4

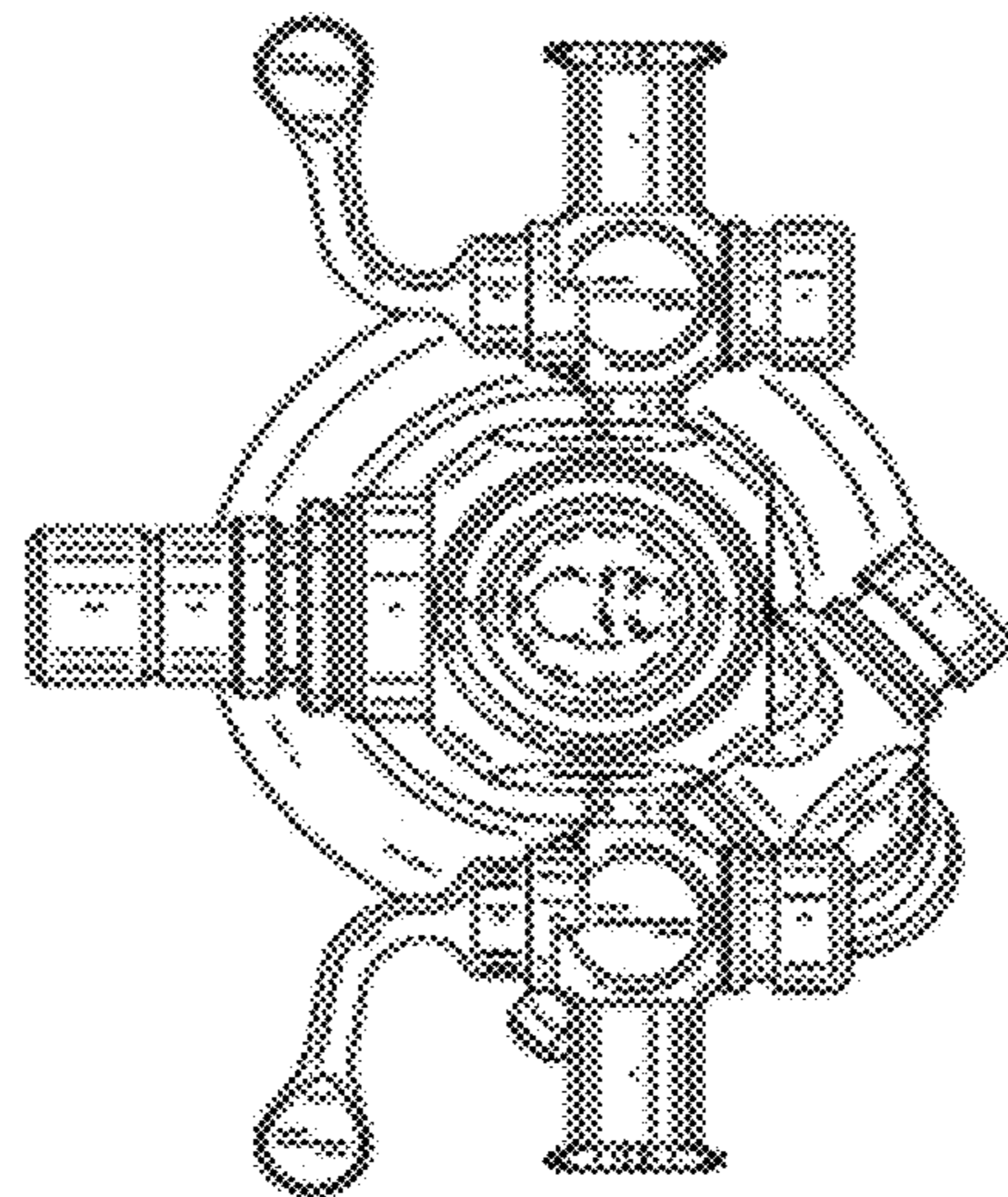


FIG. 3

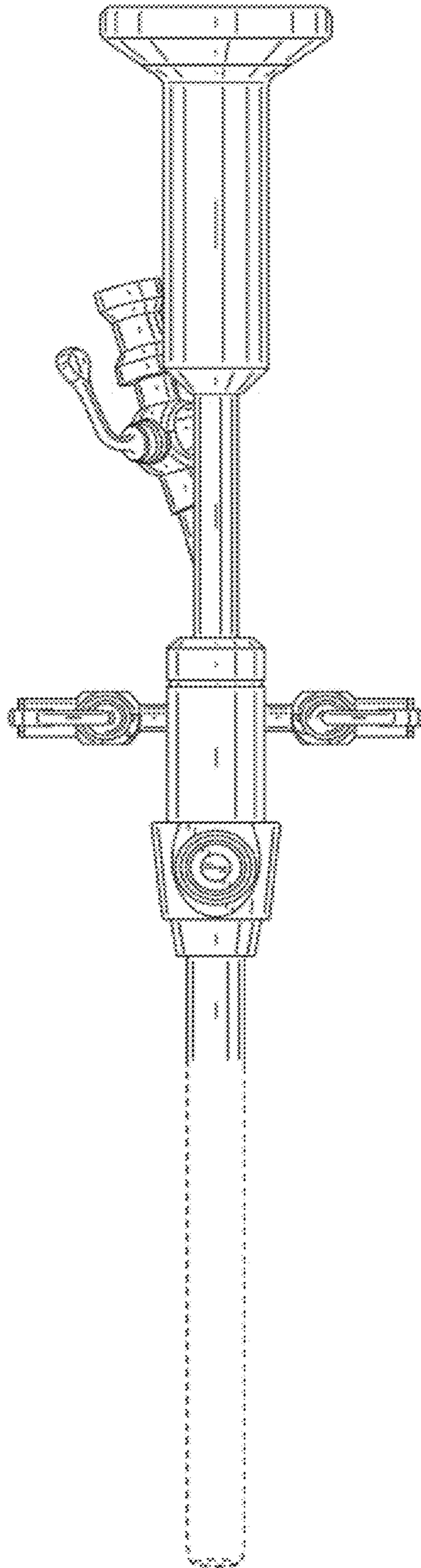


FIG. 5

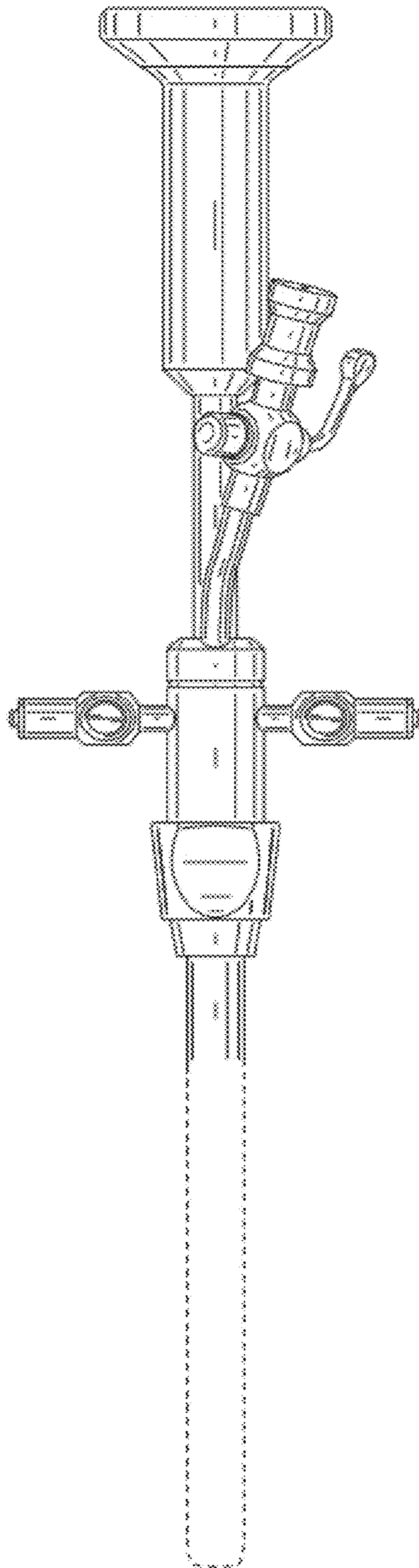


FIG. 6

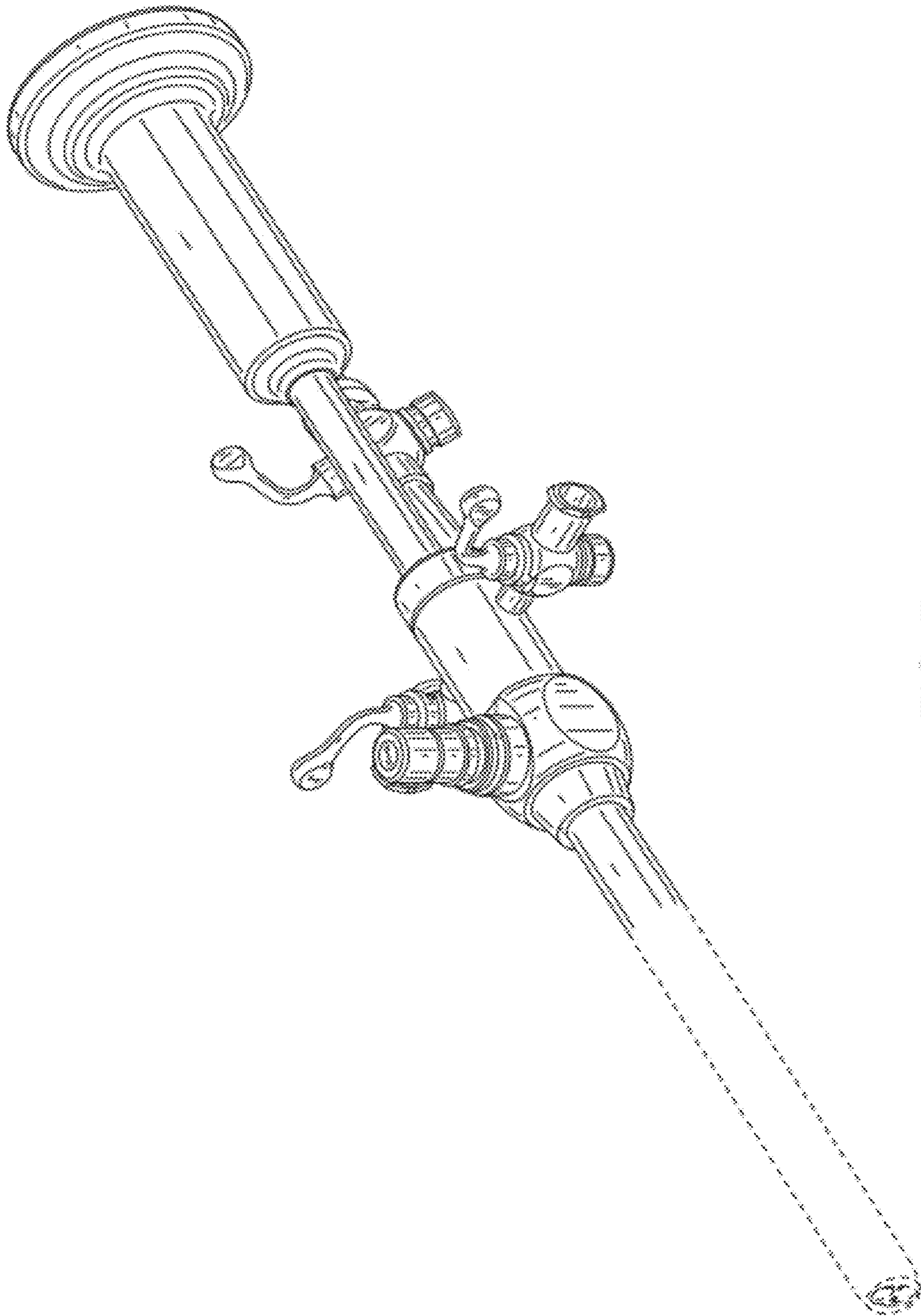


FIG. 7