



US00D667546S

(12) **United States Design Patent**
Becker

(10) **Patent No.:** **US D667,546 S**

(45) **Date of Patent:** **** Sep. 18, 2012**

(54) **MEDICAL DEVICE**

(75) Inventor: **Wolfram Becker**, Laer (DE)

(73) Assignee: **Karl Storz GmbH & Co. KG**,
Tuttlingen (DE)

(**) Term: **14 Years**

(21) Appl. No.: **29/403,074**

(22) Filed: **Sep. 30, 2011**

(30) **Foreign Application Priority Data**

Mar. 31, 2011 (EM) 001844184-0018

(51) **LOC (9) Cl.** **24-02**

(52) **U.S. Cl.** **D24/138**

(58) **Field of Classification Search** D24/138,
D24/137, 133; 600/101-183
See application file for complete search history.

(56) **References Cited**

U.S. PATENT DOCUMENTS

2,691,370	A *	10/1954	Wallace	600/104
3,368,552	A *	2/1968	Bottcher	600/107
D254,270	S *	2/1980	Ziegler	D24/138
4,974,580	A *	12/1990	Anaplotis	600/122
5,031,603	A *	7/1991	Gautier et al.	600/135
5,383,876	A *	1/1995	Nardella	606/49
D367,324	S *	2/1996	McCarthy et al.	D24/112
D536,790	S *	2/2007	Michel et al.	D24/137
D548,340	S *	8/2007	Michel et al.	D24/138

D570,482	S *	6/2008	Bettocchi	D24/138
7,658,711	B2 *	2/2010	Klemm	600/182
D631,545	S *	1/2011	Halder et al.	D24/137
2006/0089534	A1 *	4/2006	Michel et al.	600/135

* cited by examiner

Primary Examiner — Bridget L Eland

(74) *Attorney, Agent, or Firm* — Muncy, Geissler, Olds & Lowe, PLLC

(57) **CLAIM**

The ornamental design for a medical device, as shown and described.

DESCRIPTION

FIG. 1 is a left side elevational view of a medical device according to the present invention;

FIG. 2 is a right side elevational view of the medical device of FIG. 1;

FIG. 3 is a front elevational view of the medical device of FIG. 1;

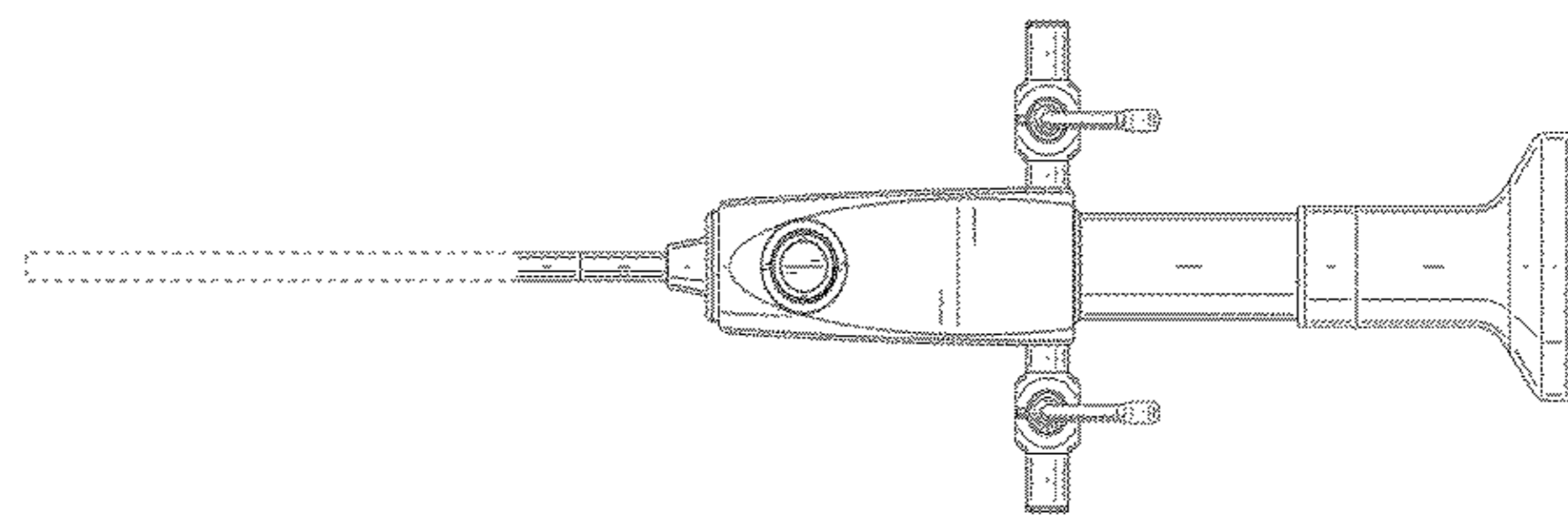
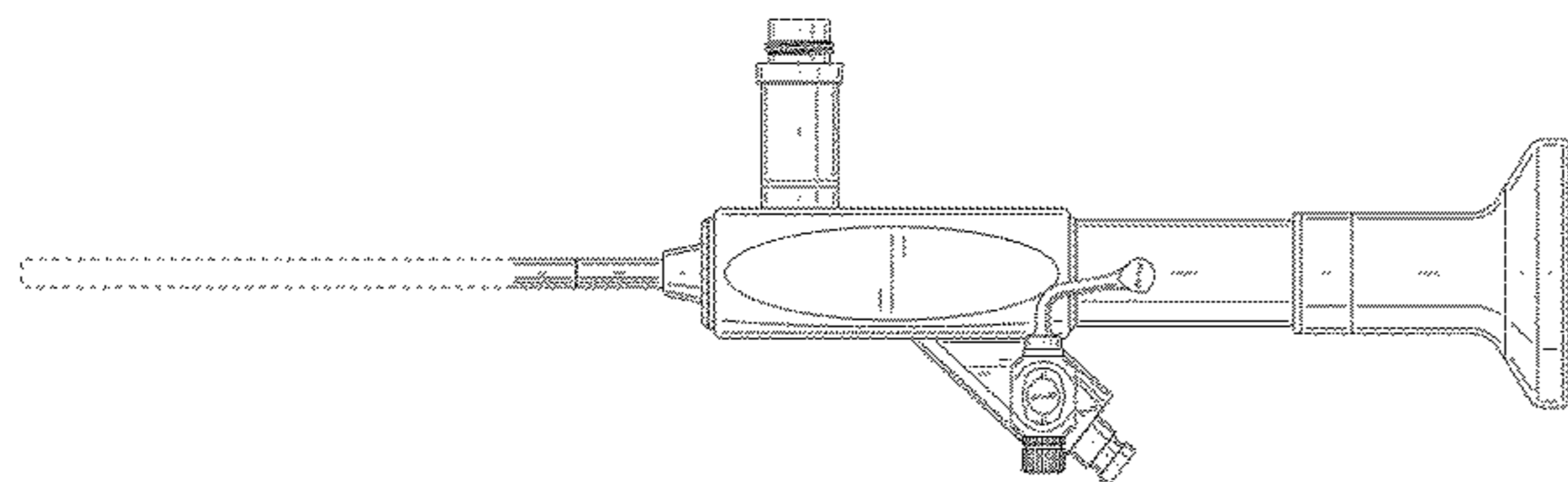
FIG. 4 is a rear elevational view of the medical device of FIG. 1;

FIG. 5 is a top plan view of the medical device of FIG. 1;

FIG. 6 is a bottom plan view of the medical device of FIG. 1; and,

FIG. 7 is a three quarter view of the medical device of FIG. 1. The dashed lines illustrate environment that does not form a part of the present invention, and no claim is made to the material illustrated with dashed lines.

1 Claim, 6 Drawing Sheets



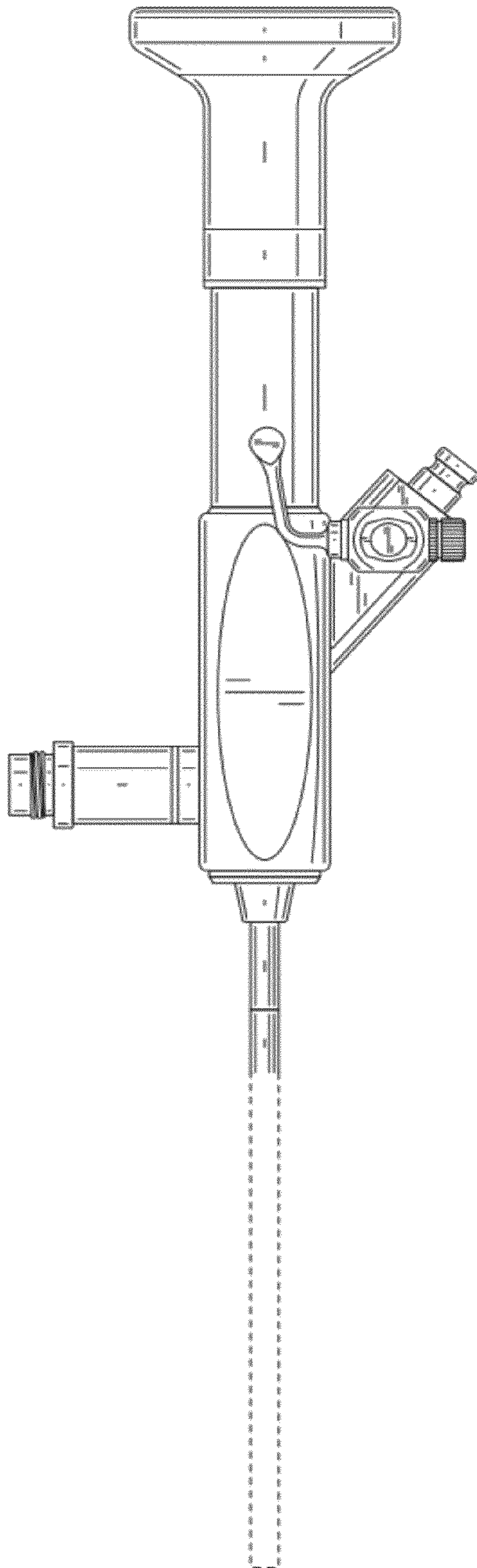


FIG. 1

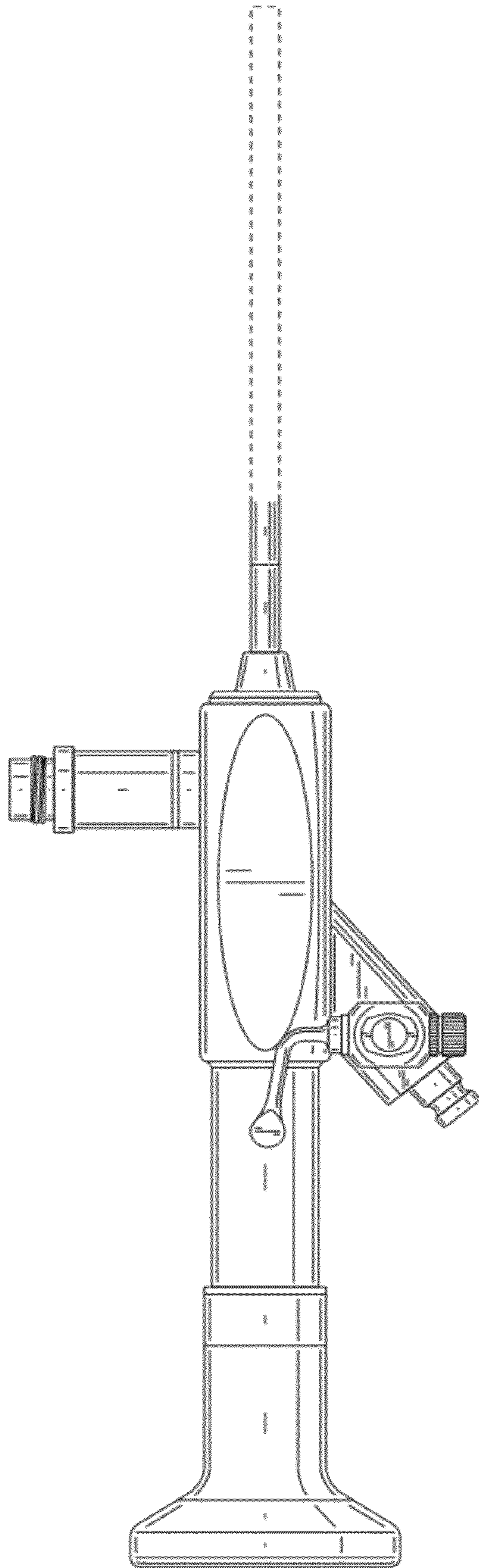


FIG. 2

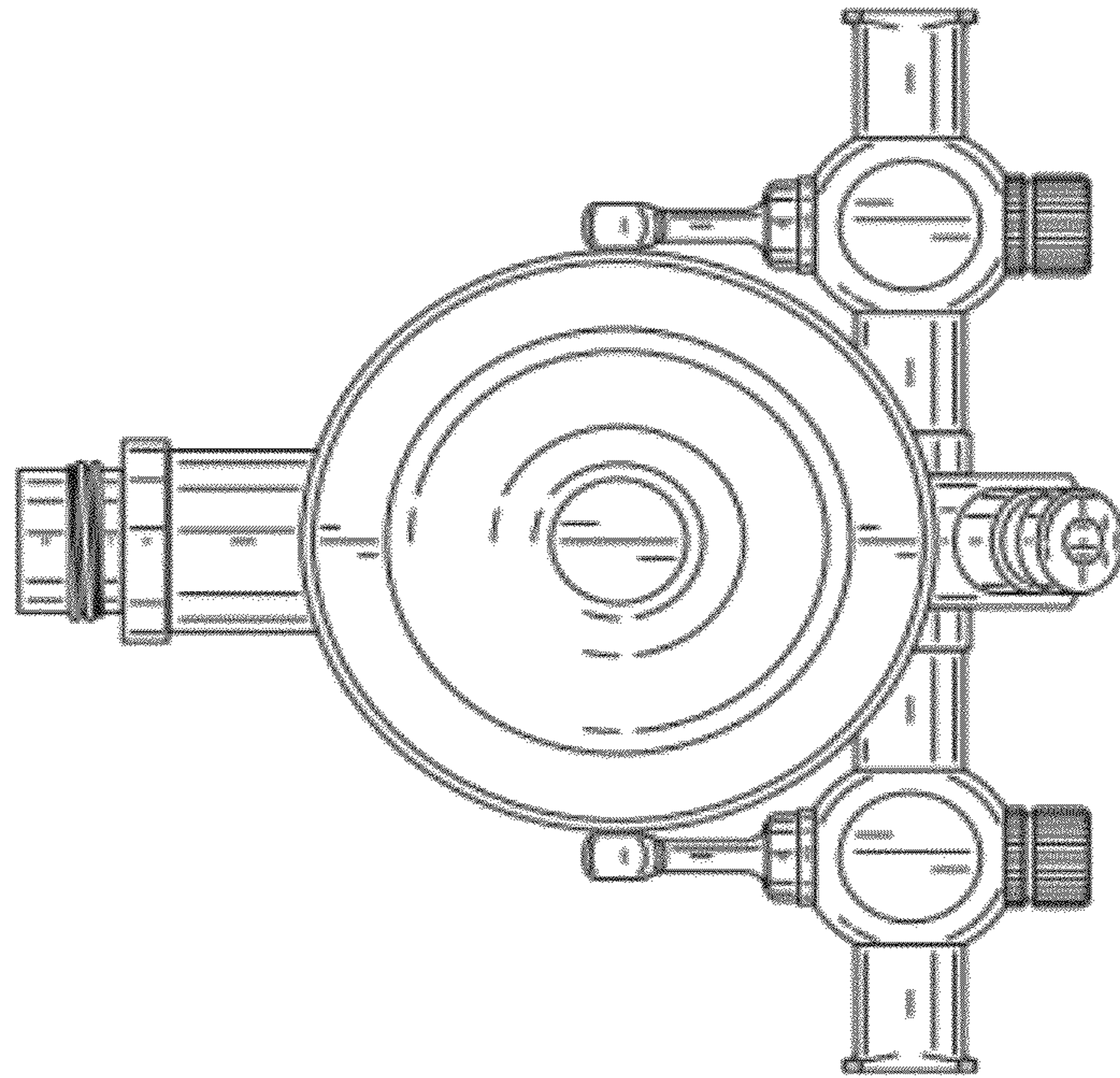


FIG. 4

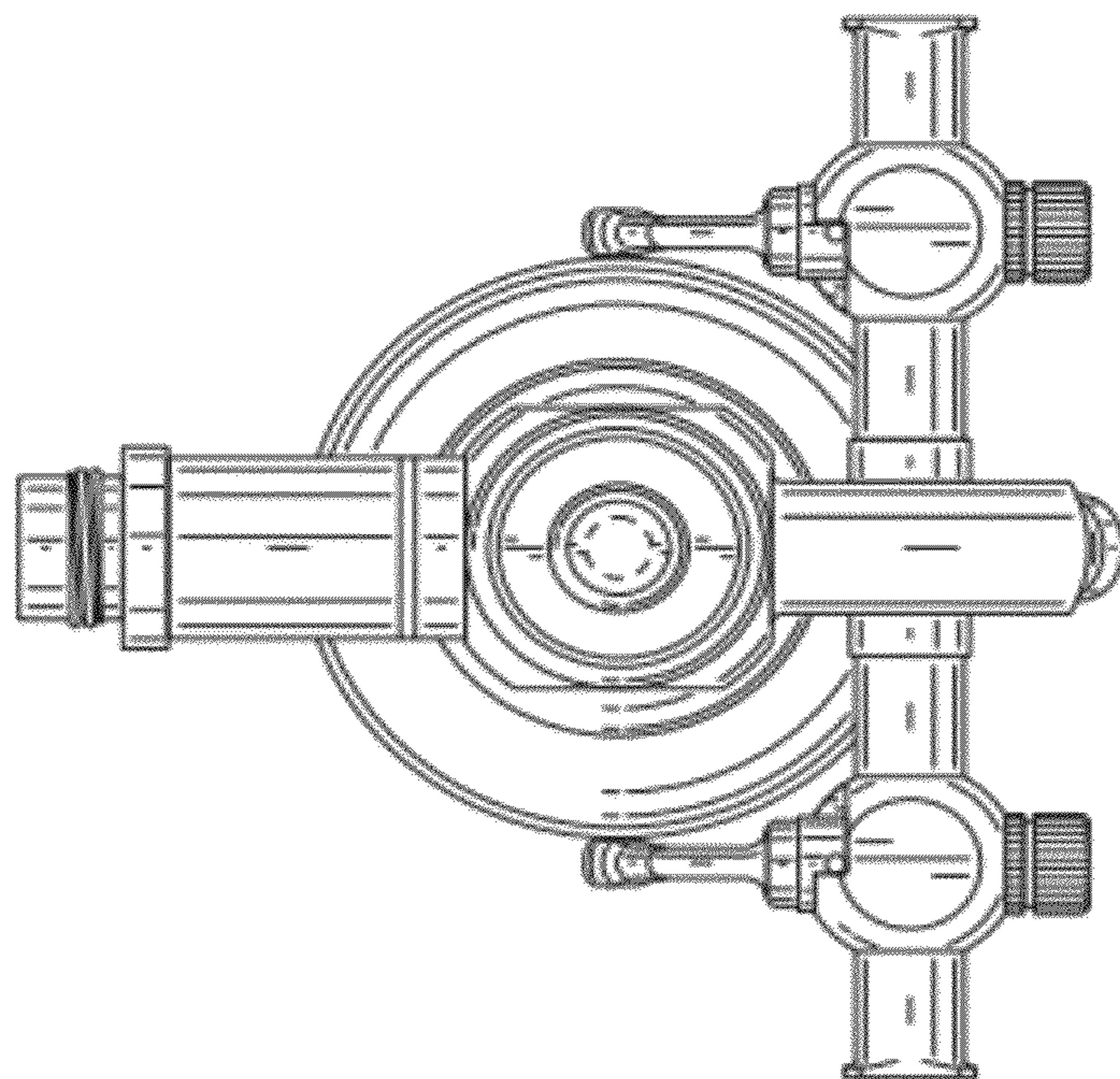


FIG. 3

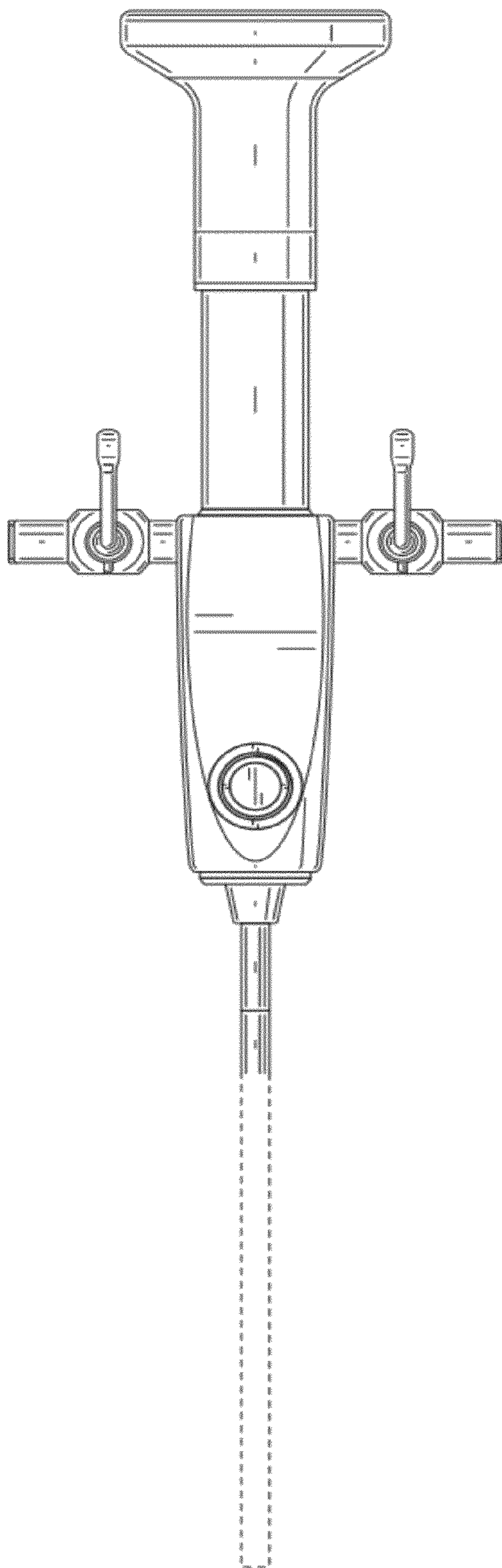


FIG. 5

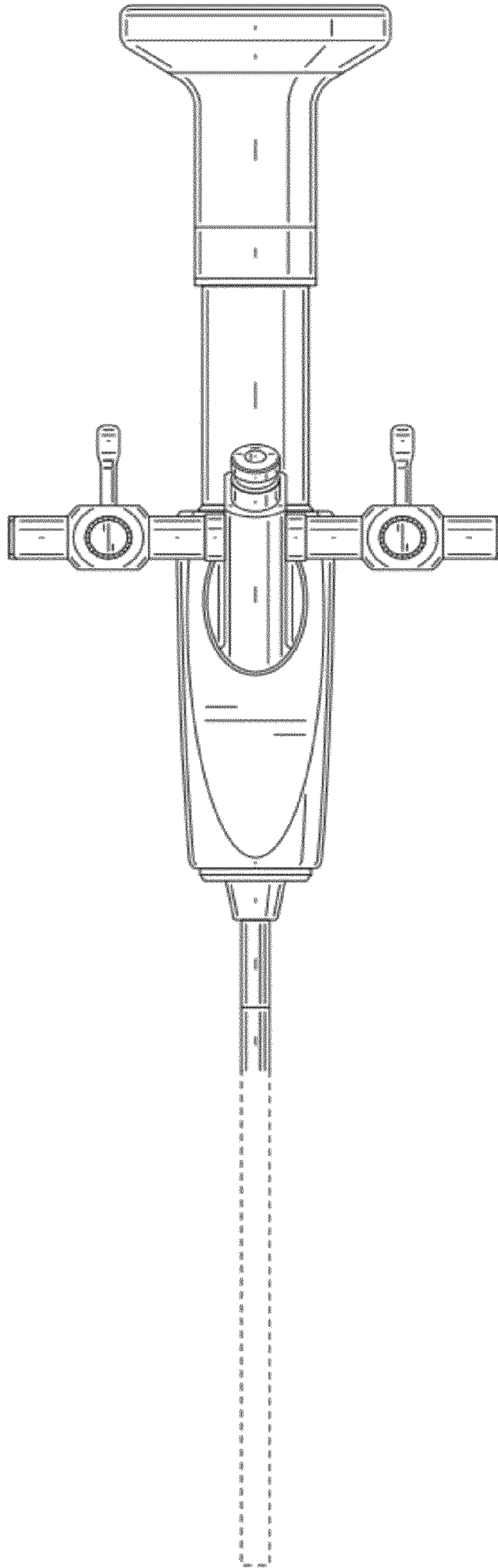


FIG. 6

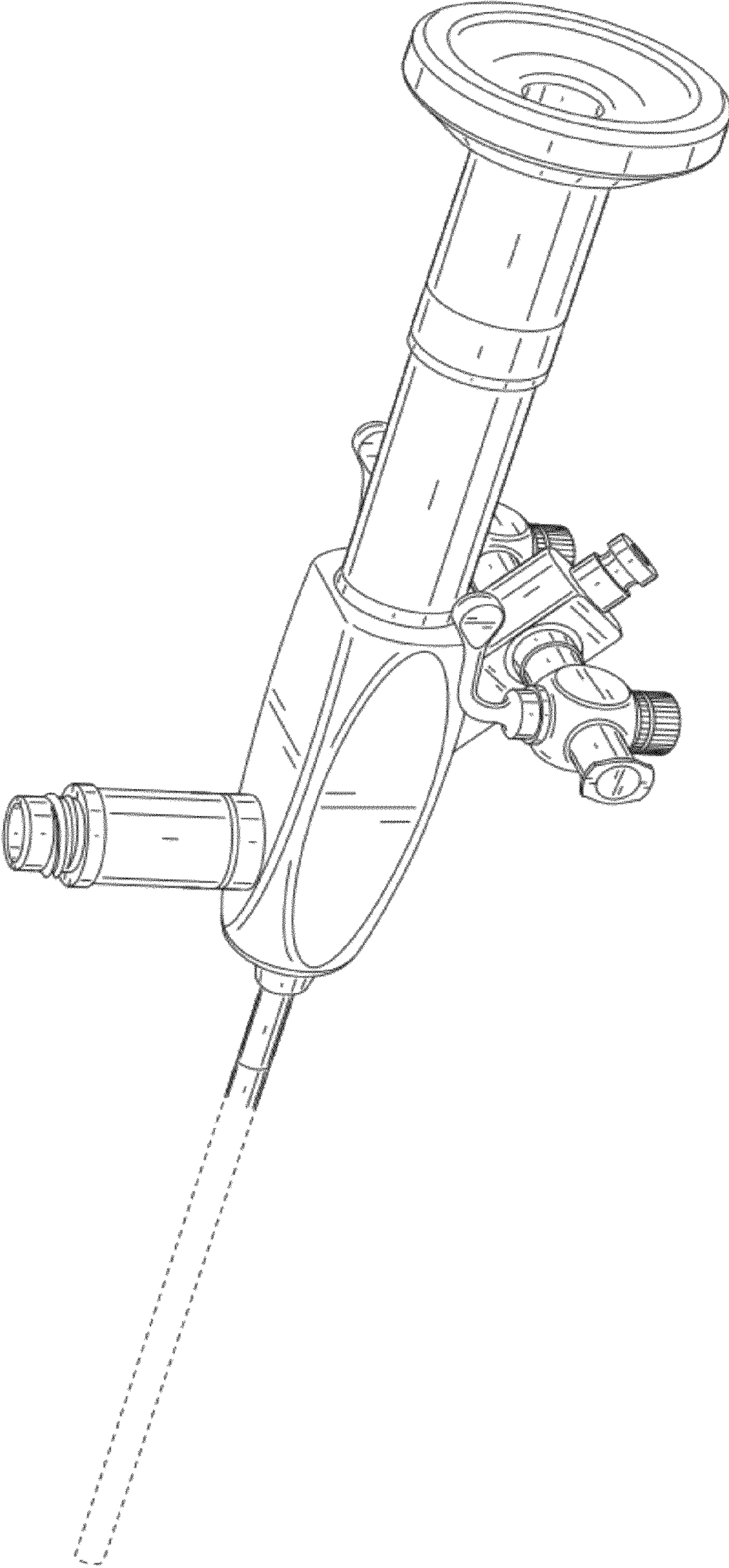


FIG. 7