



US00D667545S

(12) **United States Design Patent**  
**Czupalla**

(10) **Patent No.:** **US D667,545 S**

(45) **Date of Patent:** **\*\* Sep. 18, 2012**

(54) **OPTICAL UNIT FOR MEDICAL DEVICE**

(75) **Inventor:** **Christian Czupalla**, Singen (DE)

(73) **Assignee:** **Karl Storz GmbH & Co. KG**,  
Tuttlingen (DE)

(\*\*) **Term:** **14 Years**

(21) **Appl. No.:** **29/401,040**

(22) **Filed:** **Sep. 6, 2011**

(30) **Foreign Application Priority Data**

Mar. 3, 2011 (EM) ..... 001830274-0002

(51) **LOC (9) Cl.** ..... **24-02**

(52) **U.S. Cl.** ..... **D24/137; D24/138**

(58) **Field of Classification Search** ..... D24/138,  
D24/137, 133; 600/101-183

See application file for complete search history.

(56) **References Cited**

**U.S. PATENT DOCUMENTS**

6,743,166	B2 *	6/2004	Berci et al.	600/120
D585,923	S *	2/2009	Berci	D16/130
D598,099	S *	8/2009	Halbig	D24/138
D612,497	S *	3/2010	Berci	D24/138
D637,718	S *	5/2011	Eisenkolb	D24/138
D645,963	S *	9/2011	Buerk et al.	D24/138
D647,614	S *	10/2011	Becker	D24/138
D648,022	S *	11/2011	Becker	D24/138
D650,077	S *	12/2011	Becker	D24/138
D657,463	S *	4/2012	Becker	D24/138

D657,464	S *	4/2012	Becker	D24/138
D657,870	S *	4/2012	Becker	D24/138
2010/0022838	A1 *	1/2010	Hoeg	600/131

\* cited by examiner

*Primary Examiner* — Bridget L Eland

(74) *Attorney, Agent, or Firm* — Muncy, Geissler, Olds & Lowe, PLLC

(57) **CLAIM**

The ornamental design for a optical unit for medical device, as shown and described.

**DESCRIPTION**

FIG. 1 is a left side elevational view of an optical unit for medical device according to the present invention;

FIG. 2 is a right side elevational view of the optical unit for medical device of FIG. 1;

FIG. 3 is a top plan view of the optical unit for medical device of FIG. 1;

FIG. 4 is a bottom plan view of the optical unit for medical device of FIG. 1;

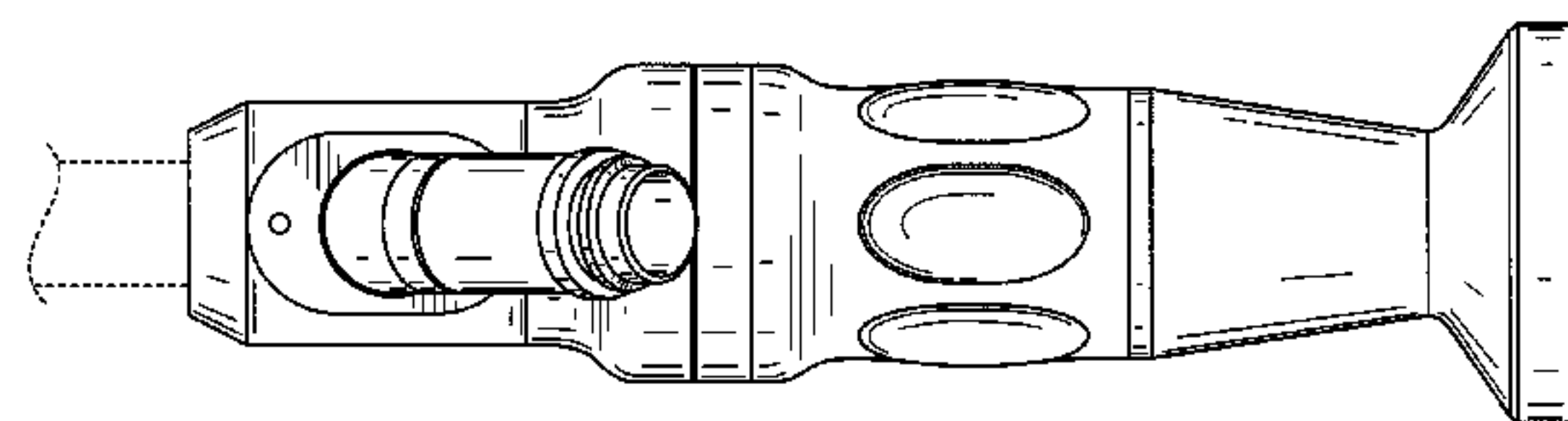
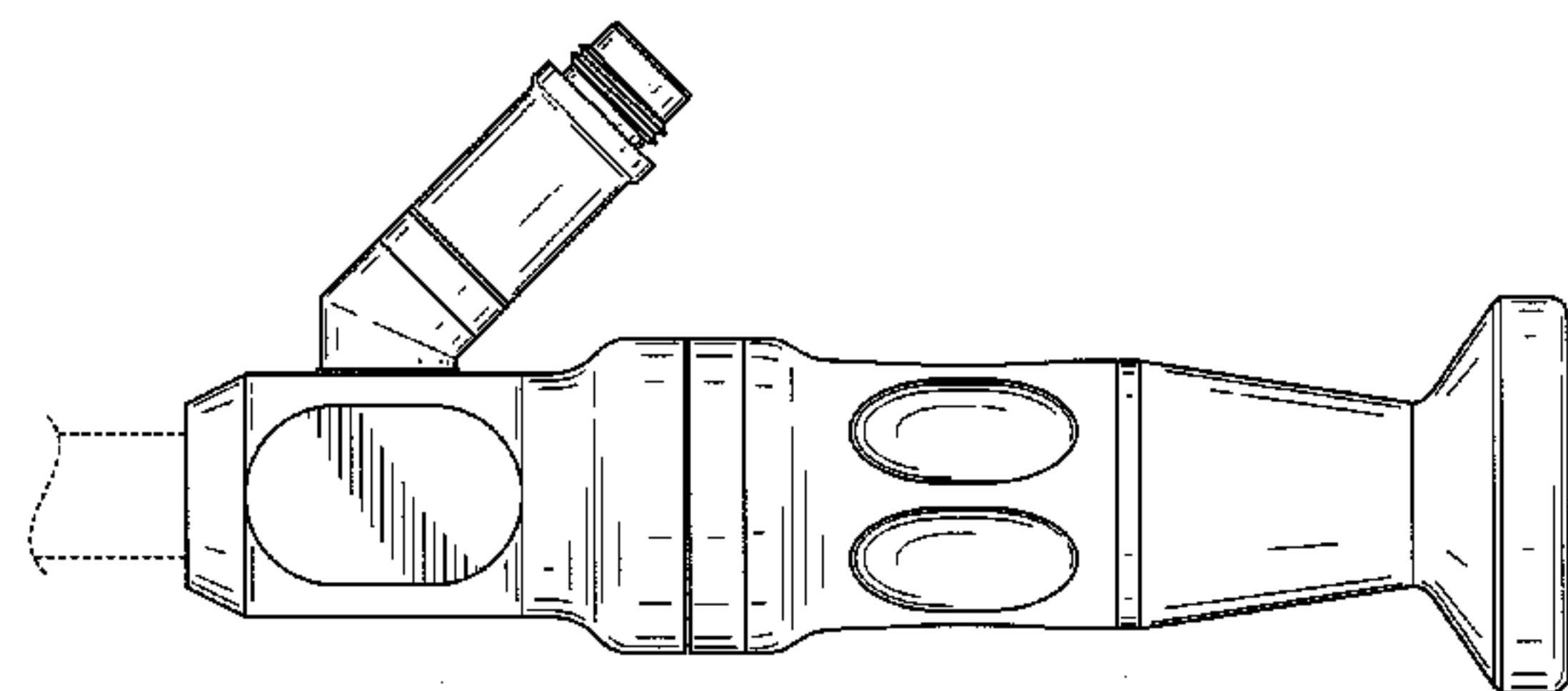
FIG. 5 is a perspective view showing the front and top of the optical unit for medical device of FIG. 1;

FIG. 6 is a perspective view showing the front and bottom of the optical unit for medical device of FIG. 1; and,

FIG. 7 is a three quarter view of the optical unit for medical device of FIG. 1.

The dashed lines illustrate environment that does not form a part of the present invention, and no claim is made to the material illustrated with dashed lines.

**1 Claim, 7 Drawing Sheets**



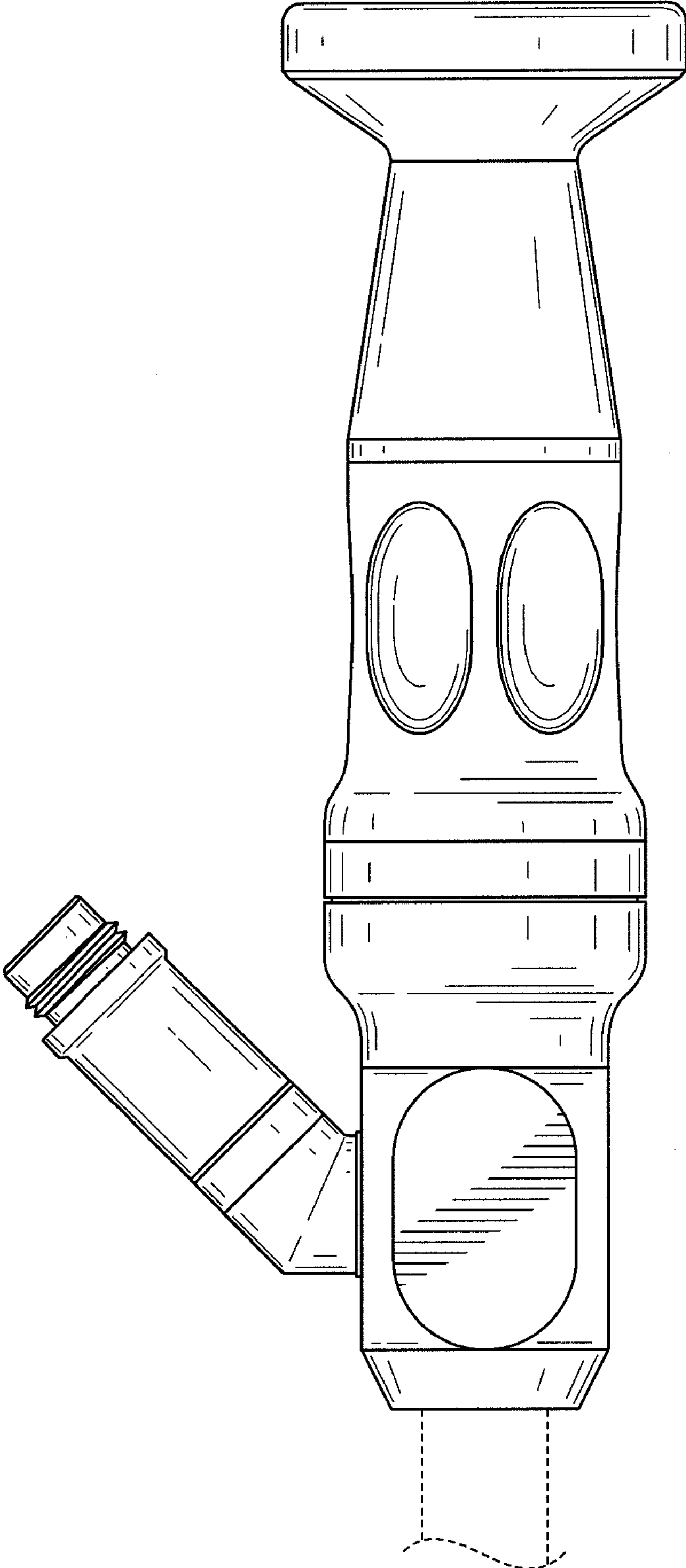


FIG. 1

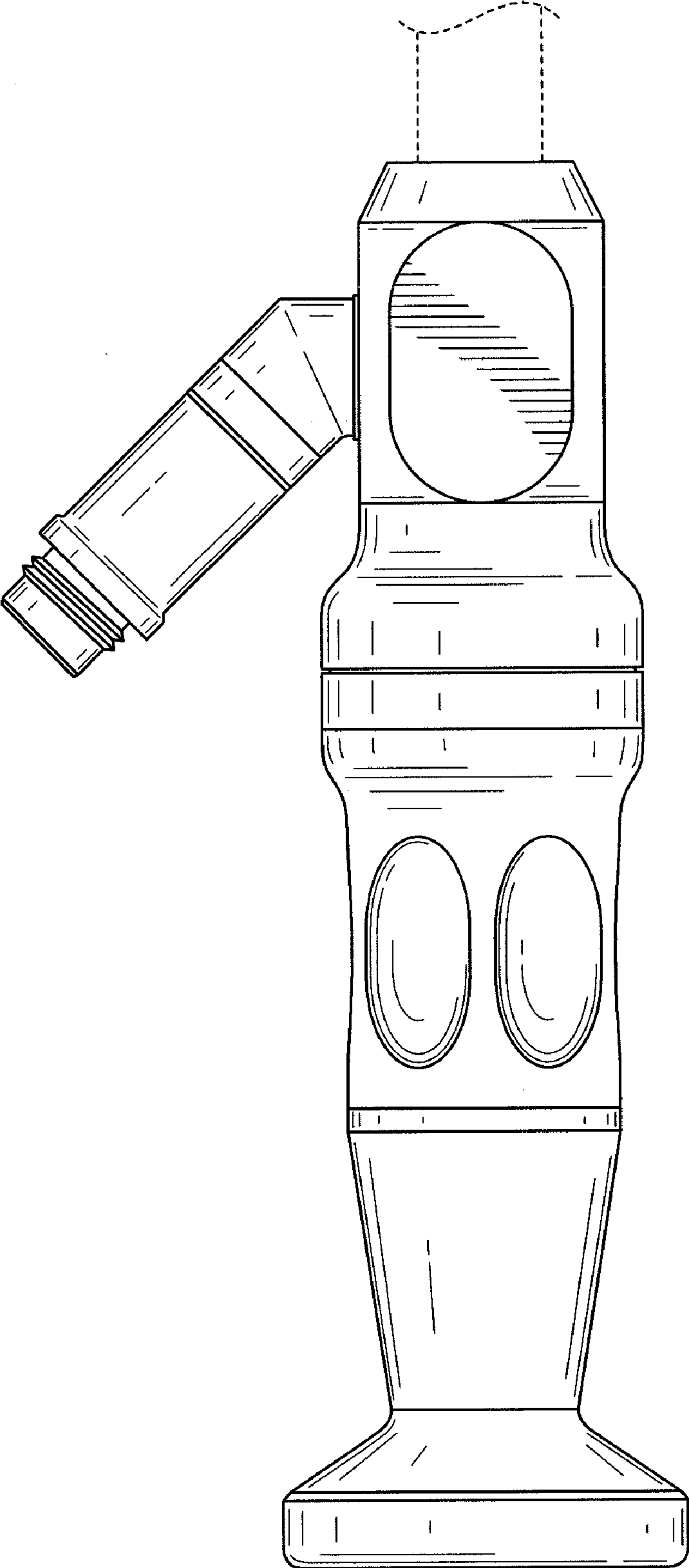


FIG. 2

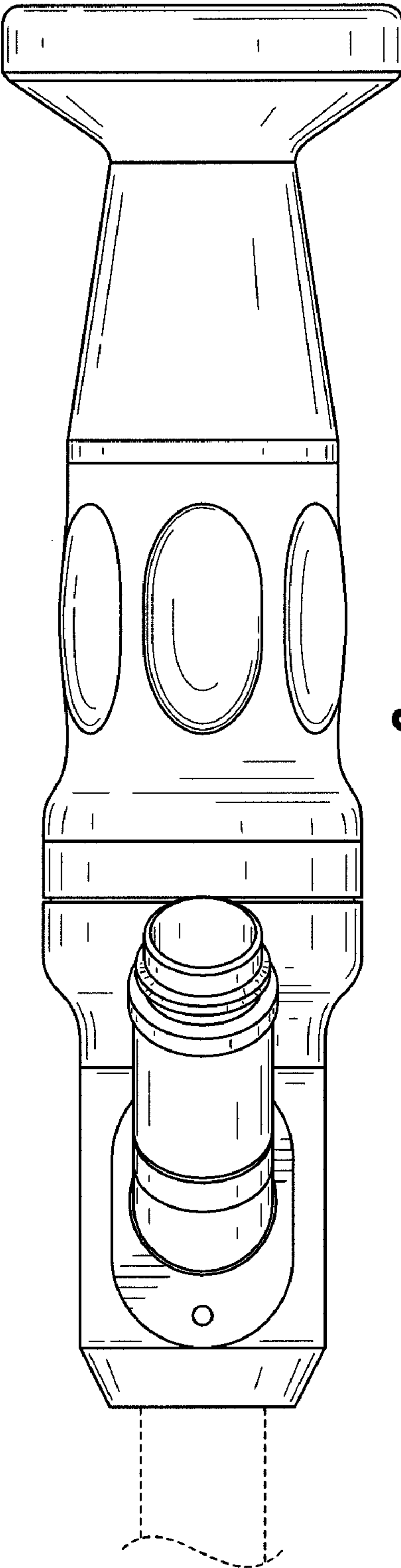


FIG. 3

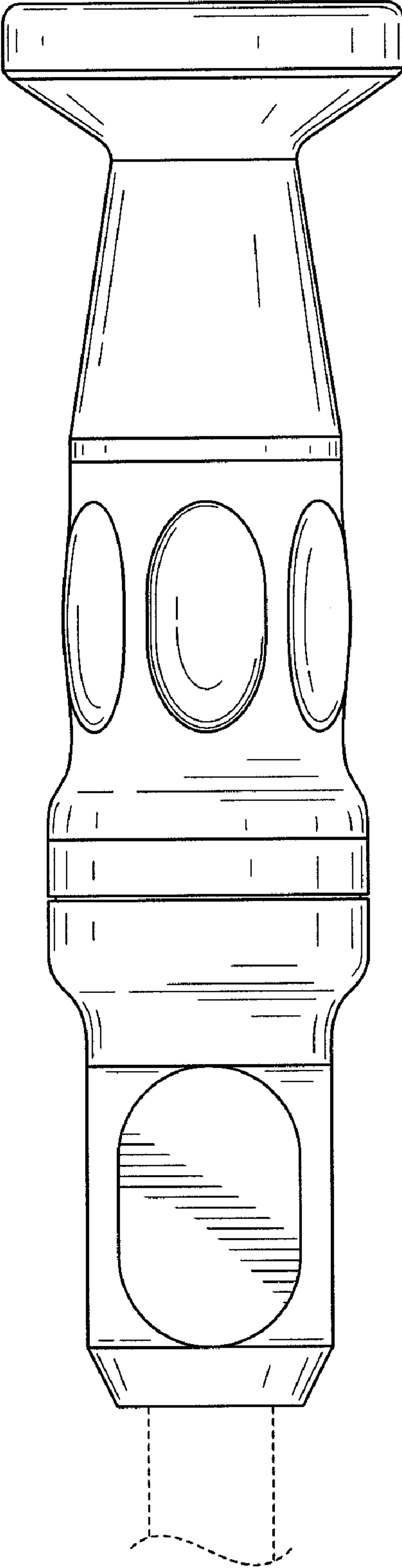


FIG. 4

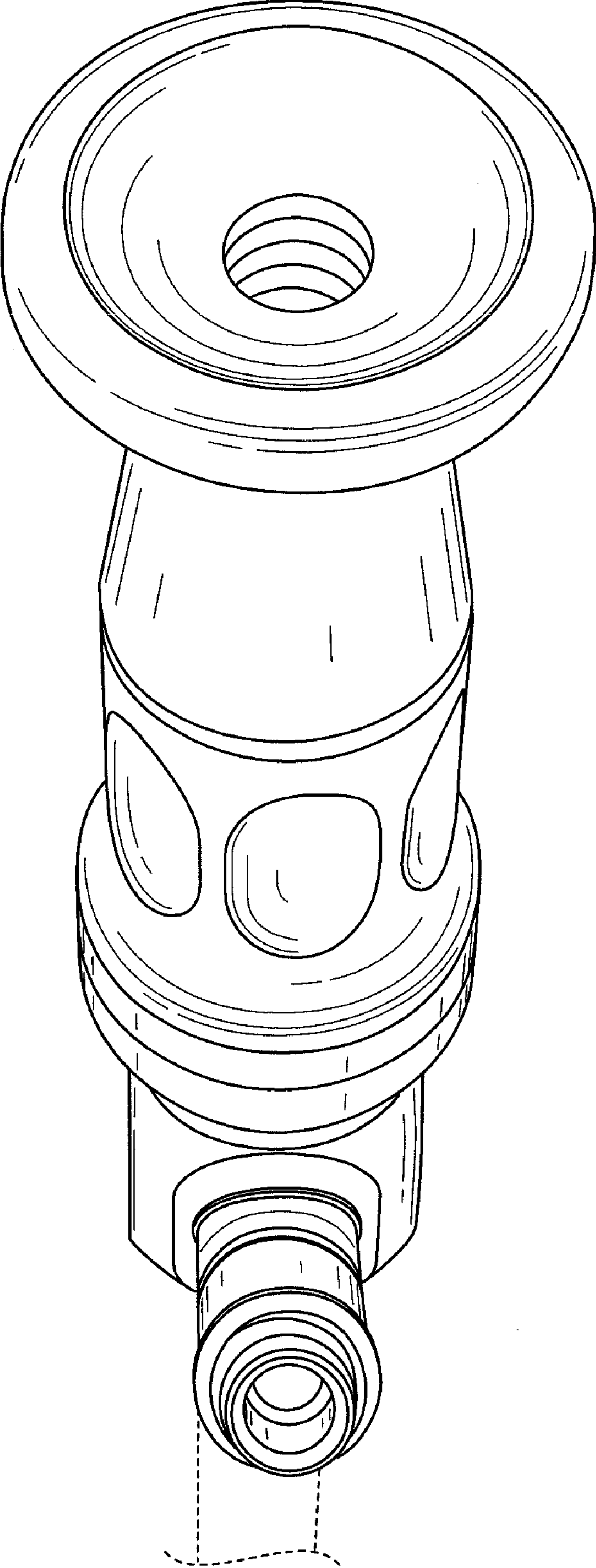


FIG. 5



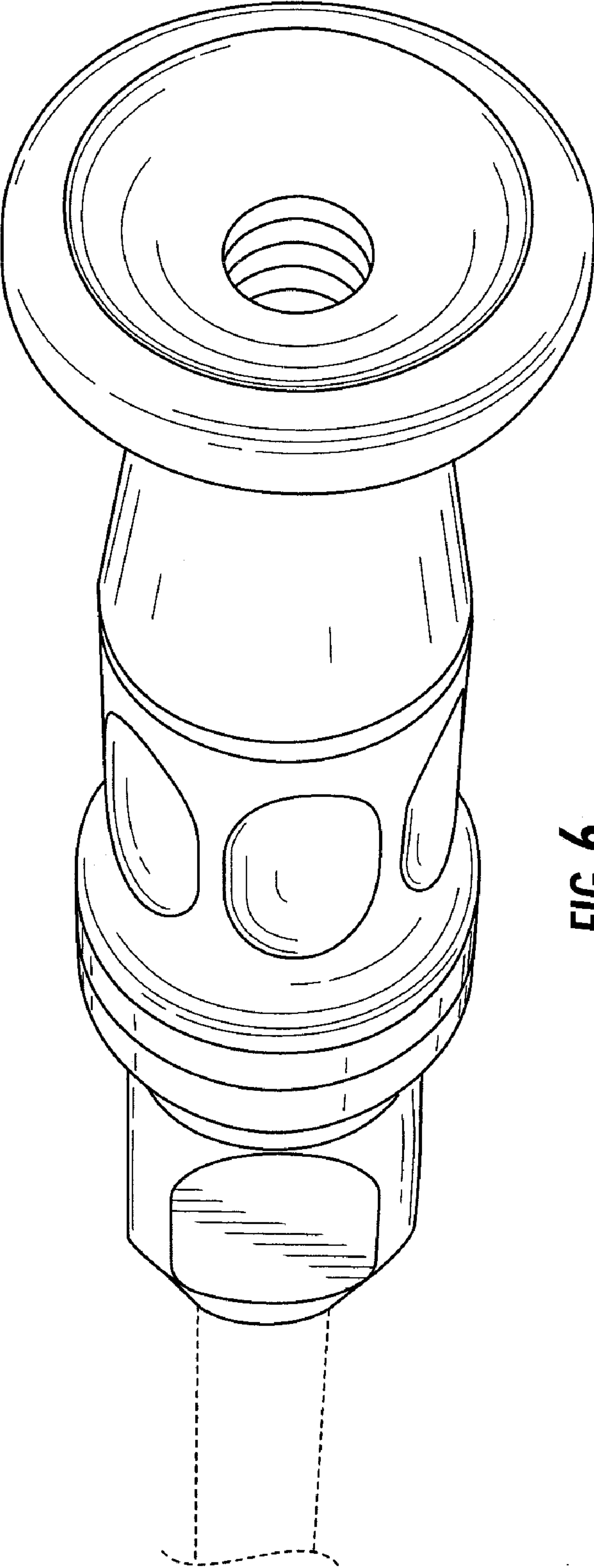


FIG. 6

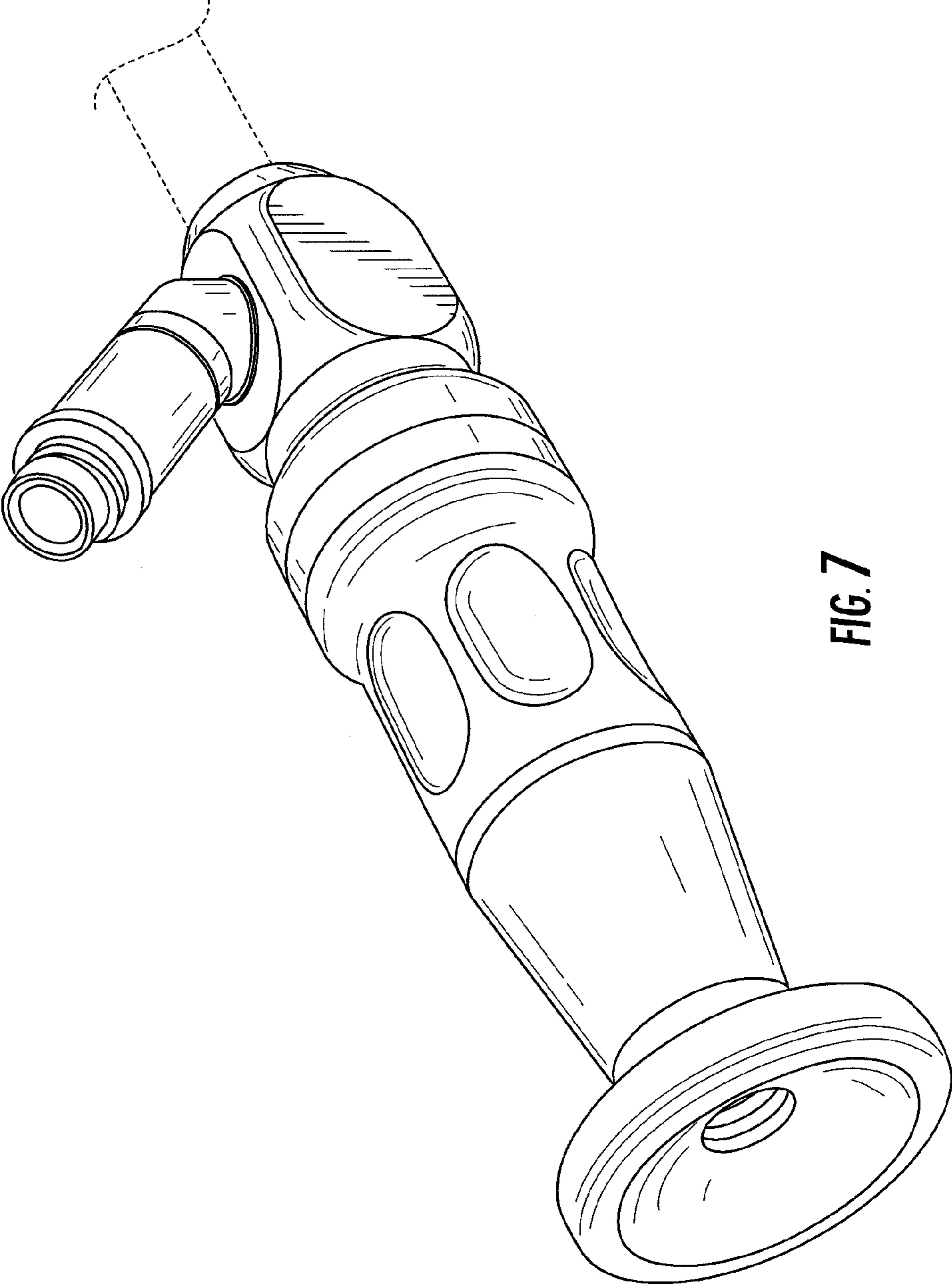


FIG. 7